



US00D740189S

(12) **United States Design Patent**
Lopez-Ross

(10) **Patent No.:** **US D740,189 S**

(45) **Date of Patent:** **** Oct. 6, 2015**

(54) **AUXILIARY VEHICLE SUN VISOR**

(71) Applicant: **Gloria Lopez-Ross**, Poteet, TX (US)

(72) Inventor: **Gloria Lopez-Ross**, Poteet, TX (US)

(**) Term: **14 Years**

(21) Appl. No.: **29/482,484**

(22) Filed: **Feb. 19, 2014**

(51) **LOC (10) Cl.** **12-16**

(52) **U.S. Cl.**
USPC **D12/191**

(58) **Field of Classification Search**
USPC D12/191, 181, 183-185, 106, 417,
D12/311-312; 296/97.1-97.8, 180.1;
160/370.21-370.23
CPC B60J 3/02; B60J 3/0208
See application file for complete search history.

(56) **References Cited**

U.S. PATENT DOCUMENTS

5,611,591	A	3/1997	Van Devender	
5,842,748	A	12/1998	Cummins	
6,325,443	B1	12/2001	Sanchez	
D476,609	S *	7/2003	Gibson	D12/191
D501,655	S *	2/2005	Tuccinardi et al.	D14/129
D524,206	S *	7/2006	Hohney	D12/191
D526,259	S *	8/2006	Votz	D12/191
D546,743	S *	7/2007	Wisco	D12/191

D558,655	S *	1/2008	Kawamata	D12/191
D594,394	S *	6/2009	Kawamata	D12/191
D658,569	S *	5/2012	Horton	D12/191
D681,525	S *	5/2013	Atwell	D12/191
D683,290	S *	5/2013	Sanchez	D12/191
D691,079	S *	10/2013	Oswald	D12/191

* cited by examiner

Primary Examiner — Katrina A Betton

(74) *Attorney, Agent, or Firm* — Crossley Patent Law

(57) **CLAIM**

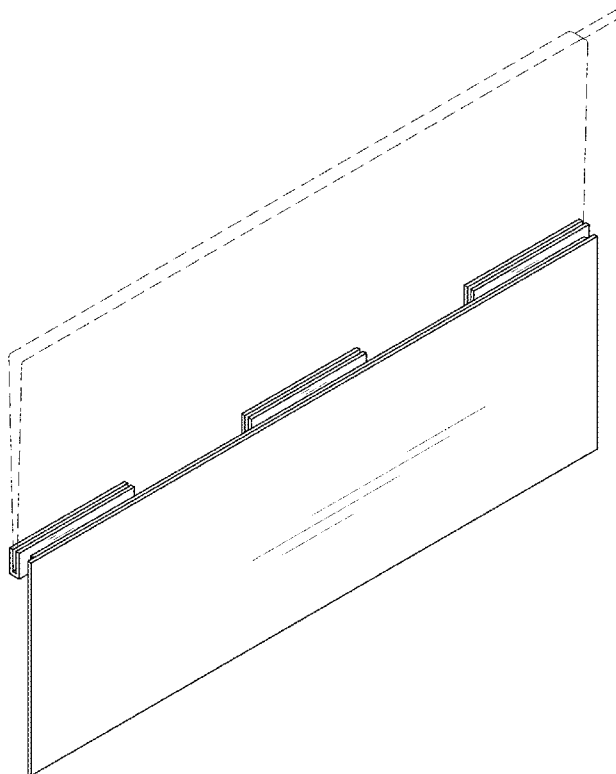
The ornamental design for an auxiliary vehicle sun visor, as shown and described.

DESCRIPTION

FIG. 1 is a front elevation view of an auxiliary vehicle sun visor showing my new design with a glare shield and a plurality of clips separated for clarity; FIG. 2 is a rear elevation view thereof; FIG. 3 is a right side elevation view thereof, the opposite side being a mirror image of the shown; FIG. 4 is a top plan view thereof; FIG. 5 is bottom plan view thereof; FIG. 6 is an isometric view thereof; and, FIG. 7 is an in use view.

The broken lines in FIG. 7 of the drawings depict a vehicle sun visor as environmental subject matter only and form no part of the claimed design.

1 Claim, 6 Drawing Sheets



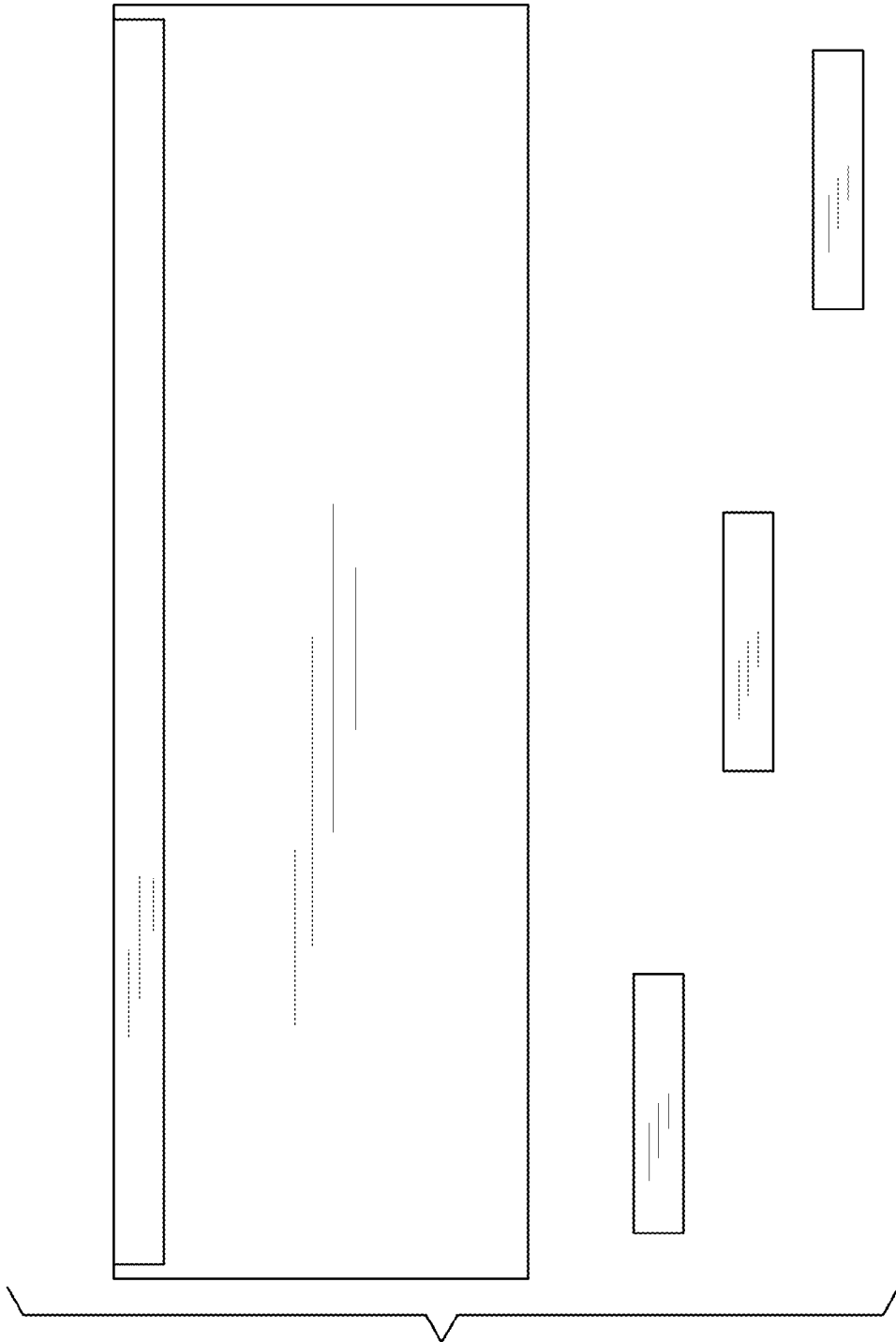


FIG. 1

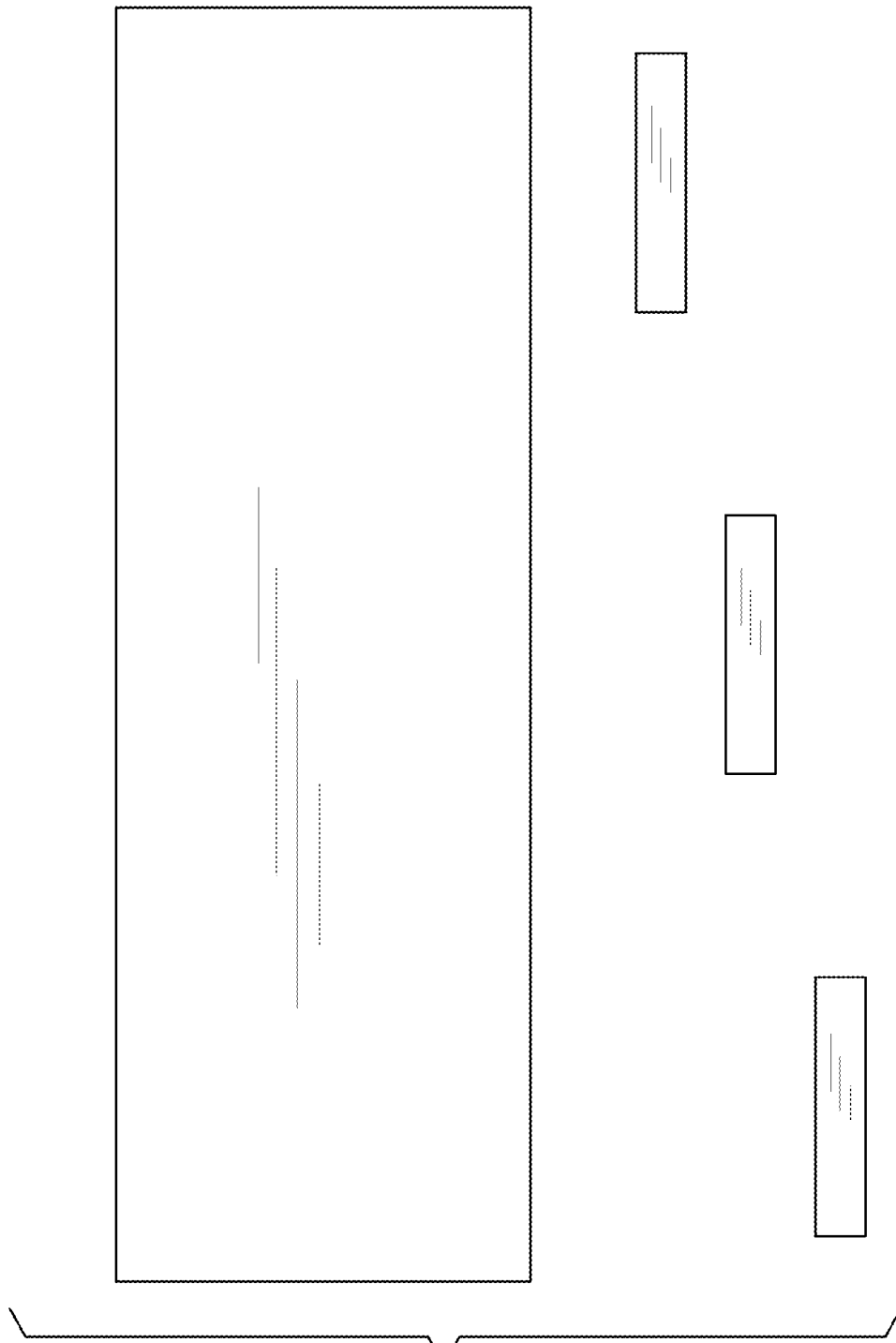


FIG. 2

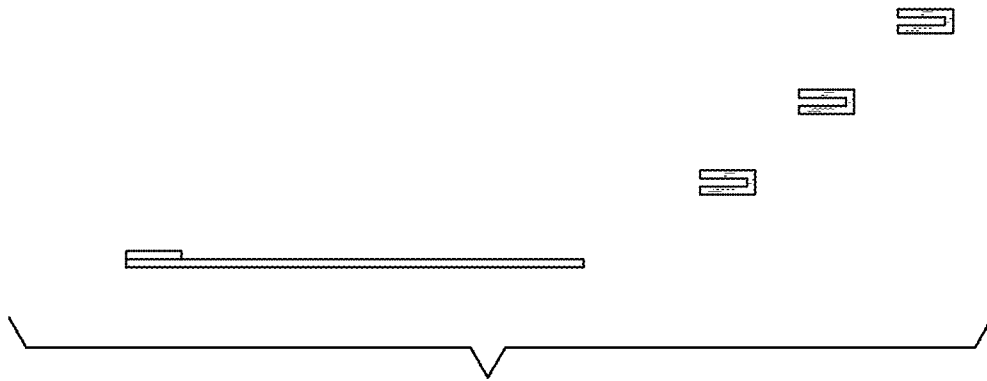


FIG. 3

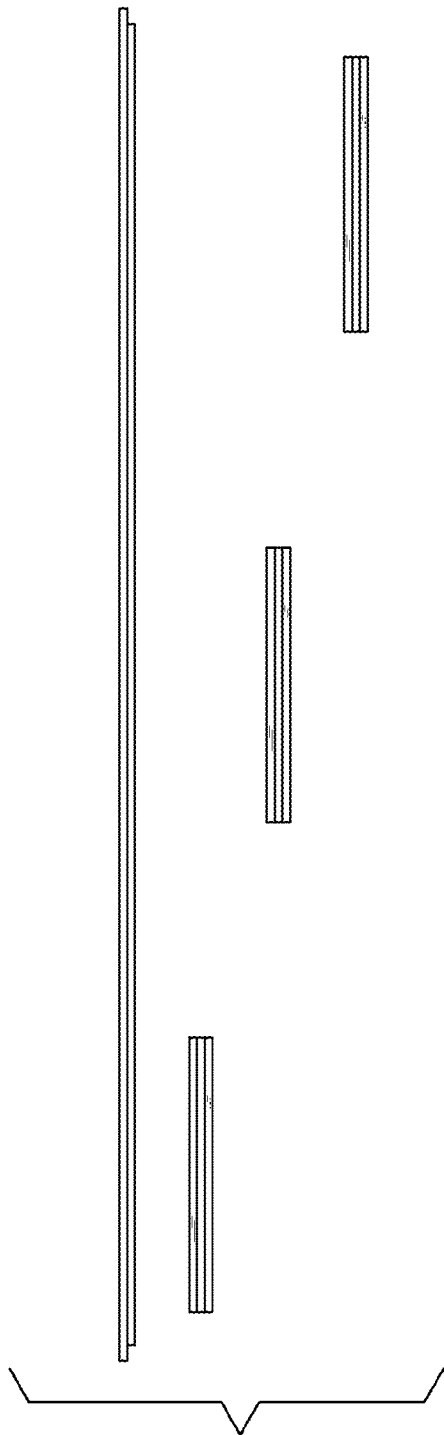


FIG. 4

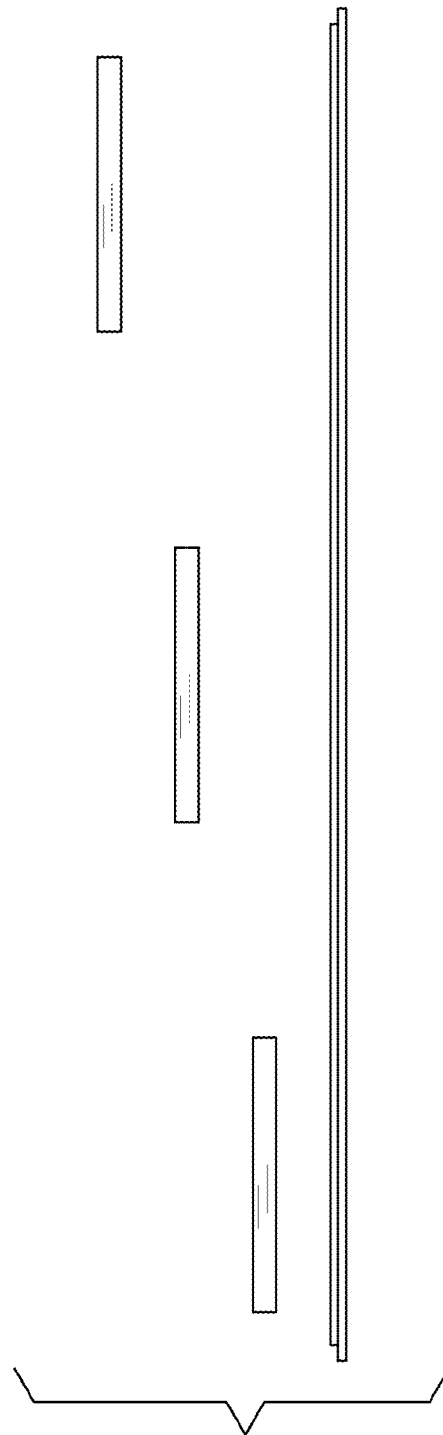
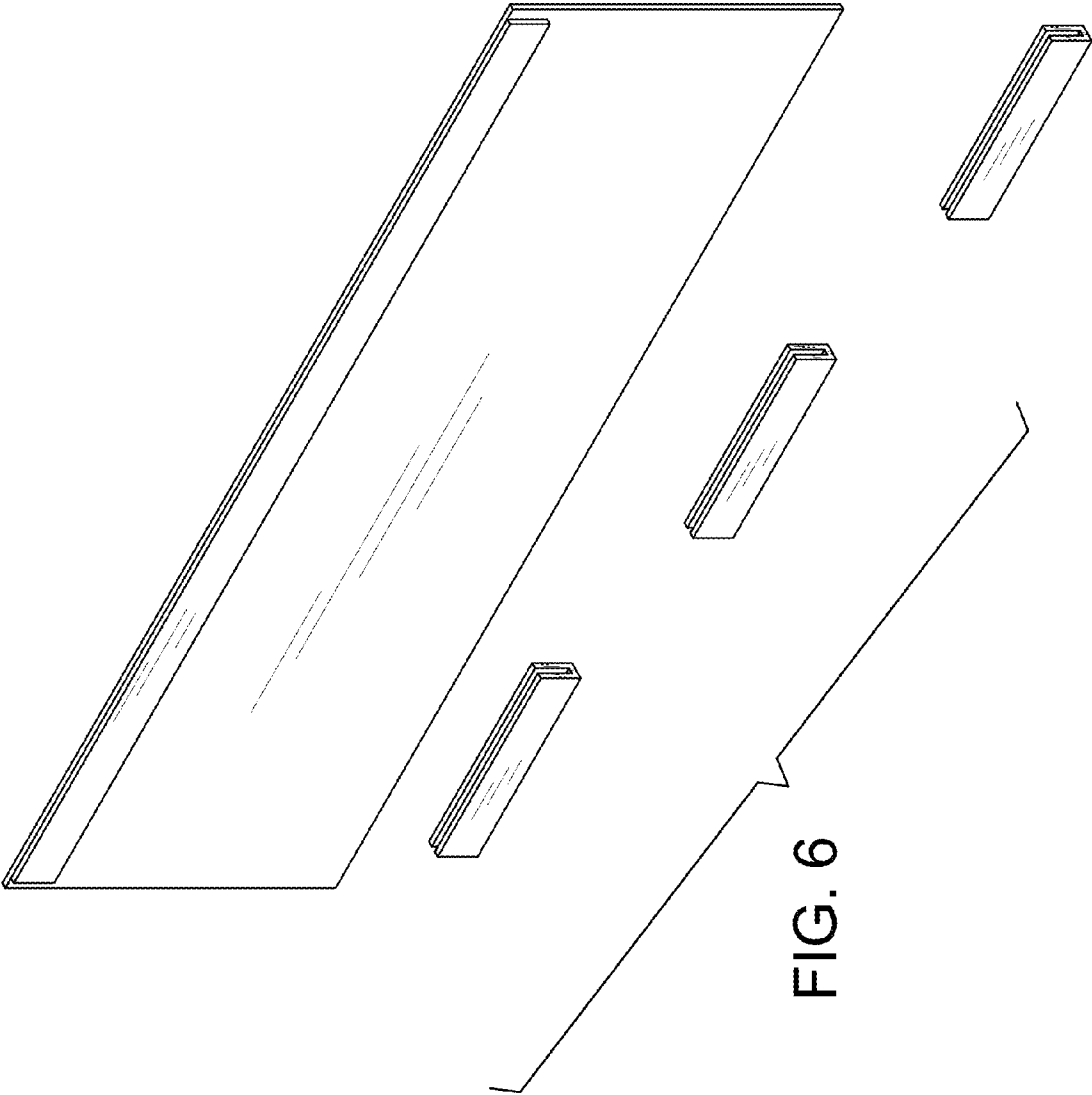


FIG. 5



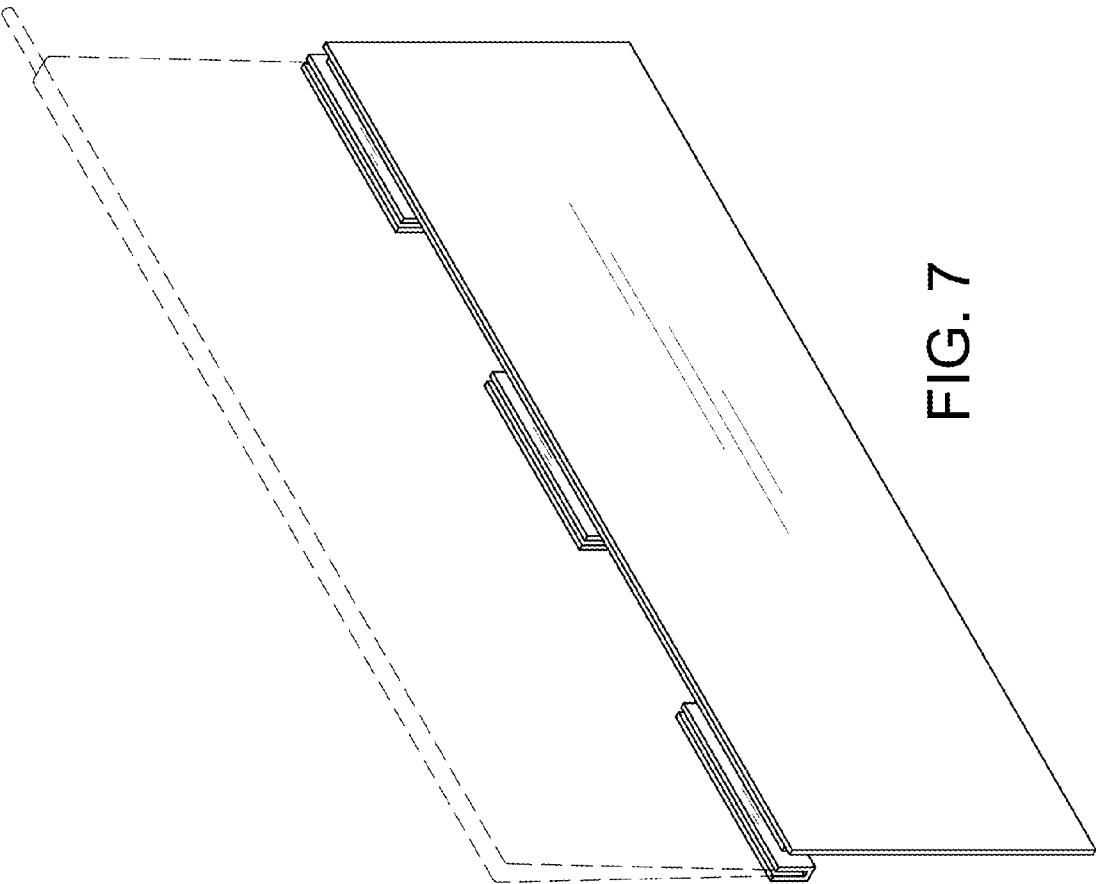


FIG. 7