



US0D1044449S

(12) **United States Design Patent**
Zivanovic

(10) **Patent No.:** **US D1,044,449 S**

(45) **Date of Patent:** **** Oct. 1, 2024**

(54) **CIRCULAR SAW**

(71) Applicant: **Nanjing Chervon Industry Co., Ltd.**,
Nanjing (CN)

(72) Inventor: **Slobodan Zivanovic**, Naperville, IL
(US)

(73) Assignee: **Nanjing Chervon Industry Co., Ltd.**,
Nanjing (CN)

(**) Term: **15 Years**

(21) Appl. No.: **29/836,841**

(22) Filed: **Apr. 29, 2022**

(30) **Foreign Application Priority Data**

Nov. 1, 2021 (CN) 202130714635.9

(51) **LOC (14) Cl.** **08-03**

(52) **U.S. Cl.**
USPC **D8/66**

(58) **Field of Classification Search**
USPC D8/61, 66, 67, 68
CPC B27B 9/00; B27B 9/02; B27B 5/02; B27B
5/18; B27B 33/08; B28D 1/04; B28D
1/045; B23D 45/00
See application file for complete search history.

(56) **References Cited**

U.S. PATENT DOCUMENTS

D559,645 S * 1/2008 Okuda B27G 19/04
D8/66
D699,088 S * 2/2014 Abe D8/66
D814,899 S * 4/2018 Suzuki D8/66

D829,523 S * 10/2018 Kosugi D8/66
D849,495 S * 5/2019 Taniguchi D8/66
D860,745 S * 9/2019 Turner D8/66
D861,451 S * 10/2019 Wang D8/66
D861,452 S * 10/2019 Cooper D8/66
D862,187 S * 10/2019 Borrás Marques D8/66
D863,917 S * 10/2019 Yang D8/66
D863,918 S * 10/2019 Takahashi D8/66
D883,056 S * 5/2020 Turner D8/66
D959,225 S * 8/2022 Nakamura D8/66
D959,226 S * 8/2022 Suzuki D8/66
D977,934 S * 2/2023 Bitsch D8/66
D995,251 S * 8/2023 Xu D8/66
2018/0207832 A1* 7/2018 Masatoshi B25F 5/02
2023/0116313 A1* 4/2023 McDonald H02K 7/145
30/390
2023/0198067 A1* 6/2023 McCurry B23D 45/16
30/166.3

* cited by examiner

Primary Examiner — Philip S Hyder

(74) *Attorney, Agent, or Firm* — Greenberg Traurig, LLP

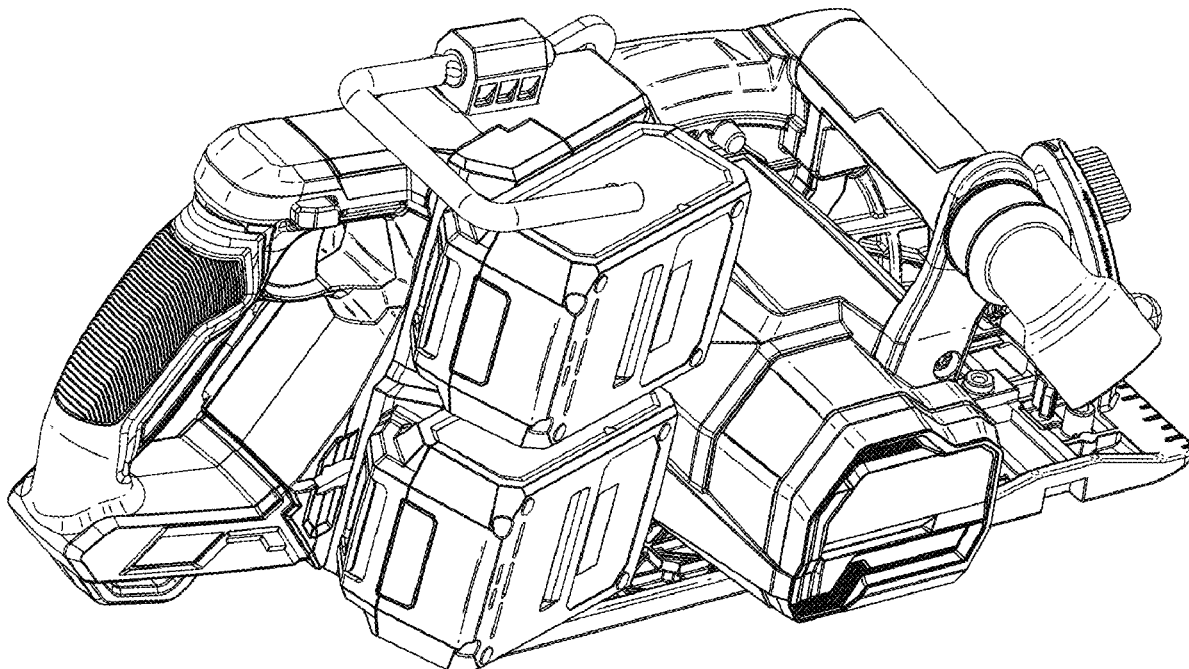
(57) **CLAIM**

What is claimed is the ornamental design for a circular saw,
as shown and described.

DESCRIPTION

FIG. 1 is a left side view of a circular saw showing my new design;
FIG. 2 is a right side elevational view thereof;
FIG. 3 is a front elevational view thereof,
FIG. 4 is a rear elevational view thereof;
FIG. 5 is a top plan view thereof,
FIG. 6 is bottom plan view thereof; and,
FIG. 7 is a perspective view thereof.

1 Claim, 7 Drawing Sheets



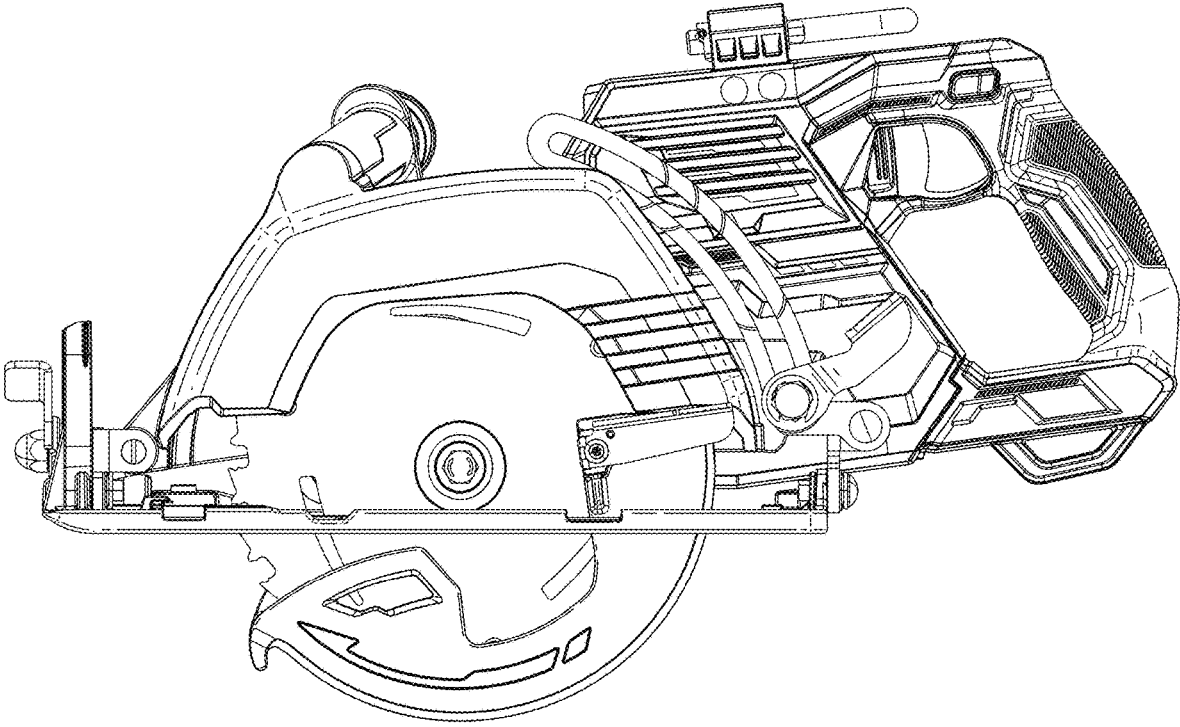


FIG. 1

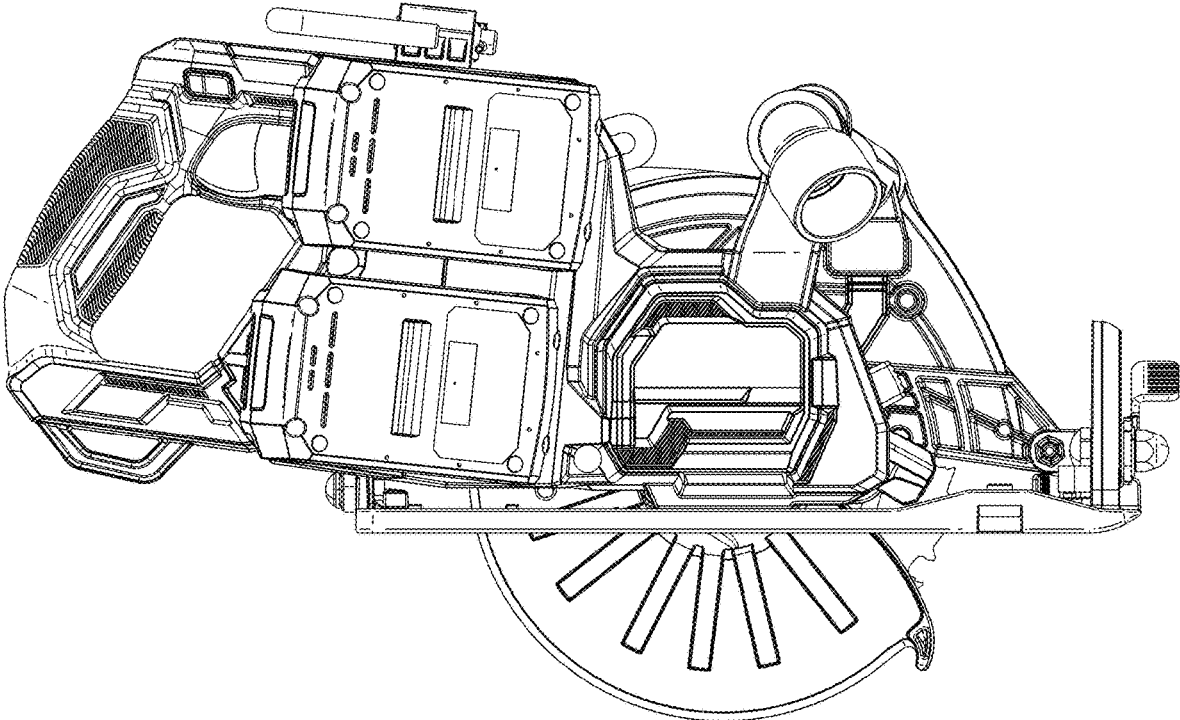


FIG. 2

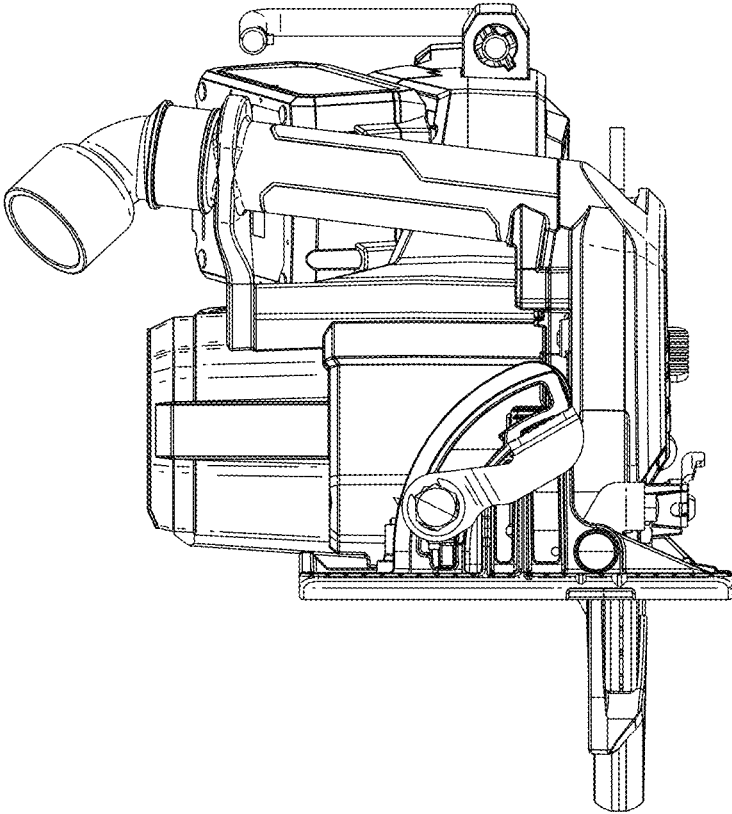


FIG. 3

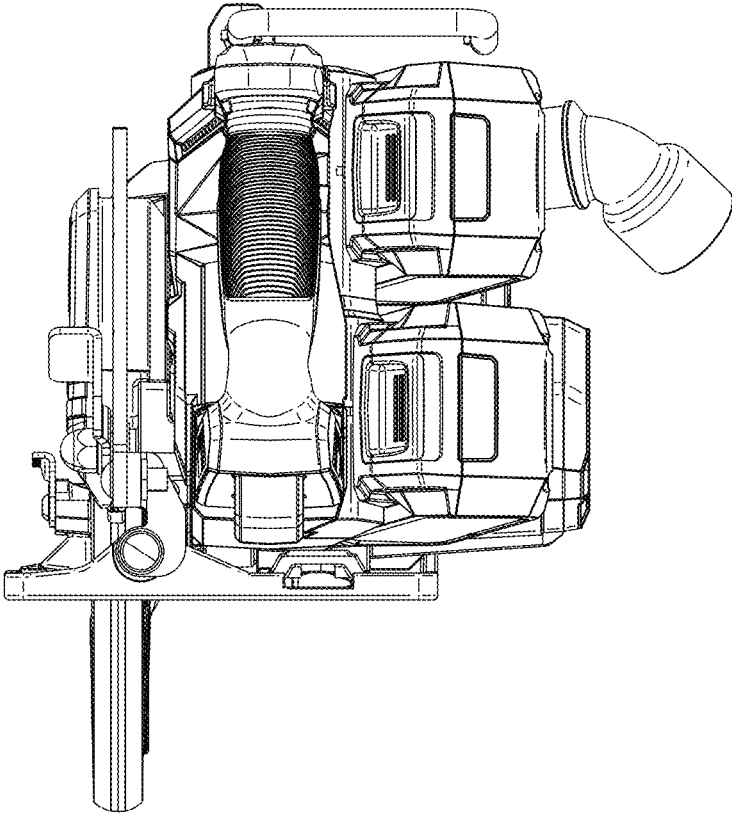


FIG. 4

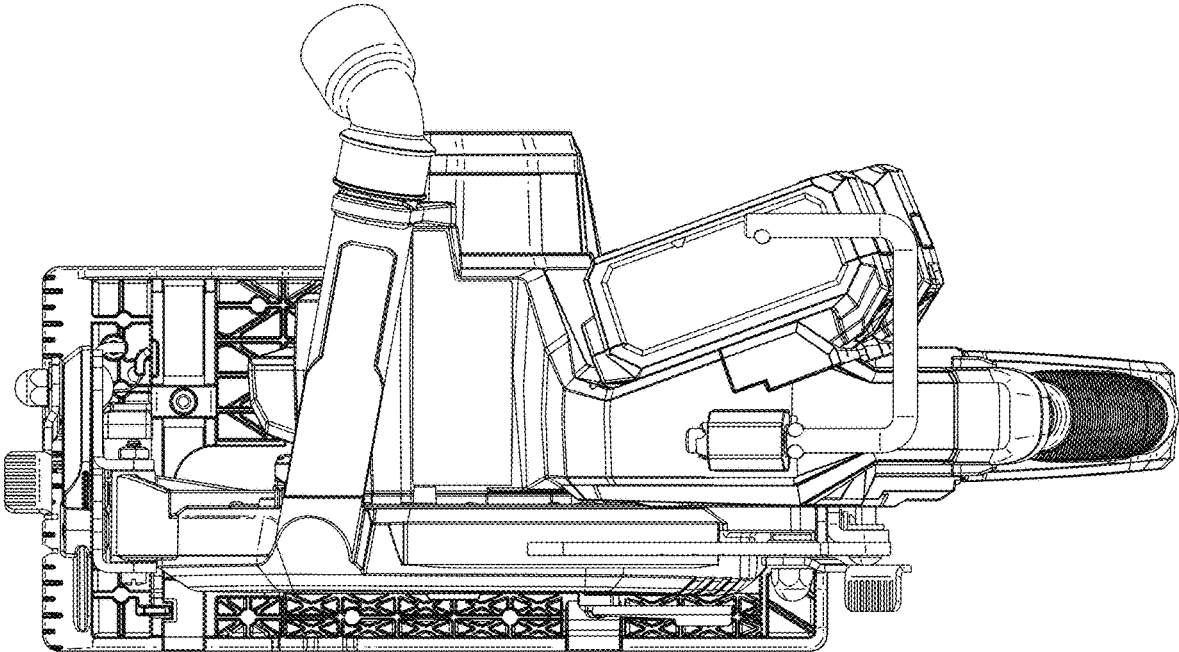


FIG. 5

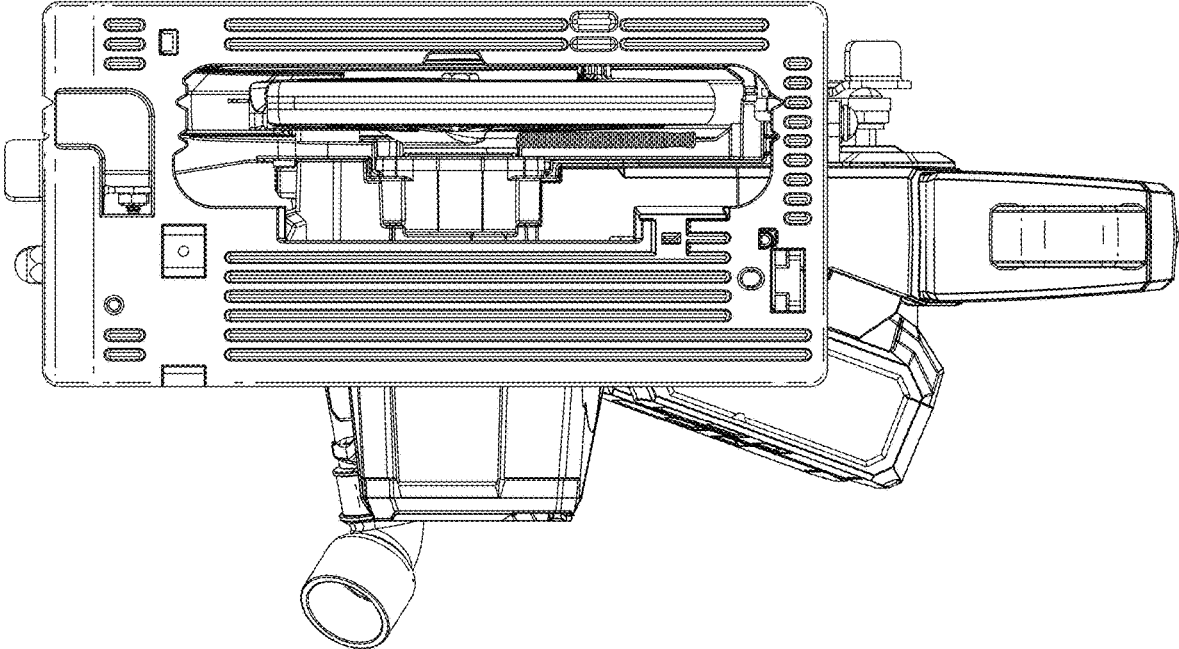


FIG. 6

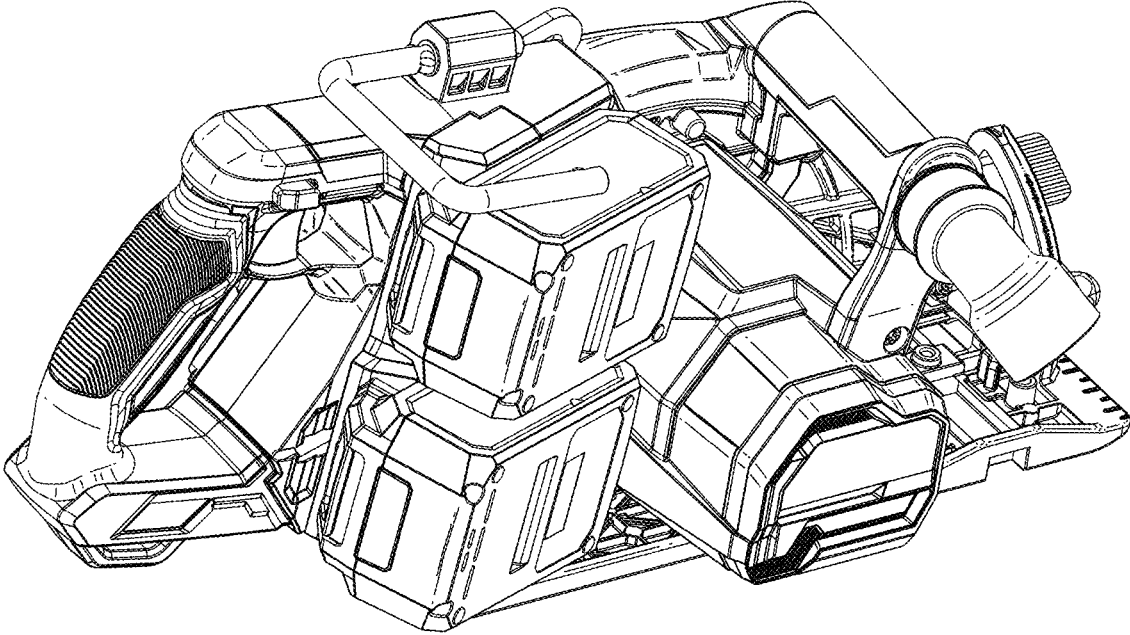


FIG. 7