



US00D983233S

(12) **United States Design Patent**
Sap et al.

(10) **Patent No.:** **US D983,233 S**

(45) **Date of Patent:** **** Apr. 11, 2023**

(54) **TRACTOR**

(71) Applicant: **AGCO International GmbH,**
Neuhausen (CH)

(72) Inventors: **Bruno Sap,** Haute Epine (FR); **Elie Villain,** Beauvais (FR)

(73) Assignee: **AGCO International GmbH,**
Neuhausen (CH)

(**) Term: **15 Years**

(21) Appl. No.: **29/783,924**

(22) Filed: **May 17, 2021**

(51) **LOC (14) Cl.** **12-09**

(52) **U.S. Cl.**
USPC **D15/23**

(58) **Field of Classification Search**
USPC D15/10, 11, 13-17, 28, 22-26, 30, 31;
D12/173

CPC B62D 49/00-085; B62D 25/10; B62D
25/00; B60R 19/52; B60R 21/38

See application file for complete search history.

(56) **References Cited**

U.S. PATENT DOCUMENTS

D729,282 S *	5/2015	Sasaki	D15/31
D729,851 S *	5/2015	Kushita	D15/23
D748,677 S *	2/2016	Kushita	D15/26
D749,645 S *	2/2016	Okuyama	D15/26
D753,730 S *	4/2016	Margutti	D15/23
D754,210 S *	4/2016	Margutti	D15/23
D777,215 S *	1/2017	Moritaka	D15/26

D783,059 S *	4/2017	Okuyama	D15/23
D785,050 S *	4/2017	Okuyama	D15/26
D785,051 S *	4/2017	Okuyama	D15/26
D799,562 S *	10/2017	Okuyama	D15/31
D804,539 S *	12/2017	Okuyama	D15/31
D855,664 S *	8/2019	Okuyama	D15/31
D878,428 S *	3/2020	Furuki	D15/26
D886,875 S *	6/2020	Kuwa	D15/31
D900,884 S *	11/2020	Palma	B62D 49/06 D15/26
D909,425 S *	2/2021	Park	D15/31
D910,086 S *	2/2021	Keen	D15/33
D910,088 S *	2/2021	Futagami	B60H 1/00378 D15/33
D937,327 S *	11/2021	Futagami	A01B 51/026 D15/33

* cited by examiner

Primary Examiner — Mark A Goodwin

(57) **CLAIM**

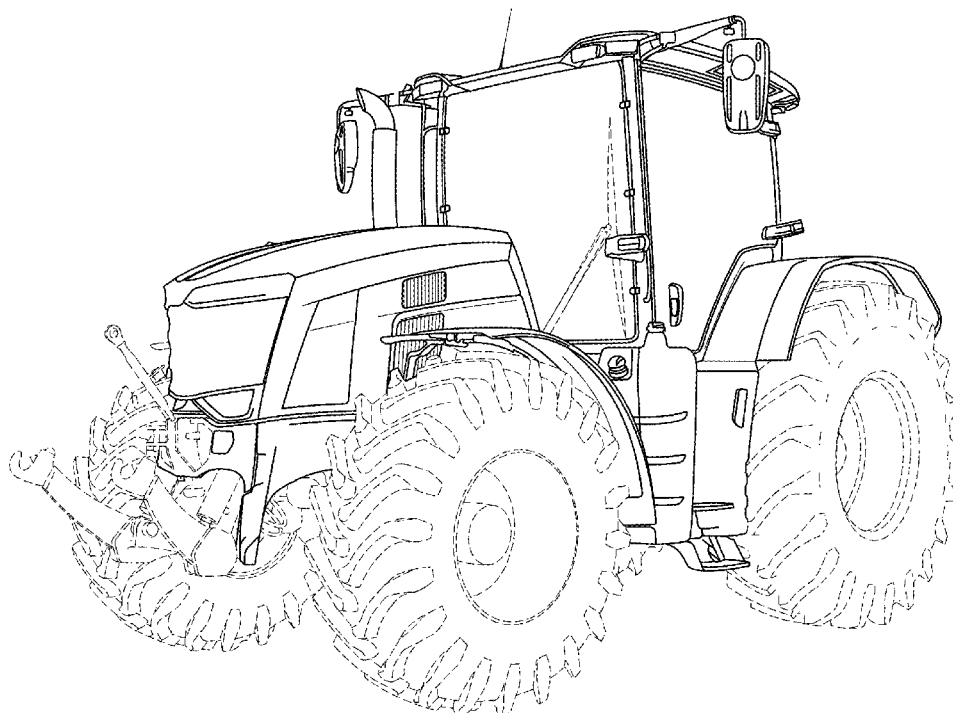
The ornamental design for a tractor, as shown and described.

DESCRIPTION

FIG. 1 is a front, left perspective view of a tractor;
FIG. 2 is a rear, left perspective view of the tractor;
FIG. 3 is a left side view of the tractor;
FIG. 4 is a front view of the tractor;
FIG. 5 is a rear view of the tractor; and,
FIG. 6 is a top view of the tractor.

The broken line showing of the windshield wiper, wheels, and lower mechanical portions of the frame, and is included for the purpose of illustrating unclaimed portions of the tractor and forms no part of the claimed design.

1 Claim, 6 Drawing Sheets



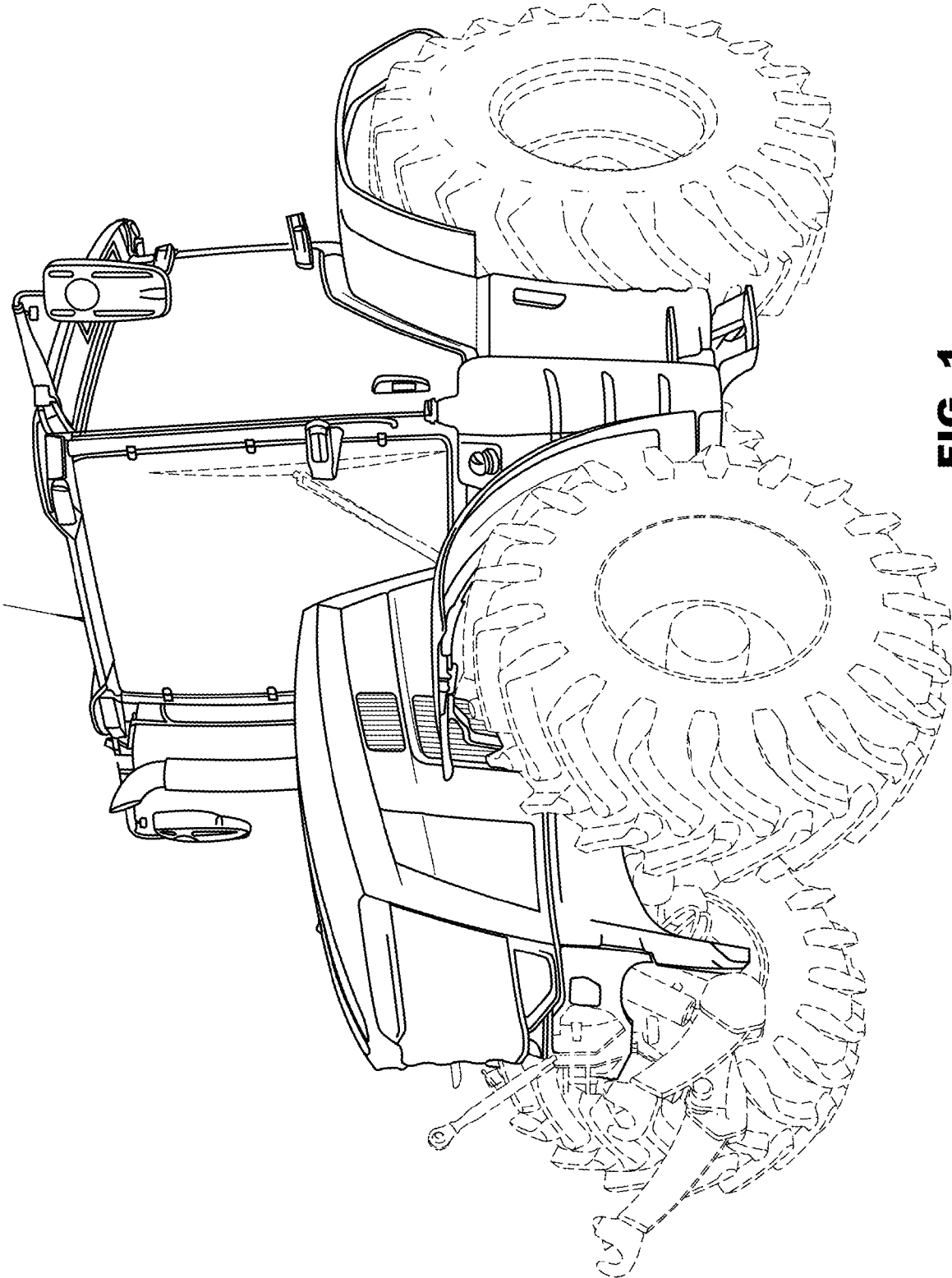


FIG. 1

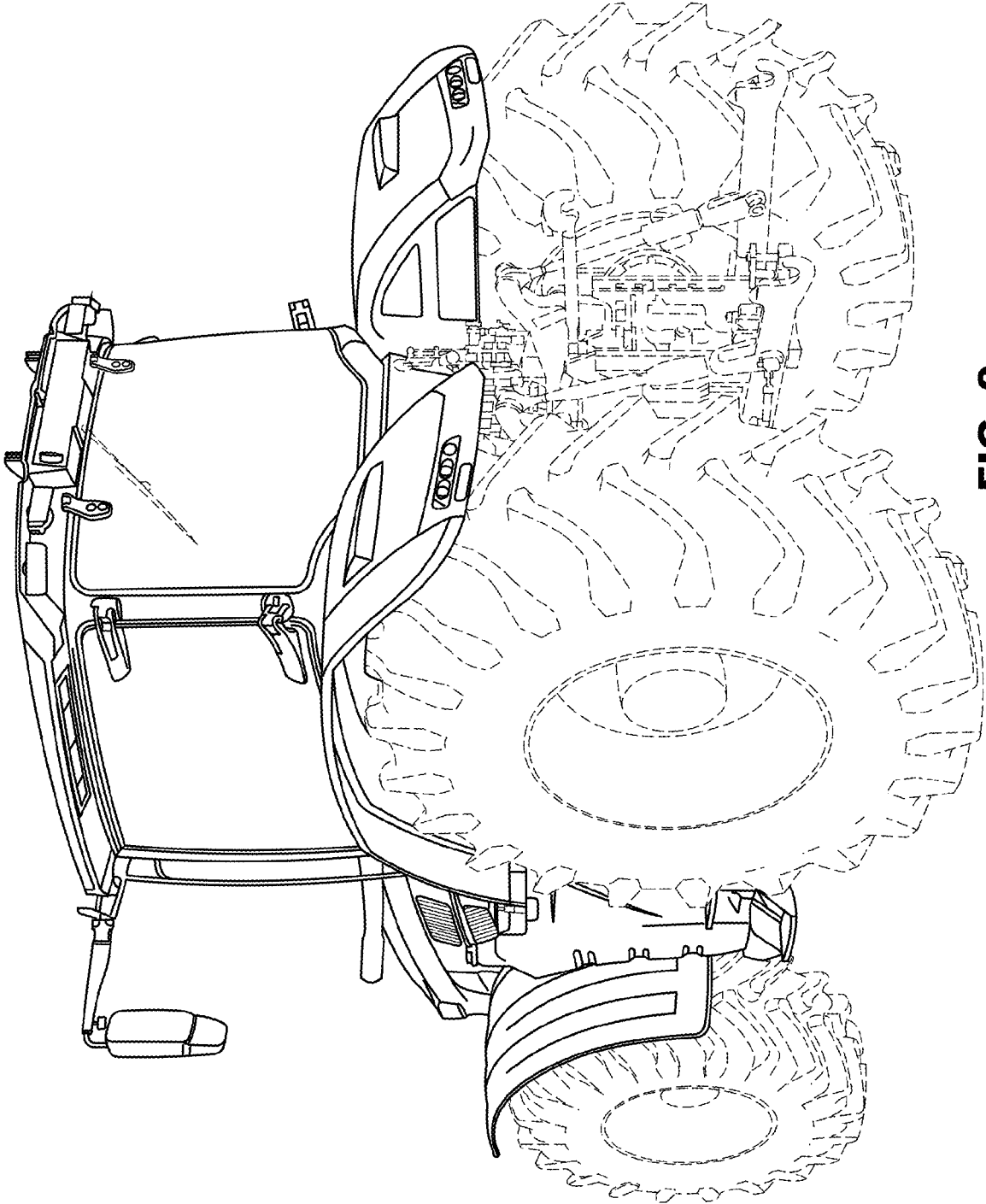


FIG. 2

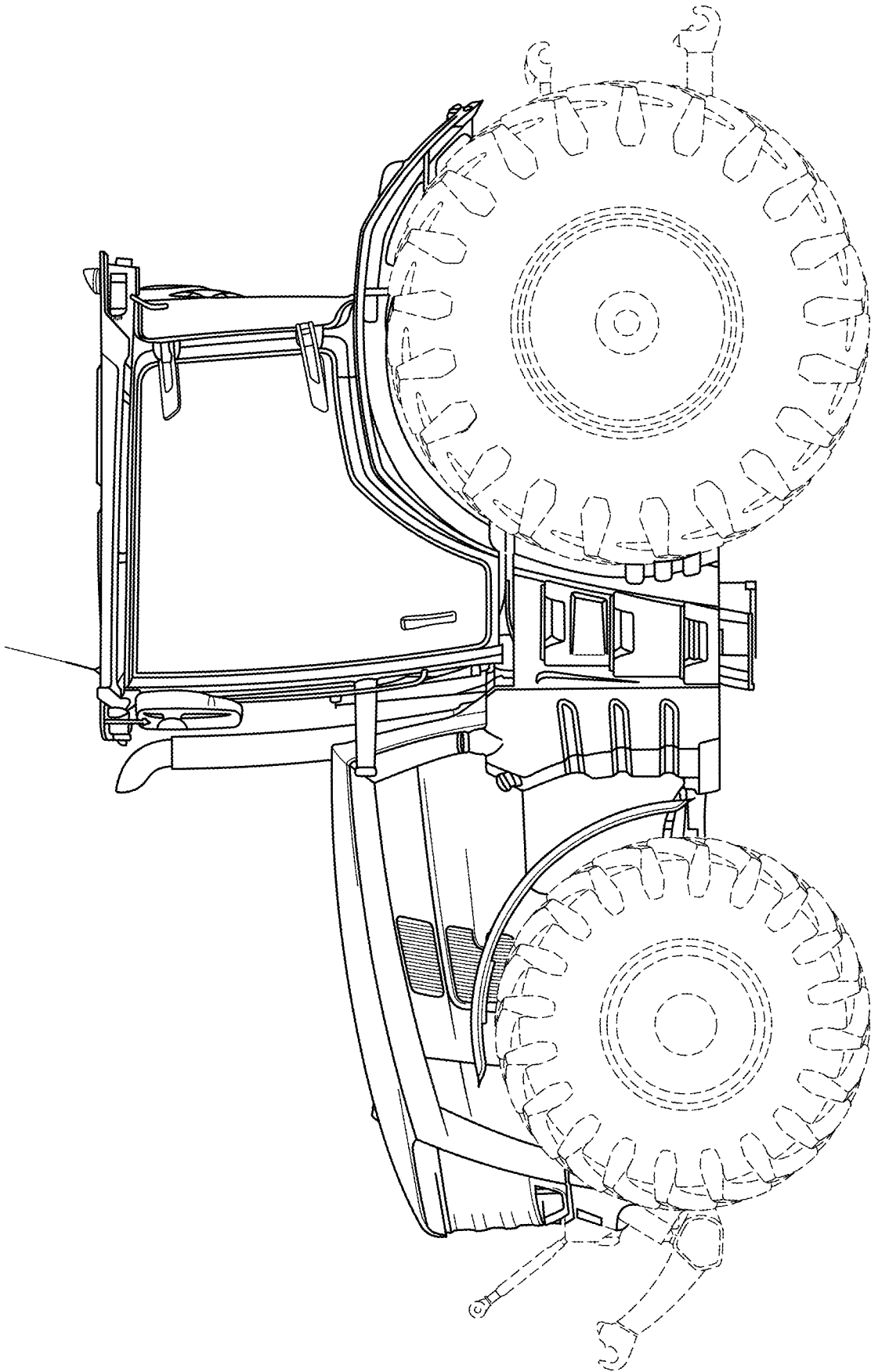


FIG. 3

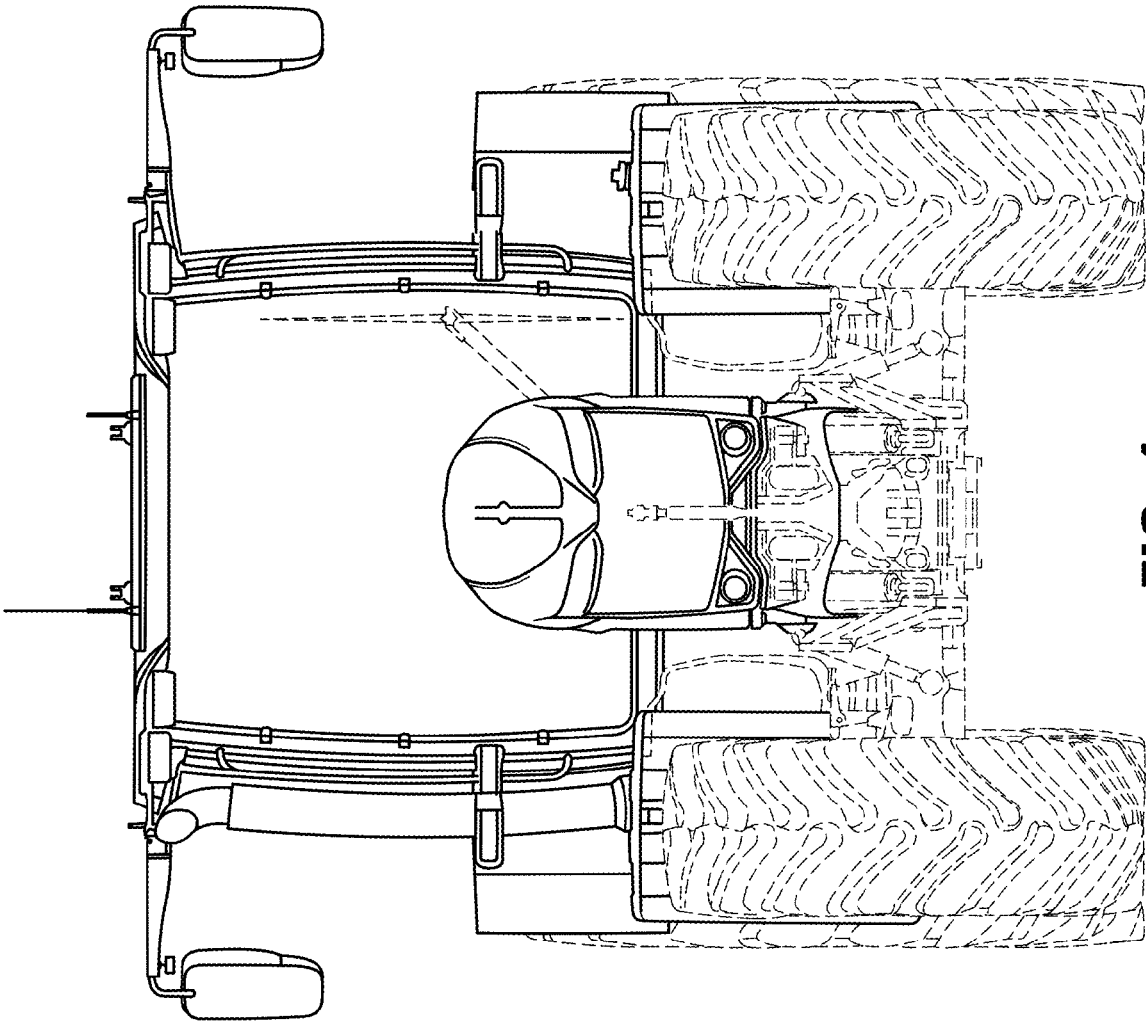


FIG. 4

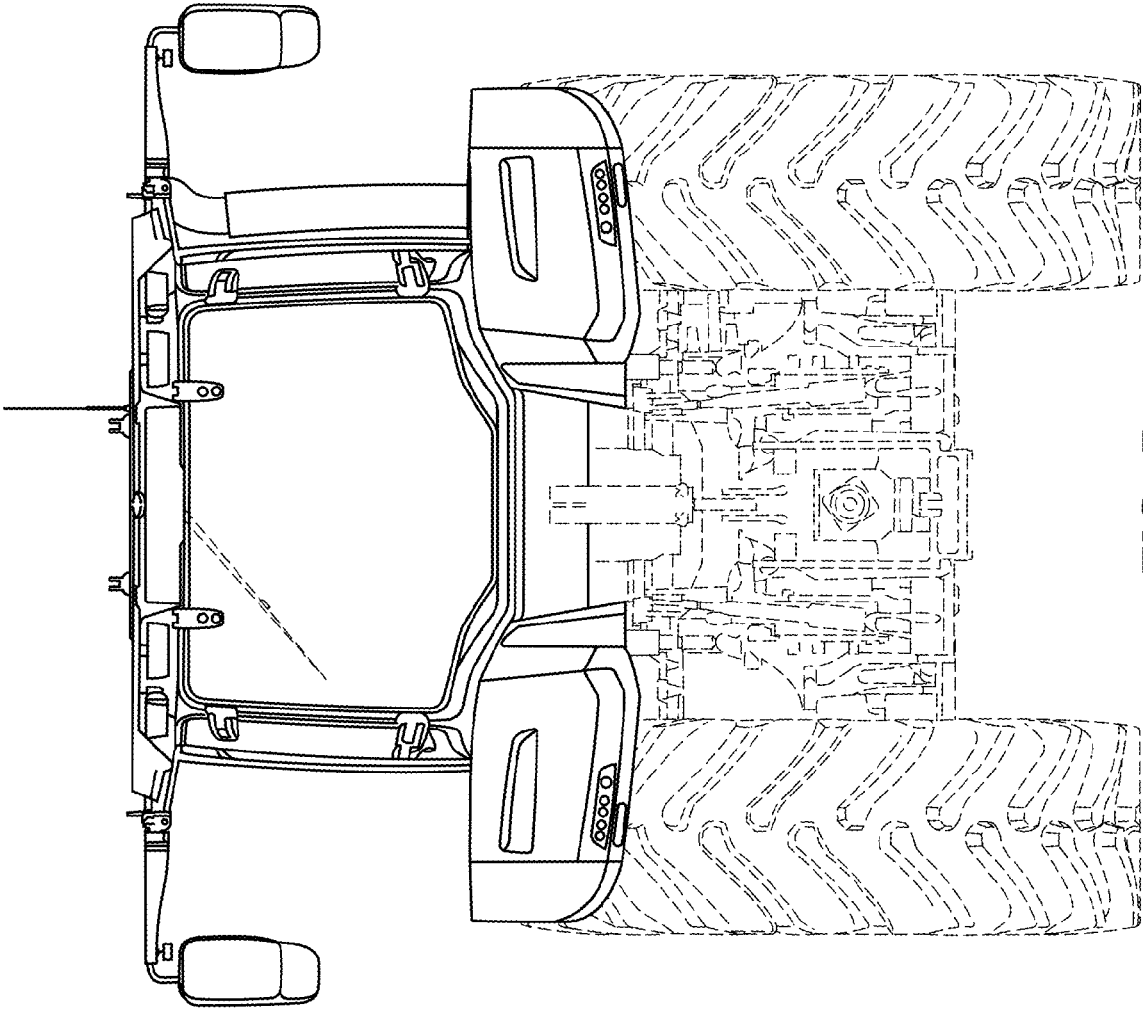


FIG. 5

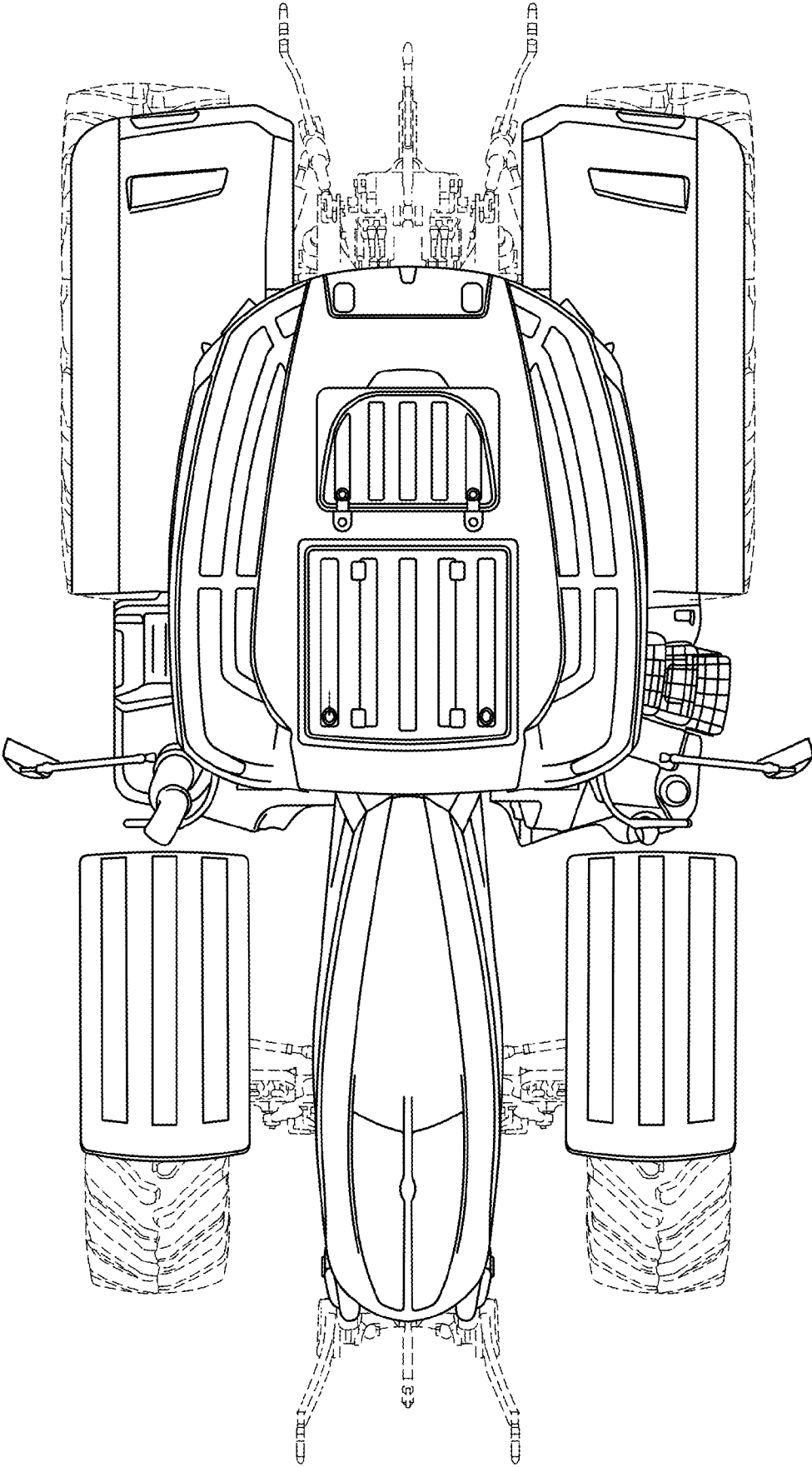


FIG. 6