



US00D836349S

(12) **United States Design Patent**
Kanhasamy

(10) **Patent No.:** **US D836,349 S**

(45) **Date of Patent:** **** Dec. 25, 2018**

(54) **CONVERTIBLE SOFA WITH ADJUSTABLE ARMS**

(71) Applicant: **Abedan Kanhasamy**, Mississauga (CA)

(72) Inventor: **Abedan Kanhasamy**, Mississauga (CA)

(**) Term: **15 Years**

(21) Appl. No.: **29/622,927**

(22) Filed: **Oct. 20, 2017**

(51) **LOC (11) Cl.** **06-01**

(52) **U.S. Cl.**
USPC **D6/335**; D6/381

(58) **Field of Classification Search**
USPC D6/334, 335, 336, 338, 342, 360, 367,
D6/368, 369, 371-375, 377, 378, 381,
D6/382, 383
CPC A47D 11/005; A47C 4/02; A47C 17/04;
A47C 17/045; A47C 17/12; A47C 17/13;
A47C 17/16; A47C 17/22; A47C 17/32
See application file for complete search history.

(56) **References Cited**

U.S. PATENT DOCUMENTS

D180,478 S *	6/1957	Gera	D6/334
D425,711 S *	5/2000	Desombre	D6/334
D431,381 S *	10/2000	Gomez	D6/361
D443,996 S *	6/2001	Nicoletti	D6/335
D444,305 S *	7/2001	Mourgue	
D446,962 S *	8/2001	Mourgue	D6/335
D498,075 S *	11/2004	Mourgue	
D509,370 S *	9/2005	Natuzzi	D6/334
D525,045 S *	7/2006	Natuzzi	D6/381
D527,198 S *	8/2006	Nicoletti	D6/381
D571,563 S *	6/2008	Natuzzi	D6/334
D577,211 S *	9/2008	Natuzzi	D6/334
D592,883 S *	5/2009	Natuzzi	D6/381
D600,468 S *	9/2009	Natuzzi	D6/381
D603,618 S *	11/2009	Weiss	
D603,619 S *	11/2009	Weiss	
D604,957 S *	12/2009	Weiss	

(Continued)

OTHER PUBLICATIONS

Office Action dated Jun. 29, 2017, U.S. Appl. No. 29/565,041, filed May 17, 2016.

(Continued)

Primary Examiner — Deanna L Pratt
(74) *Attorney, Agent, or Firm* — Vierra Magen Marcus LLP

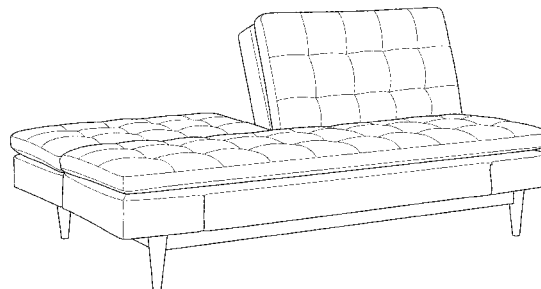
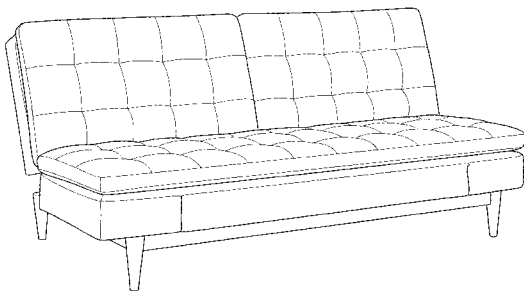
(57) **CLAIM**

The ornamental design of a convertible sofa with adjustable arms, as shown and described.

DESCRIPTION

FIG. 1 is a front perspective view of a new design of a convertible sofa with adjustable arms in a first position; FIG. 2 is a front perspective view of the convertible sofa with adjustable arms in a second position; FIG. 3 is a front perspective view of the convertible sofa with adjustable arms in a third position; FIG. 4 is a front perspective view of the convertible sofa with adjustable arms in a fourth position; FIG. 5 is a front perspective view of the convertible sofa with adjustable arms in a fifth position; FIG. 6 is a front view of the convertible sofa with adjustable arms in the first position; FIG. 7 is a right side view of the convertible sofa with adjustable arms in the first position; FIG. 8 is a left side view of the convertible sofa with adjustable arms in the first position; FIG. 9 is a top view of the convertible sofa with adjustable arms in the first position; FIG. 10 is a bottom view of the convertible sofa with adjustable arms in the third position; and, FIG. 11 is a back perspective view of the convertible sofa with adjustable arms in the first position.

1 Claim, 11 Drawing Sheets



(56)

References Cited

U.S. PATENT DOCUMENTS

D610,366 S 2/2010 Kanthasamy
 D615,315 S 5/2010 Andersen
 D616,214 S 5/2010 Andersen
 D635,791 S * 4/2011 Kanthasamy D6/381
 D635,793 S 4/2011 Kanthasamy
 D635,794 S 4/2011 Kanthasamy
 D639,084 S 6/2011 Andersen
 D642,820 S 8/2011 Andersen
 D643,226 S * 8/2011 Kanthasamy D6/381
 D652,225 S 1/2012 Andersen
 D652,226 S 1/2012 Andersen
 RE43,754 E 10/2012 Andersen
 D675,460 S 2/2013 Kanthasamy
 D676,680 S 2/2013 Arko et al.
 D677,070 S 3/2013 Kanthasamy
 D677,071 S 3/2013 Kanthasamy
 D677,490 S * 3/2013 Manzoni D6/381
 D686,003 S 7/2013 Arko et al.
 D686,012 S * 7/2013 Korb D6/708
 D693,163 S * 11/2013 Kapka D6/709
 D702,953 S * 4/2014 Beucler D6/334
 D718,552 S 12/2014 Kanthasamy
 D719,755 S 12/2014 Kanthasamy

D719,756 S 12/2014 Sonmez
 D721,242 S 1/2015 Sonmez
 D730,656 S 6/2015 Urquiola
 D731,198 S * 6/2015 Podsiadlo D6/381
 D775,848 S 1/2017 Bettin
 D785,359 S * 5/2017 Massaud D6/381
 D799,221 S * 10/2017 Pathiratne D6/335
 D799,222 S * 10/2017 Pathiratne D6/335
 D804,834 S 12/2017 Kanthasamy
 D810,451 S * 2/2018 Liu D6/335

OTHER PUBLICATIONS

Amendment dated Jul. 28, 2017, U.S. Appl. No. 29/565,041, filed May 17, 2016.
 Notice of Allowance dated Sep. 11, 2017, U.S. Appl. No. 29/565,041, filed May 17, 2016.
 U.S. Appl. No. 29/598,734, filed Mar. 28, 2017.
 U.S. Appl. No. 29/630,749, filed Dec. 22, 2017.
 U.S. Appl. No. 29/630,754, filed Dec. 22, 2017.
 U.S. Appl. No. 29/630,755, filed Dec. 22, 2017.
 U.S. Appl. No. 29/630,756, filed Dec. 22, 2017.
 U.S. Appl. No. 29/630,758, filed Dec. 22, 2017.

* cited by examiner

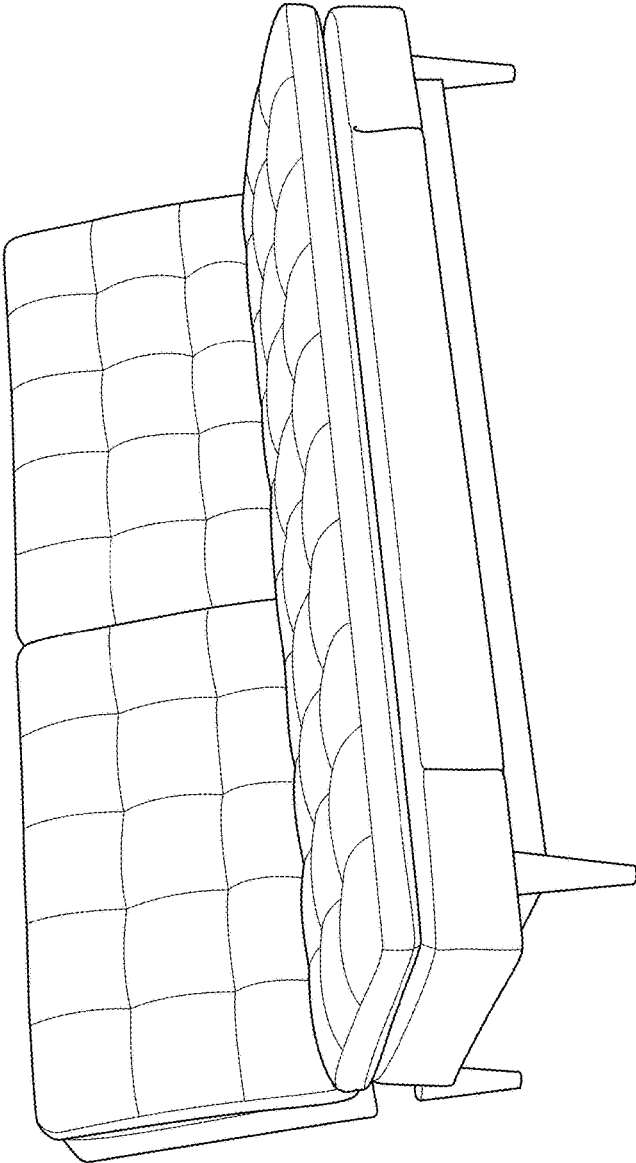


FIGURE 1

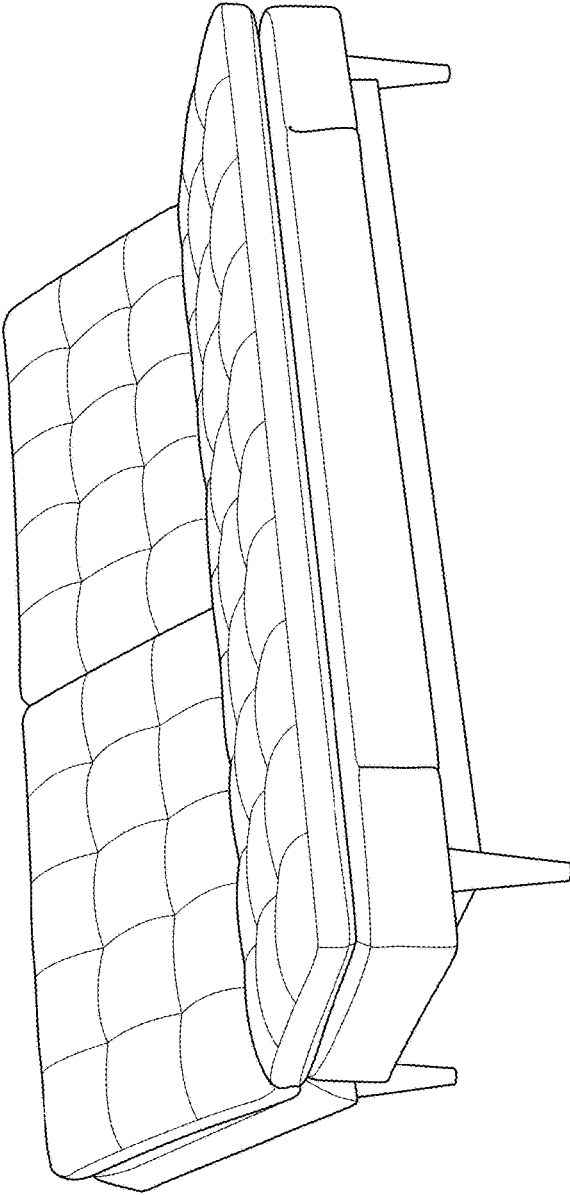


FIGURE 2

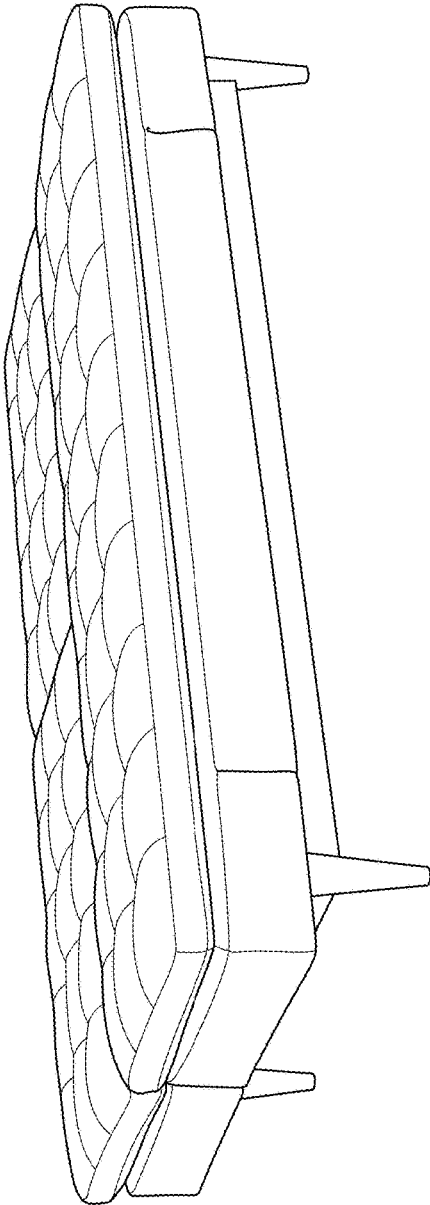


FIGURE 3

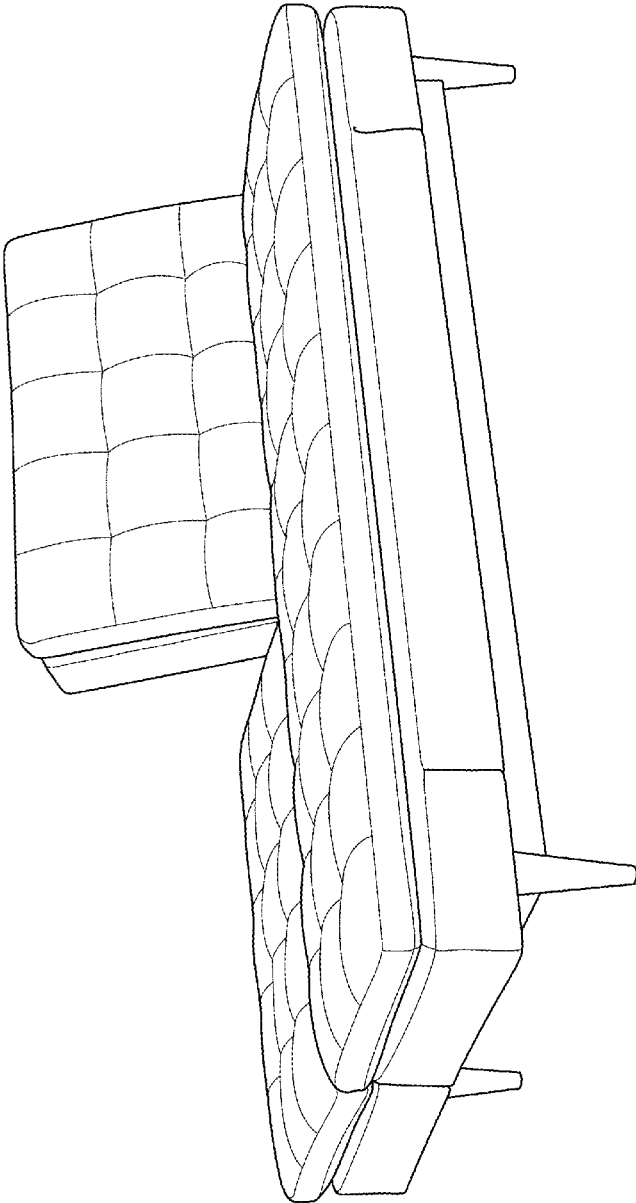


FIGURE 4

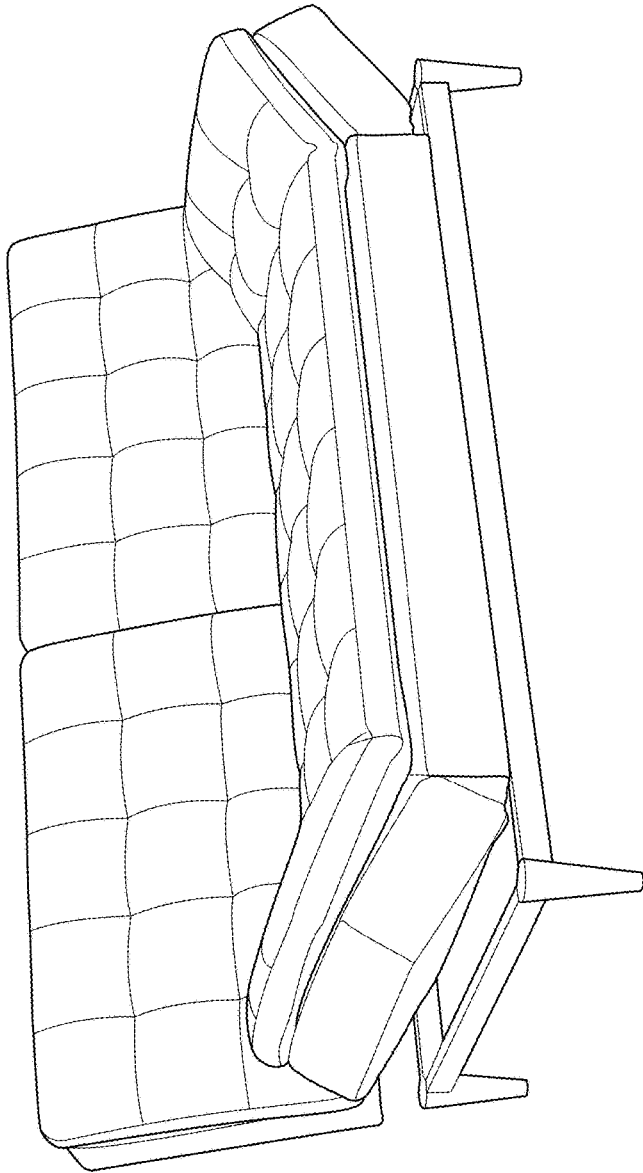


FIGURE 5

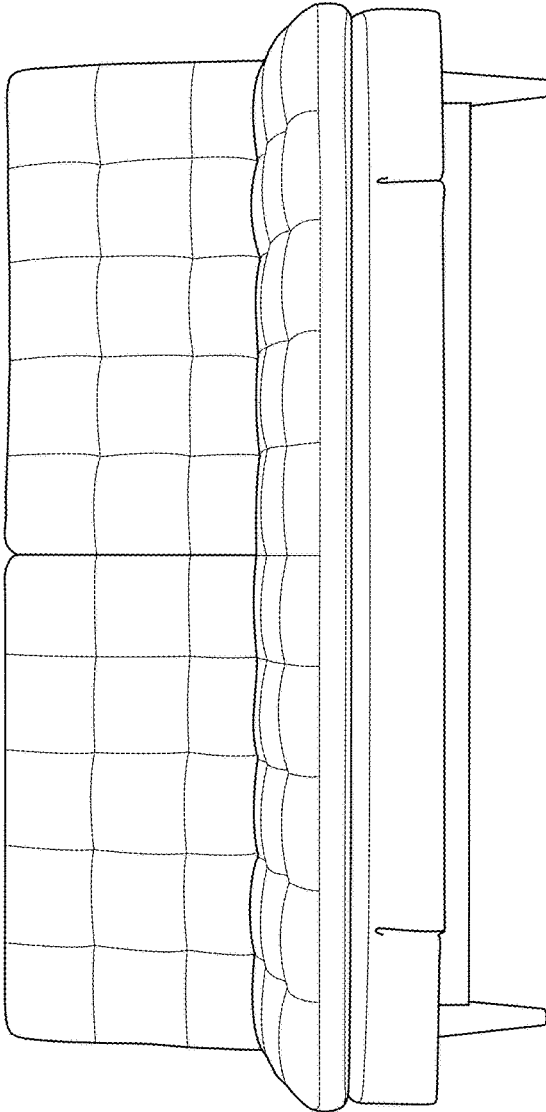


FIGURE 6

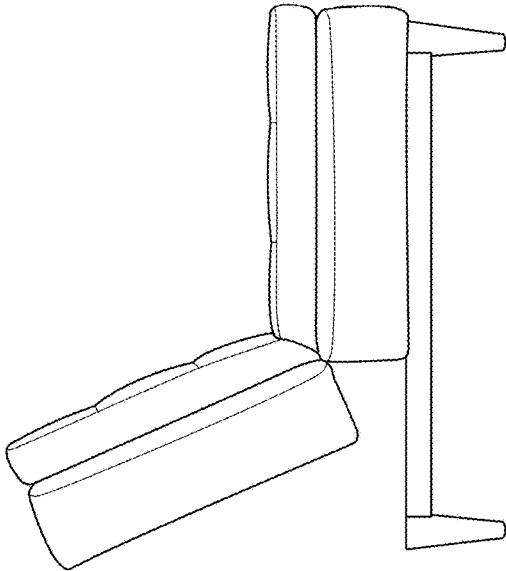


FIGURE 7

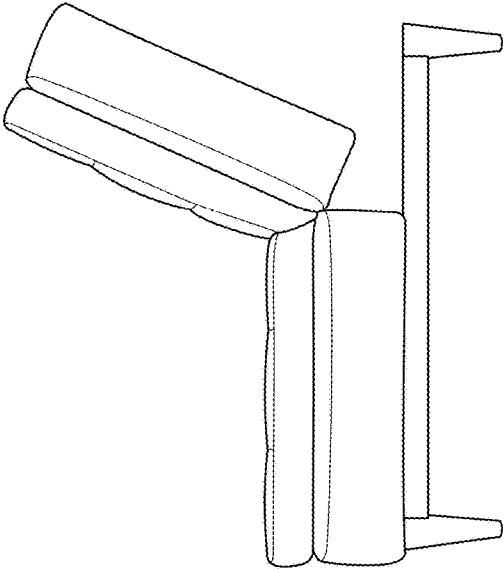


FIGURE 8

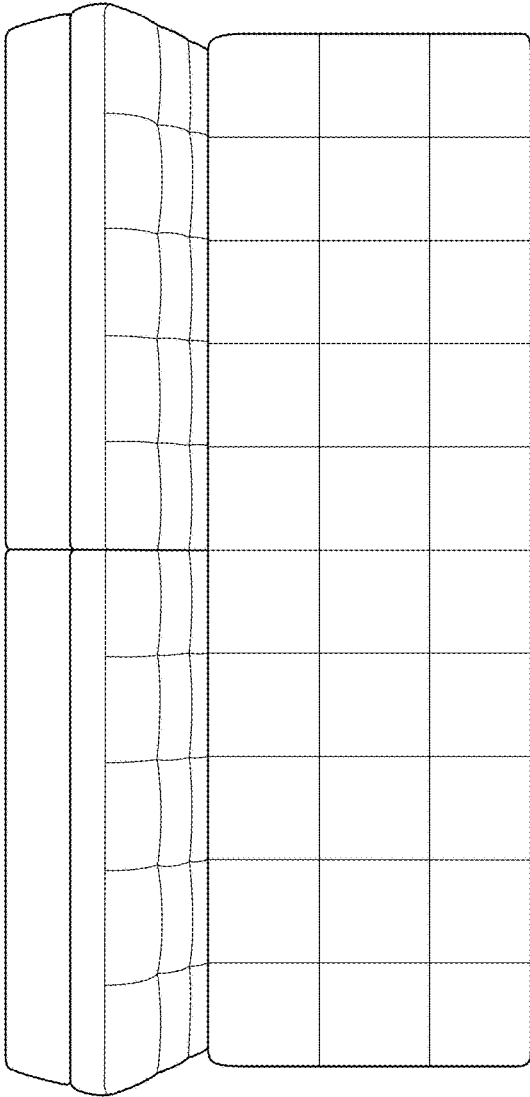


FIGURE 9

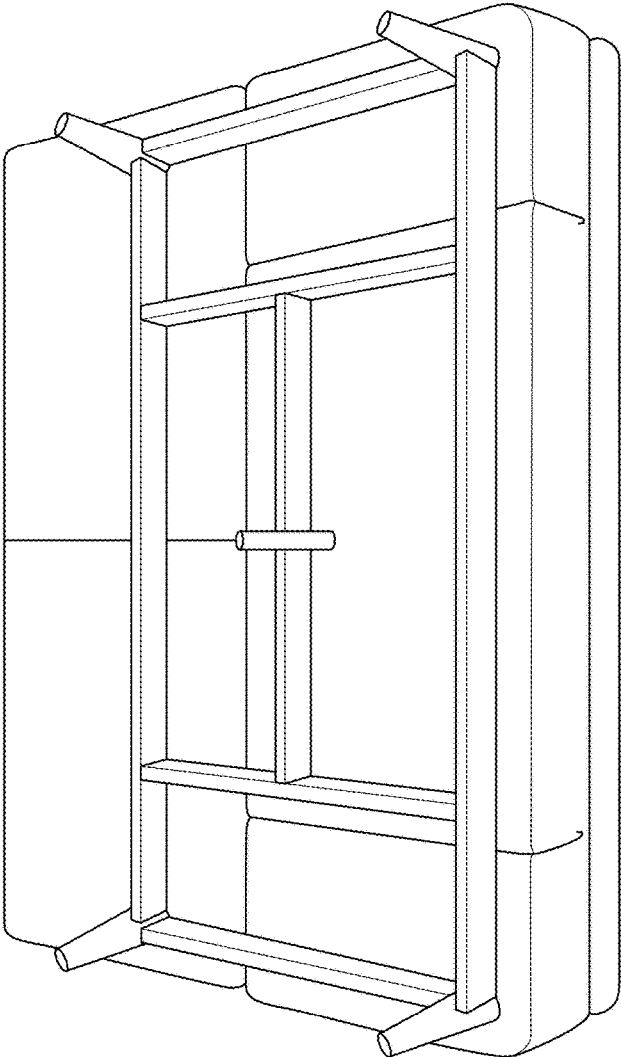


FIGURE 10

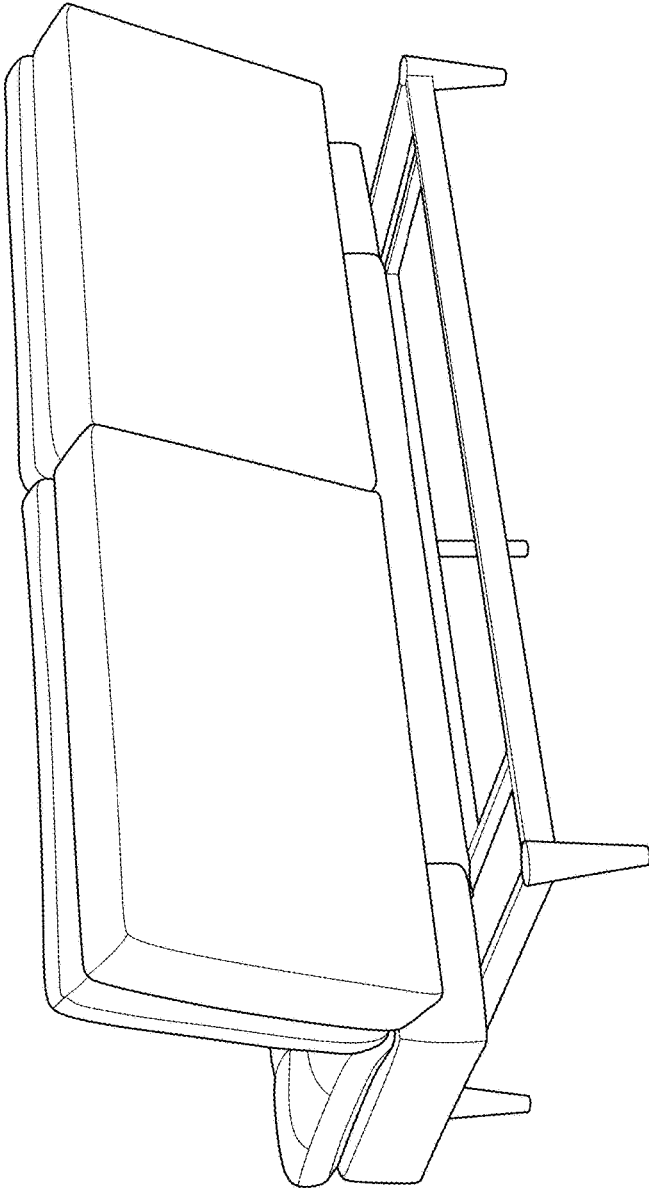


FIGURE 11