



US00D697896S

(12) **United States Design Patent**
Lee et al.

(10) **Patent No.:** US D697,896 S

(45) **Date of Patent:** ** *Jan. 21, 2014

(54) **HEADPHONES**

(75) Inventors: **Noel Lee**, Las Vegas, NV (US);
Kendrew Lee, Hong Kong (CN); **Jacky Hsiung**, San Jose, CA (US); **Man Ting Lo**, Hong Kong (CN)

(73) Assignee: **Monster Cable Products, Inc.**,
Brisbane, CA (US)

(*) Notice: This patent is subject to a terminal disclaimer.

(**) Term: **14 Years**

(21) Appl. No.: **29/422,642**

(22) Filed: **May 22, 2012**

(51) **LOC (10) Cl.** **14-01**

(52) **U.S. Cl.**
USPC **D14/205**

(58) **Field of Classification Search**
USPC D14/205, 206, 223; 181/129, 130, 135;
379/430, 431; 381/380, 381, 383;
455/90.3, 575.1

See application file for complete search history.

(56) **References Cited**

U.S. PATENT DOCUMENTS

D237,307 S *	10/1975	Miyamoto	D14/192
D317,767 S *	6/1991	Banks	D14/205
D583,800 S *	12/2008	Jaakkola et al.	D14/205
D625,705 S *	10/2010	Ohori et al.	D14/205
D632,668 S *	2/2011	Brunner et al.	D14/205
D634,732 S *	3/2011	Kondo et al.	D14/205
D649,527 S *	11/2011	Lee et al.	D14/205
D649,528 S *	11/2011	Park	D14/205
D650,368 S *	12/2011	Lee et al.	D14/223
D651,586 S *	1/2012	Lee et al.	D14/205
D652,406 S *	1/2012	Lee et al.	D14/205

D652,821 S *	1/2012	Lee et al.	D14/223
D653,241 S *	1/2012	Lee et al.	D14/223
D656,480 S *	3/2012	McManigal et al.	D14/205
D658,631 S *	5/2012	Lee et al.	D14/205
D663,716 S *	7/2012	Hardi et al.	D14/205
D666,580 S *	9/2012	Lee et al.	D14/223
D666,992 S *	9/2012	Lee et al.	D14/205
D673,136 S *	12/2012	Kelly et al.	D14/205
D673,532 S *	1/2013	Lee	D14/223
D675,595 S *	2/2013	Cho et al.	D14/205
D680,516 S *	4/2013	Lee	D14/205
D684,139 S *	6/2013	Miyake et al.	D14/205

OTHER PUBLICATIONS

U.S. Appl. No. 29/410,539, filed Jan. 9, 2012, Lee, Noel.

U.S. Appl. No. 29/410,530, filed Jan. 9, 2012, Lee, Noel.

* cited by examiner

Primary Examiner — Paula Greene

(74) *Attorney, Agent, or Firm* — LaRiviere, Grubman & Payne, LLP

(57) **CLAIM**

The ornamental design for headphones, as shown and described.

DESCRIPTION

FIG. 1 is a perspective view of headphones, showing our design;

FIG. 2 is an opposing perspective view thereof;

FIG. 3 is front view thereof;

FIG. 4 is a rear view thereof;

FIG. 5 is a side view thereof;

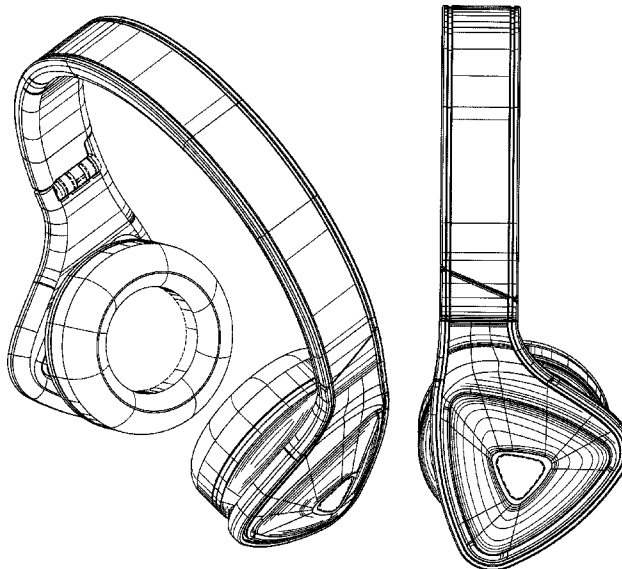
FIG. 6 is an opposing side view thereof;

FIG. 7 is a top view thereof; and,

FIG. 8 is a bottom view thereof.

The broken lines showing the environment are for illustrative purposes only and form no part of the claimed design.

1 Claim, 6 Drawing Sheets



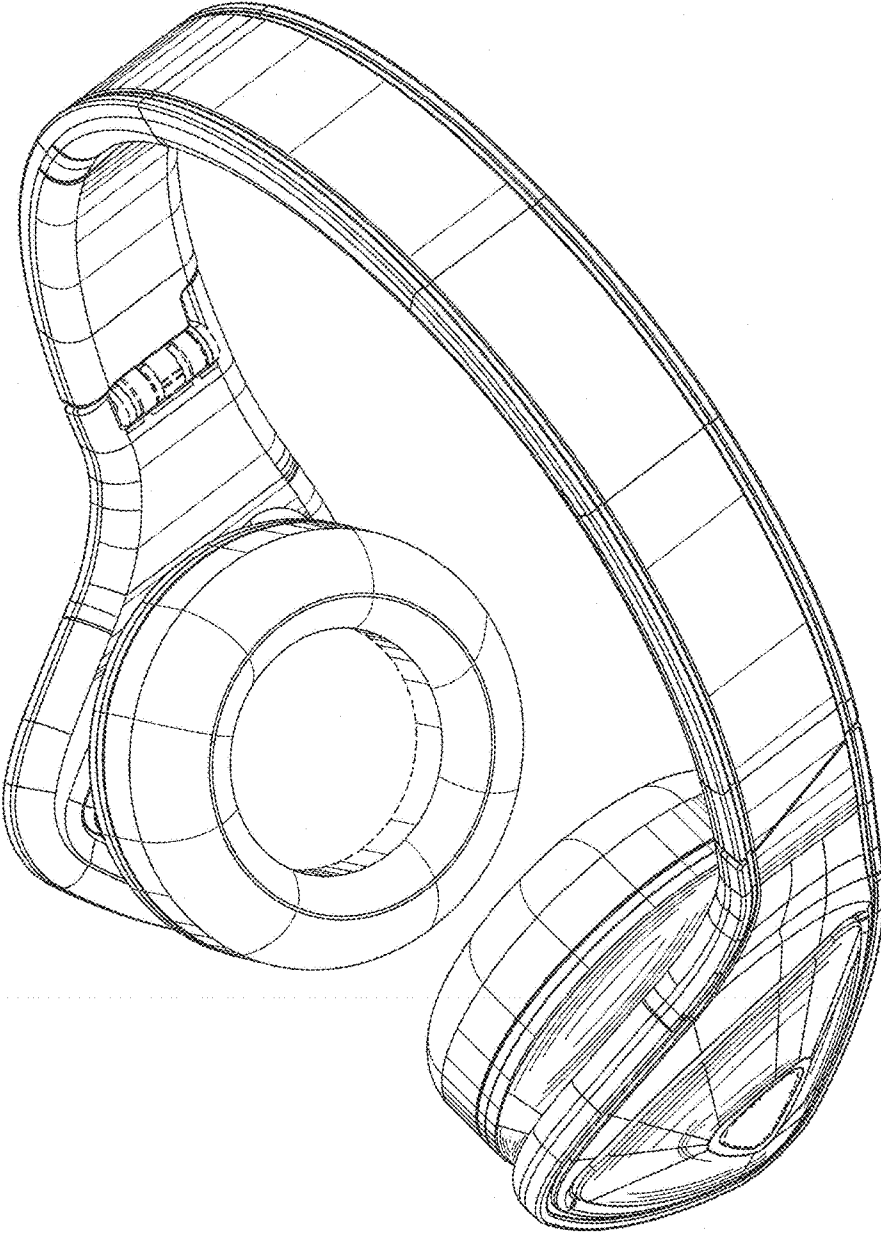


Figure 1

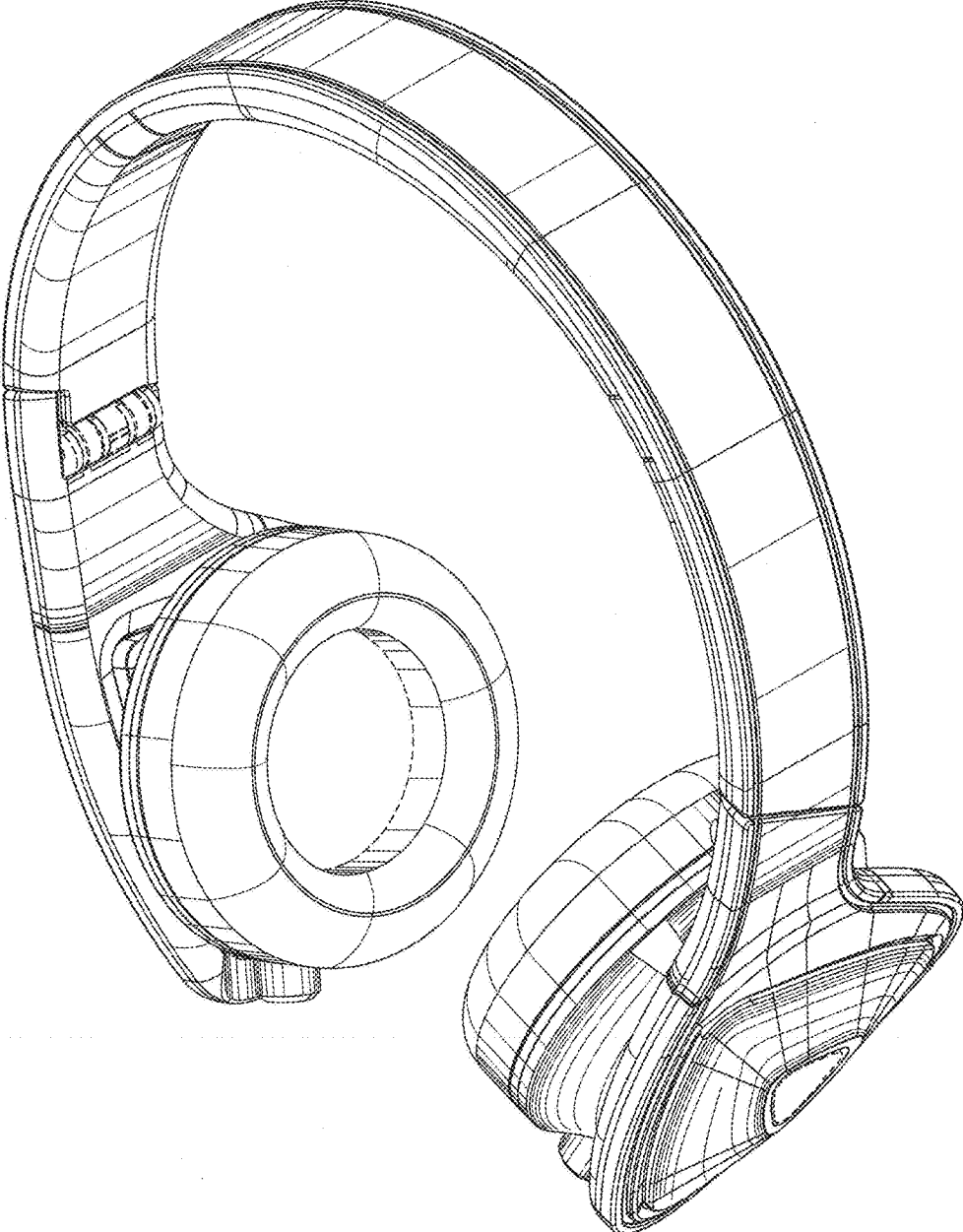


Figure 2



Figure 3



Figure 4

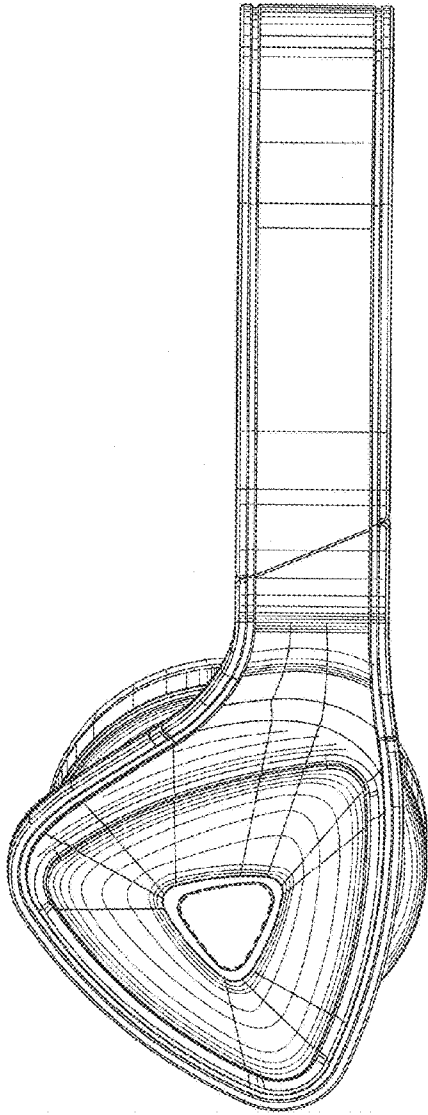


Figure 5

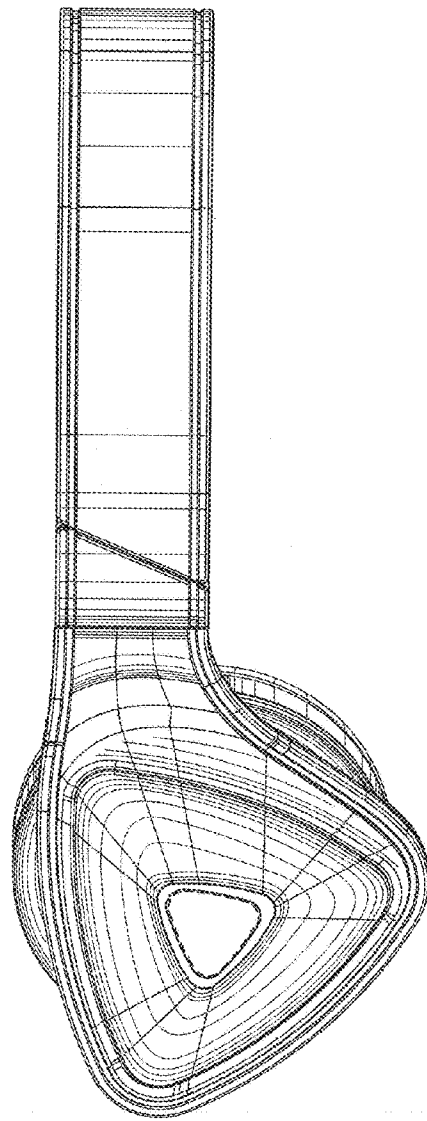


Figure 6

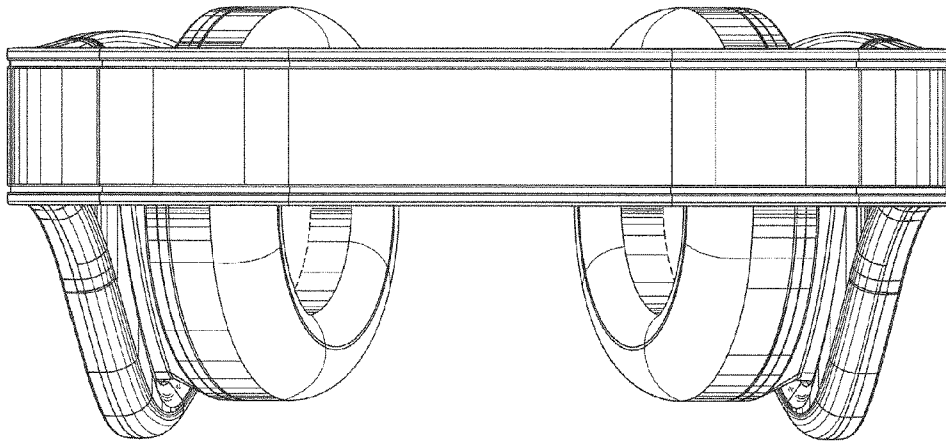


Figure 7

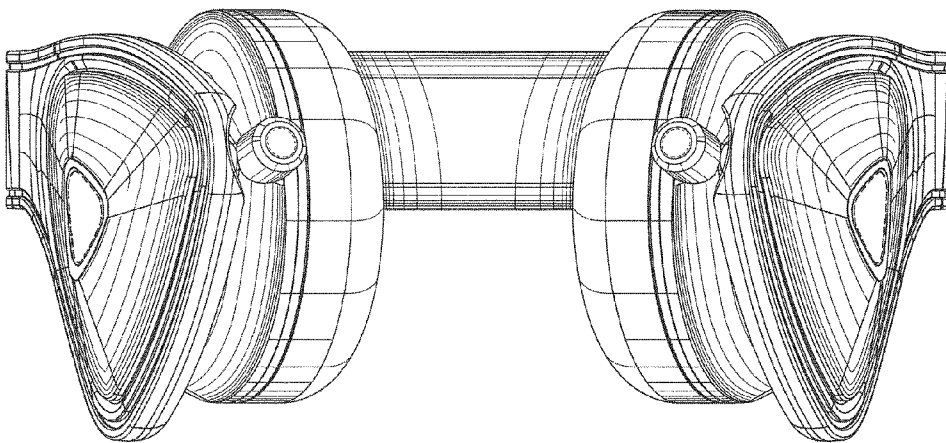


Figure 8