



US00D804822S

(12) **United States Design Patent** (10) **Patent No.:** **US D804,822 S**
Stratton et al. (45) **Date of Patent:** **** Dec. 12, 2017**

(54) **TRANSFORMABLE TRAY**

FOREIGN PATENT DOCUMENTS

(71) Applicant: **United States Postal Service,**
Washington, DC (US)

EP 0049718 A1 4/1982
FR 2680121 A1 2/1993

(72) Inventors: **Christopher M. Stratton,** Springfield,
VA (US); **Gregory J. Smith,** Arlington,
VA (US); **Thomas C. Potter,** Oak Hill,
VA (US)

OTHER PUBLICATIONS

International Search Report and Written Opinion dated Aug. 12,
2016 for International Patent Application No. PCT/US16/30039.
(Continued)

(73) Assignee: **United States Postal Service,**
Washington, DC (US)

Primary Examiner — Kelley Donnelly
(74) *Attorney, Agent, or Firm* — Knobbe Martens Olson
& Bear LLP

(**) Term: **15 Years**

(21) Appl. No.: **29/569,120**

(57) **CLAIM**

(22) Filed: **Jun. 23, 2016**

The ornamental design for a transformable tray, as shown
and described.

(51) **LOC (10) Cl.** **03-01**

(52) **U.S. Cl.**
USPC **D3/313**

(58) **Field of Classification Search**
USPC D3/304–305, 313–314, 315; D19/75, 86,
D19/92; D6/672, 675
CPC A47B 23/001; B65D 1/22; B65D 1/225;
B65D 1/24; B65D 25/00; B65D 25/06;
B65D 21/083
See application file for complete search history.

DESCRIPTION

FIG. 1 is a top perspective view of a transformable tray with
a bottom portion in a first position in accordance with the
present invention.
FIG. 2 is a bottom perspective view of the transformable tray
of FIG. 1.
FIG. 3 is a front view of the transformable tray of FIG. 1.
FIG. 4 is a back view of the transformable tray of FIG. 1.
FIG. 5 is a right side view of the transformable tray of FIG.
1.
FIG. 6 is a left side view of the transformable tray of FIG.
1.
FIG. 7 is a top view of the transformable tray of FIG. 1.
FIG. 8 is a bottom view of the transformable tray of FIG. 1;
and,
FIG. 9 is a perspective view of the transformable tray of
FIG. 1 with the bottom portion in a second position.
Broken lines are used to illustrate environmental structure
and form no part of the claimed design.

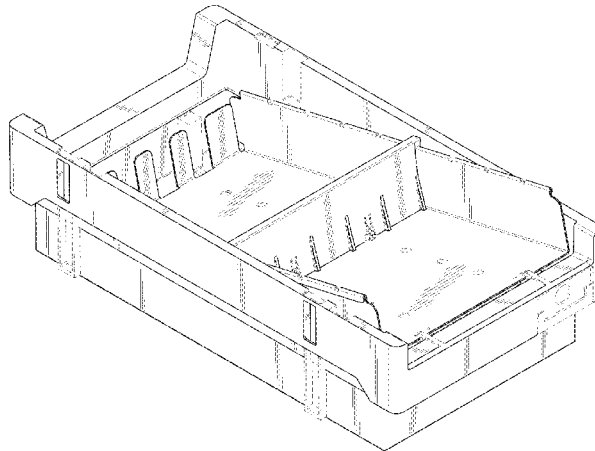
(56) **References Cited**

U.S. PATENT DOCUMENTS

3,102,374 A 9/1963 Lloyd et al.
3,752,043 A 8/1973 Rapparlie et al.
4,014,458 A * 3/1977 Berges B65D 7/12
220/1.5
4,040,618 A 8/1977 Vermes et al.
4,044,910 A * 8/1977 Box B65D 11/1833
217/15
4,161,092 A 7/1979 Buday et al.
D292,743 S * 11/1987 Hung 206/832
4,750,315 A 6/1988 Wadell
4,805,890 A 2/1989 Martin
4,934,687 A 6/1990 Hayden

(Continued)

1 Claim, 9 Drawing Sheets



(56)

References Cited

U.S. PATENT DOCUMENTS

5,012,628 A 5/1991 Van Oord
 5,138,817 A 8/1992 Mowry et al.
 5,161,709 A * 11/1992 Oestreich, Jr. B65D 19/12
 220/1.5
 5,235,796 A 8/1993 Campbell, III et al.
 5,289,935 A * 3/1994 Hillis B65D 19/18
 220/1.5
 5,290,025 A 3/1994 Plent et al.
 5,556,252 A 9/1996 Kuster
 5,636,723 A 6/1997 Bulle et al.
 5,743,518 A 4/1998 Takashimizu et al.
 H1747 H 9/1998 Saeki et al.
 6,003,861 A 12/1999 Iizumi et al.
 D452,820 S * 1/2002 Hacker D9/456
 D453,995 S * 3/2002 Slight D3/304
 6,536,191 B1 3/2003 Ruggiero
 6,749,194 B2 6/2004 Hanson et al.
 6,840,513 B1 1/2005 Rabindran
 7,137,234 B2 11/2006 Caporali et al.
 D610,001 S * 2/2010 McAlpine D3/297

7,731,167 B2 6/2010 Prim et al.
 D631,561 S * 1/2011 Luciano D25/68
 D639,563 S * 6/2011 Chilewich D3/313
 D658,407 S * 5/2012 Pung D6/683
 8,631,922 B2 1/2014 Stone et al.
 D750,892 S * 3/2016 Rego D3/305
 9,302,811 B2 * 4/2016 Orgeldinger B65D 21/083
 D780,452 S * 3/2017 Stratton D3/305
 2004/0222222 A1 * 11/2004 Parnall B65D 11/1833
 220/6
 2006/0138130 A1 * 6/2006 Orgeldinger B65D 21/083
 220/4.03
 2009/0173040 A1 7/2009 Carlson et al.
 2013/0320609 A1 12/2013 Keane et al.
 2014/0239577 A1 8/2014 Kato
 2015/0344258 A1 12/2015 Tsumura et al.

OTHER PUBLICATIONS

International Search Report and Written Opinion dated Feb. 1, 2016
 for International Patent Application No. PCT/US2015/53029.

* cited by examiner

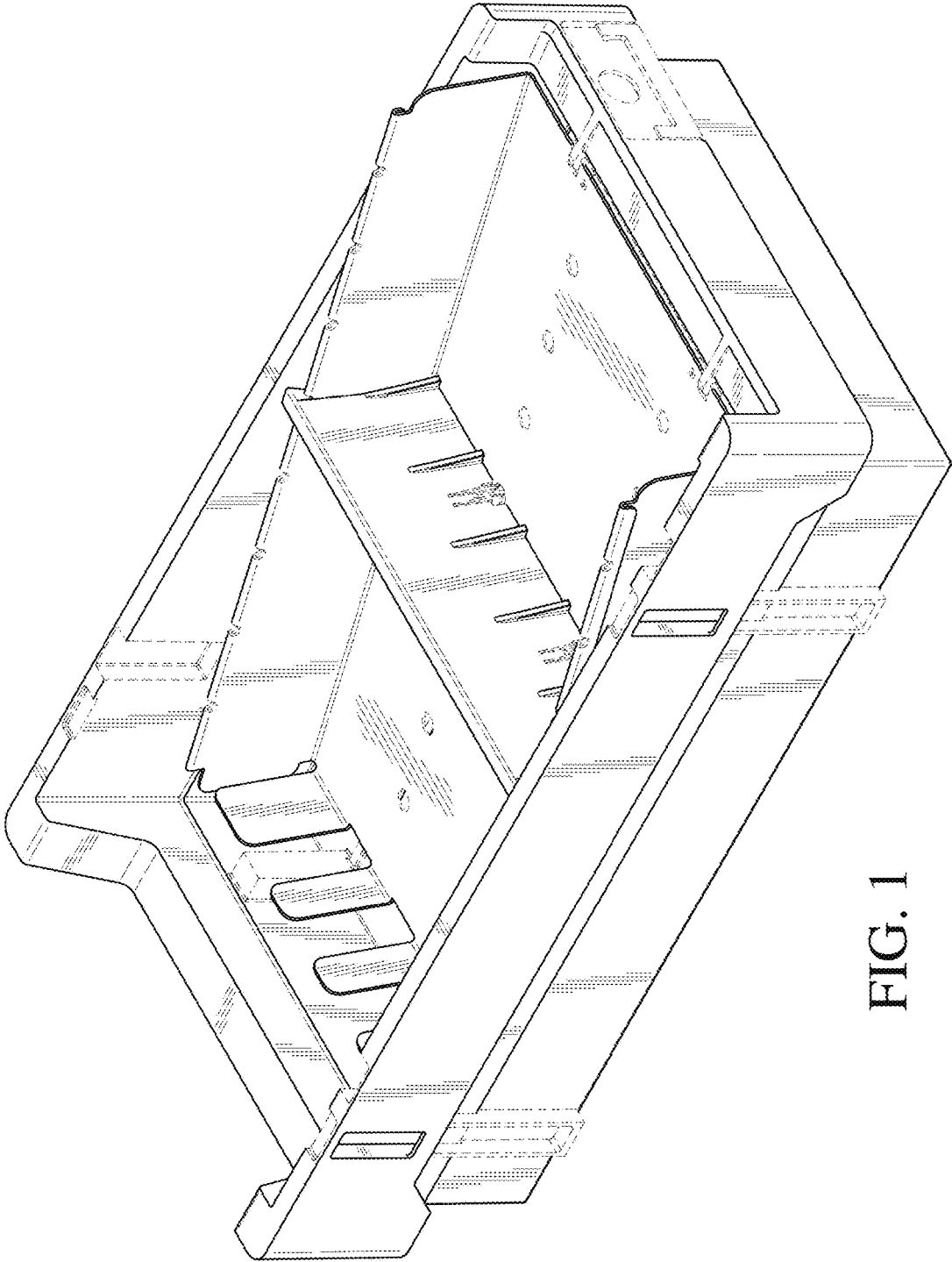


FIG. 1

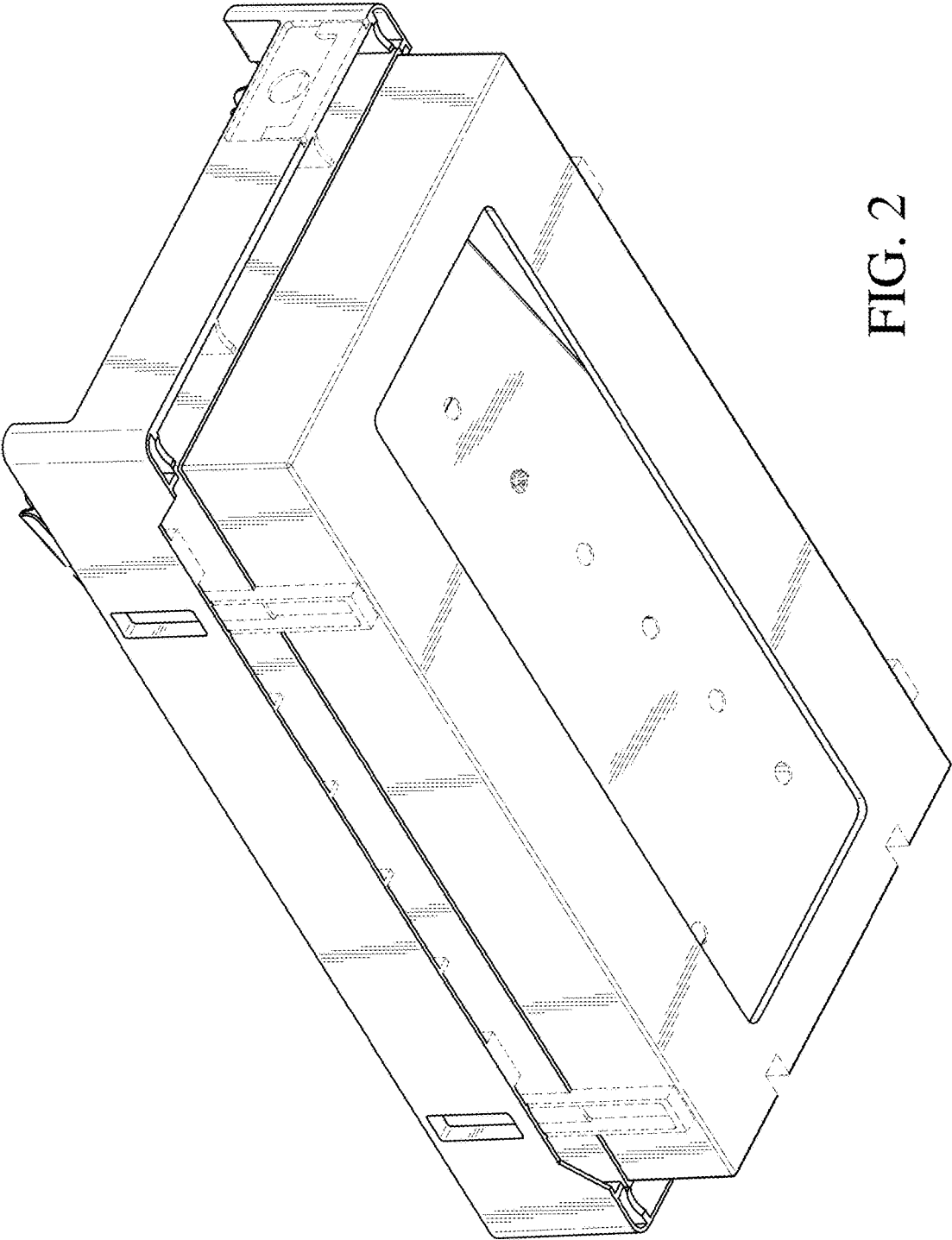


FIG. 2

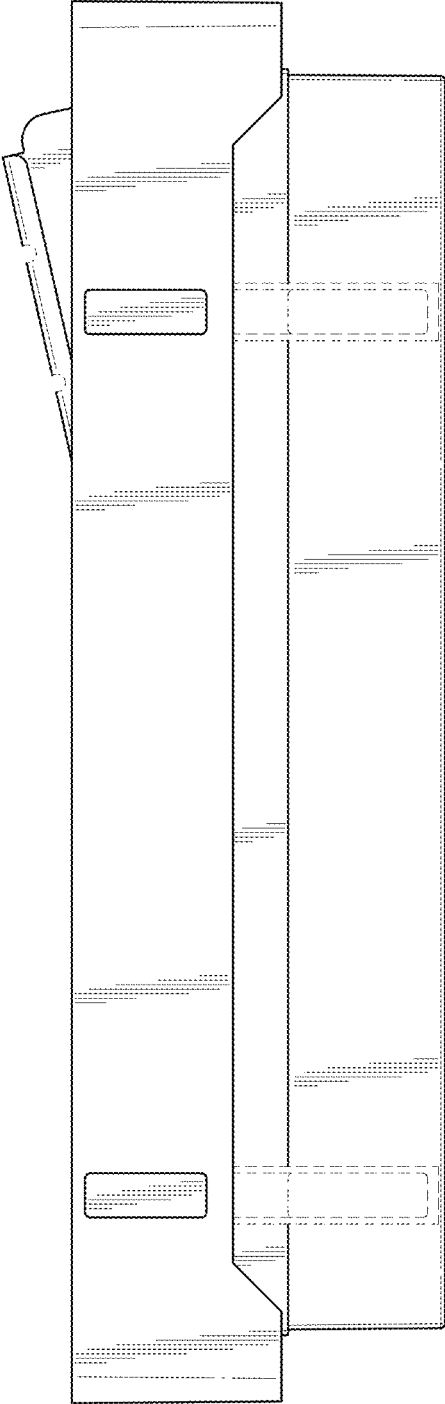


FIG. 3

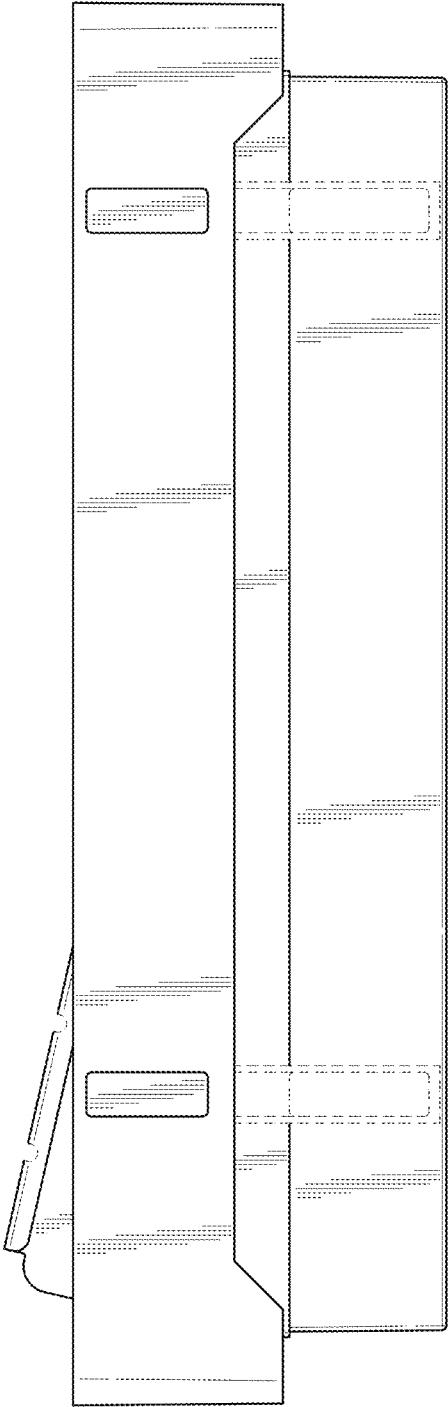


FIG. 4

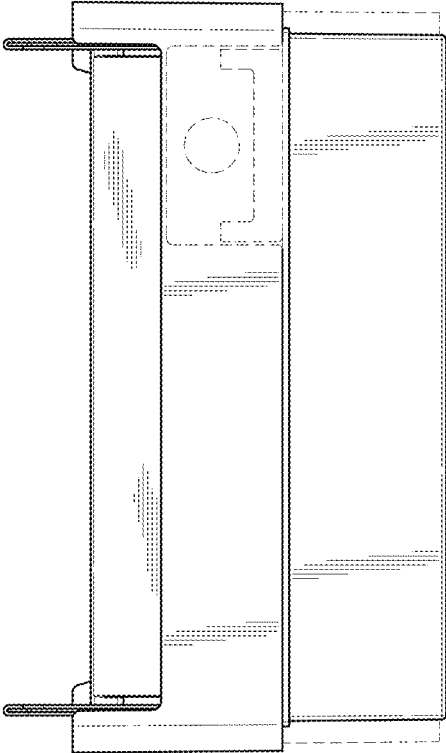


FIG. 5

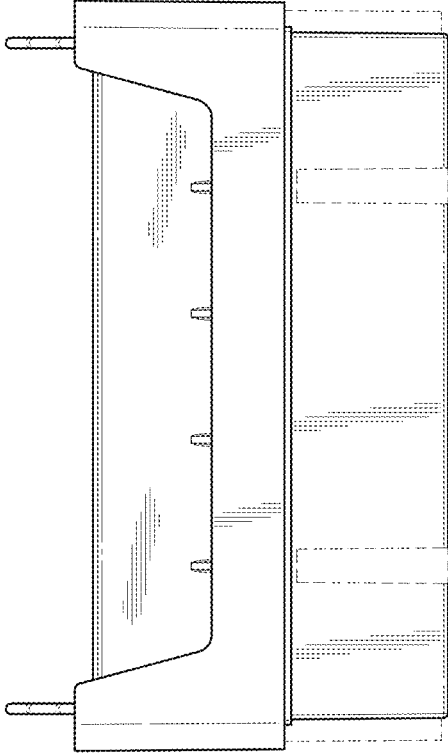


FIG. 6

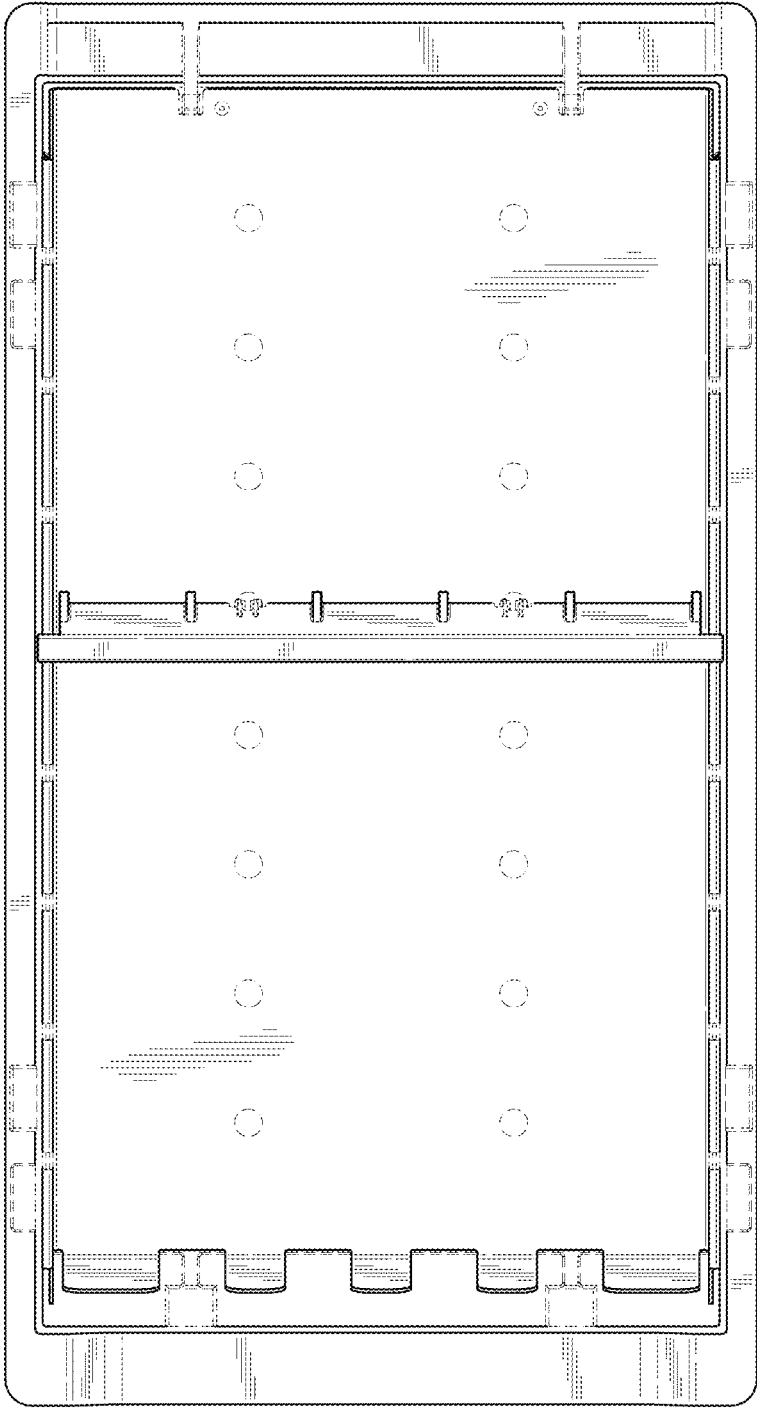


FIG. 7

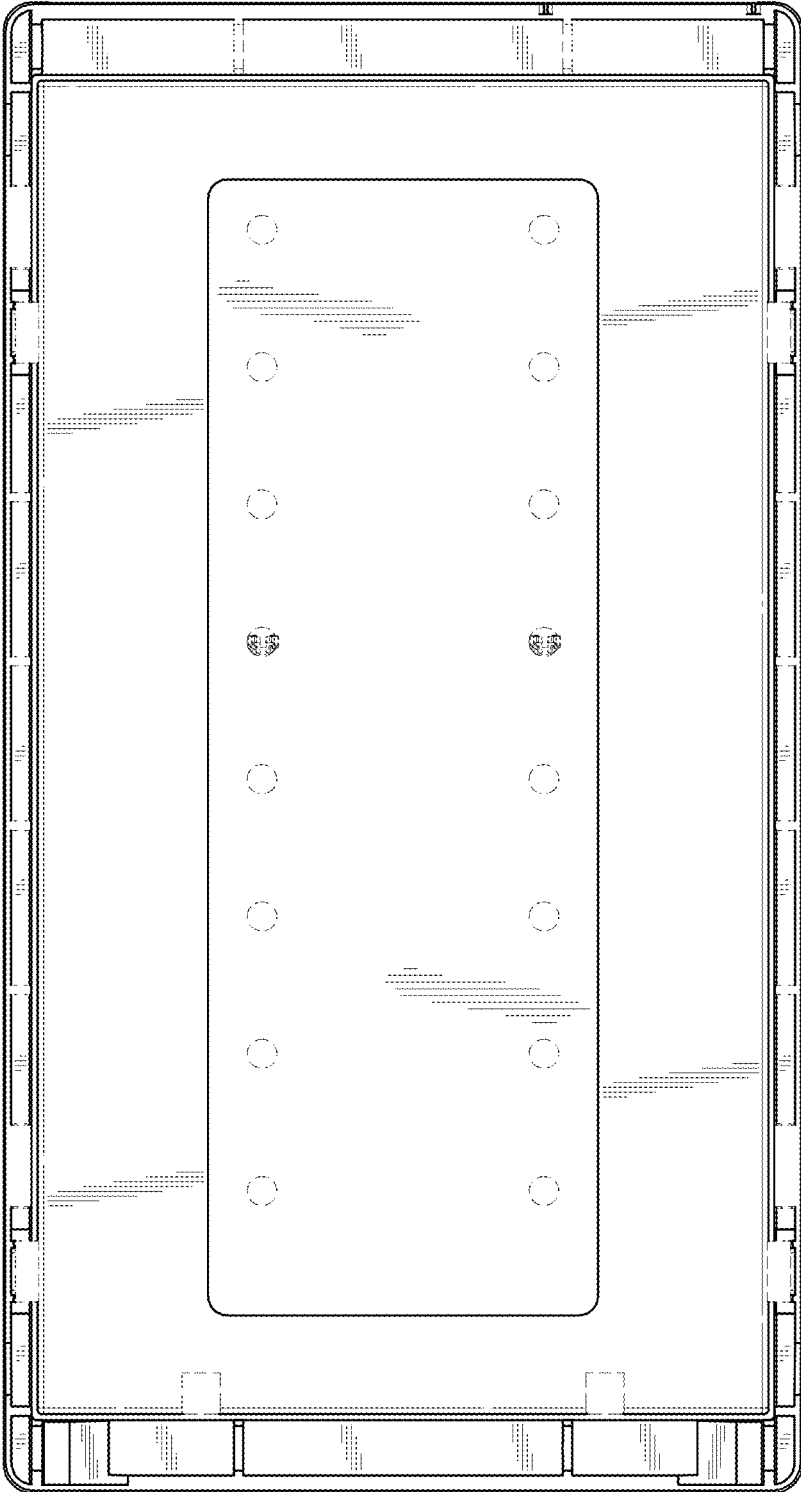


FIG. 8

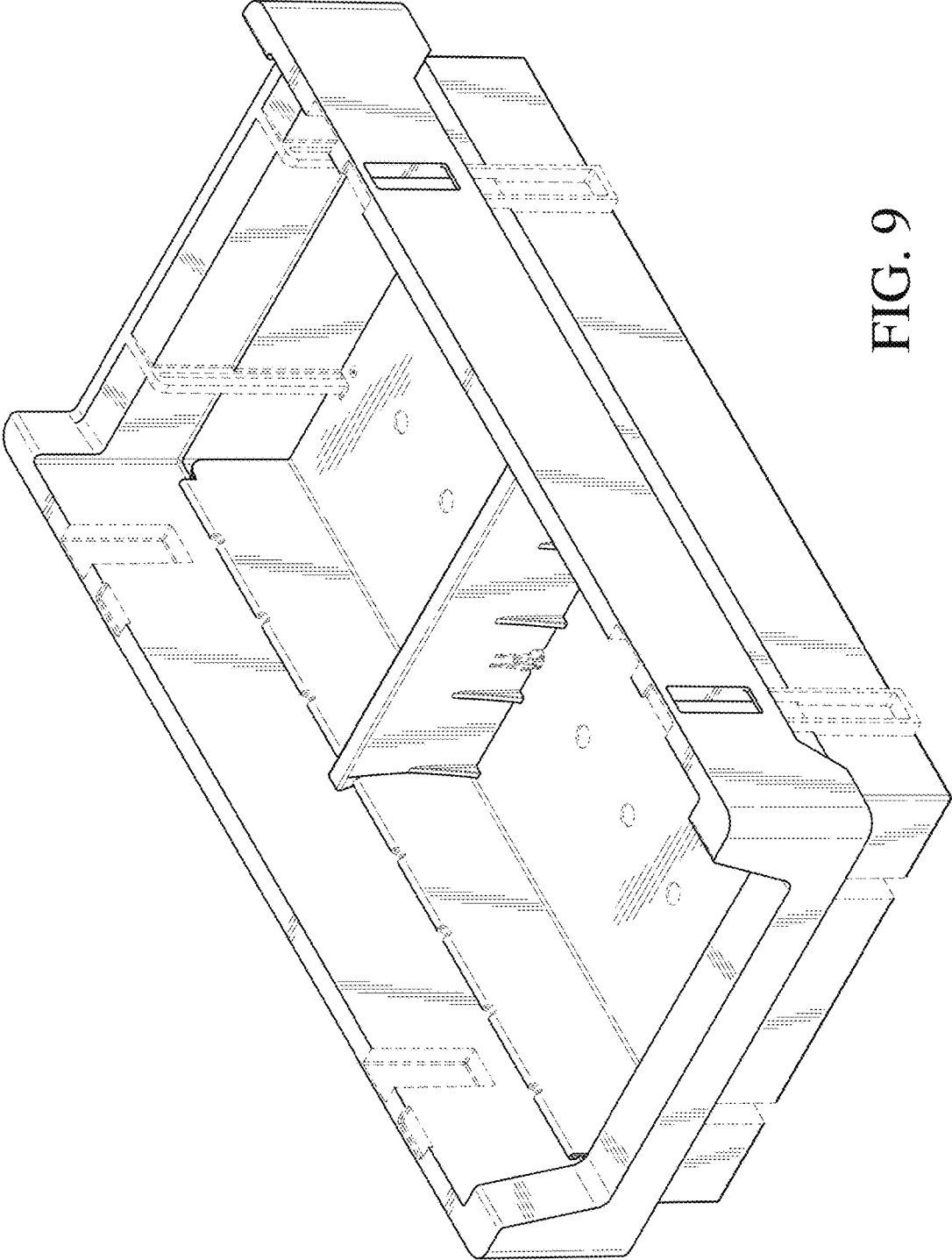


FIG. 9