



US00D998761S

(12) **United States Design Patent**  
**Xu**

(10) **Patent No.:** **US D998,761 S**

(45) **Date of Patent:** **\*\* Sep. 12, 2023**

(54) **FAUCET UNIT**

(71) Applicant: **Chao Xu**, Suzhou (CN)

(72) Inventor: **Chao Xu**, Suzhou (CN)

(\*\*) Term: **15 Years**

(21) Appl. No.: **29/859,258**

(22) Filed: **Nov. 9, 2022**

(51) **LOC (14) Cl.** ..... **23-01**

(52) **U.S. Cl.**

USPC ..... **D23/238**

(58) **Field of Classification Search**

USPC ..... D23/213, 238–244, 249–250, 252, 254,  
D23/255, 257; D8/307–308, 352  
CPC . E03C 1/02; E03C 1/04; E03C 1/0404; E03C  
1/0412; F16K 31/602; F16K 31/605;  
F16K 31/607; Y10T 137/6014; Y10T  
137/6024; Y10T 137/9464; Y10T  
137/6017

See application file for complete search history.

(56) **References Cited**

**U.S. PATENT DOCUMENTS**

D545,946 S \* 7/2007 Kemp ..... D23/249  
D645,942 S \* 9/2011 Flowers ..... D23/250  
D647,600 S \* 10/2011 Liao ..... D23/242  
D662,188 S \* 6/2012 Thun ..... D23/242  
D683,432 S \* 5/2013 Berger ..... D23/242  
D689,986 S \* 9/2013 Lord ..... D23/238  
D692,105 S \* 10/2013 Garland ..... D23/238  
D717,401 S \* 11/2014 Fritz ..... D23/238  
D717,915 S \* 11/2014 Fritz ..... D23/239  
D767,727 S \* 9/2016 Eads ..... D23/242  
D769,419 S \* 10/2016 Eads ..... D23/242  
D854,662 S \* 7/2019 Schaubach ..... D23/255  
D856,490 S \* 8/2019 Seum ..... D23/242  
D859,592 S \* 9/2019 Seum ..... D23/242  
D861,137 S \* 9/2019 Chen ..... D23/255

D861,138 S \* 9/2019 Chen ..... D23/255  
D873,965 S 1/2020 Lazarini  
D896,349 S \* 9/2020 Kuang ..... D23/242

(Continued)

*Primary Examiner* — Amy C Wierenga

*Assistant Examiner* — Kathryn Elizabeth Zieno

(74) *Attorney, Agent, or Firm* — Daniel M. Cohn;  
Howard M. Cohn

(57) **CLAIM**

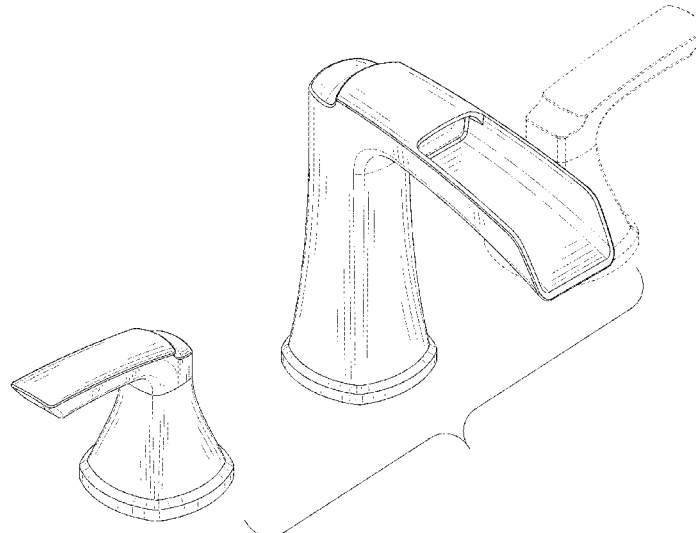
The ornamental design for a faucet unit, as shown and described.

**DESCRIPTION**

FIG. 1 is a perspective view of a first component of a faucet unit, shown separately for ease of illustration; FIG. 2 is another perspective view thereof; FIG. 3 is a front elevational view thereof; FIG. 4 is a rear elevational view thereof; FIG. 5 is a left side elevational view thereof; FIG. 6 is a right side elevational view thereof; FIG. 7 is a top plan view thereof; FIG. 8 is a bottom plan view thereof; FIG. 9 is a perspective view of a second component of a faucet unit, shown separately for ease of illustration; FIG. 10 is another perspective view thereof; FIG. 11 is a front elevational view thereof; FIG. 12 is a rear elevational view thereof; FIG. 13 is a left side elevational view thereof; FIG. 14 is a right side elevational view thereof; FIG. 15 is a top plan view thereof; FIG. 16 is a bottom plan view thereof; and, FIG. 17 is a perspective view of a first component and a second component of the faucet unit shown in a position of use.

The broken lines in the drawings depict portions of the faucet unit that form no part of the claimed design. The other broken lines shown in FIG. 17 show portions of the faucet unit and environmental subject matter that form no part of the claimed design.

**1 Claim, 17 Drawing Sheets**



(56)

**References Cited**

U.S. PATENT DOCUMENTS

D896,924	S	*	9/2020	Takahashi	.....	D23/238
D903,826	S	*	12/2020	Zhang	.....	D23/238
D916,242	S	*	4/2021	Xie	.....	D23/238
D918,343	S	*	5/2021	Fang	.....	D23/238
D918,345	S	*	5/2021	Stoler	.....	D23/252
D930,118	S		9/2021	Elser		
D931,415	S	*	9/2021	Stoler	.....	D23/238
D932,592	S	*	10/2021	Lazarini	.....	D23/238
D933,782	S	*	10/2021	Bahler	.....	D23/238
D940,826	S	*	1/2022	Lazarini	.....	D23/238
D954,229	S	*	6/2022	Hui	.....	D23/255
D956,183	S	*	6/2022	Yan	.....	D23/238
D959,611	S	*	8/2022	Yang	.....	D23/238
D961,050	S	*	8/2022	Zeng	.....	D23/241
D963,801	S	*	9/2022	Chang	.....	D23/241
D975,824	S	*	1/2023	Feng	.....	D23/238
D976,368	S	*	1/2023	Feng	.....	D23/238
D983,936	S	*	4/2023	Guo	.....	D23/238

\* cited by examiner

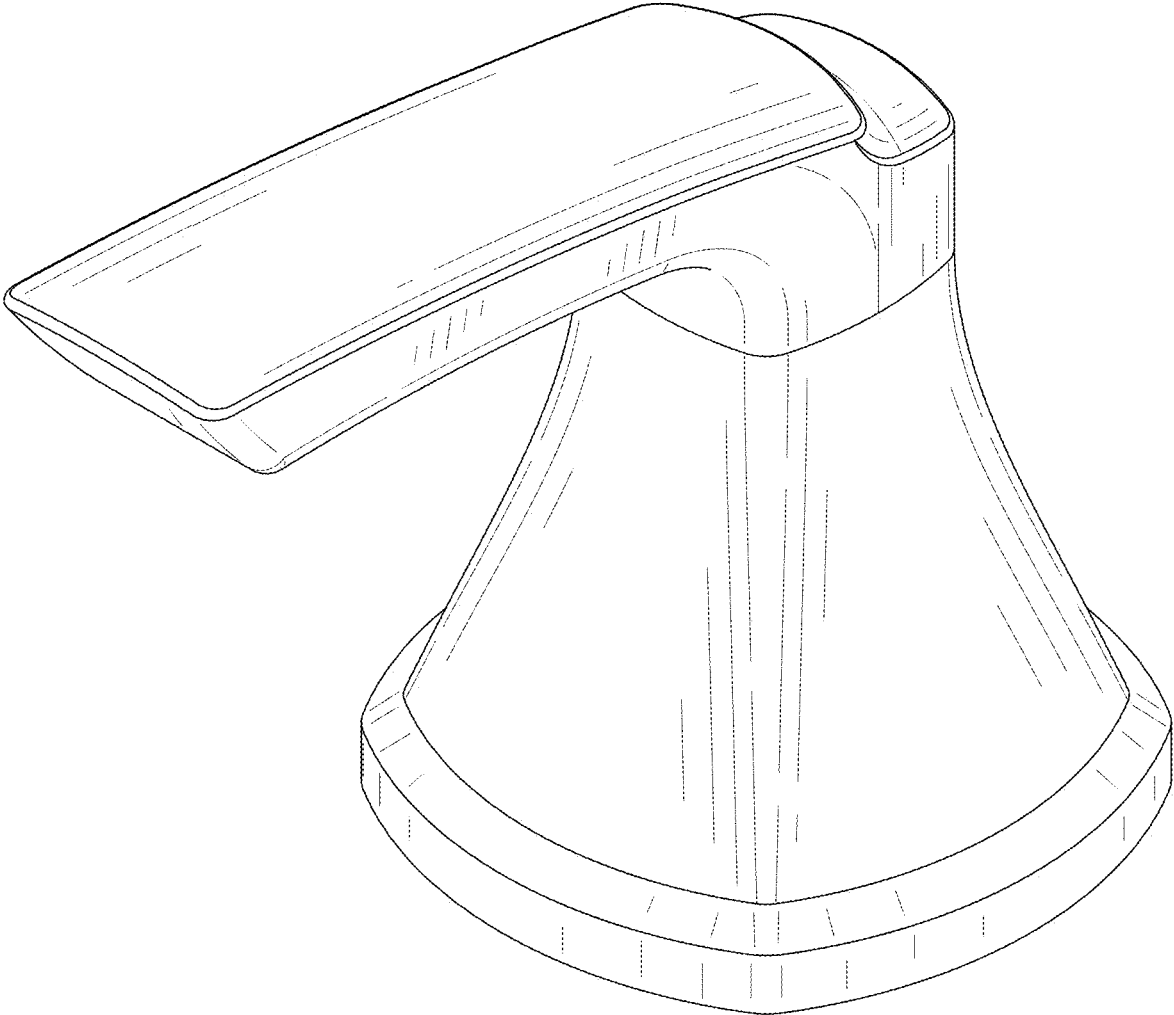


FIG. 1

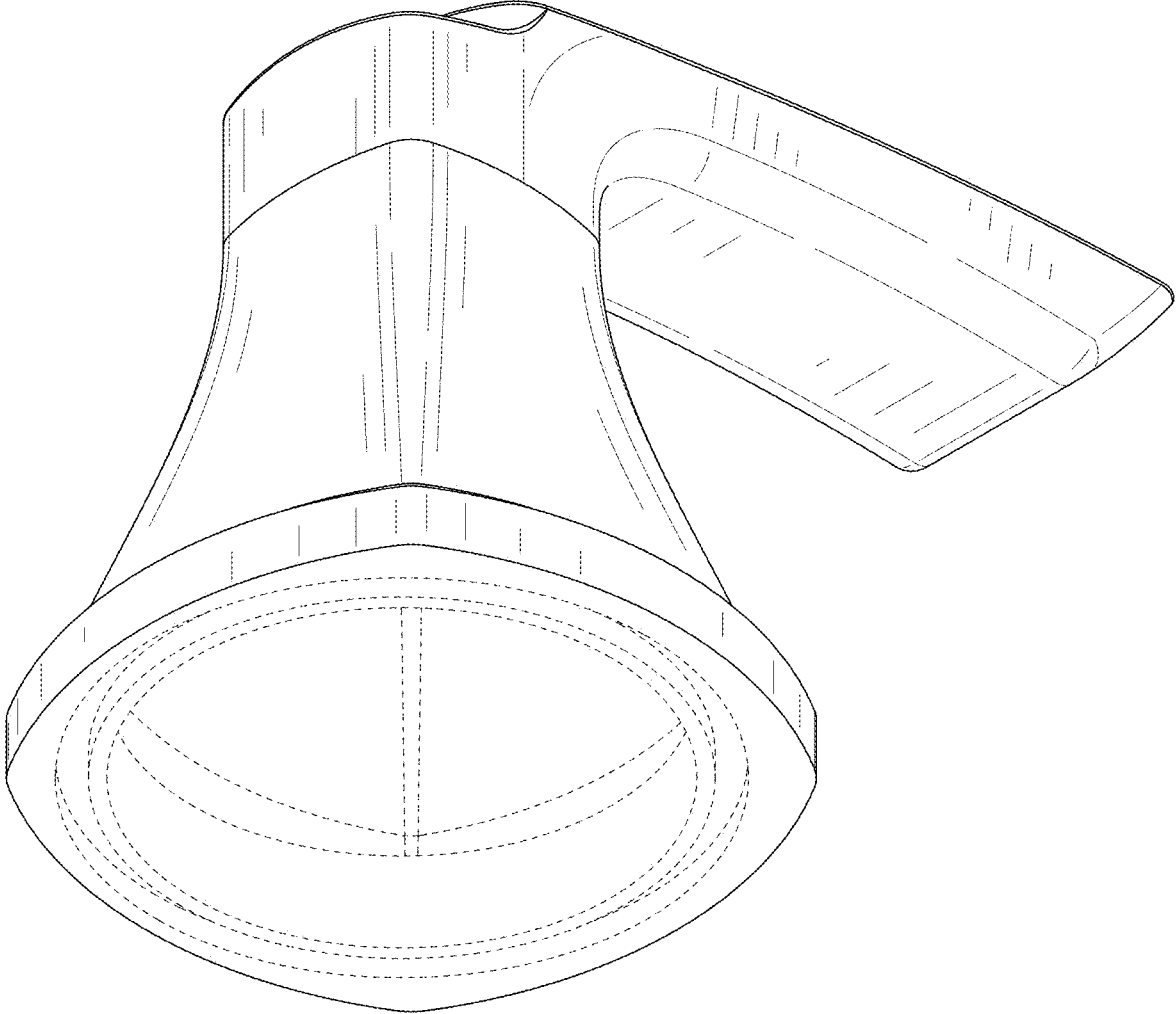


FIG. 2

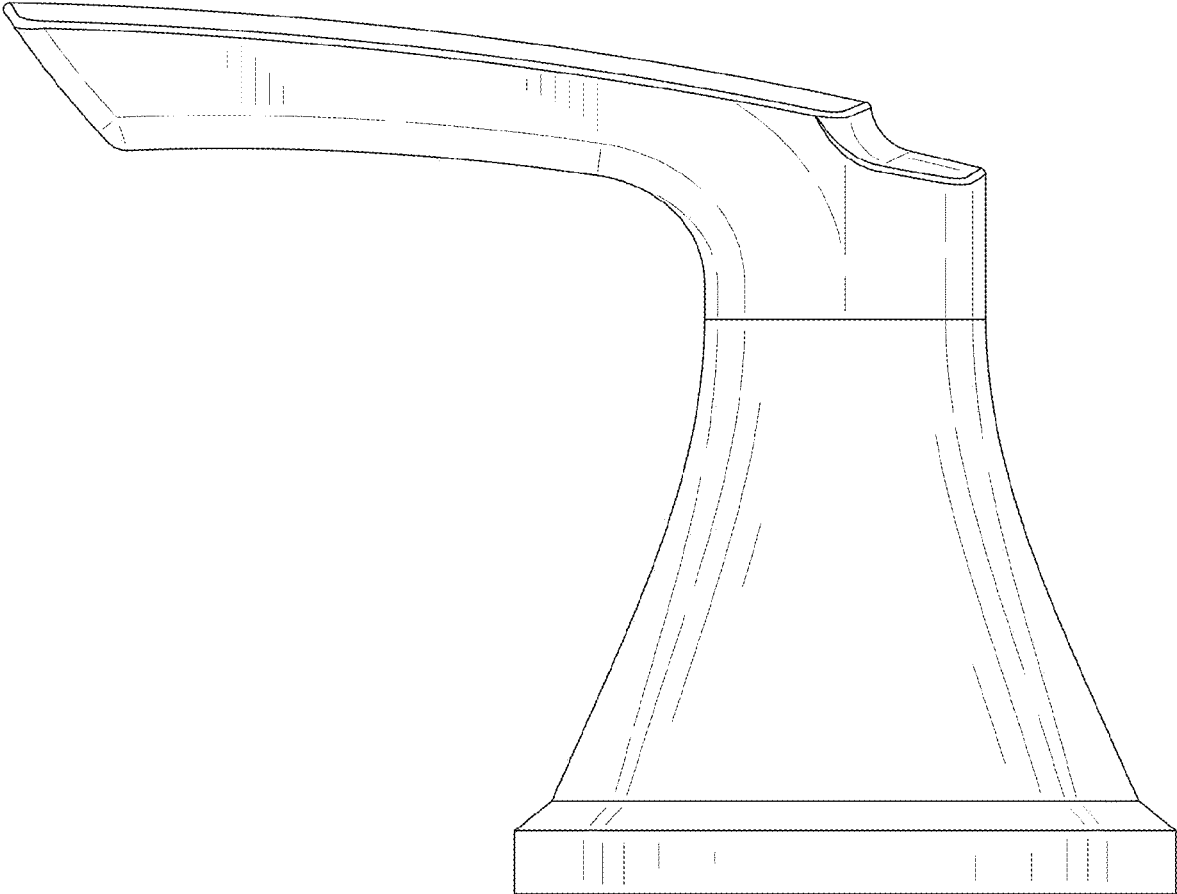


FIG. 3

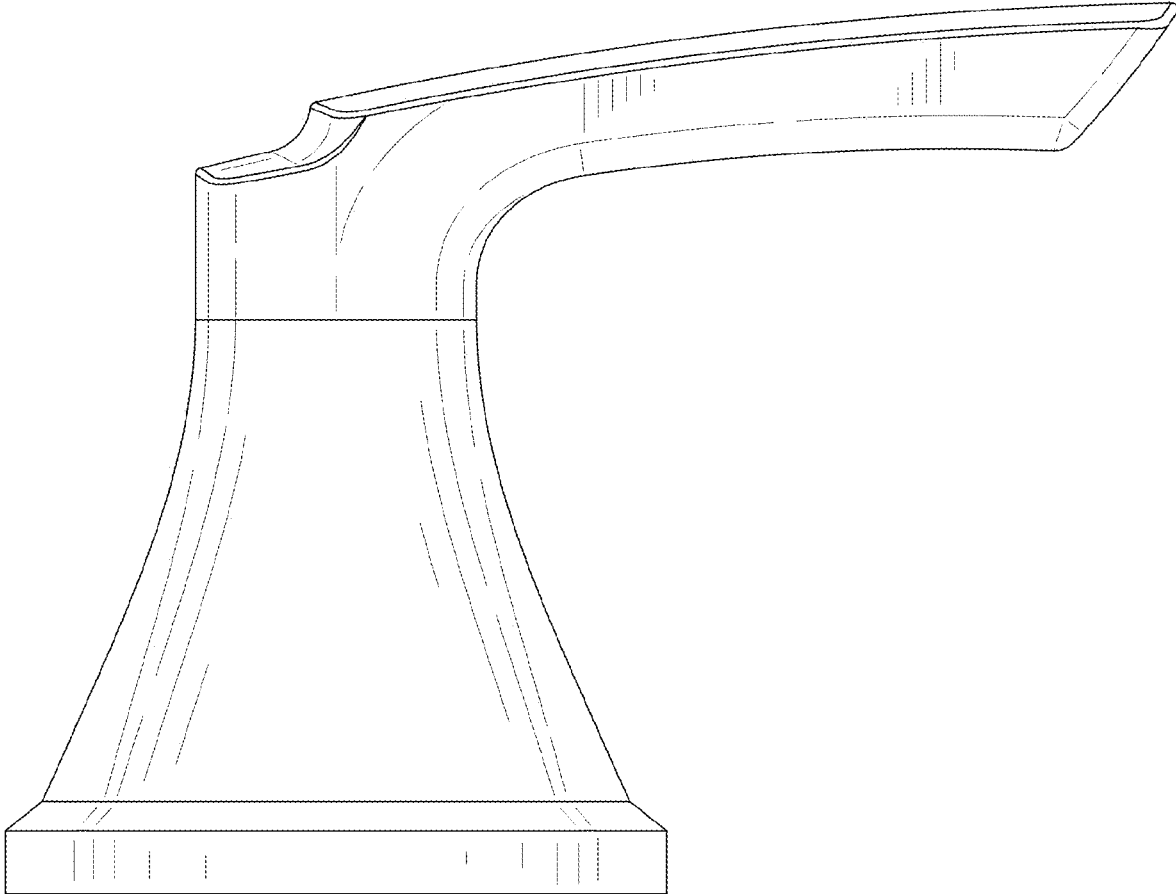


FIG. 4

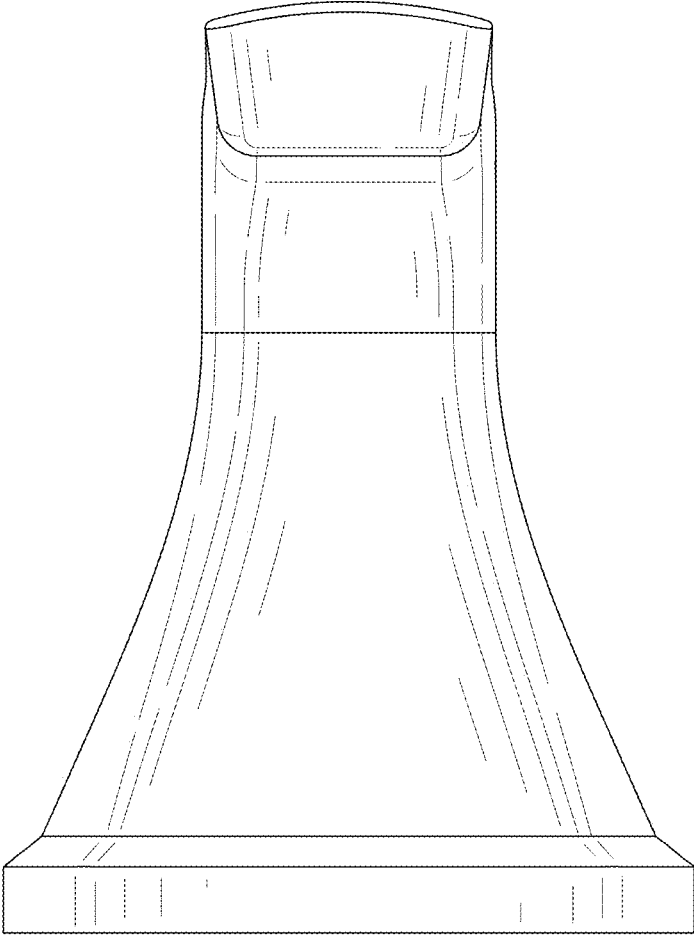


FIG. 5

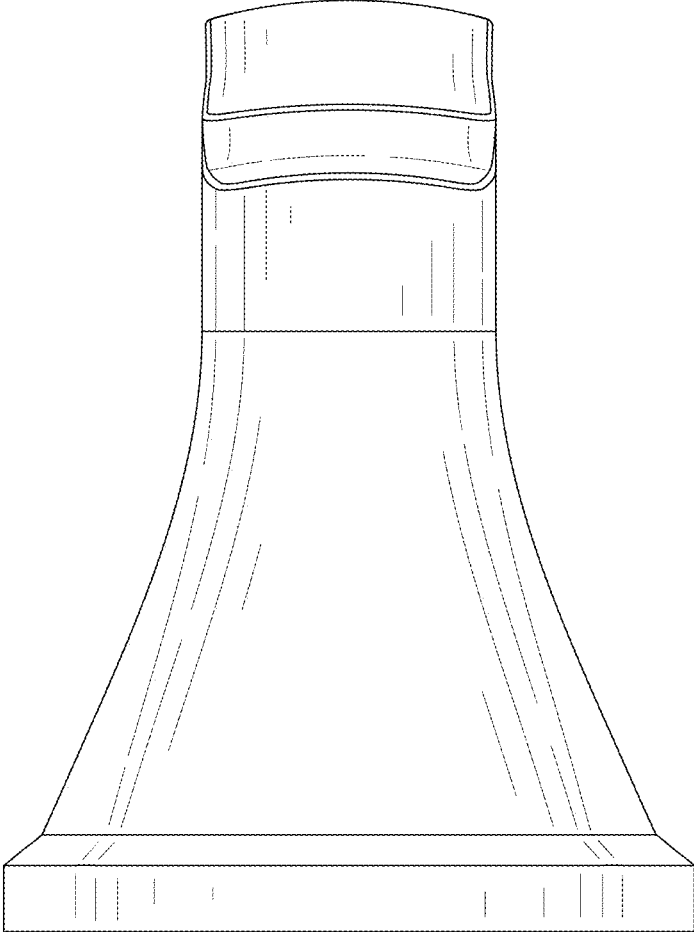


FIG. 6



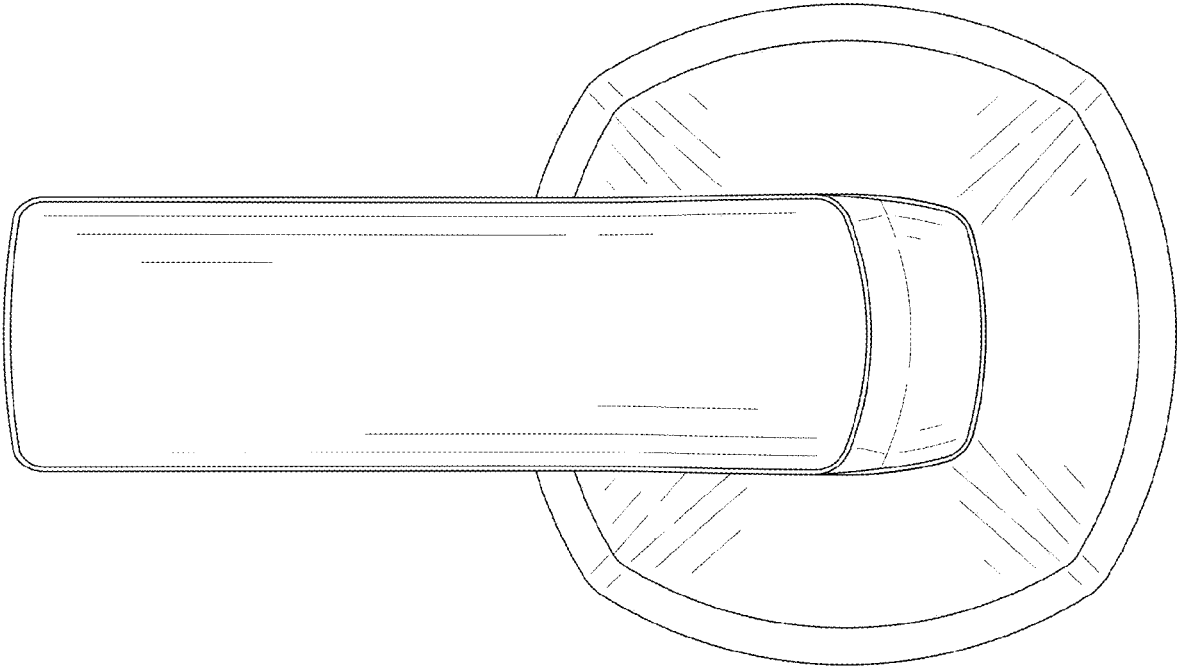


FIG. 7

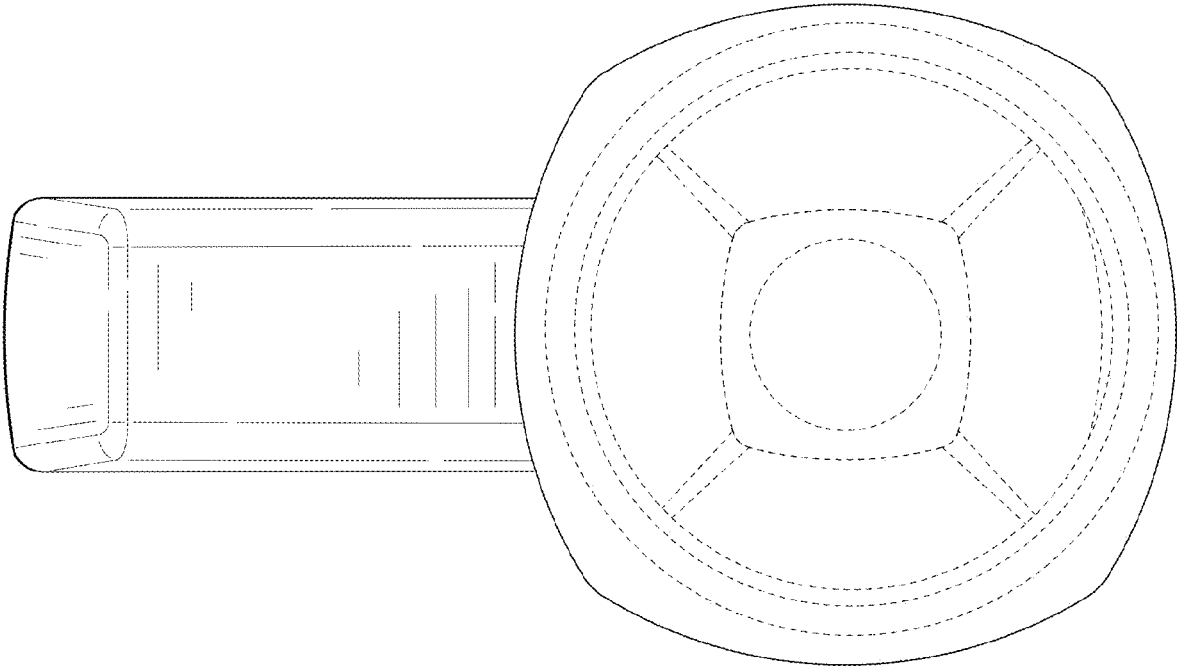


FIG. 8

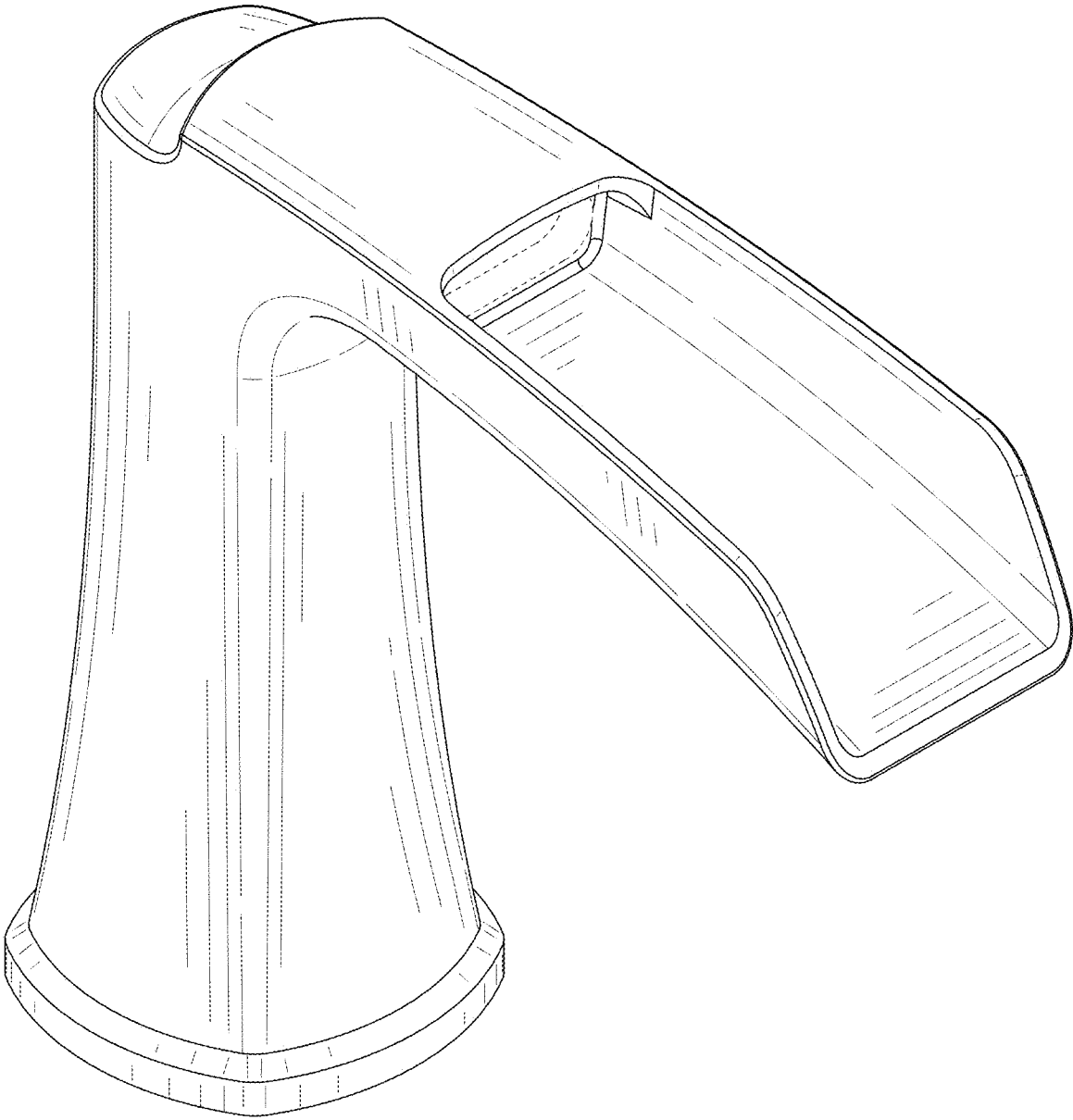


FIG. 9

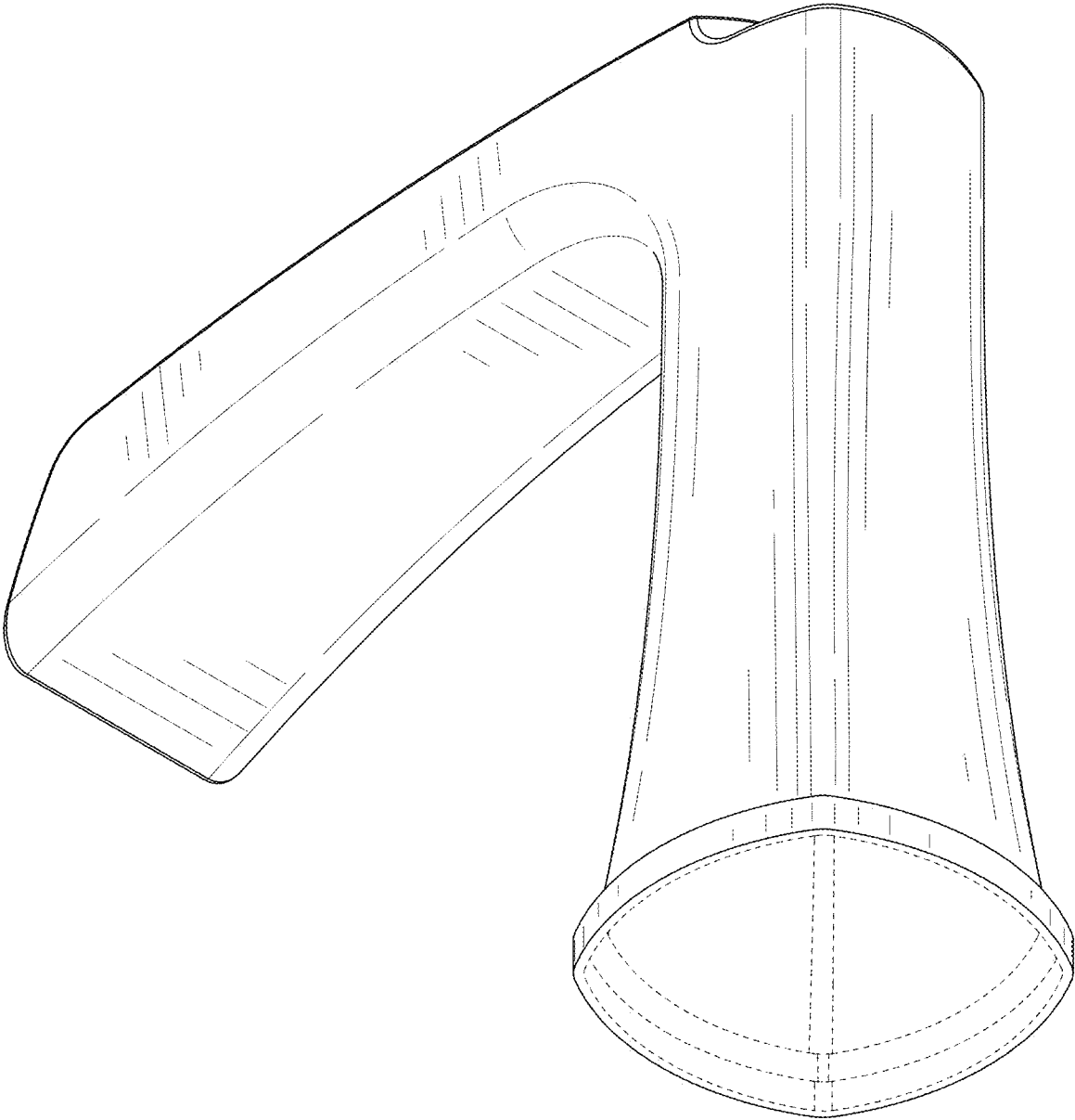


FIG. 10

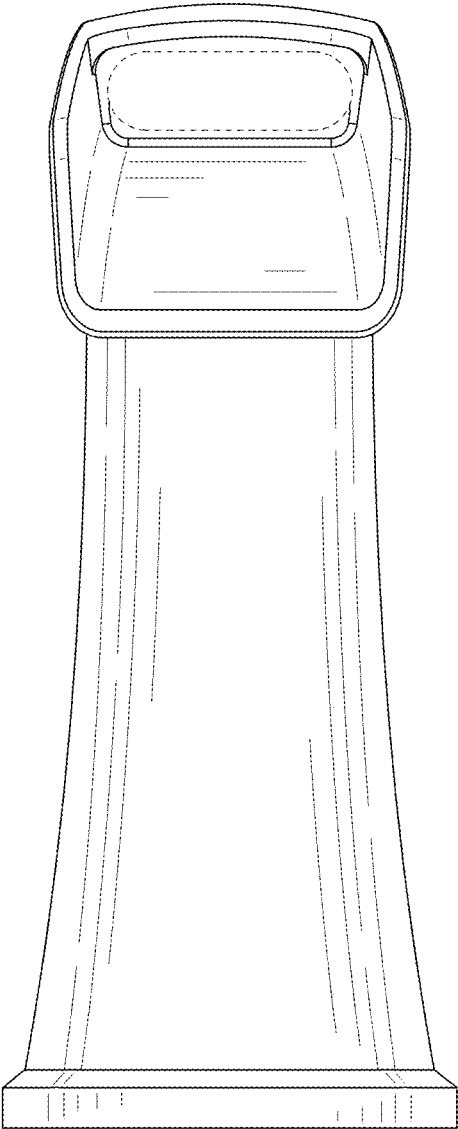


FIG. 11

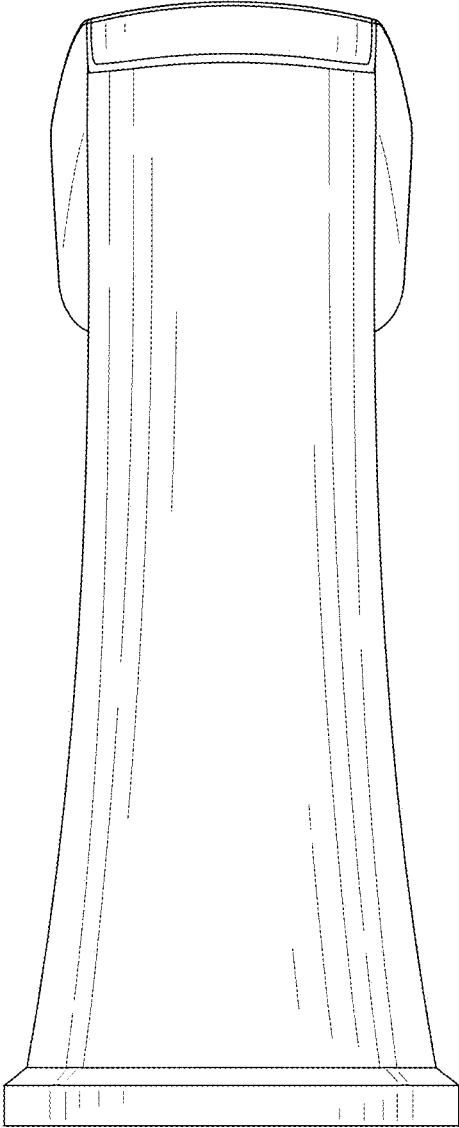


FIG. 12

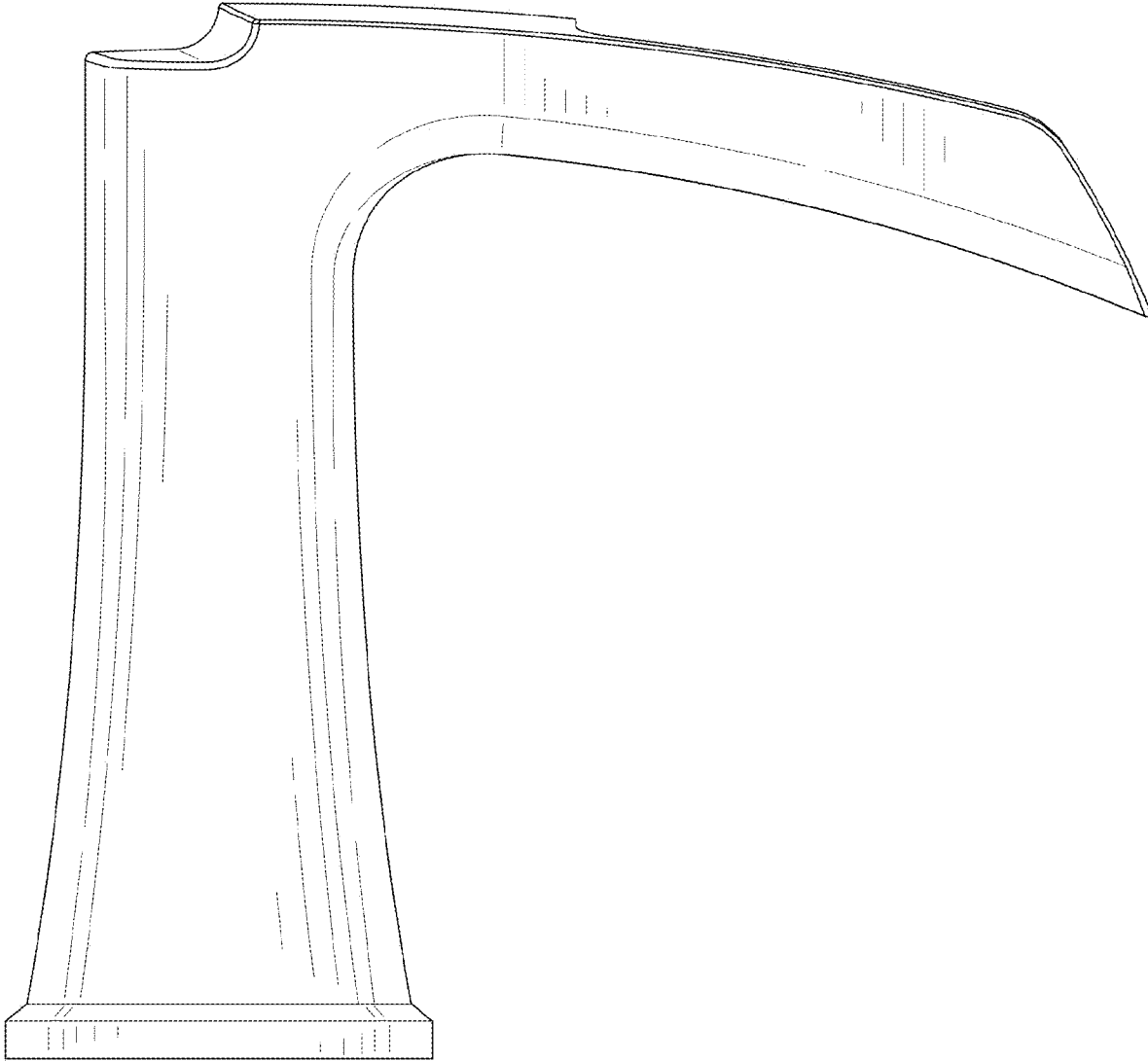


FIG. 13

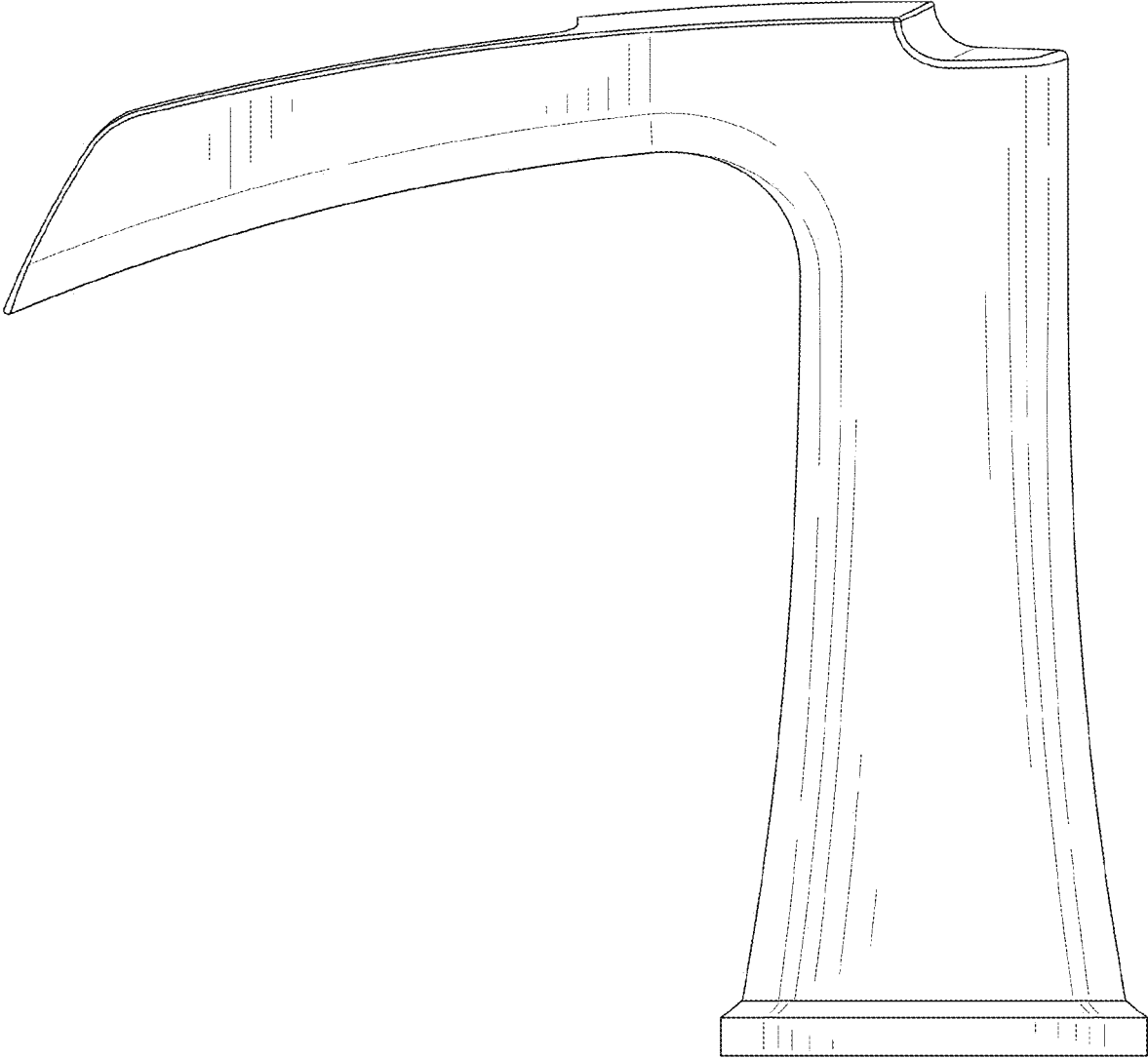


FIG. 14



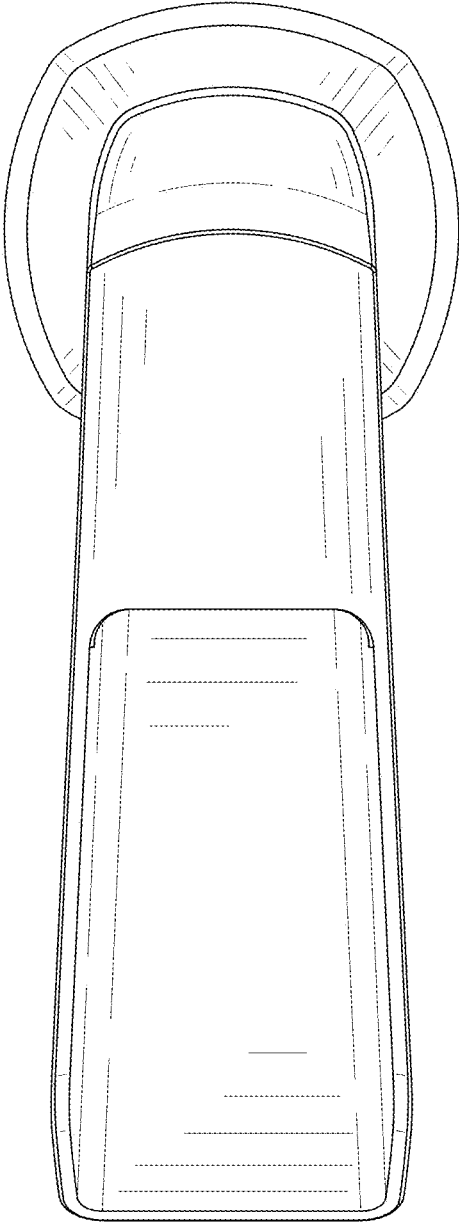


FIG. 15

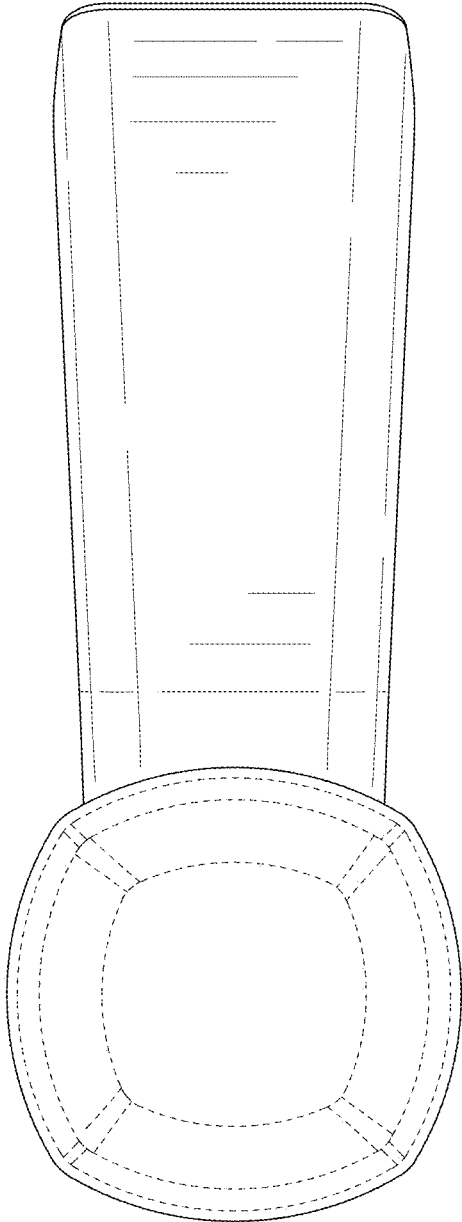


FIG. 16

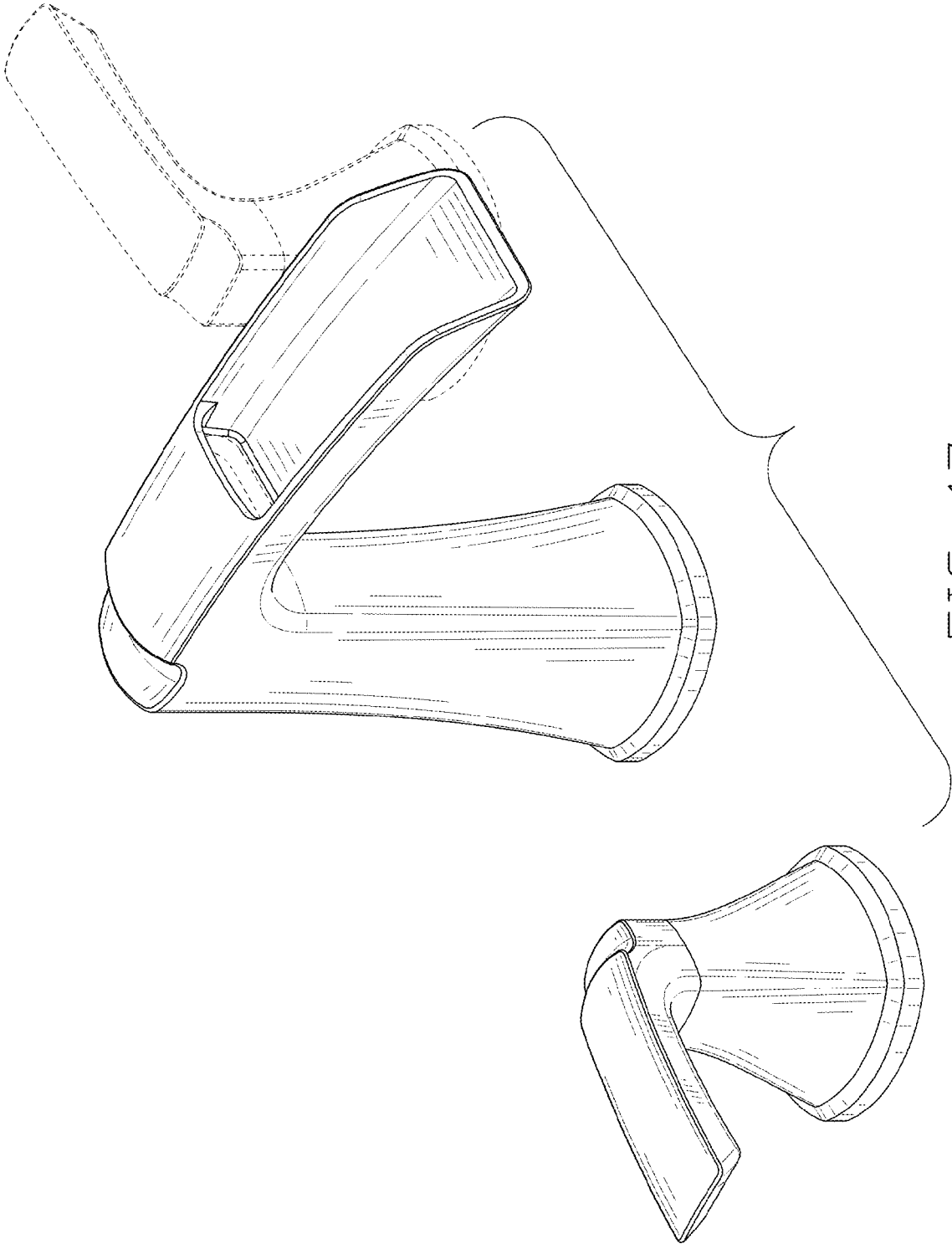


FIG. 17