



US00D427016S

United States Patent [19]

[11] Patent Number: **Des. 427,016**

Kindig et al.

[45] Date of Patent: **** Jun. 27, 2000**

[54] ENCLOSURE FOR A FOOD PROCESSOR

4,822,175	4/1989	Barnard et al.	366/347
5,533,797	7/1996	Gelber	312/138.1
5,957,577	9/1999	Dickson et al.	366/197

[75] Inventors: **Michael A. Kindig; Kevin Scheifele**, both of Akron; **Paul K. Foisy**, Lorain; **David J. Barnard**, North Olmsted, all of Ohio

OTHER PUBLICATIONS

Vita-Mix Corporation "Atmosphere Control" advertisement. 1 page, (undated).
K-TEC Commerical Products "K-TEC Commerical" publication, 2 pages (Dec. 25, 1996).

[73] Assignee: **Vita-Mix Corporation**, Cleveland, Ohio

Primary Examiner—Caron D. Veynar
Attorney, Agent, or Firm—Renner, Kenner, Greive, Bobak, Taylor & Weber

[**] Term: **14 Years**

[21] Appl. No.: **29/103,753**

[22] Filed: **Apr. 21, 1999**

[57] CLAIM

[51] **LOC (7) Cl.** **31-00**

The ornamental design for an enclosure for a food processor, as shown and described.

[52] **U.S. Cl.** **D7/412**

[58] **Field of Search** D7/376-386, 412;
D9/339, 432; 312/138.1, 293.2, 326, 327;
366/347, 206, 197

DESCRIPTION

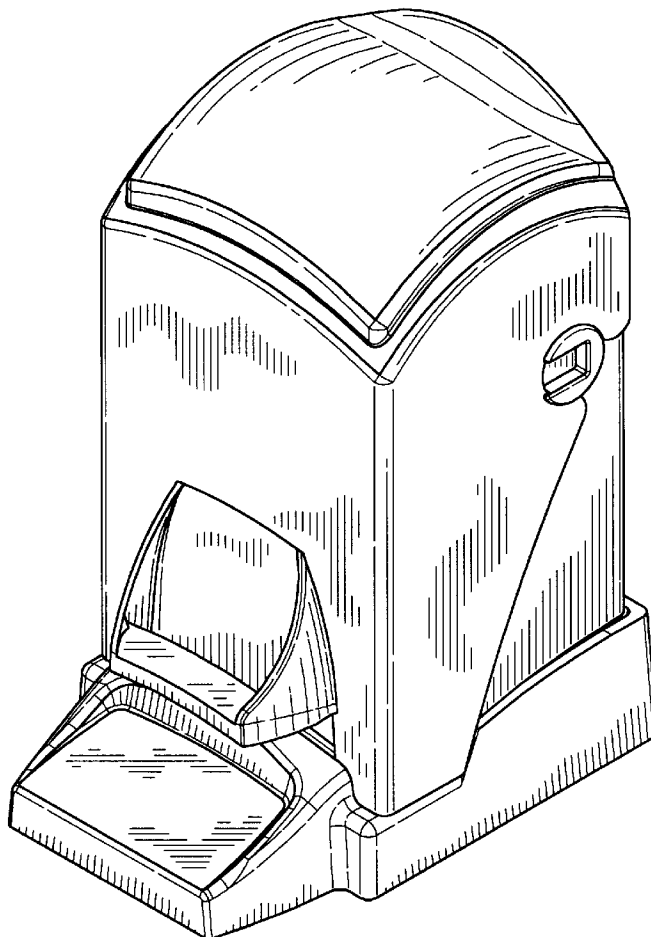
[56] References Cited

U.S. PATENT DOCUMENTS

D. 237,503	11/1975	Langmack, Jr. et al.	D26/5 R
D. 249,870	10/1978	Tillander	D9/224
D. 295,012	4/1988	Gelber	D7/412
D. 321,647	11/1991	Oldorf	D9/432 X

FIG. 1 is a top, front, right side perspective view of an enclosure for a food processor showing our new design; FIG. 2 is a top plan view thereof; FIG. 3 is a left side elevational view thereof; FIG. 4 is a front elevational view thereof; FIG. 5 is a right side elevational view thereof; and, FIG. 6 is a rear elevational view thereof.

1 Claim, 3 Drawing Sheets



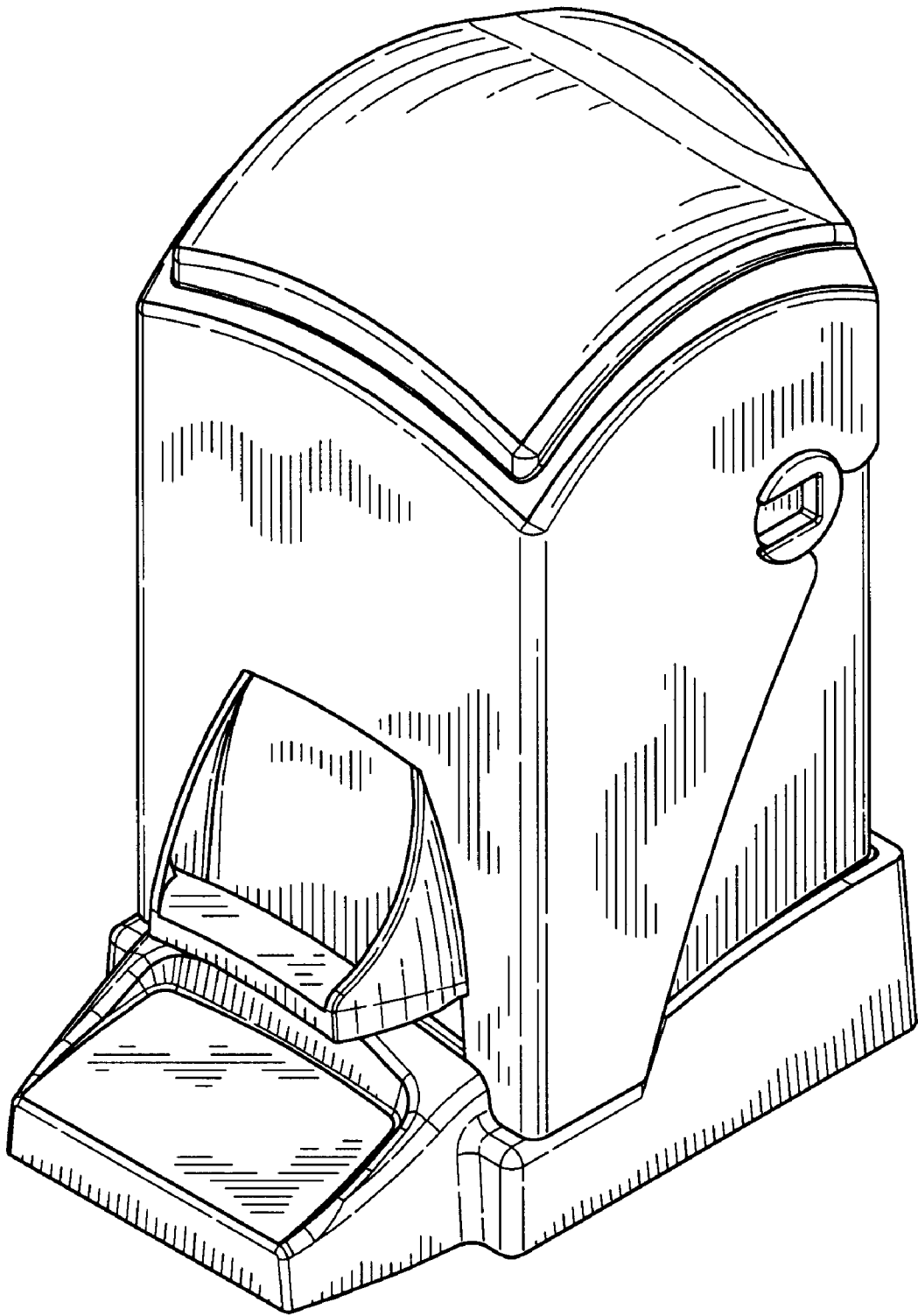


FIG-1

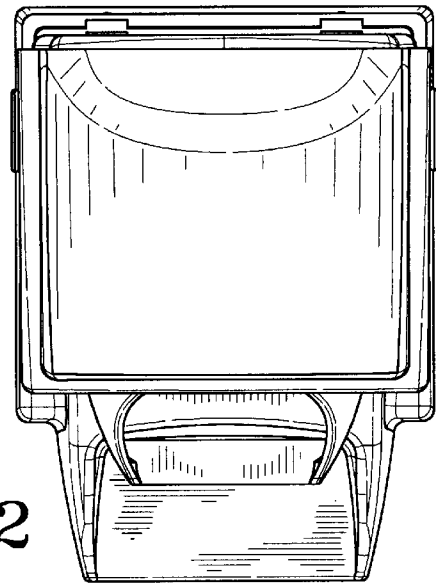


FIG-2

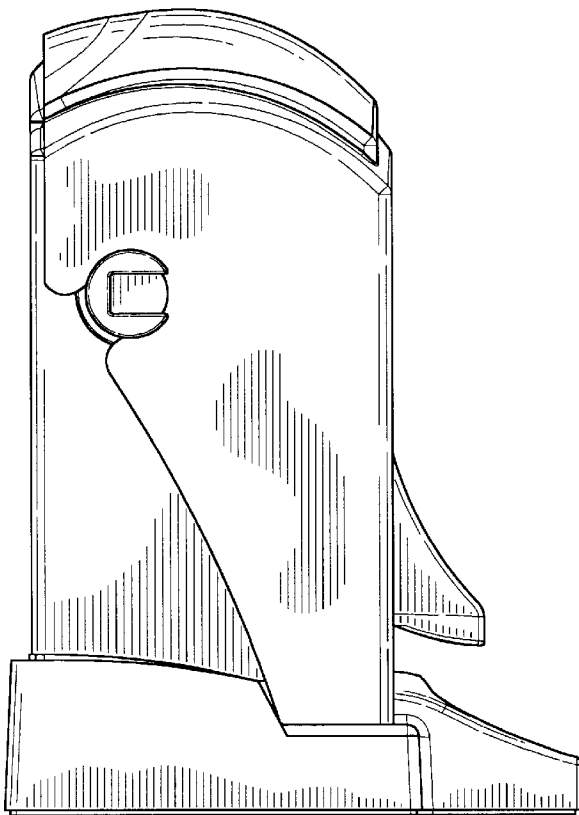


FIG-3

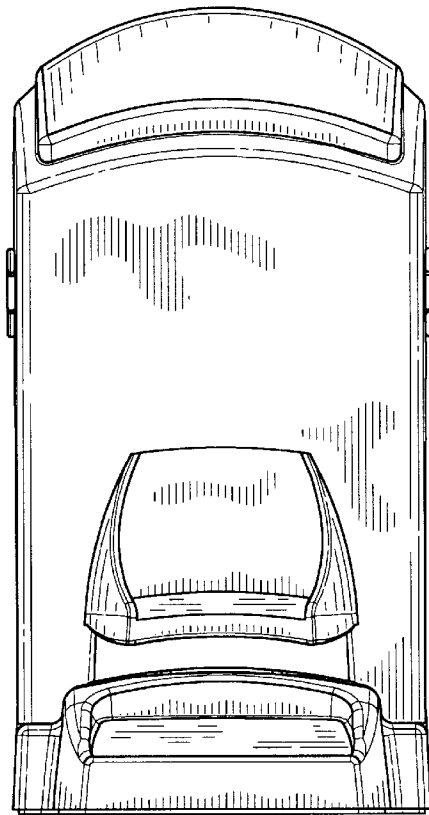


FIG-4

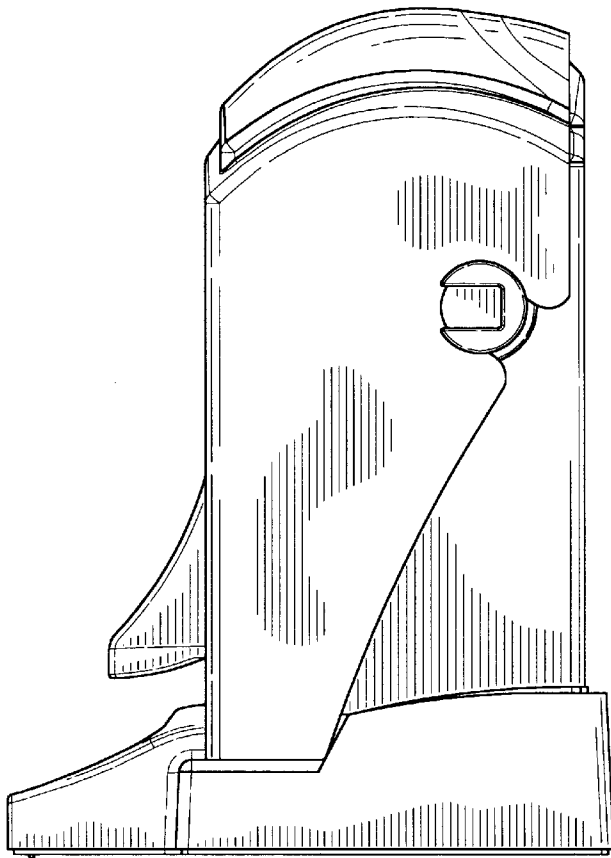


FIG-5

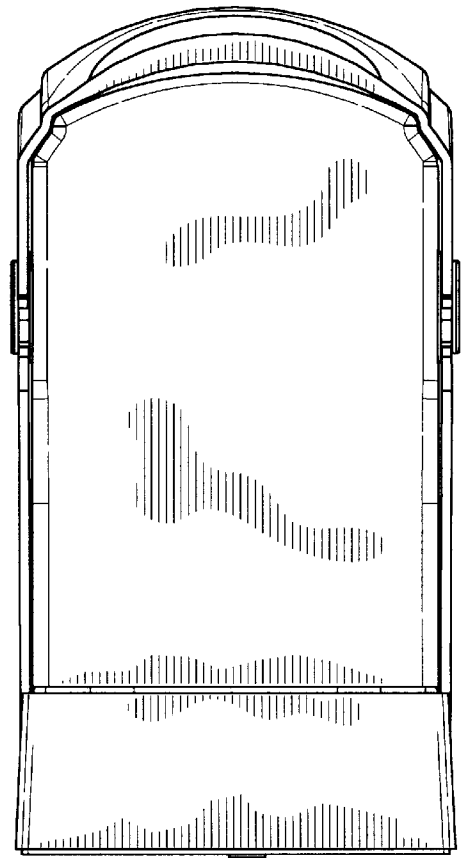


FIG-6