



US00D990799S

(12) **United States Design Patent**
Li et al.

(10) **Patent No.:** **US D990,799 S**

(45) **Date of Patent:** **** Jun. 27, 2023**

(54) **CLEANING ROBOT**

(71) Applicant: **Beijing Roborock Technology Co., Ltd.**, Beijing (CN)

(72) Inventors: **Haibin Li**, Beijing (CN); **Zhibin Zhang**, Beijing (CN); **Yanhui Liu**, Beijing (CN); **Fanwei Meng**, Beijing (CN)

(73) Assignee: **BEIJING ROBOROCK TECHNOLOGY CO., LTD.**, Beijing (CN)

(**) Term: **15 Years**

(21) Appl. No.: **35/514,277**

(22) Filed: **Apr. 26, 2022**

(80) **Hague Agreement Data**

Int. Filing Date: **Apr. 26, 2022**
Int. Reg. No.: **DM/220550**
Int. Reg. Date: **Apr. 26, 2022**
Int. Reg. Pub. Date: **May 13, 2022**

(30) **Foreign Application Priority Data**

Jan. 11, 2022 (CN) 202230016085.8

(51) **LOC (14) Cl.** **15-05**

(52) **U.S. Cl.**
USPC **D32/21**

(58) **Field of Classification Search**

USPC D32/15-25, 30-34
CPC ... A47L 5/24; A47L 5/26; A47L 5/367; A47L 7/0076; A47L 7/008; A47L 9/2857; A47L 2201/00; A47L 2201/04; A47L 2201/06
See application file for complete search history.

(56) **References Cited**

U.S. PATENT DOCUMENTS

9,788,698 B2 * 10/2017 Morin A47L 9/106
D890,457 S * 7/2020 Pearce D32/21

D903,961 S * 12/2020 Li D32/21
D906,607 S * 12/2020 Chen D32/21
D906,608 S * 12/2020 Li D32/21
10,912,433 B2 * 2/2021 Song A47L 11/162
D921,308 S * 6/2021 Cao D32/21

(Continued)

OTHER PUBLICATIONS

Roborock Q5+ Review—Q5 Robot Tested (on-line), dated Apr. 22, 2022. Retrieved from Internet Nov. 29, 2022, URL: <https://vachq.com/reviews/roborock-q5+> (4 pages) (Year: 2022).*

Primary Examiner — Kimberly Barnes

(74) *Attorney, Agent, or Firm* — Morgan, Lewis & Bockius LLP

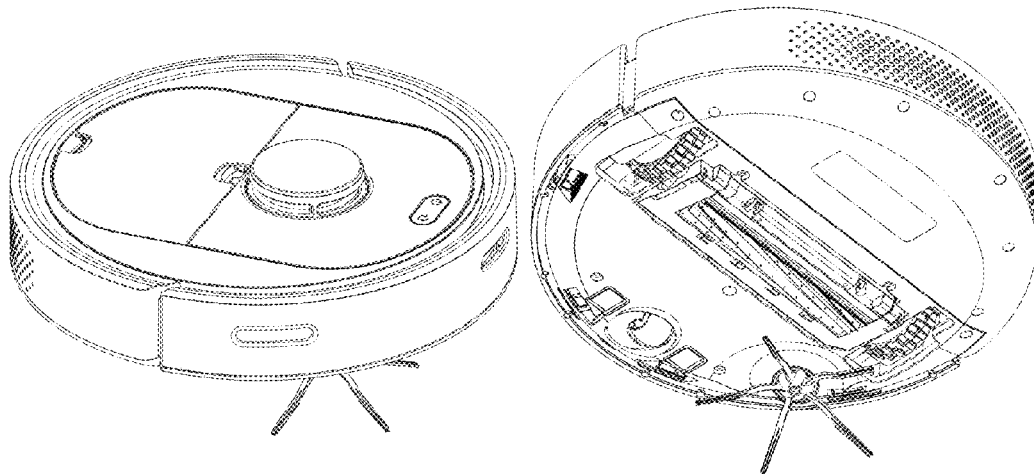
(57) **CLAIM**

We claim the ornamental design for a cleaning robot, as shown and described.

DESCRIPTION

- 1.1 is a front view of a first embodiment of a cleaning robot showing our new design;
- 1.2 is a back view thereof;
- 1.3 is a left view thereof;
- 1.4 is a right view thereof;
- 1.5 is a top view thereof;
- 1.6 is a bottom view thereof;
- 1.7 is a front perspective view thereof;
- 1.8 is a back perspective view thereof;
- 1.9 is another front perspective view thereof.
- 2.1 is a front view of a second embodiment of a cleaning robot;
- 2.2 is a back view thereof;
- 2.3 is a left view thereof;
- 2.4 is a right view thereof;
- 2.5 is a top view thereof;
- 2.6 is a bottom view thereof;
- 2.7 is a front perspective view thereof;
- 2.8 is back perspective view thereof; and
- 2.9 is another front perspective view thereof.

1 Claim, 18 Drawing Sheets



(56)

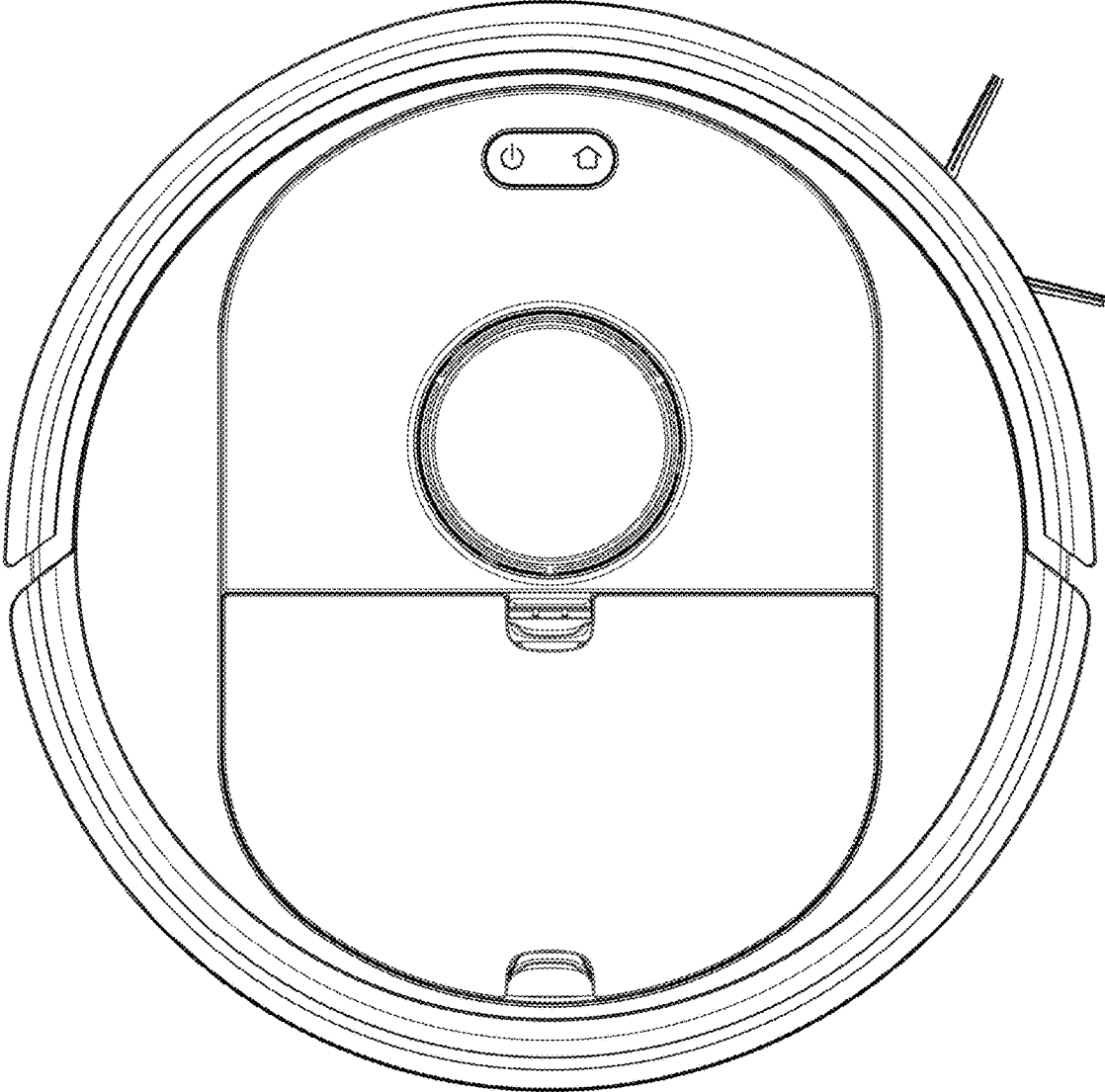
References Cited

U.S. PATENT DOCUMENTS

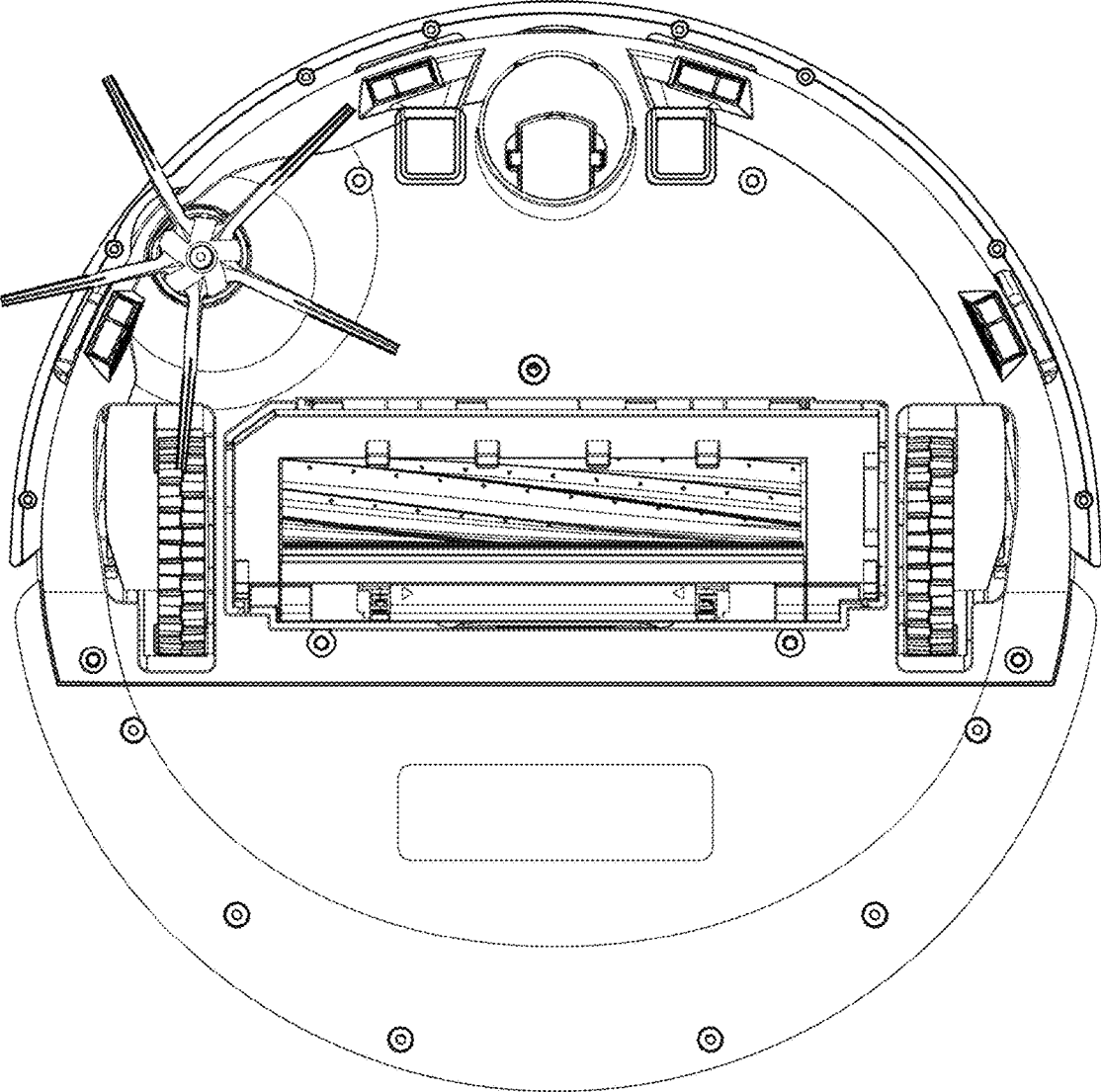
D921,309 S * 6/2021 Liu D32/21
D926,400 S * 7/2021 Kim D32/21
D932,123 S * 9/2021 Li D32/21
D935,712 S * 11/2021 Wang D32/21
D947,473 S * 3/2022 Chei D32/21
D948,143 S * 4/2022 Pearce D32/21
11,347,232 B2 * 5/2022 Chu G05D 1/0231
D955,073 S * 6/2022 Tan D32/21
D965,241 S * 9/2022 Tan D32/21
D965,932 S * 10/2022 Li D32/21
2022/0015593 A1 * 1/2022 Conrad A47L 9/2873
2022/0061608 A1 * 3/2022 Murad A47L 9/149

* cited by examiner

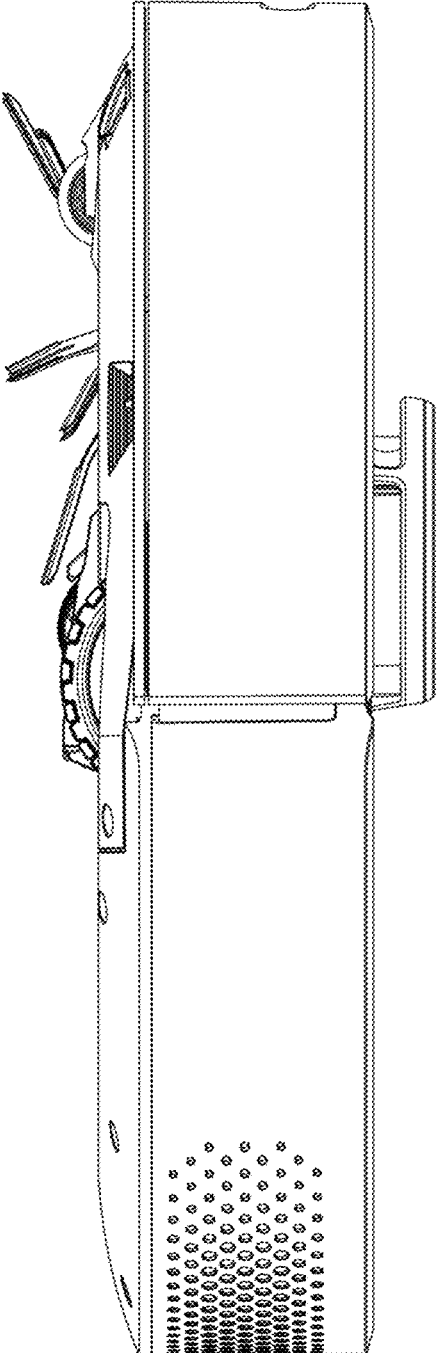
1.1



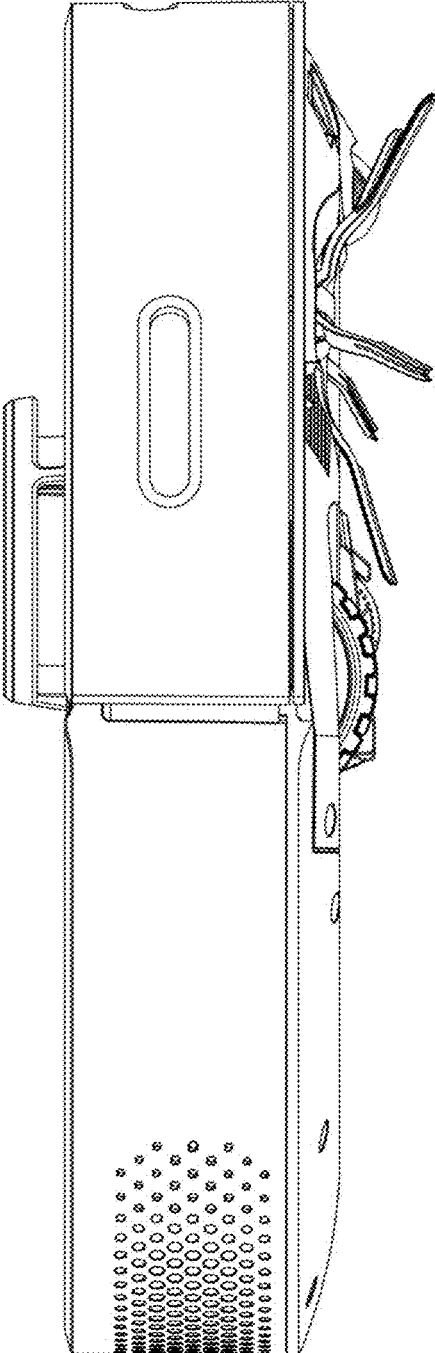
1.2



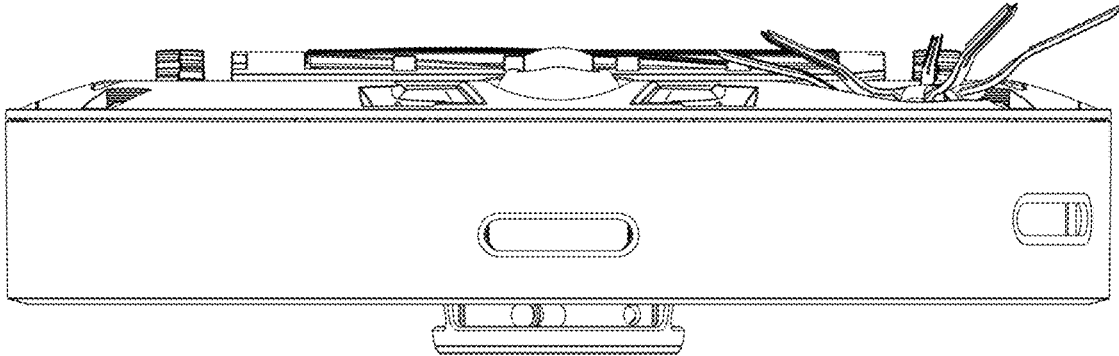
1.3



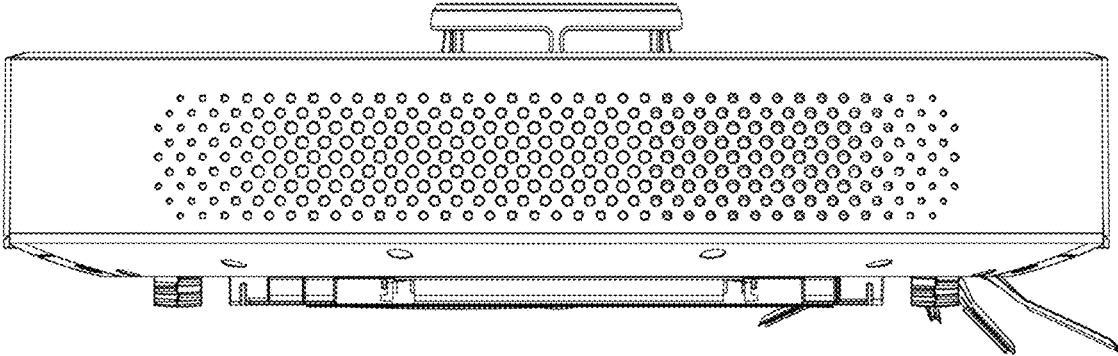
1.4



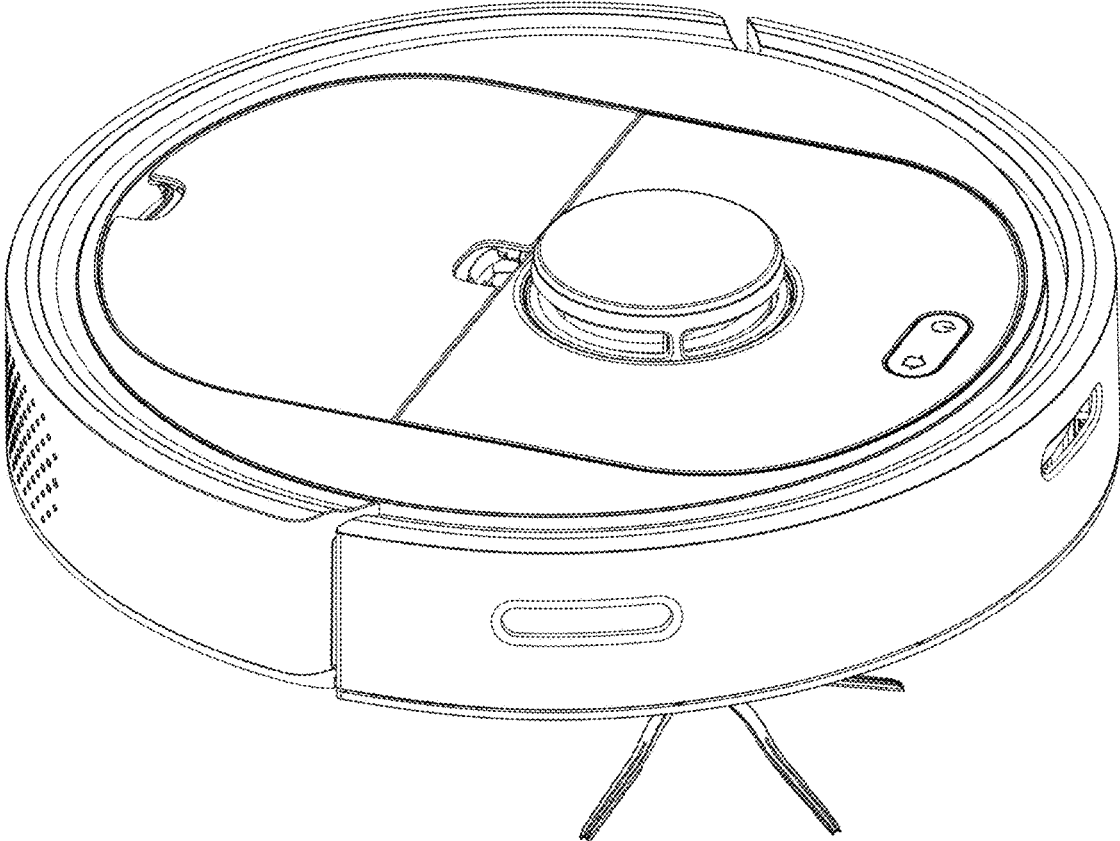
1.5



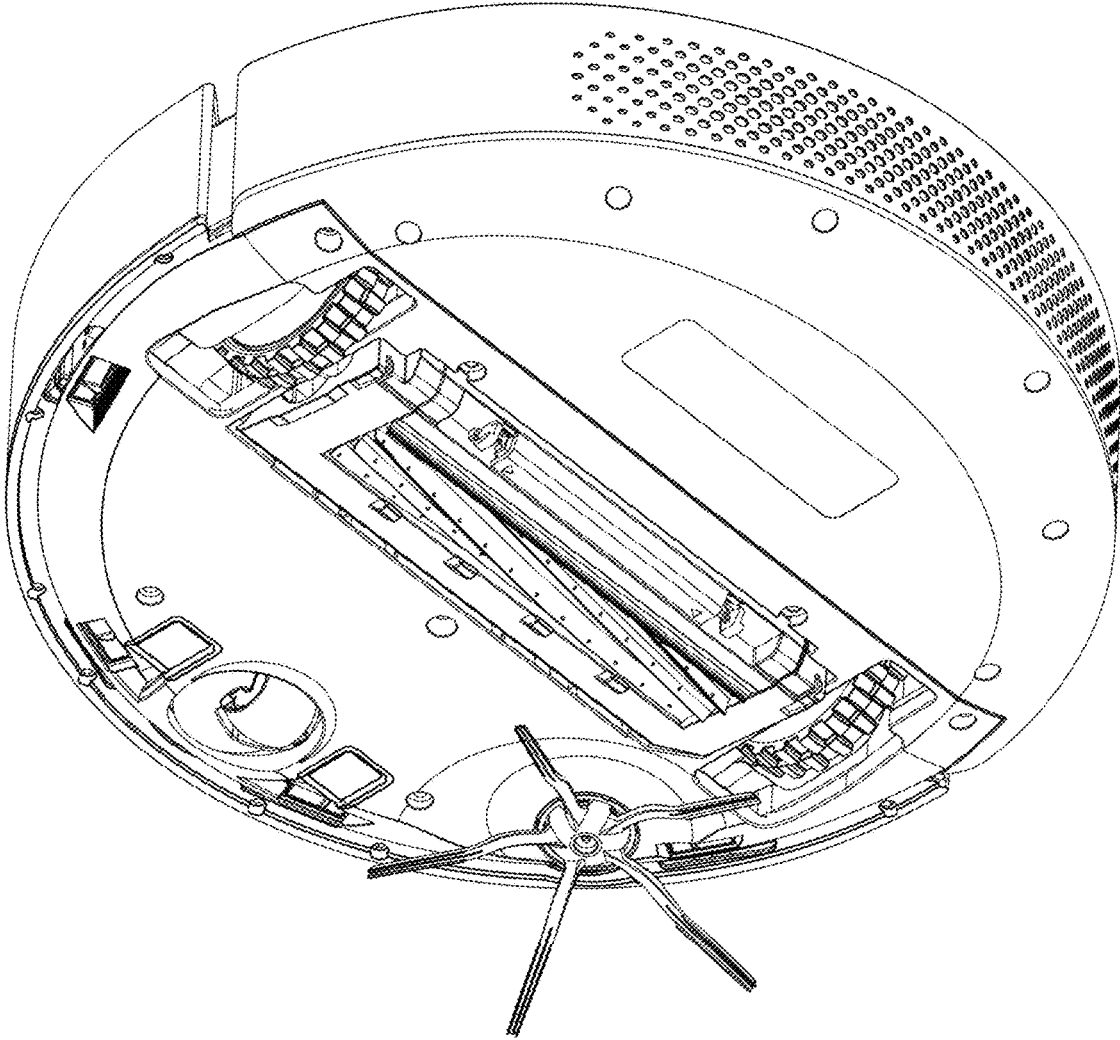
1.6



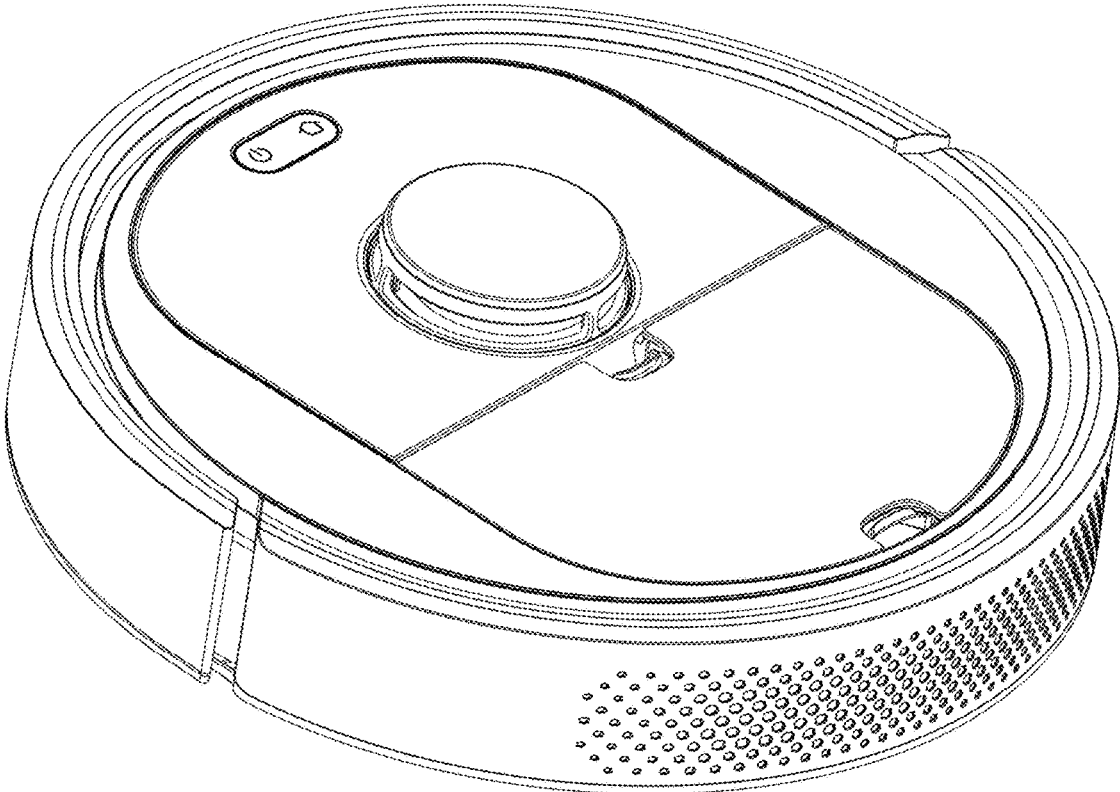
1.7



1.8



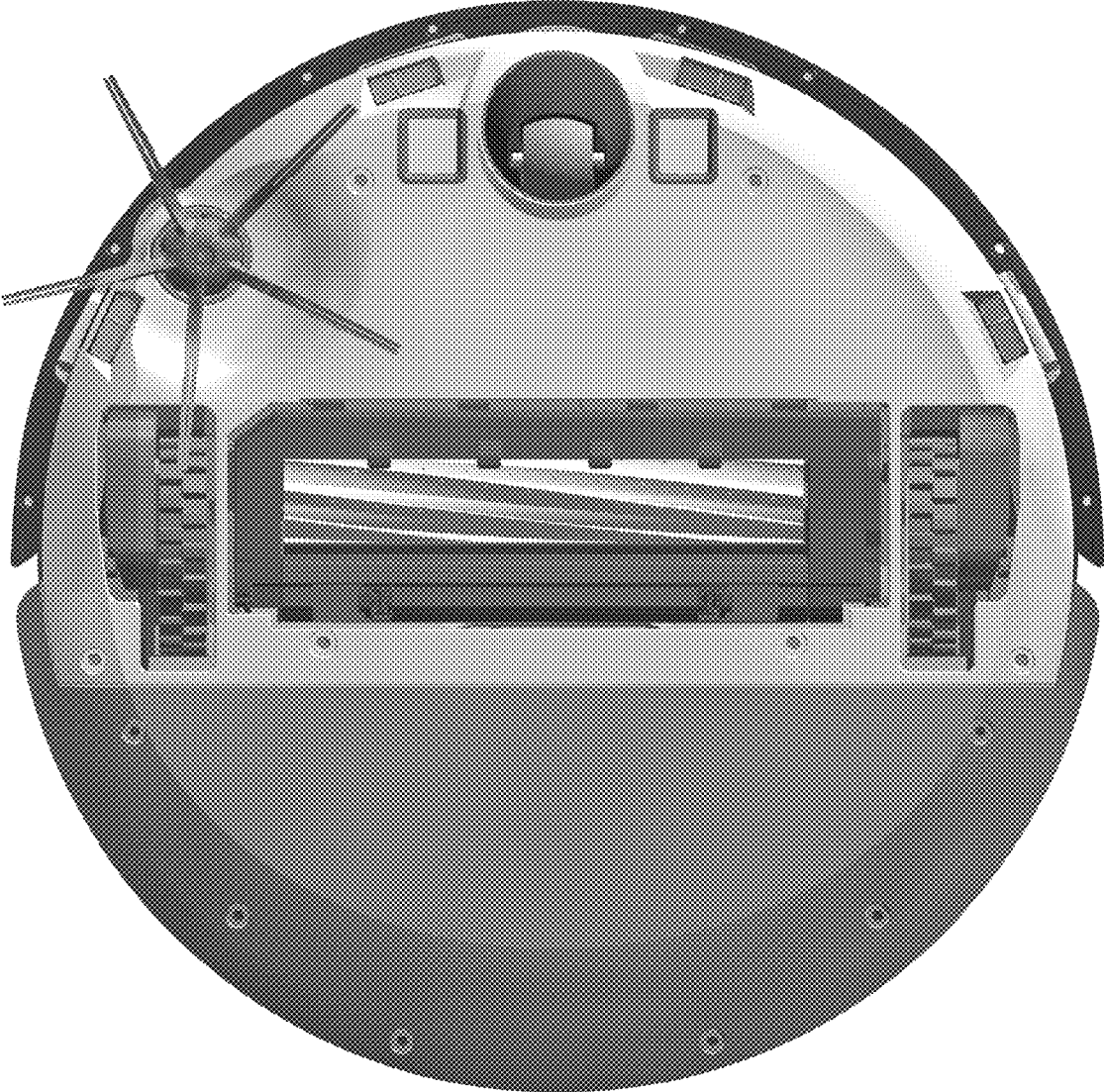
1.9



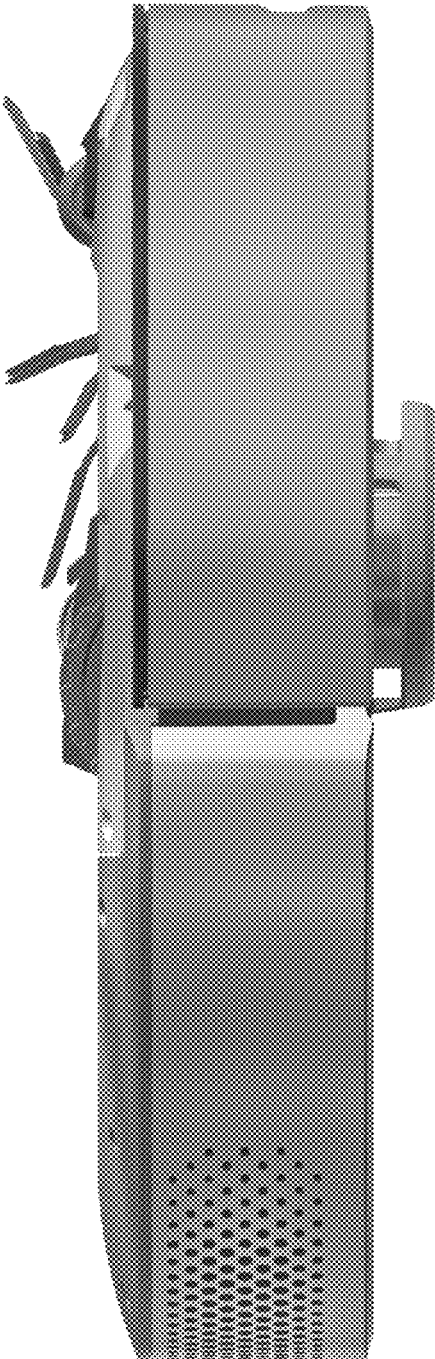
2.1



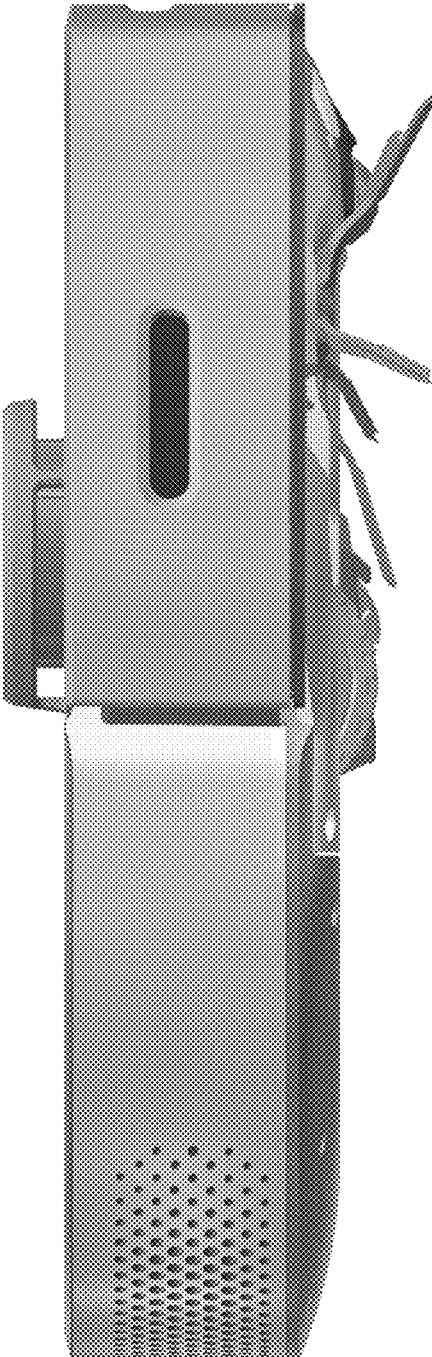
2.2



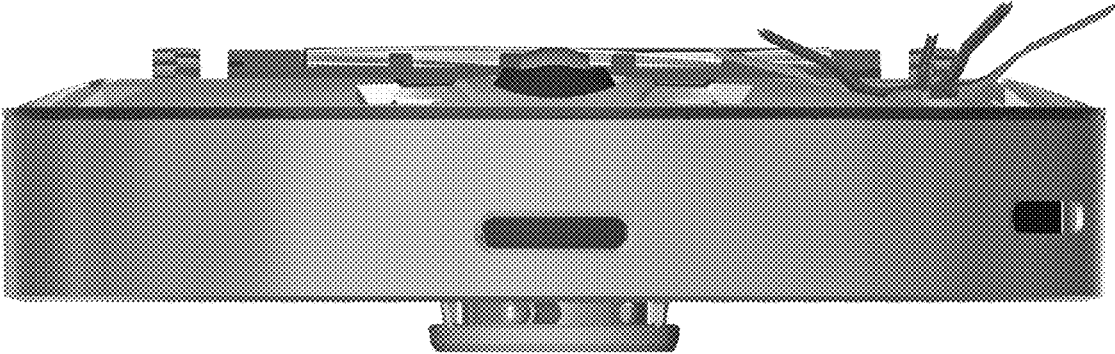
2.3



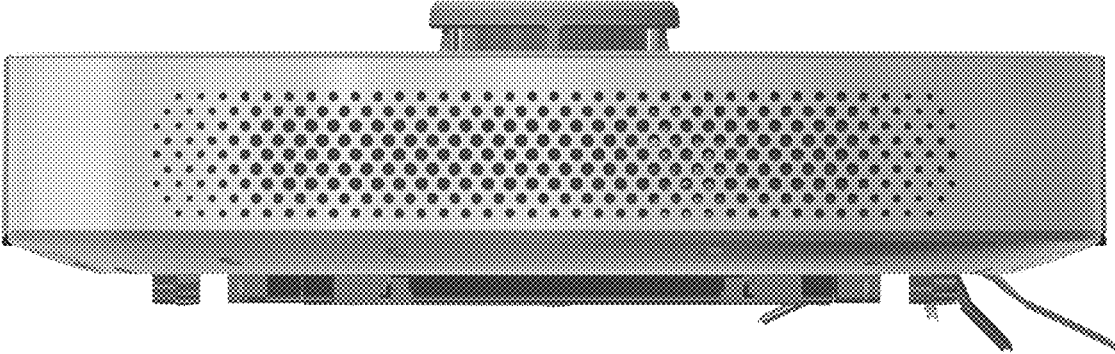
2.4



2.5



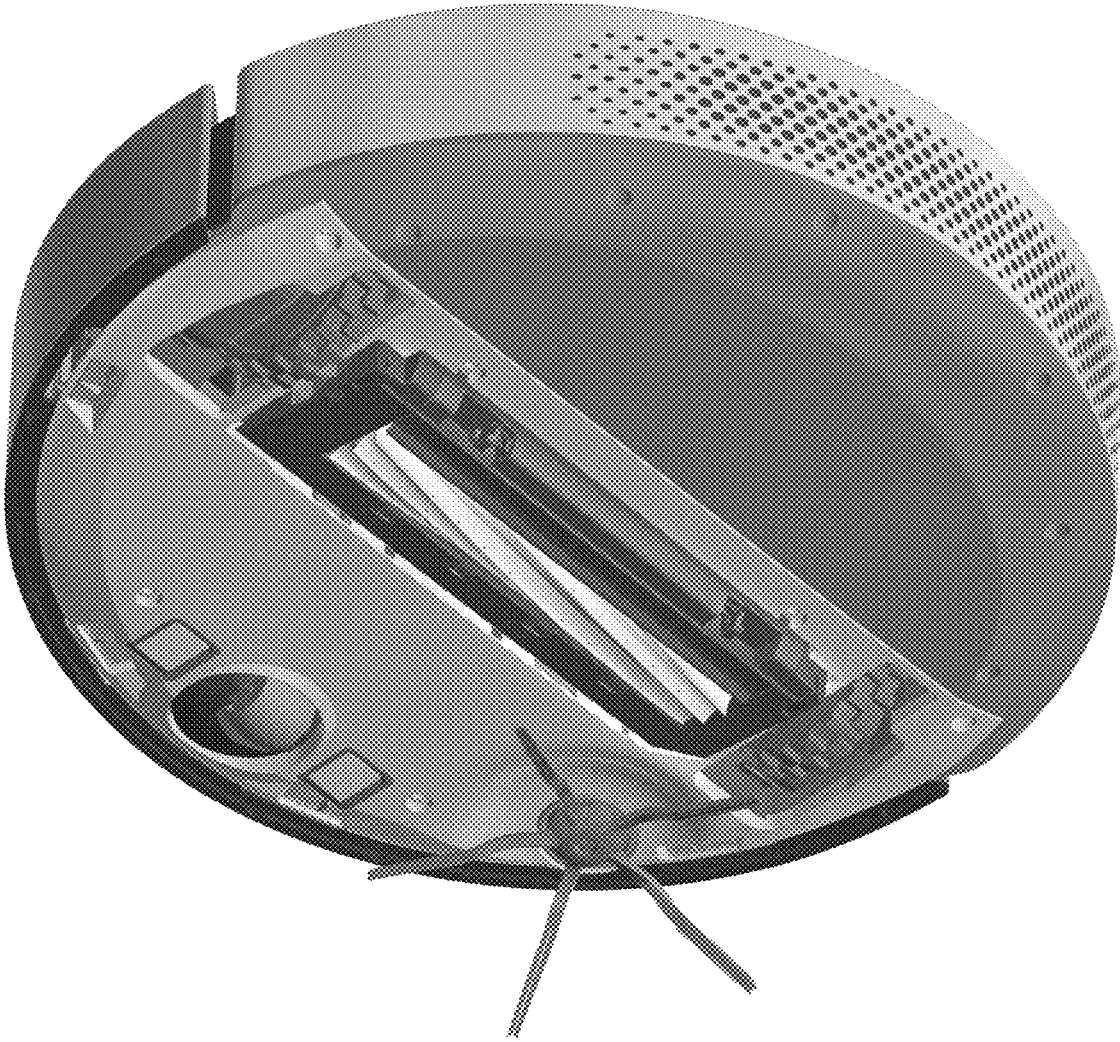
2.6



2.7



2.8



2.9

