



US00D641439S

(12) **United States Design Patent**
Rollinson et al.

(10) **Patent No.:** **US D641,439 S**

(45) **Date of Patent:** **** Jul. 12, 2011**

(54) **PUTTER HEAD**

(75) Inventors: **Augustin W. Rollinson**, Carlsbad, CA
(US); **Thomas R. Hilton**, Cardiff, CA
(US)

(73) Assignee: **Callaway Golf Company**, Carlsbad, CA
(US)

(**) Term: **14 Years**

(21) Appl. No.: **29/377,320**

(22) Filed: **Oct. 20, 2010**

(51) **LOC (9) Cl.** **21-02**

(52) **U.S. Cl.** **D21/736**

(58) **Field of Classification Search** D21/736-746;
473/324-331, 340-341, 251-256

See application file for complete search history.

(56) **References Cited**

U.S. PATENT DOCUMENTS

D574,908 S * 8/2008 Hettinger et al. D21/743
D577,398 S * 9/2008 Hilton D21/744

D591,371 S * 4/2009 Hilton D21/736
D621,460 S * 8/2010 Serrano et al. D21/742
D623,251 S * 9/2010 Rollinson D21/744

* cited by examiner

Primary Examiner — Mitchell Siegel

(74) *Attorney, Agent, or Firm* — Michael A. Catania;
Rebecca Hanovice; Sonia Lari

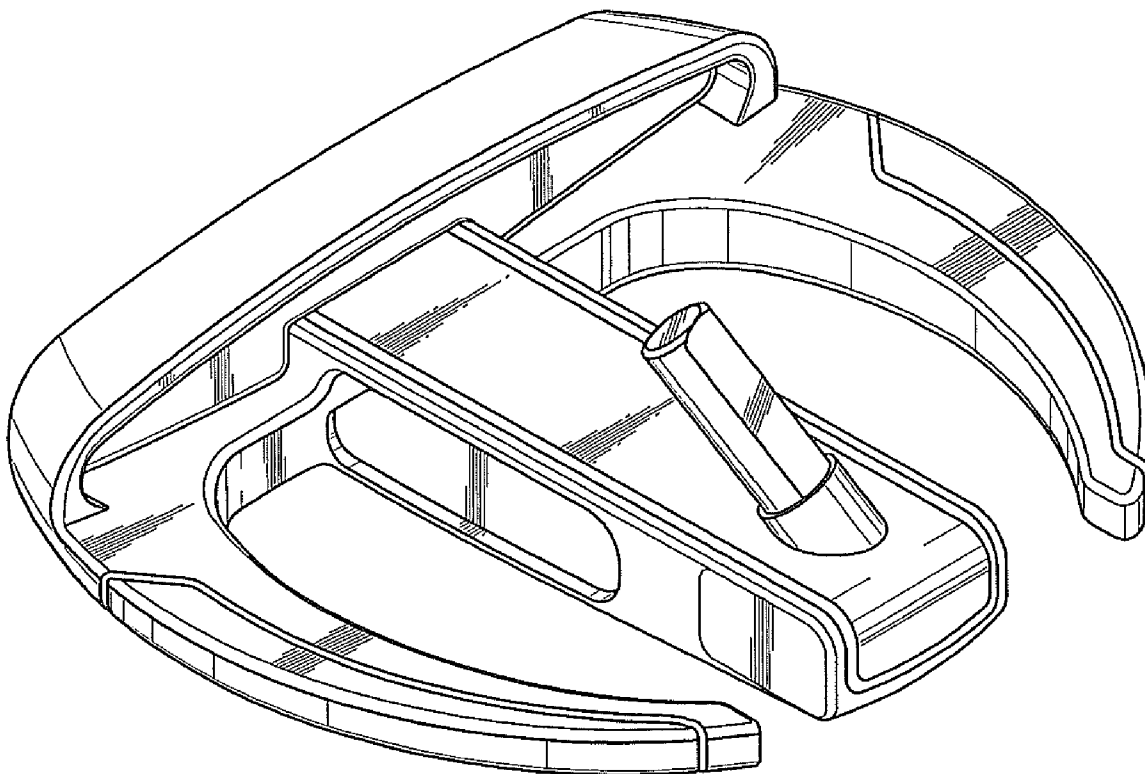
(57) **CLAIM**

The ornamental design for a putter head, as shown and described.

DESCRIPTION

FIG. 1 is a top perspective view of a putter head as claimed herein;
FIG. 2 is a front elevational view thereof;
FIG. 3 is a top plan view thereof;
FIG. 4 is a rear elevational view thereof;
FIG. 5 is a bottom plan view thereof;
FIG. 6 is a toe elevational view thereof; and,
FIG. 7 is a heel elevational view thereof.

1 Claim, 3 Drawing Sheets



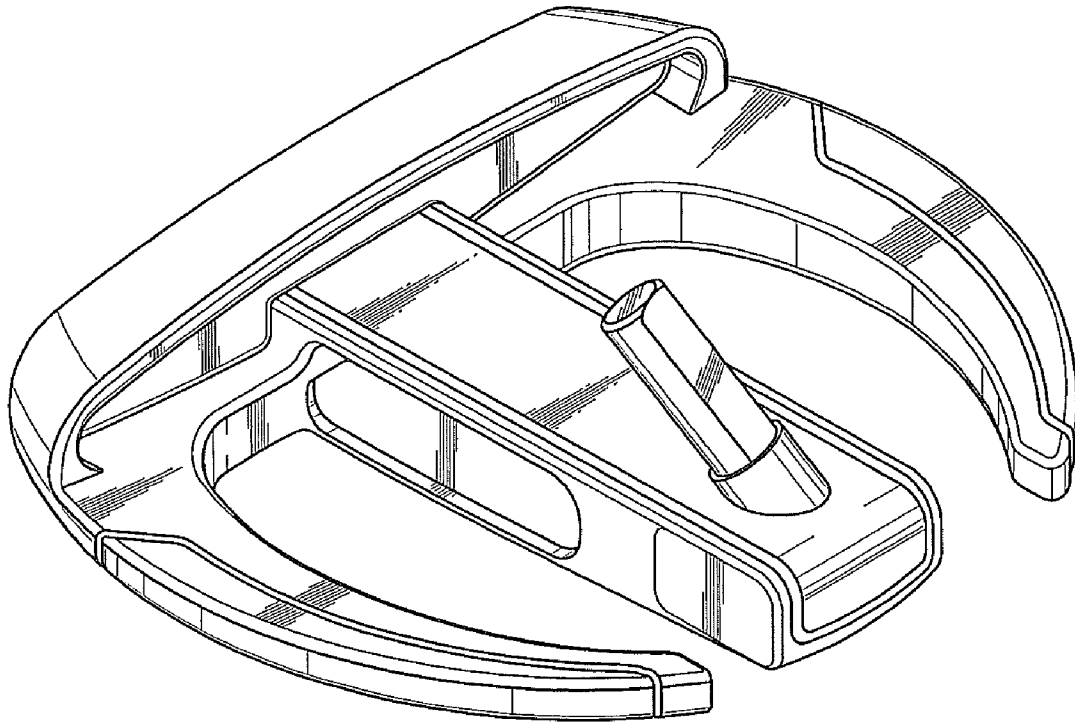


FIG. 1

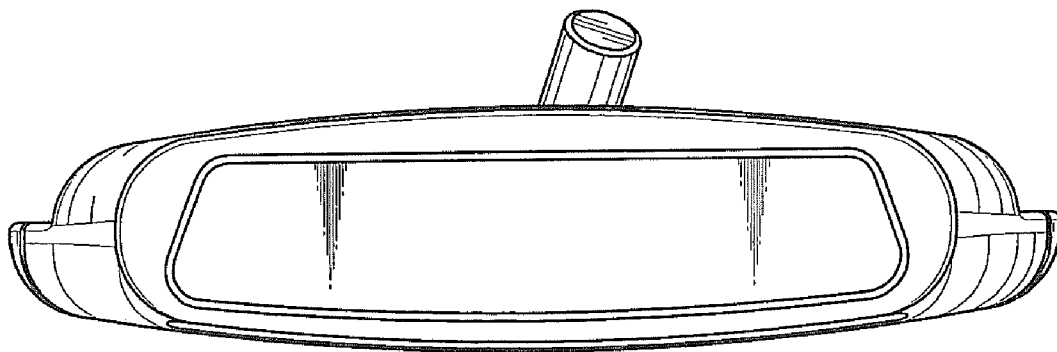


FIG. 2

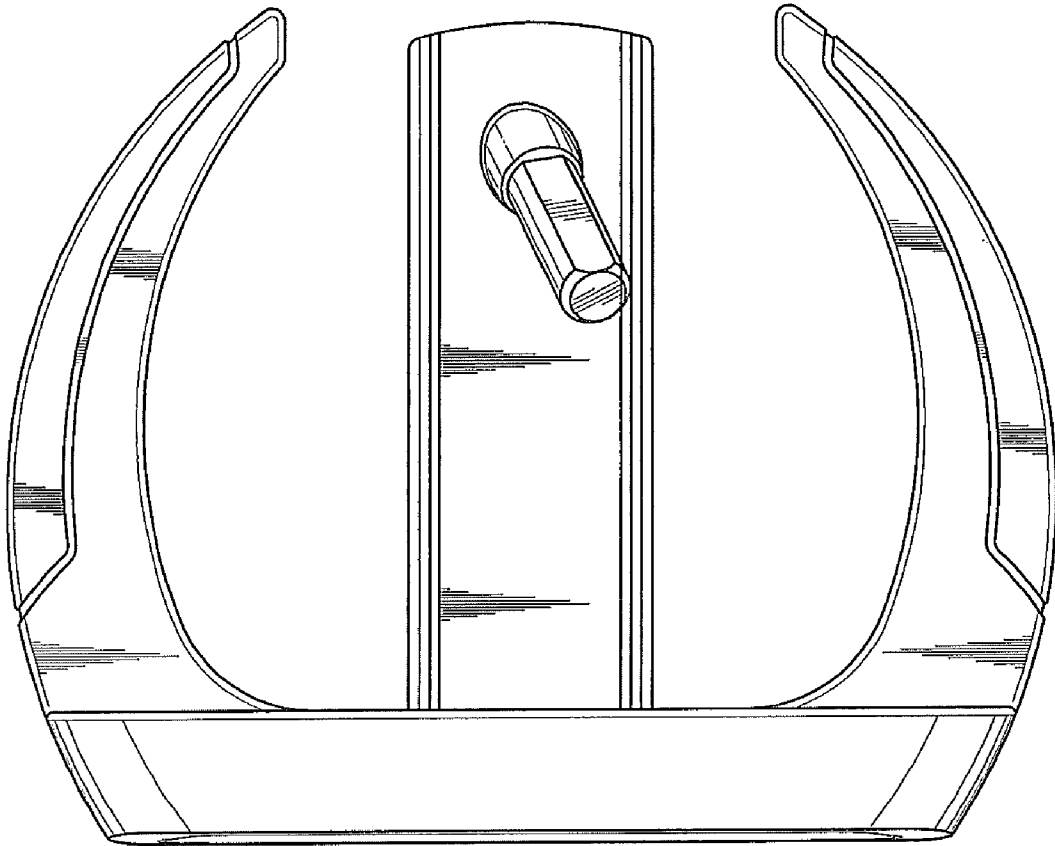


FIG. 3

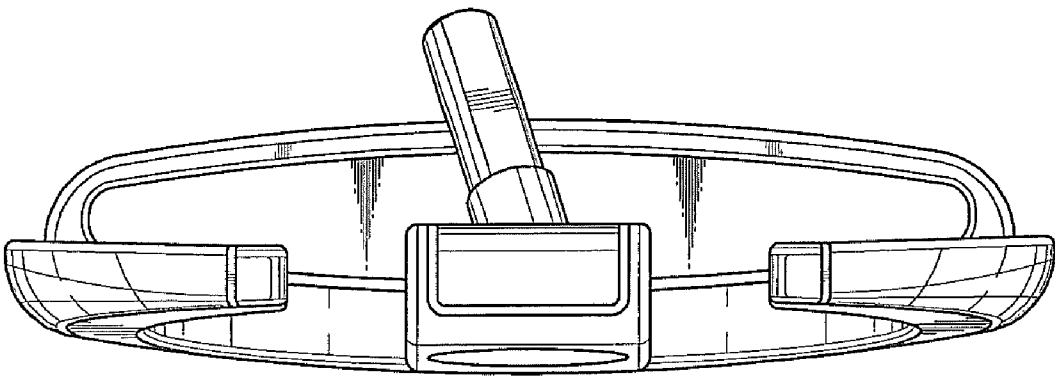


FIG. 4

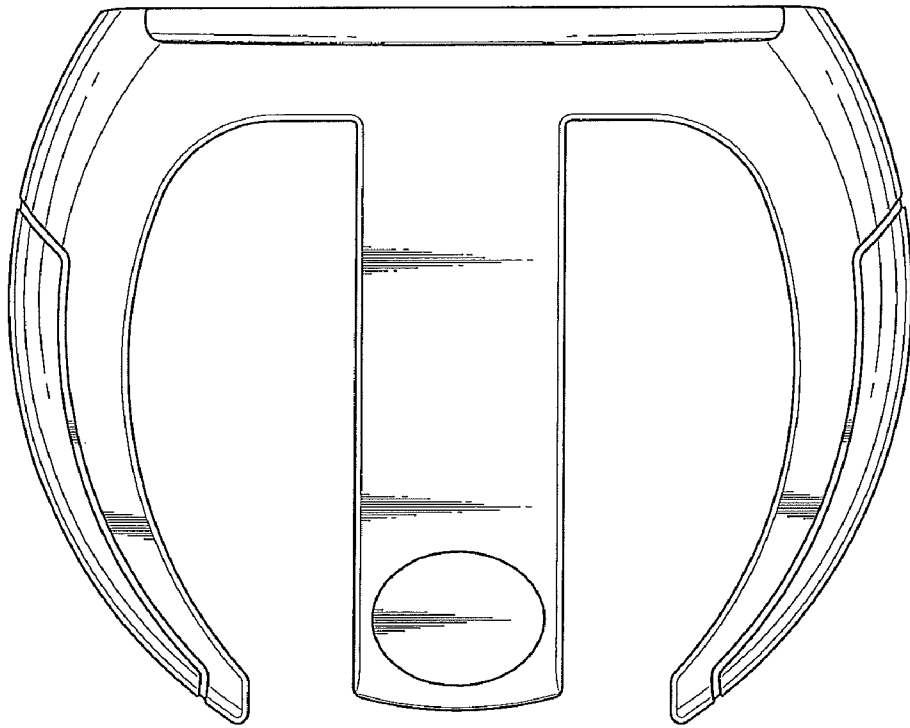


FIG. 5

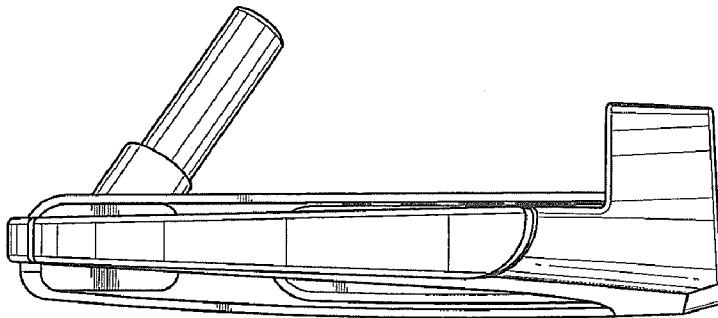


FIG. 6

FIG. 7

