



US00D709492S

(12) **United States Design Patent**
Ahn et al.

(10) **Patent No.:** **US D709,492 S**

(45) **Date of Patent:** **** Jul. 22, 2014**

(54) **TABLET COMPUTER**

(71) Applicant: **Samsung Electronics, Ltd**, Suwon-Si (KR)

(72) Inventors: **Dae Kyung Ahn**, Namyangjusi (KR); **Chul-Yong Cho**, Seoul (KR); **Sangmin Hyun**, Seoul (KR); **Eun Vit Chung**, Seoul (KR)

(73) Assignee: **Samsung Electronics Co., Ltd.**, Suwon-si (KR)

(**) Term: **14 Years**

(21) Appl. No.: **29/472,071**

(22) Filed: **Nov. 8, 2013**

(30) **Foreign Application Priority Data**

May 10, 2013 (KR) 30-2013-0024840

(51) **LOC (10) Cl.** **14-02**

(52) **U.S. Cl.**
USPC **D14/345**

(58) **Field of Classification Search**
USPC D14/341–347, 336, 337, 371, 374, 138, D14/496; D10/65; 345/173, 901, 104, 133, 345/156, 168; 348/180, 184, 325, 739, 373, 348/376; 385/88; 710/62; 455/575.3, 575.1
See application file for complete search history.

(56) **References Cited**

U.S. PATENT DOCUMENTS

D391,987 S *	3/1998	Jambhekar et al.	D14/345
D445,787 S *	7/2001	Francis	D14/345
D493,463 S *	7/2004	Takahashi	D14/373
D517,545 S *	3/2006	Buckel et al.	D14/345
D584,726 S *	1/2009	Morita	D14/341
D585,444 S *	1/2009	Verschoor	D14/345
D610,612 S *	2/2010	Rhee	D19/26
D618,683 S *	6/2010	Wilson et al.	D14/371

D624,517 S *	9/2010	Lee et al.	D14/138 AB
D626,124 S *	10/2010	Chyan et al.	D14/341
D631,455 S *	1/2011	Kim et al.	D14/138 AB
D635,567 S *	4/2011	Rashid et al.	D14/341
D639,806 S *	6/2011	Lee et al.	D14/345
D641,353 S *	7/2011	Rashid et al.	D14/341
D658,173 S *	4/2012	Kim	D14/345
D678,300 S *	3/2013	Groene et al.	D14/455
D684,978 S *	6/2013	Phillips et al.	D14/440
D685,781 S *	7/2013	Adams	D14/315
D696,253 S *	12/2013	Akana et al.	D14/345
D696,254 S *	12/2013	Groene et al.	D14/345

* cited by examiner

Primary Examiner — Barbara Fox

(74) Attorney, Agent, or Firm — NSIP Law

(57) **CLAIM**

The ornamental design for an tablet computer, as shown and described.

DESCRIPTION

FIG. 1 is a front perspective view of a tablet computer showing our new design;
 FIG. 2 is a front view thereof;
 FIG. 3 is a rear view thereof;
 FIG. 4 is a left-side view thereof;
 FIG. 5 is a right-side view thereof;
 FIG. 6 is a top view thereof;
 FIG. 7 is a bottom thereof;
 FIG. 8 is another front perspective view, in which the tablet computer is shown in a connected position;
 FIG. 9 is a left-side view, in which the tablet computer is shown in a closed position to illustrate an example environment; and,
 FIG. 10 is a left-side view of the tablet computer, in which a stand portion of the tablet computer is provided in an open position to illustrate an example environment.
 The broken lines shown in the drawings represent portions of the tablet computer which form no part of the claimed design.

1 Claim, 9 Drawing Sheets

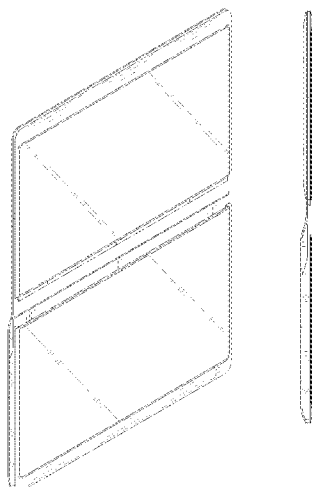


FIG. 1

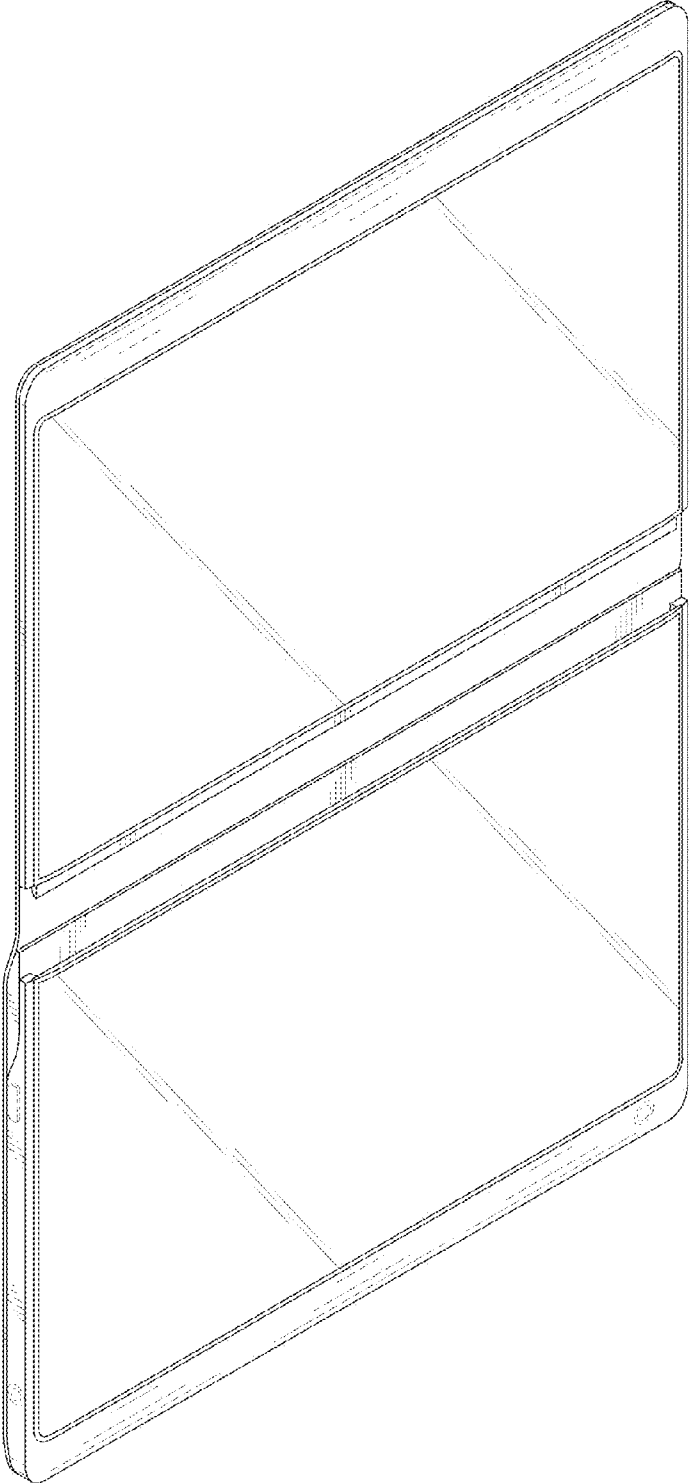


FIG. 2

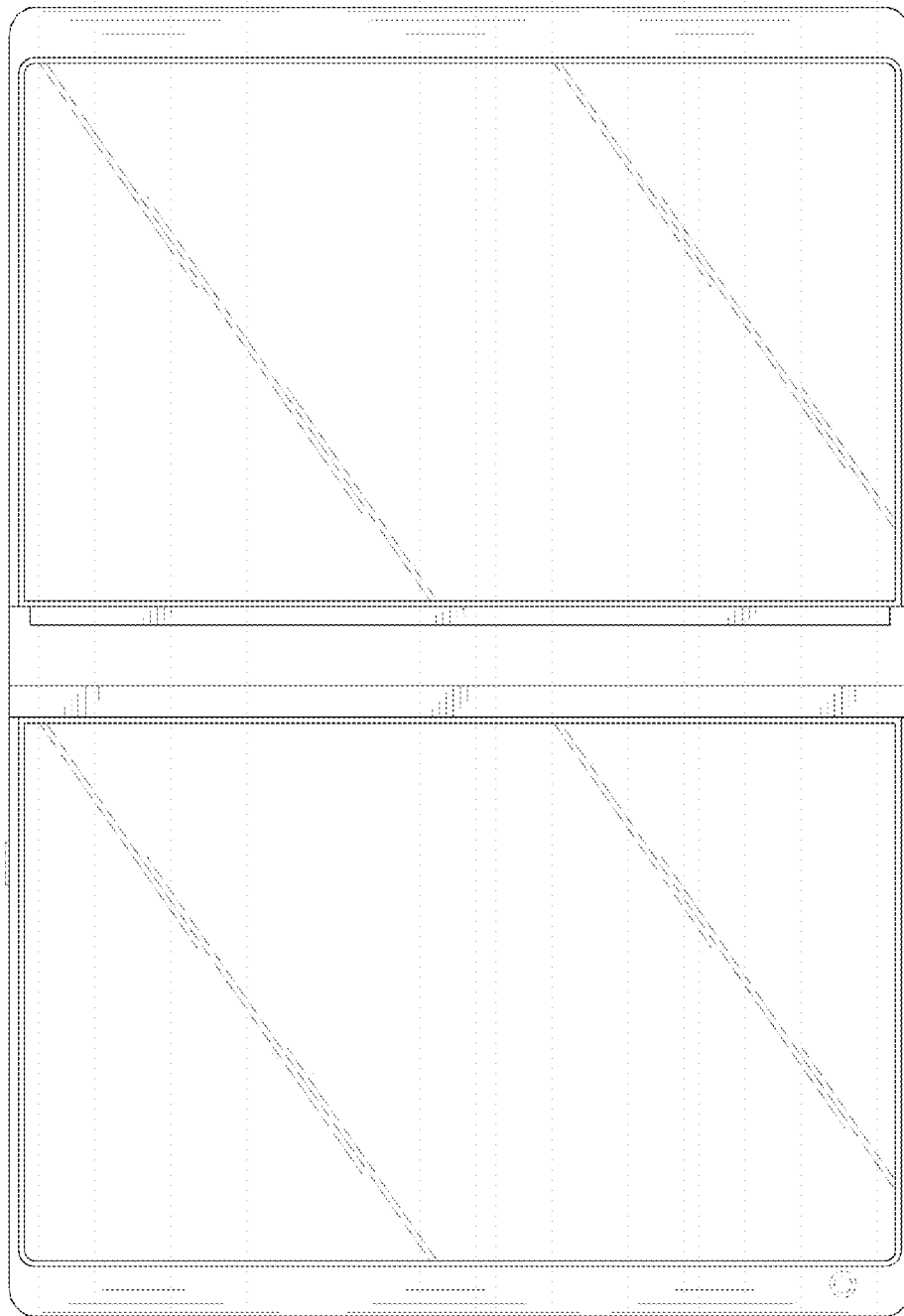


FIG. 3

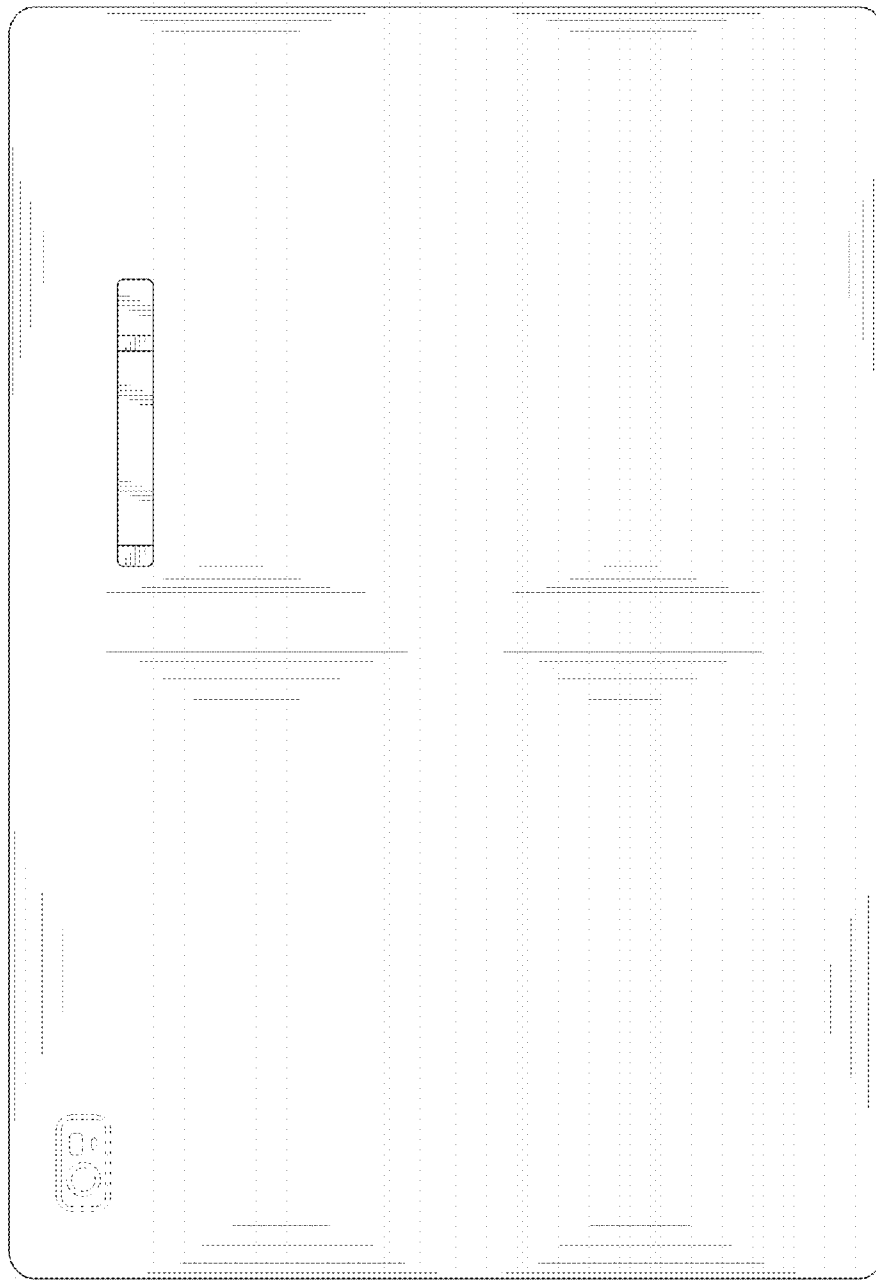


FIG. 4

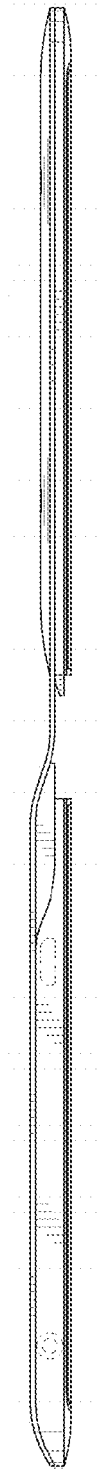


FIG. 5

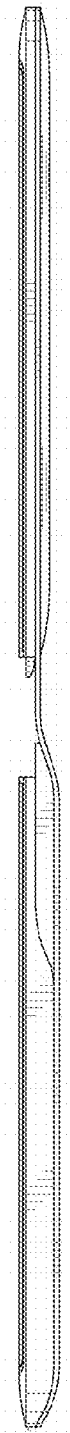


FIG. 6

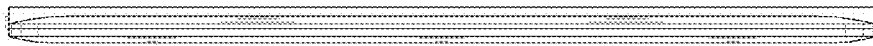


FIG. 7

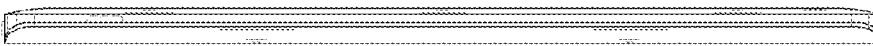


FIG. 8

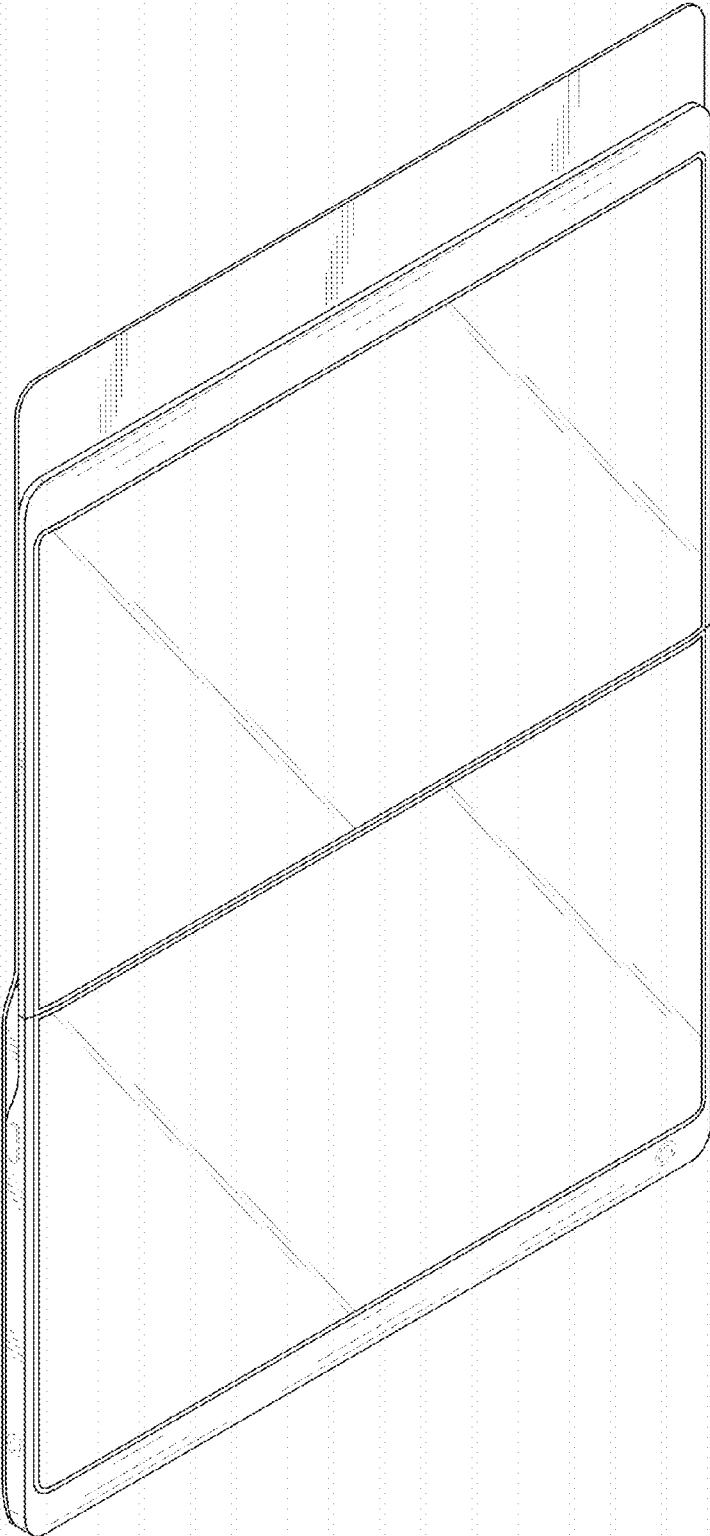


FIG. 9



FIG. 10

