

[54] **BATTERY OR SIMILAR ARTICLE**

[75] Inventors: **William J. Scheid**, Coral Springs;
Richard J. Toth, Boca Raton, both of
Fla.

[73] Assignee: **Motorola, Inc.**, Schaumburg, Ill.

[**] Term: **14 Years**

[21] Appl. No.: **432,240**

[22] Filed: **Oct. 1, 1982**

[52] U.S. Cl. **D13/8**

[58] **Field of Search** **D13/8, 9, 10;**
429/96-100, 121, 159; **D26/37; 362/194, 195,**
197, 200, 201; **D14/68, 70, 95**

[56] **References Cited**

U.S. PATENT DOCUMENTS

D. 250,530	12/1978	Kaye	D13/8
925,452	6/1909	Brown	429/99
3,887,394	6/1975	Kaye	429/99
4,186,983	2/1980	Kaye	429/97 X

FOREIGN PATENT DOCUMENTS

164235 6/1921 United Kingdom 429/97

Primary Examiner—Susan J. Lucas

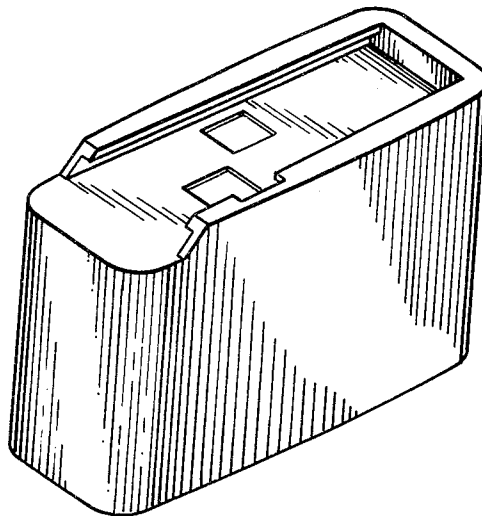
Attorney, Agent, or Firm—Joseph T. Downey; Edward
M. Roney; Donald B. Southard

[57] **CLAIM**

The ornamental design for a battery or similar article,
substantially as shown and described.

DESCRIPTION

FIG. 1 is a top perspective view of a battery or similar
article showing our new design;
FIG. 2 is a side elevation view thereof;
FIG. 3 is a rear elevation view thereof;
FIG. 4 is a bottom plan view thereof; and
FIG. 5 is a top perspective view of a second embodi-
ment of our new design, the second embodiment differ-
ing from the first only in height.
FIG. 6 is a top plan view common to both embodi-
ments.



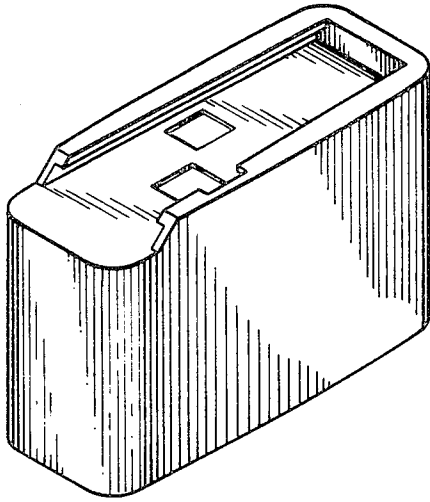


Fig. 1



Fig. 2

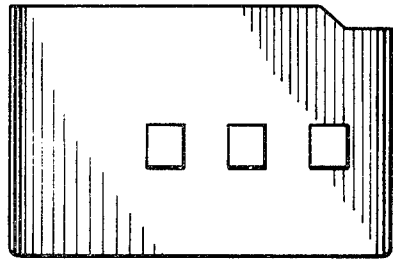


Fig. 3

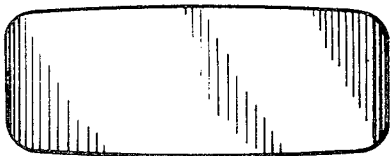


Fig. 4

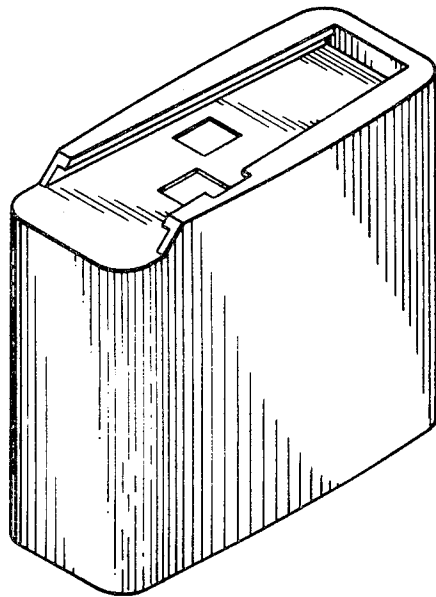


Fig. 5

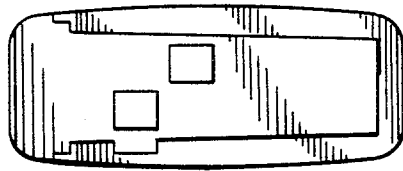


FIG. 5