



US00D789057S

(12) **United States Design Patent**  
**da Costa Pereira Machado**

(10) **Patent No.:** **US D789,057 S**

(45) **Date of Patent:** **\*\* Jun. 13, 2017**

- (54) **SHOE OUTSOLE**
- (71) Applicant: **NIKE, Inc.**, Beaverton, OR (US)
- (72) Inventor: **Fabricio da Costa Pereira Machado**,  
Portland, OR (US)
- (73) Assignee: **NIKE, Inc.**, Beaverton, OR (US)
- (\*\*) Term: **15 Years**
- (21) Appl. No.: **29/540,197**

D625,500 S *	10/2010	Dekovic	.....	D2/951
D686,405 S	7/2013	Little		
D708,831 S	7/2014	Petrie		
D710,582 S	8/2014	Chang		
D713,629 S	9/2014	Petrie		
D721,226 S	1/2015	Petrie et al.		
D727,610 S *	4/2015	Francis	.....	D2/951
D734,602 S *	7/2015	Blankinship	.....	D2/951
D738,601 S *	9/2015	Hubner	.....	D2/951
D744,217 S *	12/2015	Hardman	.....	D2/951
D755,490 S *	5/2016	Nakano	.....	D2/951
D765,372 S *	9/2016	Petrie	.....	D2/951
D770,155 S *	11/2016	Petrie	.....	D2/951
D778,560 S *	2/2017	O'Connor	.....	D2/951

(Continued)

- (22) Filed: **Sep. 22, 2015**
- (51) **LOC (10) Cl.** ..... **02-04**
- (52) **U.S. Cl.**  
USPC ..... **D2/958**; D2/951; D2/960
- (58) **Field of Classification Search**  
USPC ..... D2/902, 906, 908, 916, 918, 925,  
D2/946-962, 977; 36/3 B, 22 R, 24.5,  
36/25 R, 28, 32 R, 34 R, 59 C, 67 A, 103  
CPC ..... A43B 13/00; A43B 13/02; A43B 13/023;  
A43B 13/026; A43B 13/04; A43B 13/08;  
A43B 13/10; A43B 13/12; A43B 13/14;  
A43B 13/141; A43B 13/143; A43B  
13/16; A43B 13/18; A43B 13/181; A43B  
13/187; A43B 13/189; A43B 13/20; A43B  
13/22; A43B 13/223; A43B 13/24; A43B  
13/28; A43B 13/30; A43B 13/32; A43B  
13/34; A43B 13/36

See application file for complete search history.

*Primary Examiner* — T. Chase Nelson

(74) *Attorney, Agent, or Firm* — Banner & Witcoff, Ltd.

(57) **CLAIM**

The ornamental design for a shoe outsole, as shown and described.

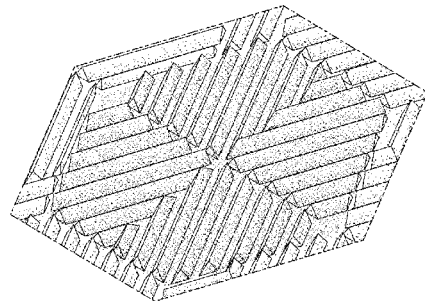
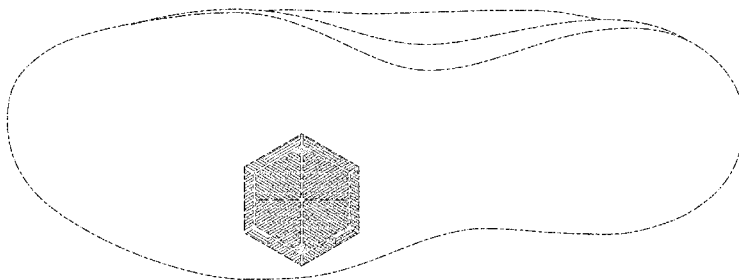
**DESCRIPTION**

FIG. 1 is a front perspective view of a shoe outsole showing my new design;  
 FIG. 2 is a bottom view thereof;  
 FIG. 3 is a rear perspective view thereof;  
 FIG. 4 is an enlarged view of the claimed region in FIG. 1, shown in isolation;  
 FIG. 5 is an enlarged view of the claimed region in FIG. 2, shown in isolation; and,  
 FIG. 6 is an enlarged view of the claimed region in FIG. 3, shown in isolation.

The broken lines immediately adjacent to the shaded area represent unclaimed boundaries of the design. The broken lines showing the remainder of the shoe are for environmental purposes only and form no part of the claimed design. The contrast in shading represents a contrast in appearance only and does not represent any particular color, material, texture or finish.

**1 Claim, 6 Drawing Sheets**

- (56) **References Cited**  
U.S. PATENT DOCUMENTS
- |            |         |                |
|------------|---------|----------------|
| D248,065 S | 6/1978  | Batra          |
| D255,176 S | 6/1980  | Fuzita         |
| D263,645 S | 4/1982  | Mastrantuone   |
| D308,285 S | 6/1990  | Serna          |
| D310,295 S | 9/1990  | Boucher et al. |
| D461,039 S | 8/2002  | Polifroni      |
| D512,821 S | 12/2005 | Lee            |



(56)

**References Cited**

U.S. PATENT DOCUMENTS

D778,561 S *	2/2017	Petrie .....	D2/947
D780,419 S *	3/2017	Petrie .....	D2/951
2014/0130370 A1 *	5/2014	Knudson .....	A43B 5/001
			36/28

\* cited by examiner

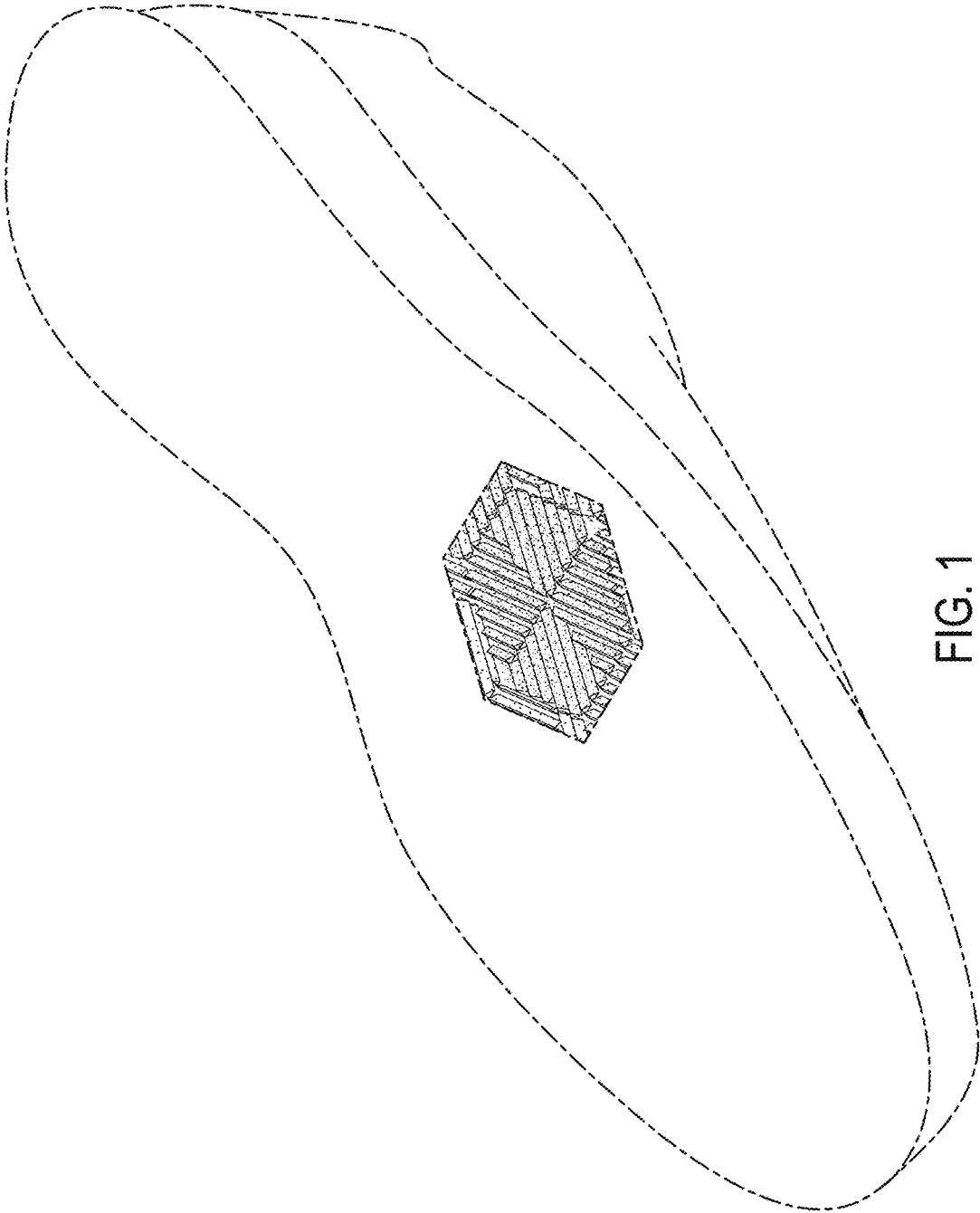


FIG. 1

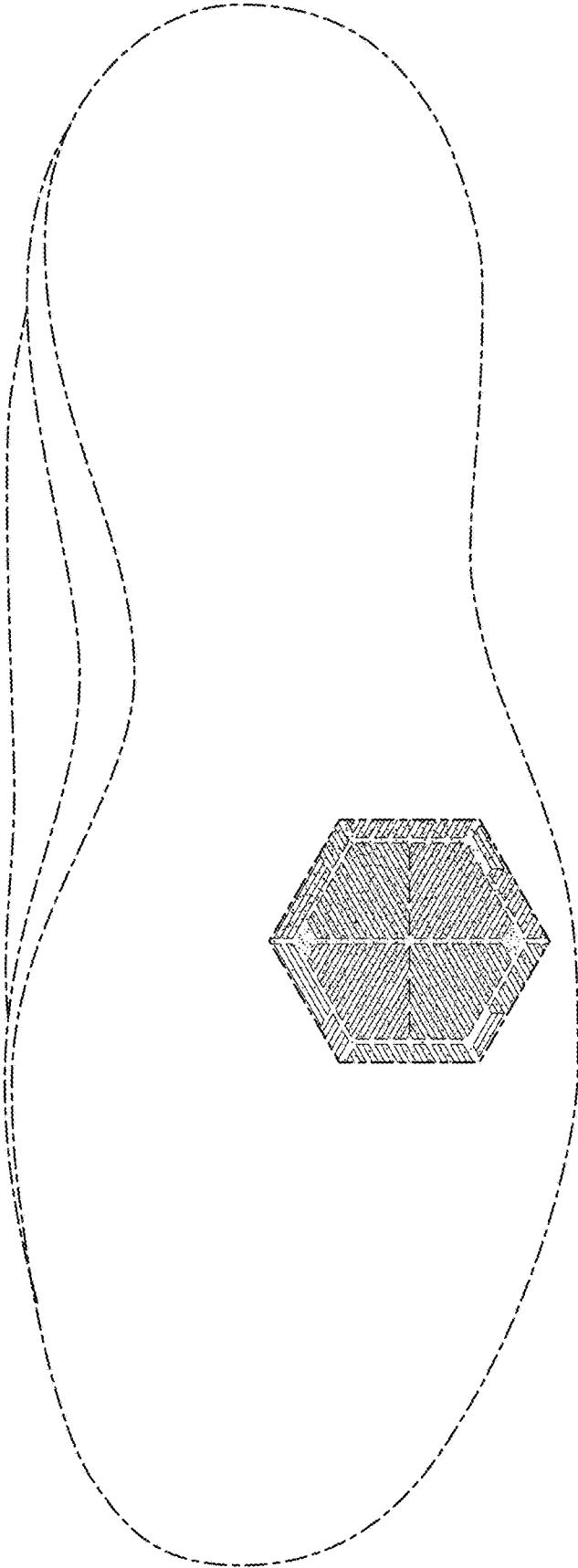


FIG. 2

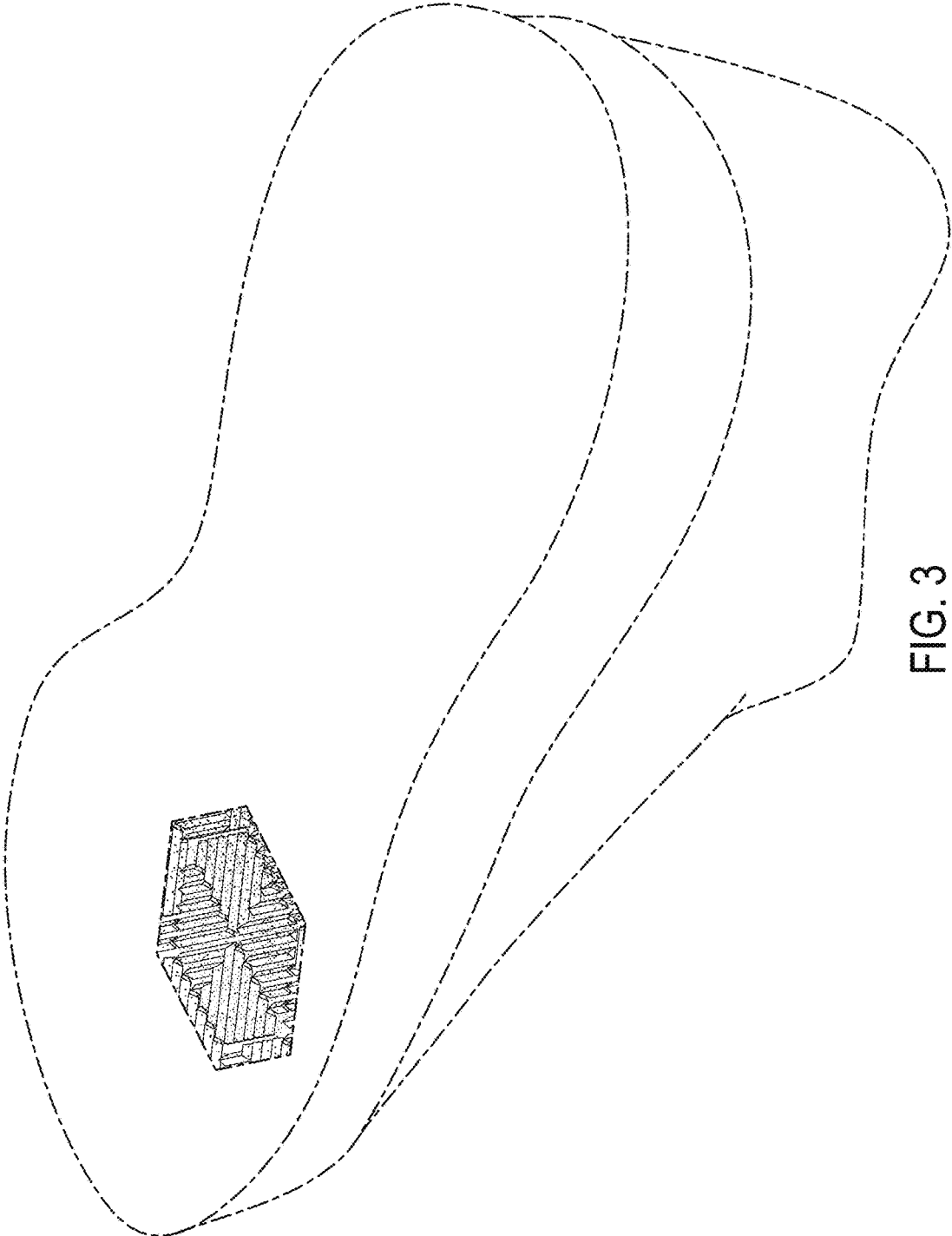


FIG. 3

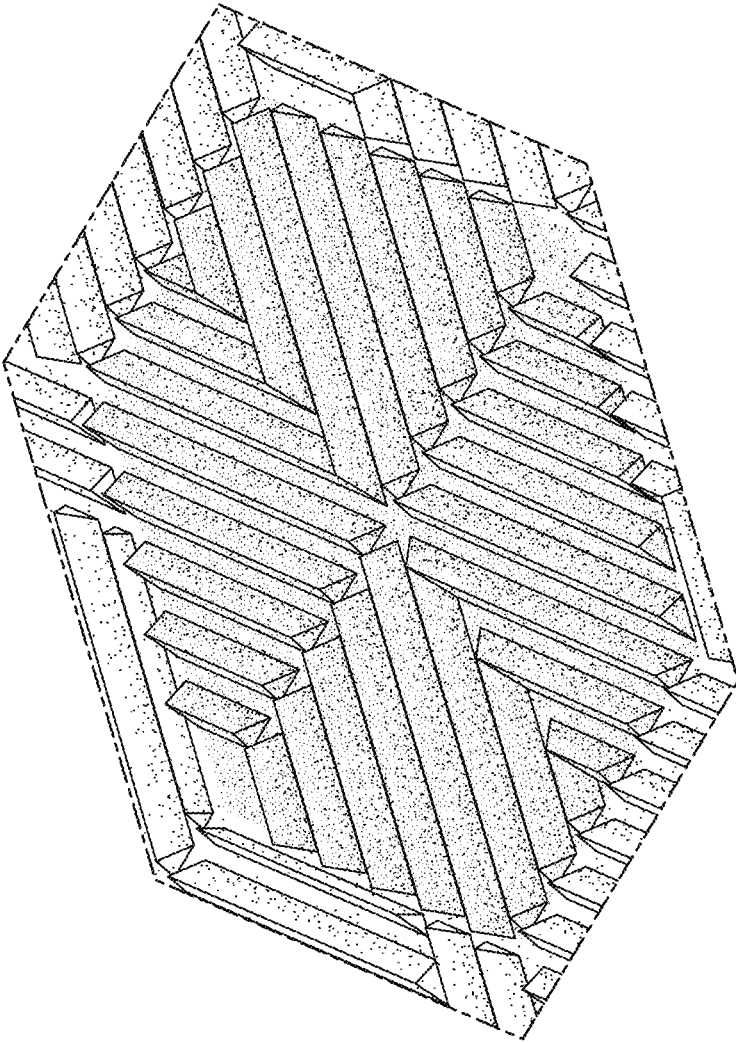


FIG. 4

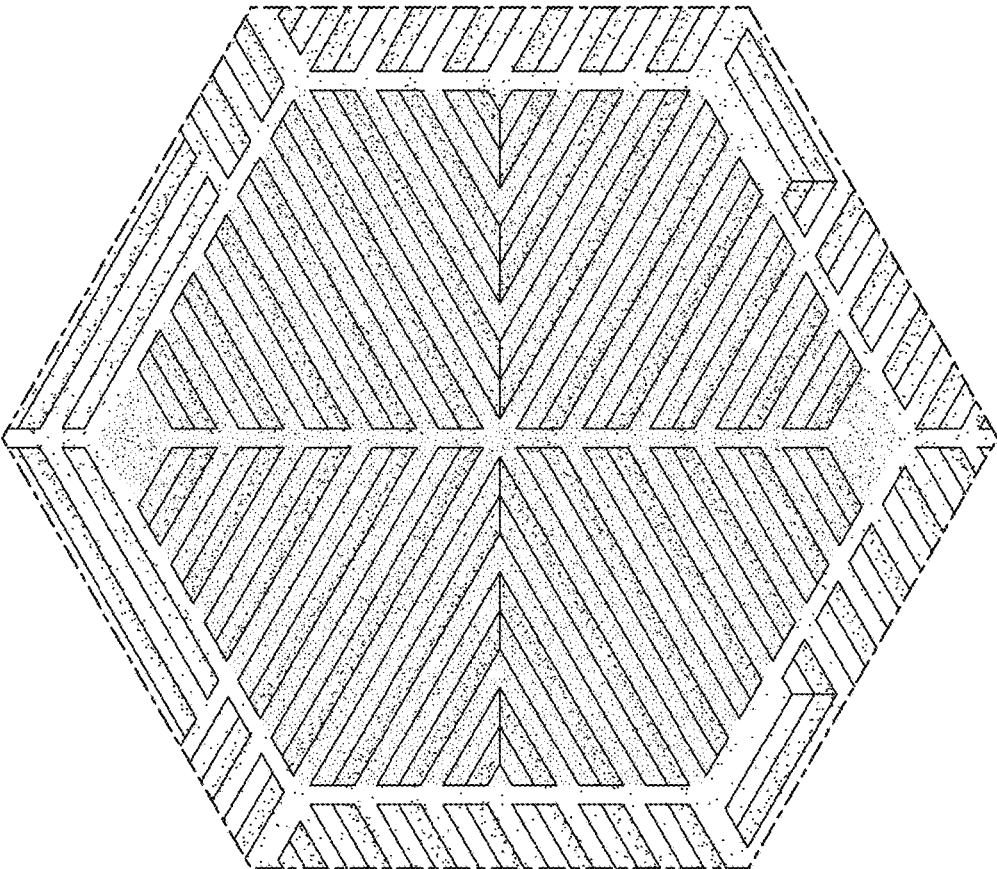


FIG. 5

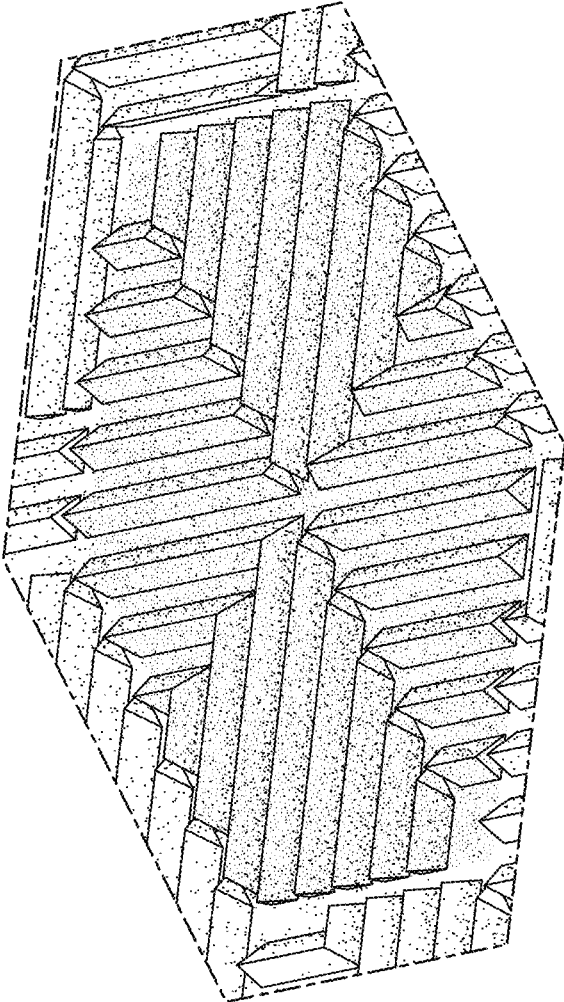


FIG. 6