



(12) **United States Design Patent**  
**Sherman**

(10) **Patent No.:** **US D1,003,680 S**  
(45) **Date of Patent:** **\*\* Nov. 7, 2023**

(54) **MOVEMENT STOP FOR USE WITH A MITER GAUGE**

4,598,480 A 7/1986 Cukelj  
4,693,158 A 9/1987 Price  
4,962,918 A 10/1990 Yang  
4,986,323 A 1/1991 Lemaire, Jr.  
5,038,486 A 8/1991 Ducate, Sr.  
5,152,070 A 10/1992 Sorokes  
5,181,702 A 1/1993 Pettigrew

(Continued)

(71) Applicant: **Woodpeckers, LLC**, Strongsville, OH (US)

(72) Inventor: **Wayne Sherman**, Hinckley, OH (US)

(73) Assignee: **WOODPECKERS, LLC**, Strongsville, OH (US)

(\*\*) Term: **15 Years**

(21) Appl. No.: **29/824,137**

(22) Filed: **Jan. 21, 2022**

(51) **LOC (14) Cl.** ..... **08-05**

(52) **U.S. Cl.**  
USPC ..... **D8/71; D15/138**

(58) **Field of Classification Search**  
USPC ..... D8/70, 71, 72, 74, 106, 402, 499;  
D15/138, 140  
CPC ..... B27B 27/10; B27B 27/02; B27B 27/00;  
B23Q 16/001; B27C 5/06  
See application file for complete search history.

(56) **References Cited**

**U.S. PATENT DOCUMENTS**

1,026,475 A 5/1912 Tarbuck  
2,412,870 A 12/1946 Champlin  
2,879,059 A 3/1959 Sandefur  
2,913,019 A \* 11/1959 Sprague ..... B27C 7/06  
82/158  
D231,663 S \* 5/1974 Pingel ..... D8/71  
3,810,311 A 5/1974 Pingel  
3,827,686 A 8/1974 Storkh  
3,961,557 A \* 6/1976 Jezowski ..... B23Q 16/001  
409/218  
4,030,718 A 6/1977 Philipoff  
4,275,872 A 6/1981 Mullis  
4,343,092 A 8/1982 Wahl et al.

**OTHER PUBLICATIONS**

“75 Type Miter Track Stop”, Aug. 10, 2020, Amazon.com, site visited Aug. 12, 2023: <https://www.amazon.com/T-Track-Woodworking-Limiter-Aluminum-T-Slot-Stop/dp/B08FHZWGGS> (Year: 2020).\*

(Continued)

*Primary Examiner* — Jack Reickel

*Assistant Examiner* — Michael A Kervin

(74) *Attorney, Agent, or Firm* — Sand, Sebolt & Wernow Co., LPA

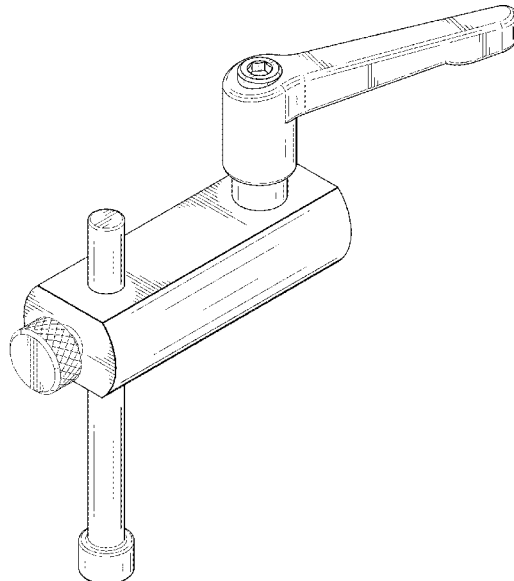
(57) **CLAIM**

The ornamental design for a movement stop for use with a miter gauge, as shown and described.

**DESCRIPTION**

FIG. 1 is a top front perspective view of the movement stop for use with a miter gauge in accordance with my design; FIG. 2 is a right side view thereof; FIG. 3 is a left side view thereof; FIG. 4 is a rear elevation view thereof; FIG. 5 is a front elevation view thereof; FIG. 6 is a top plan view thereof; FIG. 7 is a bottom plan view thereof; and, FIG. 8 is a bottom rear perspective view thereof. The broken lines illustrate portions of the movement stop for use with a miter gauge which form no part of the claimed design.

**1 Claim, 6 Drawing Sheets**



(56)

References Cited

U.S. PATENT DOCUMENTS

5,197,721 A 3/1993 Ruberg  
 5,337,641 A 8/1994 Duginske  
 5,579,672 A 12/1996 Findlay  
 5,617,909 A 4/1997 Duginske  
 5,768,966 A 6/1998 Duginske  
 5,845,555 A 12/1998 Dawley  
 5,895,184 A 4/1999 Walters et al.  
 5,996,986 A 12/1999 Ewing  
 6,557,601 B1 5/2003 Taylor  
 6,860,475 B2 3/2005 Wong  
 6,880,442 B2\* 4/2005 Duginske ..... B27F 5/02  
 144/253.1  
 6,889,968 B1 5/2005 Wong  
 7,000,519 B1 2/2006 Weinstein et al.  
 7,107,699 B2\* 9/2006 Chang ..... B23Q 16/001  
 33/760  
 7,114,714 B2 10/2006 Wong  
 7,127,976 B1 10/2006 Fitzsimmons  
 D535,671 S 1/2007 Bernhardt  
 7,360,567 B2\* 4/2008 Gregoire ..... B27B 25/10  
 144/253.1  
 D578,145 S 10/2008 Bernhardt  
 7,798,187 B1 9/2010 Duginske  
 7,938,379 B2\* 5/2011 Baten ..... F16M 5/00  
 248/680  
 8,220,374 B2 7/2012 Wang  
 D677,141 S \* 3/2013 Gordon ..... D8/74  
 8,480,067 B2 7/2013 Furlow  
 8,523,160 B2\* 9/2013 Wiltner ..... B25B 5/003  
 269/71

D718,355 S \* 11/2014 Muramatsu ..... D15/138  
 9,682,454 B2\* 6/2017 Suhling ..... B23Q 16/028  
 9,901,999 B2 2/2018 Lin et al.  
 10,442,058 B2 10/2019 Wang  
 10,843,368 B2\* 11/2020 Friedebach ..... B27B 9/04  
 11,345,057 B1\* 5/2022 Duxbury ..... B27B 27/02  
 11,383,336 B2\* 7/2022 Suhling ..... B27B 27/10  
 11,602,873 B2 3/2023 Merrill  
 2003/0056631 A1 3/2003 Duginske  
 2007/0022856 A1 2/2007 Paine  
 2007/0095184 A1 5/2007 Chuang  
 2011/0214541 A1 9/2011 Rybka  
 2015/0298273 A1 10/2015 Suhling  
 2018/0036867 A1 2/2018 Wang  
 2019/0381614 A1 12/2019 Suhling  
 2020/0215623 A1\* 7/2020 Duginske ..... B27B 27/00  
 2021/0394319 A1 12/2021 Suhling  
 2022/0241913 A1\* 8/2022 Skillicorn ..... B23Q 11/0046  
 2023/0073793 A1\* 3/2023 Duxbury ..... B27B 27/02  
 2023/0234257 A1\* 7/2023 Sherman ..... B27B 27/10  
 83/451

OTHER PUBLICATIONS

“Woodworking Guide Positioner”, Aug. 15, 2020, Amazon.com, site visited Aug. 12, 2023: <https://www.amazon.com/dp/B08FYJGMF1> (Year: 2020).\*

“A Miter Gauge that Does One Angle—Woodpeckers Exact-90 Review”, Feb. 25, 2022, YouTube.com, site visited Aug. 12, 2023: <https://www.youtube.com/watch?v=JGFfAe9qk7A> (Year: 2022).\*

\* cited by examiner

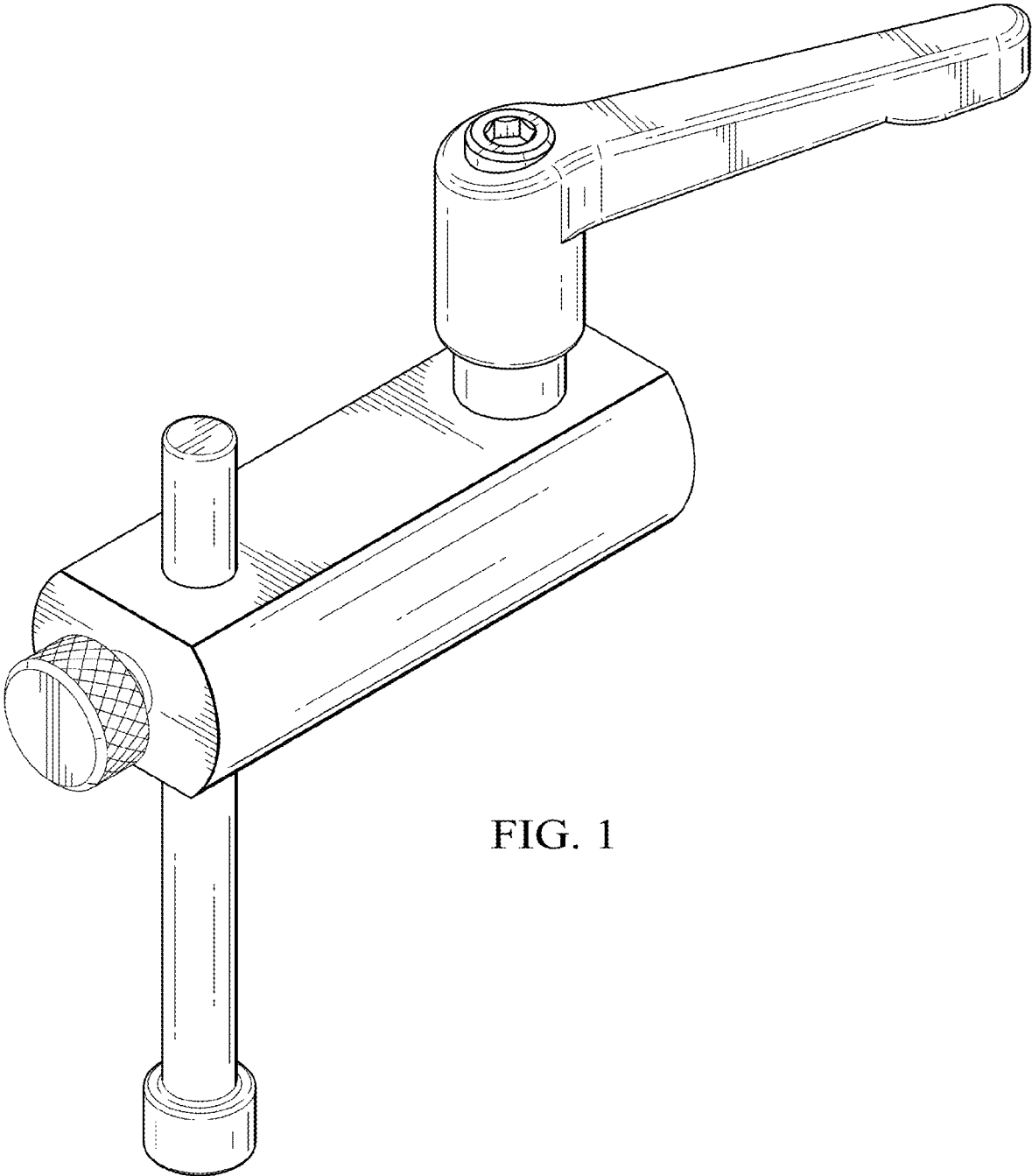


FIG. 1

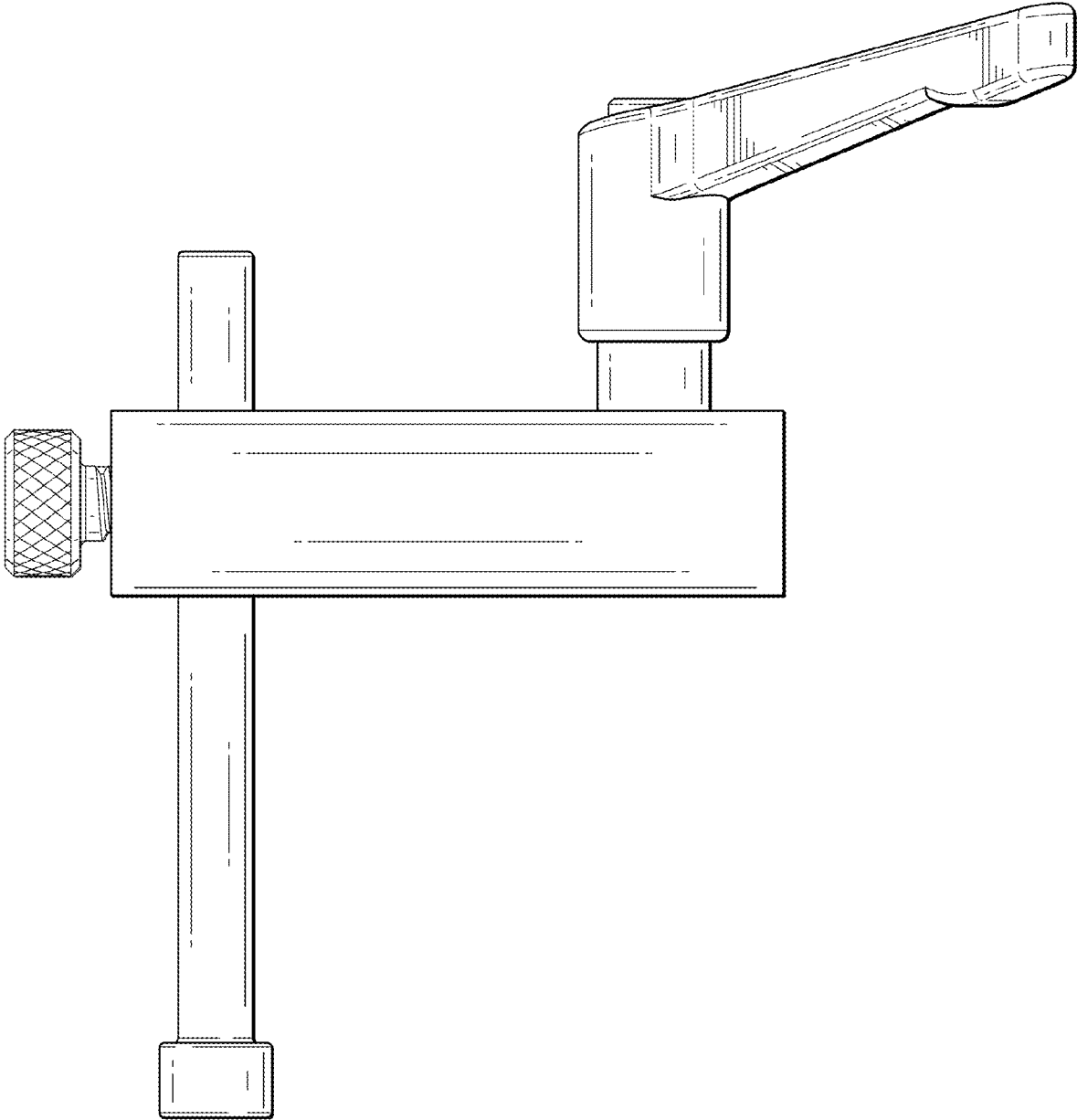


FIG. 2

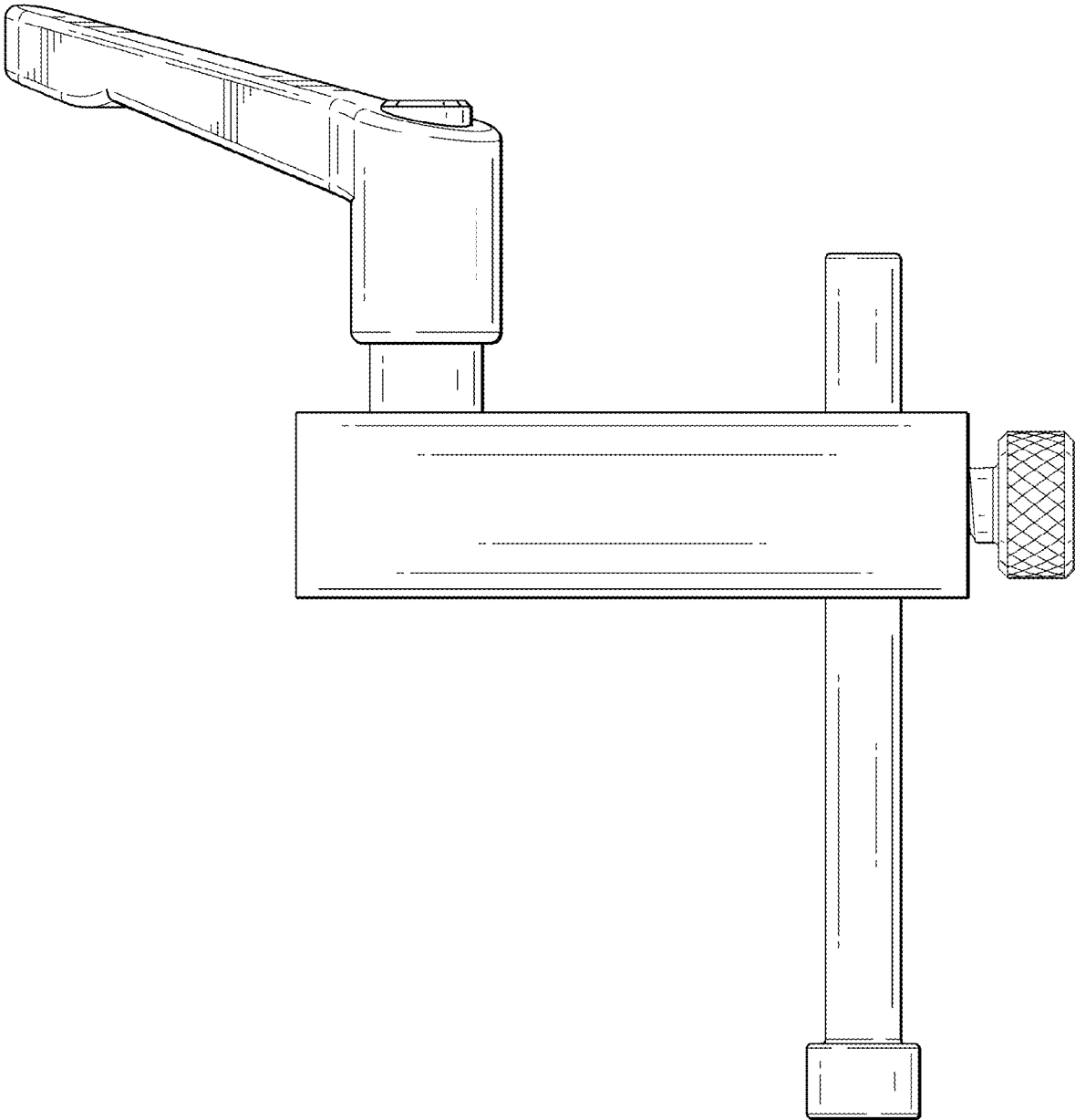


FIG. 3

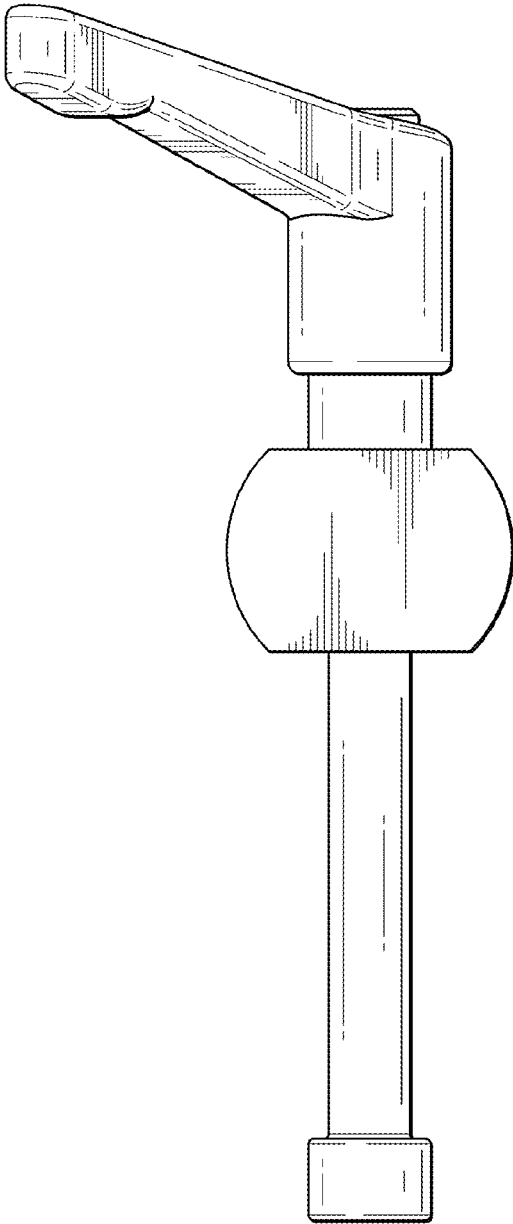


FIG. 4

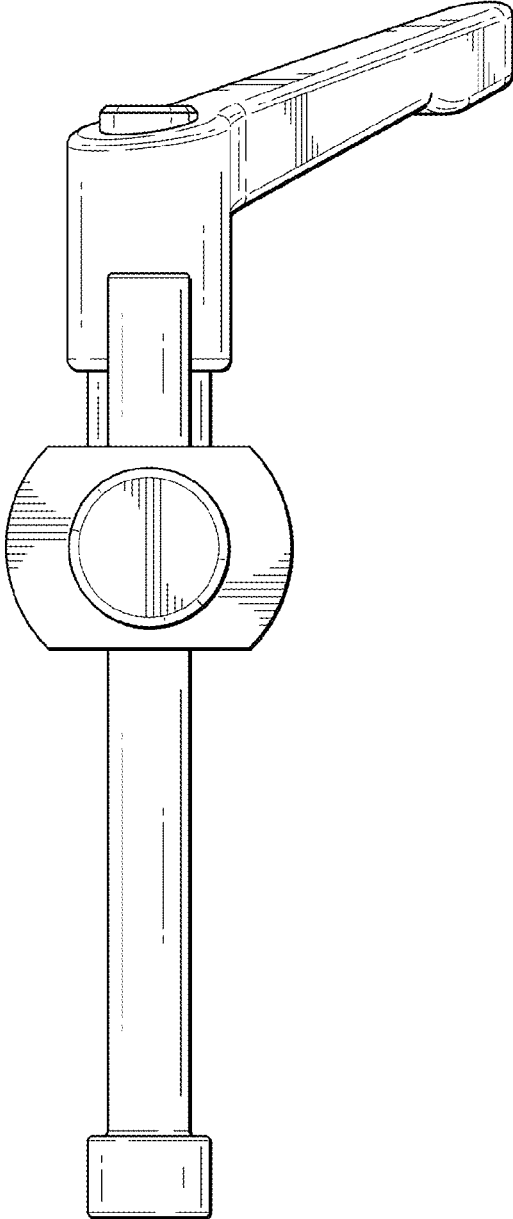


FIG. 5

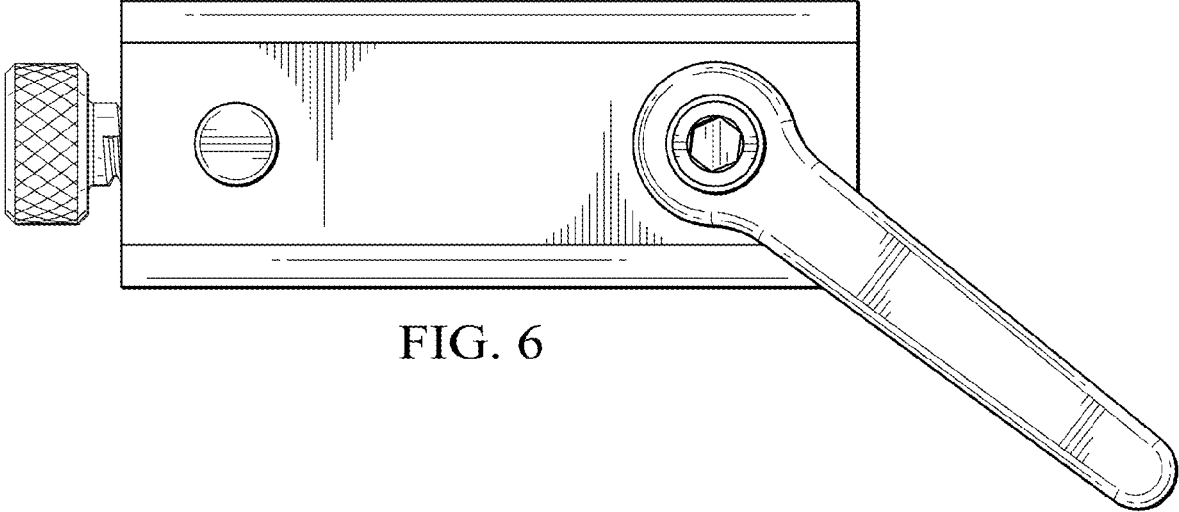


FIG. 6

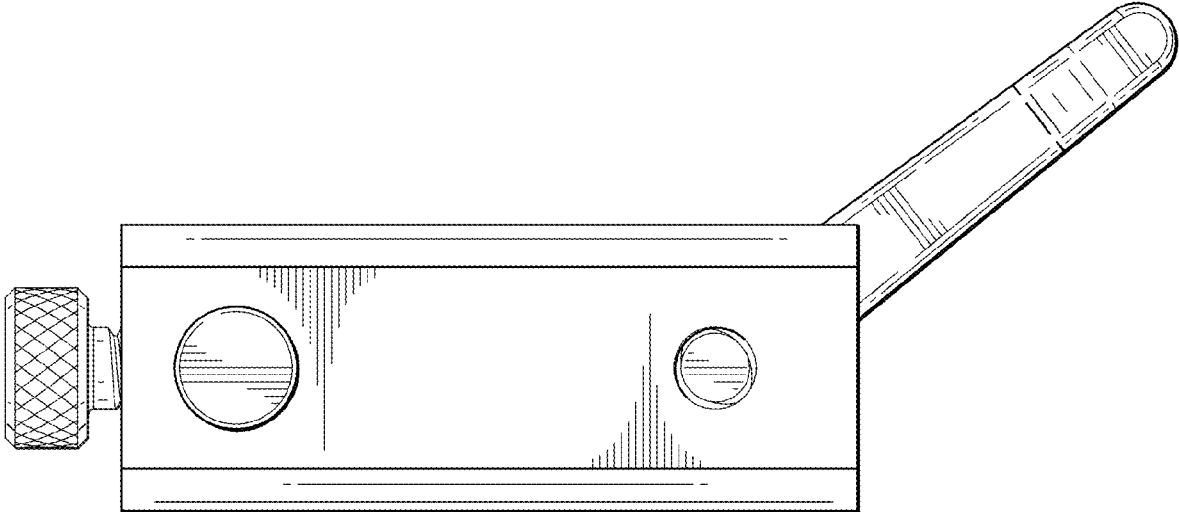


FIG. 7

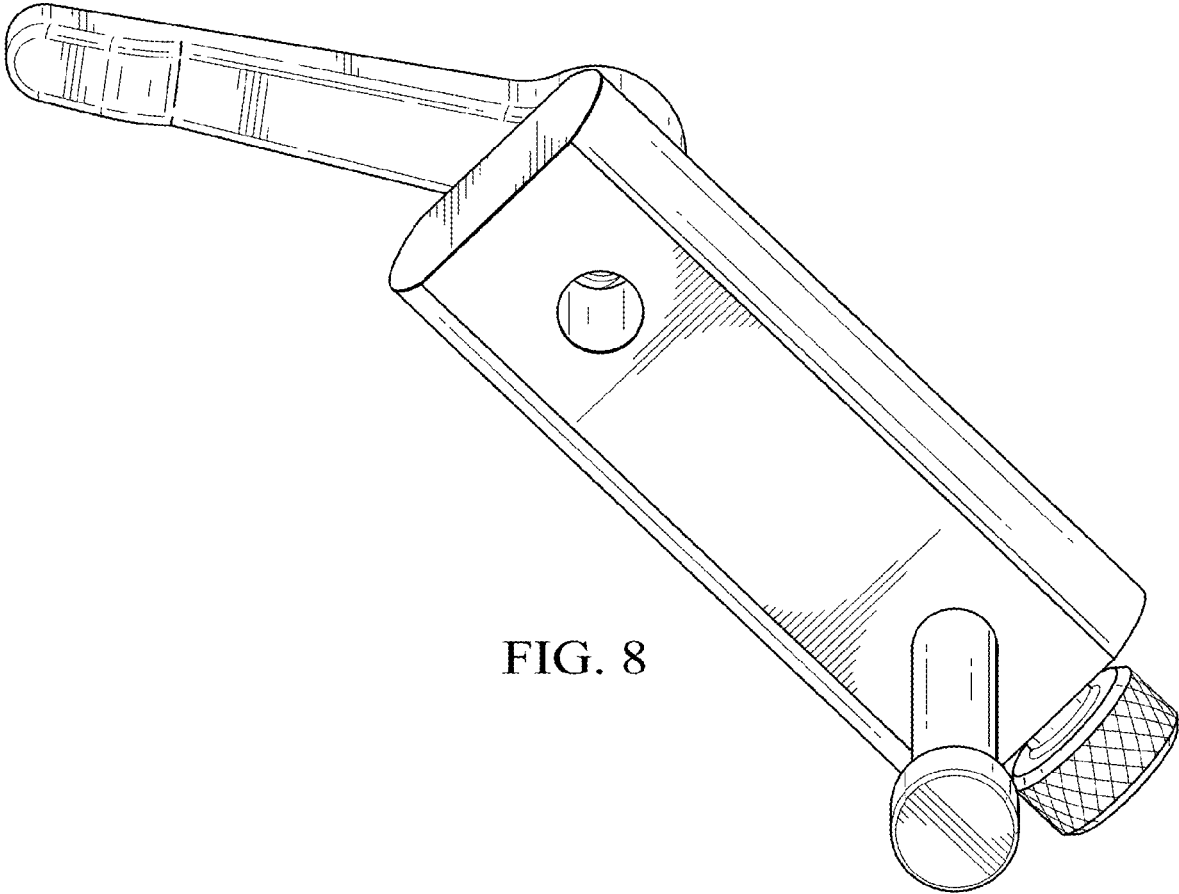


FIG. 8