



US00D744472S

(12) **United States Design Patent**
Lerenthal

(10) **Patent No.:** **US D744,472 S**

(45) **Date of Patent:** **** Dec. 1, 2015**

(54) **CASE**

(71) Applicant: **Uniluv Marketing, Inc.**, San Diego, CA (US)

(72) Inventor: **Moran Lerenthal**, Tel Aviv (IL)

(73) Assignee: **Uniluv Marketing, Inc.**, San Diego, CA (US)

(**) Term: **14 Years**

(21) Appl. No.: **29/509,520**

(22) Filed: **Nov. 18, 2014**

(51) **LOC (10) Cl.** **14-08**

(52) **U.S. Cl.**

USPC **D14/250**

(58) **Field of Classification Search**

USPC D14/250, 251, 253, 240, 217, 496, 440,
D14/203.3, 203.4, 203.5, 203.8, 341, 318;
D3/218, 215, 201, 294, 289, 900;
220/4.02; 248/309.1; 361/679.56;
379/426, 433.11, 455; 455/575.1,
455/575.8; 190/100; 206/305, 320
CPC .. H04M 1/185; H04M 1/0252; H04B 1/3888;
G06F 1/1601; G06F 1/1626; G06F 1/1633;
G06F 1/1675; G06F 1/1679; G02F 1/1306;
G02F 1/133; G02F 1/133308; G02F 1/153;
G02F 1/1533; G02F 2001/133317

See application file for complete search history.

(56) **References Cited**

U.S. PATENT DOCUMENTS

D107,221 S	11/1937	Dewsbury
D287,905 S	1/1987	Oyamada
D317,255 S	6/1991	Turk
D320,992 S	10/1991	Jondelius
D339,690 S	9/1993	Takahashi et al.
D346,275 S	4/1994	Hayasaka et al.
D371,137 S	6/1996	Kriegh
D387,199 S	12/1997	Nagele et al.

D389,641 S	1/1998	McCutcheon et al.
D392,097 S	3/1998	Pottala et al.
5,755,367 A	5/1998	Yamada
D400,209 S	10/1998	Williams et al.
D400,497 S	11/1998	Sabag et al.
5,833,053 A	11/1998	Wood et al.
D406,191 S	3/1999	Phillips et al.
5,992,343 A	11/1999	Drover
D419,290 S	1/2000	Treyer et al.
6,124,783 A	9/2000	Alexander
D434,898 S	12/2000	Jokinen et al.

(Continued)

Primary Examiner — Cynthia M Chin

(74) *Attorney, Agent, or Firm* — Knobbe Martens Olson & Bear LLP

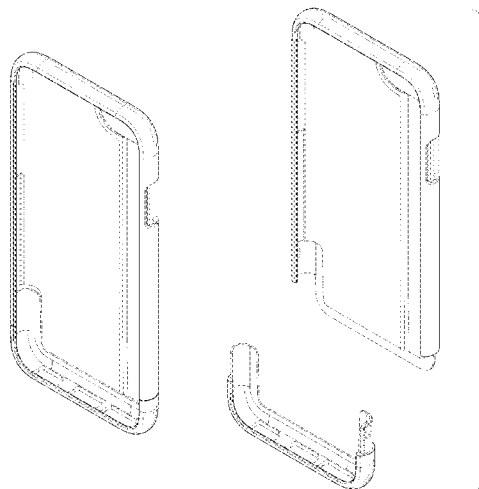
(57) **CLAIM**

The ornamental design for a case, as shown and described.

DESCRIPTION

FIG. 1 is a top, front and side perspective view of a case in a first position embodying my new design.
FIG. 2 is a bottom, back and side perspective view thereof.
FIG. 3 is a front view thereof.
FIG. 4 is a back view thereof.
FIG. 5 is a first side view thereof.
FIG. 6 is a second side view thereof.
FIG. 7 is a top view thereof.
FIG. 8 is a bottom view thereof.
FIG. 9 is a top, front and side perspective view of the case in a second position.
FIG. 10 is a bottom, back and side perspective view thereof.
FIG. 11 is a front view thereof.
FIG. 12 is a back view thereof.
FIG. 13 is a first side view thereof.
FIG. 14 is a second side view thereof.
FIG. 15 is a top view thereof; and,
FIG. 16 is a bottom view thereof.
Broken lines are used to illustrate features of the case which form no part of the claimed design.

1 Claim, 12 Drawing Sheets



(56)

References Cited

U.S. PATENT DOCUMENTS

D438,417 S	3/2001	Liu et al.	D623,180 S *	9/2010	Diebel	D14/250
6,239,968 B1	5/2001	Kim et al.	D624,908 S	10/2010	Huskinson	
6,273,252 B1	8/2001	Mitchell	D625,283 S	10/2010	Okada et al.	
D455,746 S	4/2002	Ronzani et al.	D625,698 S	10/2010	Miyazaki et al.	
D462,514 S	9/2002	Rivera et al.	D626,539 S *	11/2010	Brown	D14/250
6,445,577 B1	9/2002	Madsen et al.	D628,994 S	12/2010	Griffin et al.	
6,456,487 B1	9/2002	Hetterick	D634,313 S	3/2011	Fitzpatrick et al.	
6,471,056 B1	10/2002	Tzeng	D635,555 S	4/2011	Giles	
D466,287 S	12/2002	Tanaka	D641,756 S	7/2011	Hsieh et al.	
6,519,141 B2	2/2003	Tseng et al.	D641,974 S	7/2011	Stampfli	
6,536,589 B2	3/2003	Chang	D643,836 S	8/2011	Smith et al.	
6,646,864 B2	11/2003	Richardson	D644,635 S	9/2011	Richardson et al.	
D489,162 S	5/2004	Dings-Plooij	D646,264 S *	10/2011	Dong	D14/250
D495,871 S	9/2004	Moffitt et al.	D646,265 S	10/2011	Fathollahi	
D499,546 S	12/2004	Smithers	D647,084 S	10/2011	Fathollahi	
6,854,412 B1	2/2005	Courson et al.	D648,301 S	11/2011	Zuffo et al.	
6,866,266 B1	3/2005	Thorne	D649,144 S	11/2011	Fathollahi	
6,938,899 B2	9/2005	Kenney et al.	8,056,167 B2	11/2011	Cheung et al.	
6,954,047 B2	10/2005	Neubauer	D652,031 S	1/2012	Fahrendorff et al.	
6,995,976 B2	2/2006	Richardson	D653,202 S	1/2012	Hasbrook et al.	
D516,554 S	3/2006	Richardson et al.	D654,068 S	2/2012	Monaco et al.	
D521,232 S	5/2006	Andre et al.	8,132,670 B1	3/2012	Chen	
D526,780 S	8/2006	Richardson et al.	D658,165 S	4/2012	Freeman	
7,097,233 B2	8/2006	Sogame et al.	D663,263 S	7/2012	Gupta et al.	
D529,713 S	10/2006	Guyot et al.	D666,571 S	9/2012	Kim et al.	
D530,079 S	10/2006	Thomas et al.	D669,458 S *	10/2012	Wilson	D14/250
7,158,376 B2	1/2007	Richardson et al.	D673,554 S	1/2013	Simmer	
7,180,735 B2	2/2007	Thomas et al.	D676,434 S	2/2013	Chang et al.	
D541,296 S	4/2007	Kim	D678,869 S	3/2013	Diebel	
D542,524 S	5/2007	Richardson et al.	D679,699 S *	4/2013	Piedra	D14/250
D543,541 S	5/2007	Chung et al.	8,442,604 B1 *	5/2013	Diebel	G03B 17/02 361/679.32
7,230,823 B2	6/2007	Richardson et al.	D684,150 S	6/2013	Goradesky et al.	
7,261,204 B2	8/2007	Zaidi et al.	8,457,701 B2 *	6/2013	Diebel	H04B 1/3888 206/701
D553,352 S	10/2007	Allen	D685,356 S *	7/2013	Diebel	D14/250
D553,357 S	10/2007	Zimmerman	D700,598 S	3/2014	Kim	
7,312,984 B2	12/2007	Richardson et al.	D706,255 S *	6/2014	Akana	D14/250
D559,826 S	1/2008	Lee	D712,892 S *	9/2014	Hong	D14/250
D561,724 S	2/2008	Kim et al.	D714,276 S	9/2014	Hu et al.	
D561,986 S	2/2008	Horne et al.	D718,291 S *	11/2014	Hong	D14/250
D565,290 S	4/2008	Brandenburg et al.	D718,293 S *	11/2014	Namminga	D14/250
D570,593 S	6/2008	Justiss	D719,559 S	12/2014	Dukerschein et al.	
D575,056 S	8/2008	Tan	D720,733 S *	1/2015	Fathollahi	D14/250
D581,151 S	11/2008	Aipa	D721,360 S *	1/2015	Laffon de Mazieres	D14/250
D581,155 S	11/2008	Richardson et al.	D723,535 S	3/2015	Minn et al.	
D581,421 S	11/2008	Richardson et al.	D724,065 S	3/2015	Fathollahi	
D586,851 S	2/2009	Lapsker	D725,091 S	3/2015	Wen	
D587,008 S	2/2009	Richardson et al.	D725,642 S	3/2015	Robertson	
D589,016 S	3/2009	Richardson et al.	D726,172 S	4/2015	Watkins et al.	
D589,482 S	3/2009	Lee et al.	D726,702 S	4/2015	Umlauf	
D589,486 S	3/2009	He	D727,883 S *	4/2015	Brand	D14/250
D593,319 S	6/2009	Richardson et al.	D727,884 S	4/2015	Fathollahi	
D593,746 S	6/2009	Richardson et al.	D728,468 S	5/2015	Ferber et al.	
D597,089 S	7/2009	Khan et al.	D728,547 S	5/2015	Simmer	
D597,301 S	8/2009	Richardson et al.	D728,550 S	5/2015	Simmer	
D598,407 S	8/2009	Richardson et al.	2003/0052786 A1	3/2003	Dickinson	
D600,908 S	9/2009	Richardson et al.	2003/0151890 A1	8/2003	Huang et al.	
7,594,576 B2	9/2009	Chen et al.	2004/0057199 A1	3/2004	Azuchi	
7,609,512 B2	10/2009	Richardson et al.	2004/0236258 A1	11/2004	Burns et al.	
D603,602 S	11/2009	Richardson et al.	2005/0242941 A1	11/2005	Chao	
D603,603 S	11/2009	Laine et al.	2005/0247584 A1	11/2005	Lu	
D605,850 S	12/2009	Richardson et al.	2006/0052064 A1	3/2006	Goradesky	
D606,529 S	12/2009	Ferrari et al.	2006/0098966 A1	5/2006	Takahashi et al.	
D607,446 S	1/2010	Ferrari et al.	2006/0231713 A1	10/2006	Crain et al.	
D609,463 S	2/2010	Bullen	2007/0165367 A1	7/2007	Chung	
D609,464 S	2/2010	Bullen	2008/0012383 A1	1/2008	Larson	
D609,900 S	2/2010	Behar et al.	2008/0316687 A1	12/2008	Richardson et al.	
7,663,879 B2	2/2010	Richardson et al.	2009/0009945 A1	1/2009	Johnson et al.	
D610,807 S	3/2010	Bau	2009/0034169 A1	2/2009	Richardson et al.	
D611,042 S	3/2010	Ferrari et al.	2009/0050499 A1	2/2009	Calco et al.	
D611,478 S	3/2010	Richardson et al.	2009/0080153 A1	3/2009	Richardson et al.	
7,688,580 B2	3/2010	Richardson et al.	2009/0111543 A1	4/2009	Tai et al.	
D615,536 S	5/2010	Richardson et al.	2009/0139010 A1	6/2009	Bevier	
D616,361 S	5/2010	Huang	2009/0154095 A1	6/2009	Would	
7,782,610 B2 *	8/2010	Diebel	2009/0186264 A1 *	7/2009	Huang	H01M 2/1022 429/96
		G06F 1/1628	2010/0008028 A1	1/2010	Richardson et al.	
		361/679.41	2010/0051712 A1	3/2010	Lebeck	

(56)

References Cited

U.S. PATENT DOCUMENTS

2010/0096284 A1 4/2010 Bau

2010/0203931 A1 8/2010 Hyneczek et al.
2011/0036876 A1 2/2011 Fathollahi
2012/0103844 A1* 5/2012 Piedra 206/320

* cited by examiner

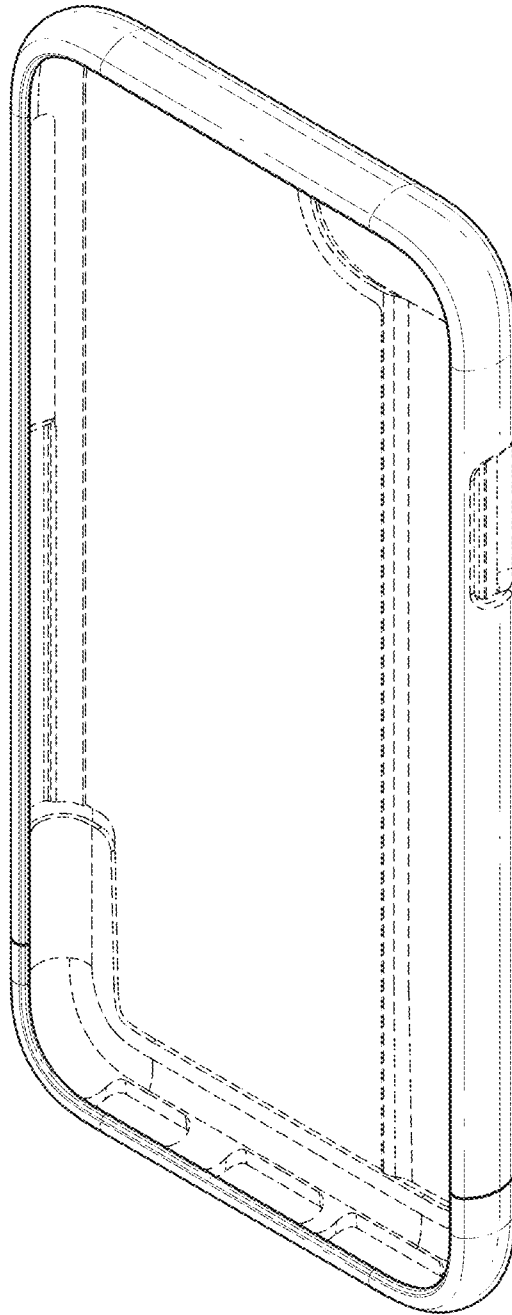


FIG. 1

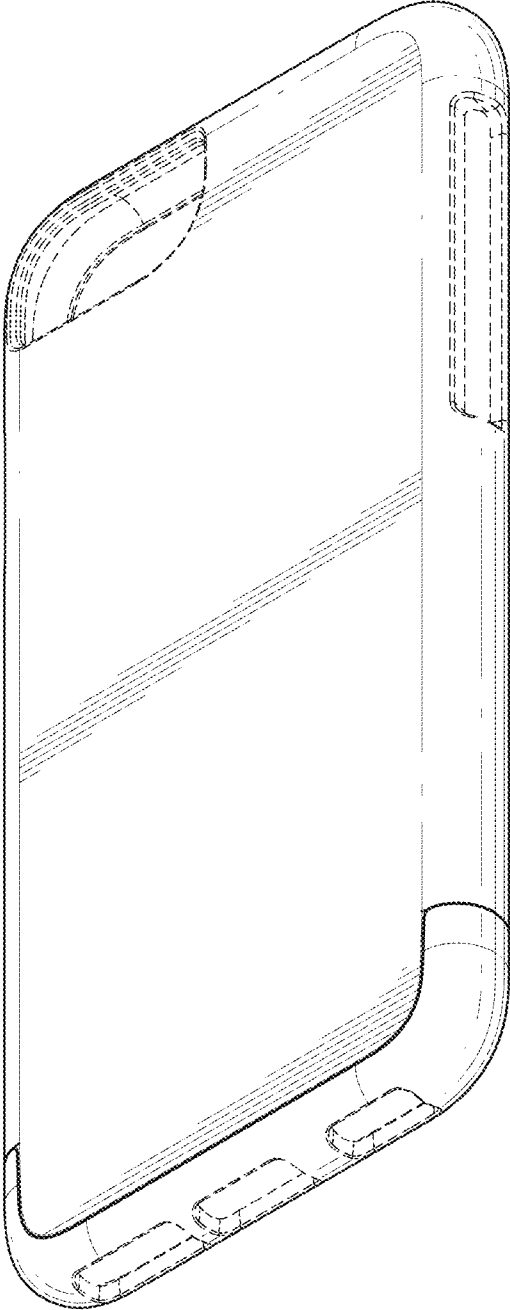


FIG. 2

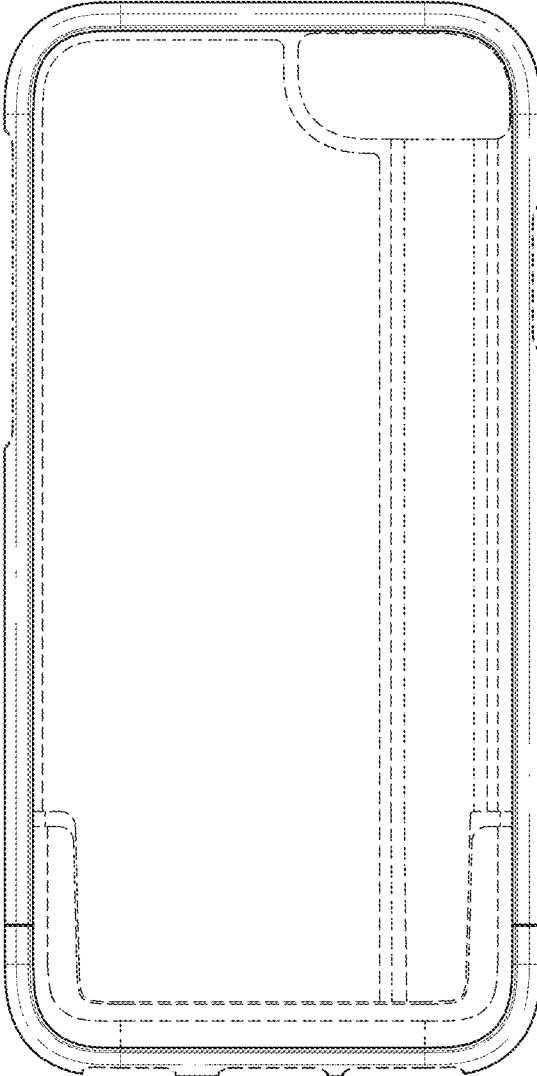


FIG. 3

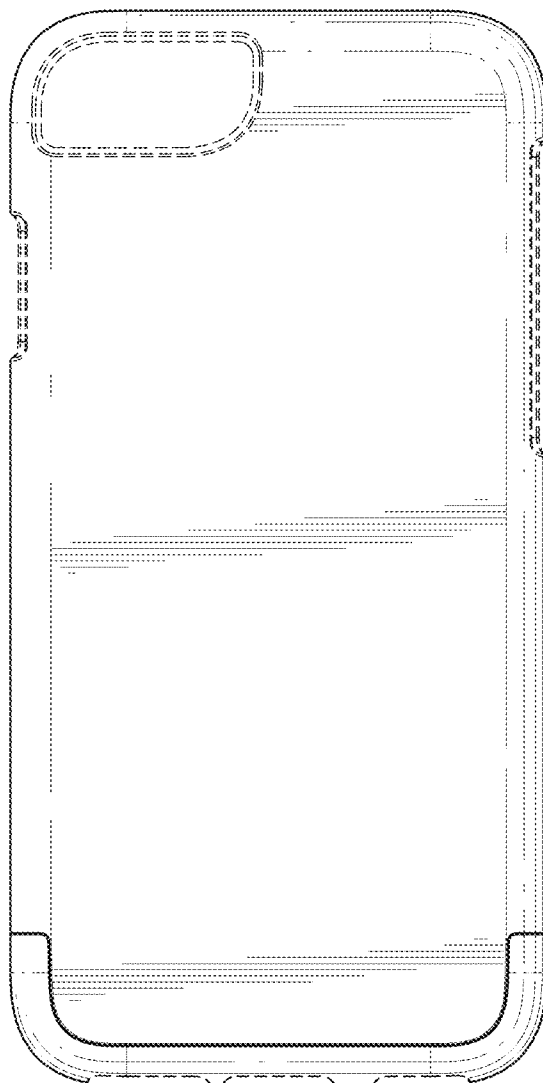


FIG. 4



FIG. 5



FIG. 6



FIG. 7

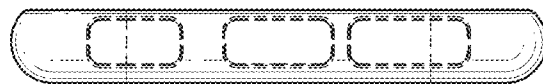


FIG. 8

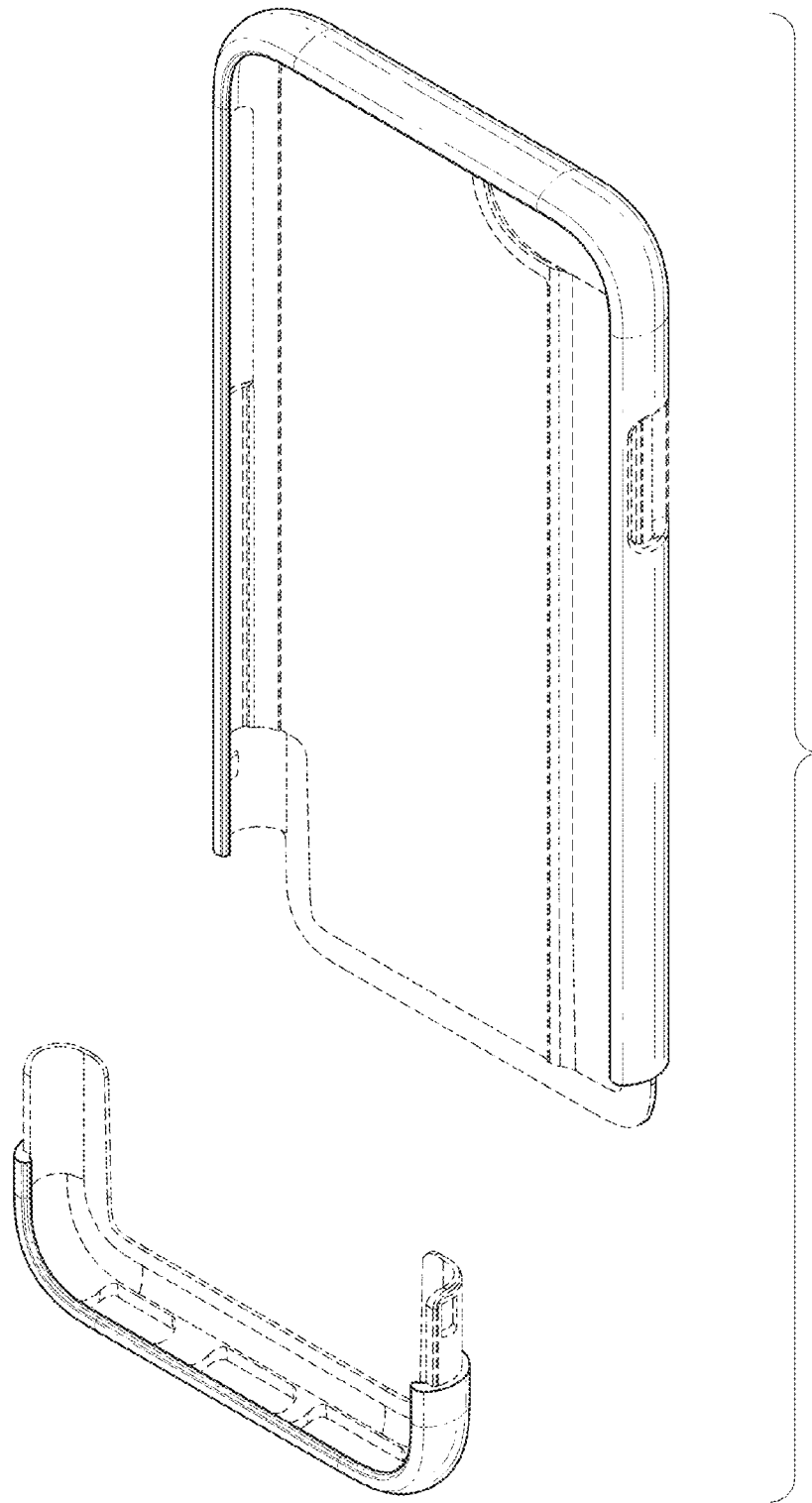


FIG. 9

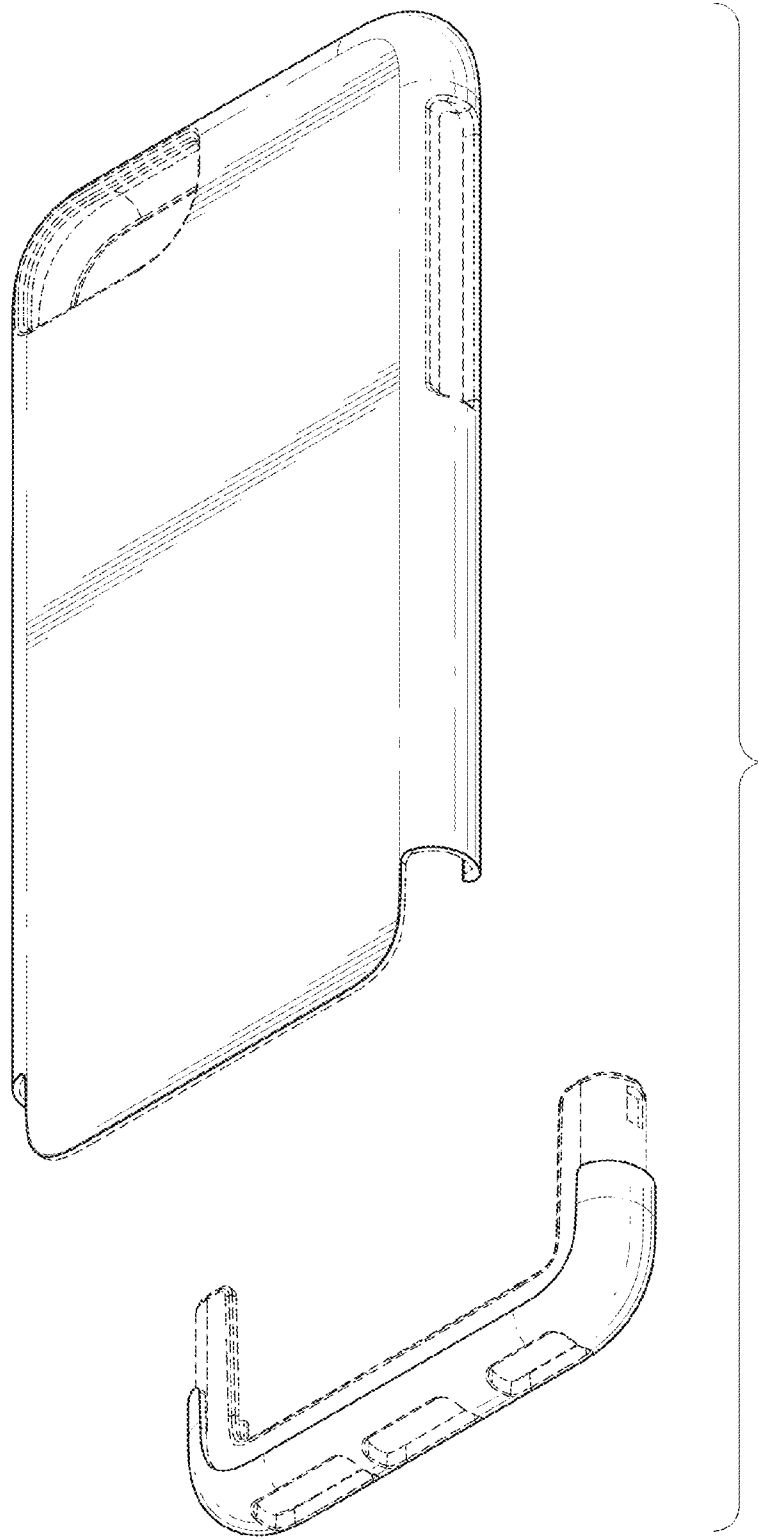


FIG. 10

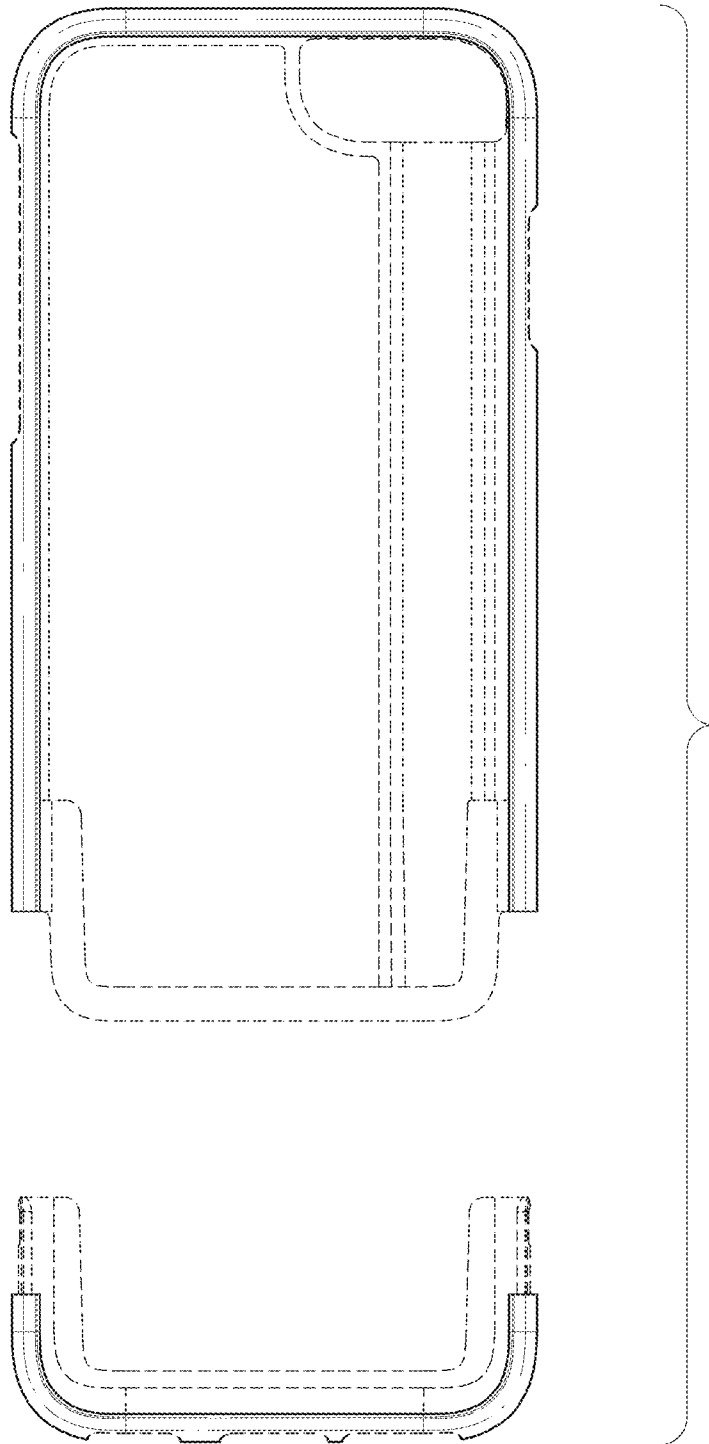


FIG. 11

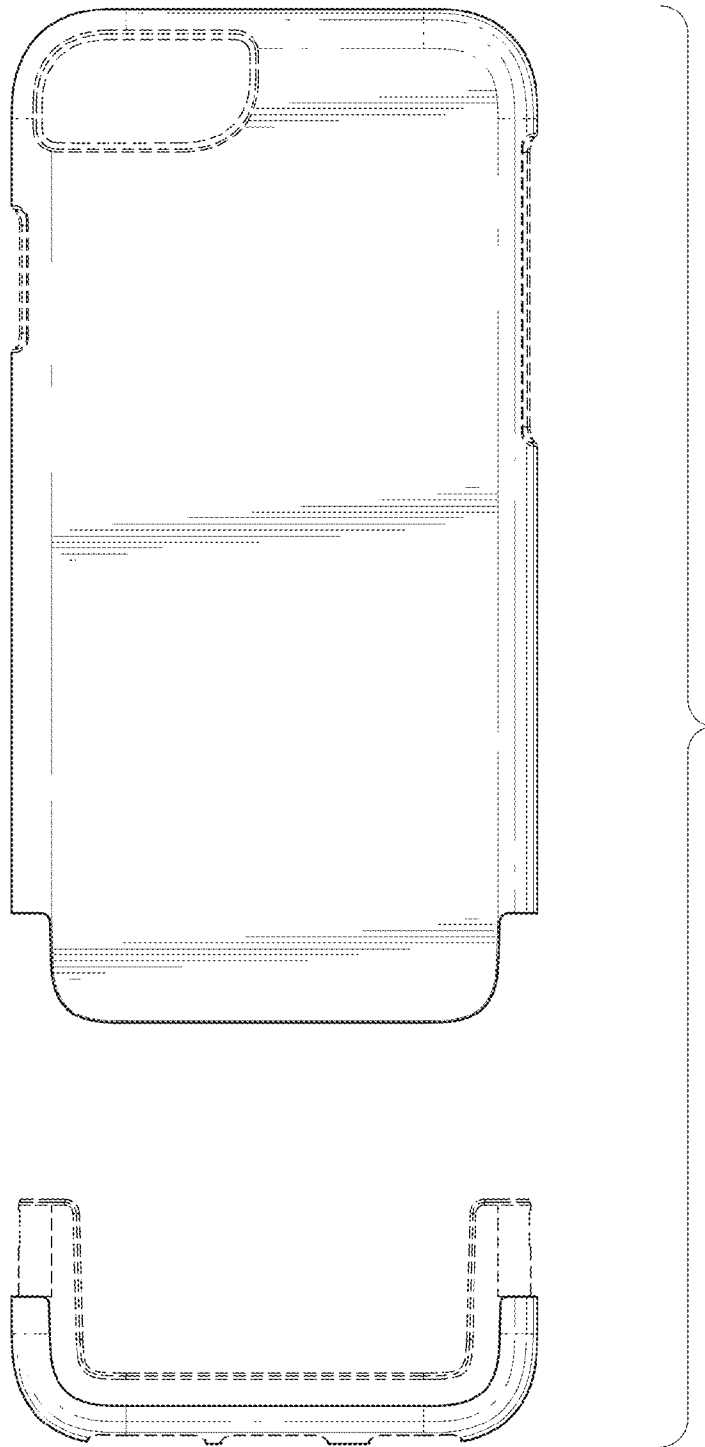


FIG. 12

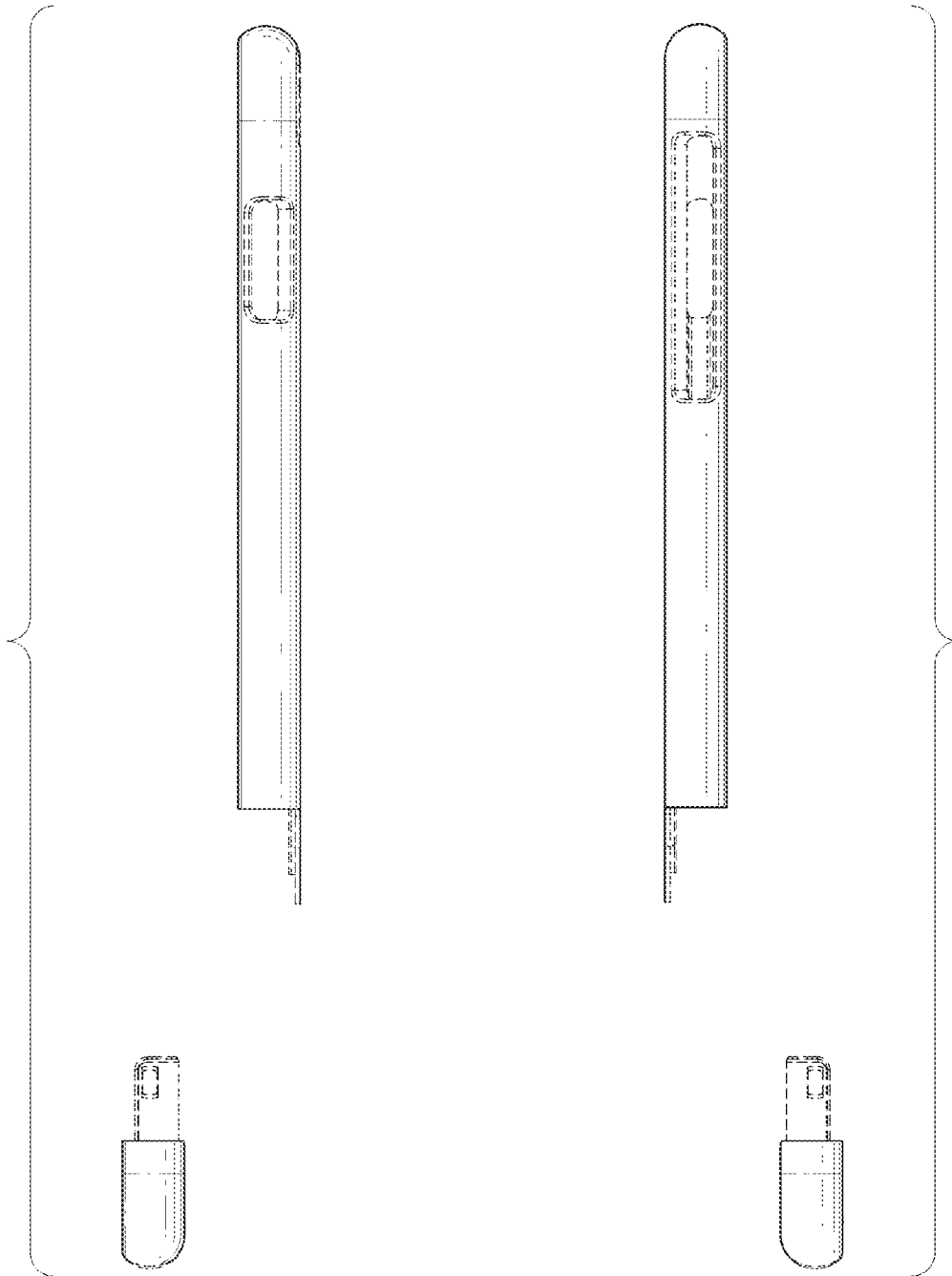


FIG. 13

FIG. 14

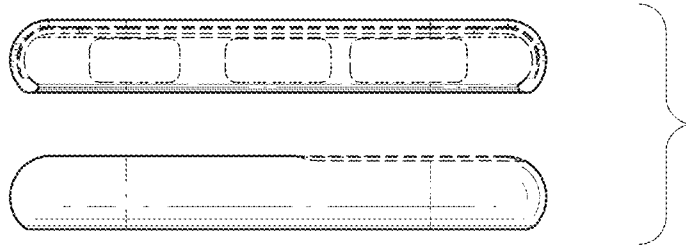


FIG. 15

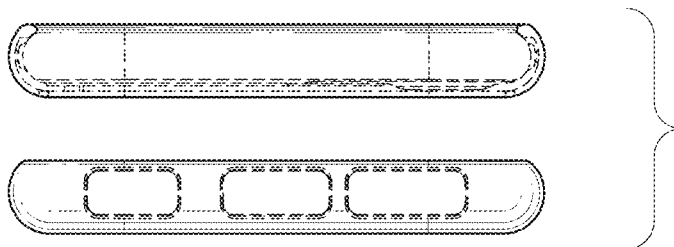


FIG. 16