



DEMANDE INTERNATIONALE PUBLIÉE EN VERTU DU TRAITE DE COOPERATION EN MATIÈRE DE BREVETS (PCT)

|  |    |  |
|--|----|--|
| (51) Classification internationale des brevets <sup>6</sup> :<br>C01F 7/02, 7/34, C08K 3/22, C08L 21/00,<br>B60C 1/00, G01N 29/00, 15/02 | A3 | (11) Numéro de publication internationale: <b>WO 99/28376</b>    |
|  |    | (43) Date de publication internationale: 10 juin 1999 (10.06.99) |

(21) Numéro de la demande internationale: PCT/EP98/07680

(22) Date de dépôt international: 27 novembre 1998 (27.11.98)

(30) Données relatives à la priorité:  
97/15128 28 novembre 1997 (28.11.97) FR

(71) Déposant (pour tous les Etats désignés sauf US): COMPAGNIE GENERALE DES ETABLISSEMENTS MICHELIN – MICHELIN &amp; CIE [FR/FR]; 12, Cours Sablon, F-63040 Clermont-Ferrand Cedex 09 (FR).

(72) Inventeurs; et

(75) Inventeurs/Déposants (US seulement): CUSTODERO, Emmanuel [FR/FR]; 5, rue Diderot, F-63400 Chamalieres (FR). SIMONOT, Laure [FR/FR]; 68, rue de Wailly, F-63000 Clermont-Ferrand (FR). TARDIVAT, Jean-Claude [FR/FR]; 7, rue du Dr. Chibret, F-63000 Clermont-Ferrand (FR).

(74) Mandataire: RIBIERE, Joël; Michelin &amp; Cie, Service SGD/LG/PI-LAD, F-63040 Clermont-Ferrand Cedex 09 (FR).

(81) Etats désignés: AL, AM, AT, AU, AZ, BA, BB, BG, BR, BY, CA, CH, CN, CU, CZ, DE, DK, EE, ES, FI, GB, GE, GH, GM, HU, ID, IL, IS, JP, KE, KG, KP, KR, KZ, LC, LK, LR, LS, LT, LU, LV, MD, MG, MK, MN, MW, MX, NO, NZ, PL, PT, RO, RU, SD, SE, SG, SI, SK, SL, TJ, TM, TR, TT, UA, UG, US, UZ, VN, YU, ZW, brevet ARIPO (GH, GM, KE, LS, MW, SD, SZ, UG, ZW), brevet eurasiatique (AM, AZ, BY, KG, KZ, MD, RU, TJ, TM), brevet européen (AT, BE, CH, CY, DE, DK, ES, FI, FR, GB, GR, IE, IT, LU, MC, NL, PT, SE), brevet OAPI (BF, BJ, CF, CG, CI, CM, GA, GN, GW, ML, MR, NE, SN, TD, TG).

Publiée

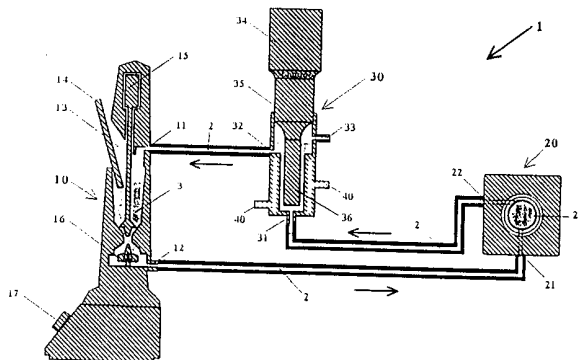
Avec rapport de recherche internationale.

Avant l'expiration du délai prévu pour la modification des revendications, sera republiée si de telles modifications sont reçues.

(88) Date de publication du rapport de recherche internationale:  
30 septembre 1999 (30.09.99)

(54) Title: REINFORCING ALUMINOUS FILLER AND RUBBER COMPOSITION COMPRISING SUCH A FILLER

(54) Titre: CHARGE ALUMINEUSE RENFORCANTE ET COMPOSITION DE CAOUTCHOUC COMPORTANT UNE TELLE CHARGE



## (57) Abstract

The invention concerns an aluminous reinforcing filler capable of being used for reinforcing diene rubber compositions, consisting in an aluminium (oxide-)hydroxide corresponding, including impurities and hydration water, to formula (I) (with a and b as real numbers):  $Al(OH)_aO_b$ ; with  $0 < a \leq 3$  and  $b = (3-a)/2$ , whereof the specific BET surface ranges between 30 and 400  $m^2/g$ , the average particle size (in volume)  $d_w$  ranges between 20 and 400 nm, and the deagglomeration rate  $\alpha$  measured by the so-called ultrasound-deagglomeration test, at 100 % of the power of an ultrasound probe of 600 watts, is greater than  $5.10^{-3} \mu m^{-1}/s$ . The invention also concerns a rubber composition capable of being used for making tyres comprising as reinforcing filler said aluminous filler.

## (57) Abrégé

Charge alumineuse renforcante, utilisable pour le renforcement de compositions de caoutchouc diénique, consistant en un (oxyde-)hydroxyde d'aluminium répondant, aux impuretés et à l'eau d'hydratation près, à la formule (I) (a et b nombres réels):  $Al(OH)_aO_b$ , avec:  $0 < a \leq 3$  et  $b = (3-a)/2$ , dont la surface spécifique BET est comprise entre 30 et 400  $m^2/g$ , la taille moyenne (en masse) de particules  $d_w$  est comprise entre 20 et 400 nm, et la vitesse de désagglomération notée  $\alpha$  mesurée au test dit de désagglomération aux ultrasons, à 100% de puissance d'une sonde ultrasons de 600 watts, est supérieure à  $5.10^{-3} \mu m^{-1}/s$ . Composition de caoutchouc utilisable pour la fabrication de pneumatiques comportant à titre de charge renforcante ladite charge alumineuse.

**UNIQUEMENT A TITRE D'INFORMATION**

Codes utilisés pour identifier les Etats parties au PCT, sur les pages de couverture des brochures publiant des demandes internationales en vertu du PCT.

|    |                           |    |   |    |  |    |                       |
|----|---------------------------|----|---|----|--|----|-----------------------|
| AL | Albanie                   | ES | Espagne                                       | LS | Lesotho                                  | SI | Slovénie              |
| AM | Arménie                   | FI | Finlande                                      | LT | Lituanie                                 | SK | Slovaquie             |
| AT | Autriche                  | FR | France  | LU | Luxembourg                               | SN | Sénégal               |
| AU | Australie                 | GA | Gabon   | LV | Lettonie                                 | SZ | Swaziland             |
| AZ | Azerbaïdjan               | GB | Royaume-Uni                                   | MC | Monaco                                   | TD | Tchad                 |
| BA | Bosnie-Herzégovine        | GE | Géorgie                                       | MD | République de Moldova                    | TG | Togo                  |
| BB | Barbade                   | GH | Ghana   | MG | Madagascar                               | TJ | Tadjikistan           |
| BE | Belgique                  | GN | Guinée  | MK | Ex-République yougoslave<br>de Macédoine | TM | Turkménistan          |
| BF | Burkina Faso              | GR | Grèce   | ML | Mali                                     | TR | Turquie               |
| BG | Bulgarie                  | HU | Hongrie                                       | MN | Mongolie                                 | TT | Trinité-et-Tobago     |
| BJ | Bénin                     | IE | Irlande                                       | MR | Mauritanie                               | UA | Ukraine               |
| BR | Brésil                    | IL | Israël  | MW | Malawi                                   | UG | Ouganda               |
| BY | Bélarus                   | IS | Islande                                       | MX | Mexique                                  | US | Etats-Unis d'Amérique |
| CA | Canada                    | IT | Italie  | NE | Niger                                    | UZ | Ouzbékistan           |
| CF | République centrafricaine | JP | Japon   | NL | Pays-Bas                                 | VN | Viet Nam              |
| CG | Congo                     | KE | Kenya   | NO | Norvège                                  | YU | Yougoslavie           |
| CH | Suisse                    | KG | Kirghizistan                                  | NZ | Nouvelle-Zélande                         | ZW | Zimbabwe              |
| CI | Côte d'Ivoire             | KP | République populaire<br>démocratique de Corée | PL | Pologne                                  |    |                       |
| CM | Cameroun                  | KR | République de Corée                           | PT | Portugal                                 |    |                       |
| CN | Chine                     | KZ | Kazakstan                                     | RO | Roumanie                                 |    |                       |
| CU | Cuba                      | LC | Sainte-Lucie                                  | RU | Fédération de Russie                     |    |                       |
| CZ | République tchèque        | LI | Liechtenstein                                 | SD | Soudan                                   |    |                       |
| DE | Allemagne                 | LK | Sri Lanka                                     | SE | Suède                                    |    |                       |
| DK | Danemark                  | LR | Libéria                                       | SG | Singapour                                |    |                       |
| EE | Estonie                   |    |   |    |  |    |                       |

# INTERNATIONAL SEARCH REPORT

national Application No  
PCT/EP 98/07680

|   |   |                       |
|---|---|-----------------------|
| <b>A. CLASSIFICATION OF SUBJECT MATTER</b>  |   |                       |
| IPC 6   | C01F7/02<br>G01N29/00   | C01F7/34<br>G01N15/02 |
|   | C08K3/22  | C08L21/00             |
|   |   | B60C1/00              |
| According to International Patent Classification (IPC) or to both national classification and IPC   |   |                       |
| <b>B. FIELDS SEARCHED</b>   |   |                       |
| Minimum documentation searched (classification system followed by classification symbols)<br>IPC 6 C08K C01F G01N   |   |                       |
| Documentation searched other than minimum documentation to the extent that such documents are included in the fields searched   |   |                       |
| Electronic data base consulted during the international search (name of data base and, where practical, search terms used)  |   |                       |
| <b>C. DOCUMENTS CONSIDERED TO BE RELEVANT</b>   |   |                       |
| Category °  | Citation of document, with indication, where appropriate, of the relevant passages  | Relevant to claim No. |
| P, X  | EP 0 810 258 A (MICHELIN & CIE)<br>3 December 1997 (1997-12-03)<br>abstract; claims; example 4<br>---   | 1-27                  |
| X   | EP 0 807 603 A (SUMITOMO CHEMICAL CO)<br>19 November 1997 (1997-11-19)<br>abstract; claims; example 1<br>page 3, line 6 - line 16<br>---  | 1-27                  |
| X   | US 3 268 295 A (B.F. ARMBRUST ET AL.)<br>23 August 1966 (1966-08-23)<br>claims; example 1<br>column 1, line 45 - line 50<br>column 7, line 14 - line 54<br>column 11, line 74 - column 12, line 25<br>---<br>-/-- | 1-27                  |
| <input checked="" type="checkbox"/> Further documents are listed in the continuation of box C. <span style="margin-left: 200px;"><input checked="" type="checkbox"/> Patent family members are listed in annex.</span>  |   |                       |
| ° Special categories of cited documents :<br><br>"A" document defining the general state of the art which is not considered to be of particular relevance<br>"E" earlier document but published on or after the international filing date<br>"L" document which may throw doubts on priority claim(s) or which is cited to establish the publication date of another citation or other special reason (as specified)<br>"O" document referring to an oral disclosure, use, exhibition or other means<br>"P" document published prior to the international filing date but later than the priority date claimed<br><br>"T" later document published after the international filing date or priority date and not in conflict with the application but cited to understand the principle or theory underlying the invention<br>"X" document of particular relevance; the claimed invention cannot be considered novel or cannot be considered to involve an inventive step when the document is taken alone<br>"Y" document of particular relevance; the claimed invention cannot be considered to involve an inventive step when the document is combined with one or more other such documents, such combination being obvious to a person skilled in the art.<br>"&" document member of the same patent family |   |                       |
| Date of the actual completion of the international search   | Date of mailing of the international search report  |                       |
| 23 July 1999  | 04.08.99  |                       |
| Name and mailing address of the ISA   | Authorized officer  |                       |
| European Patent Office, P.B. 5818 Patentlaan 2<br>NL - 2280 HV Rijswijk<br>Tel. (+31-70) 340-2040, Tx. 31 651 epo nl,<br>Fax: (+31-70) 340-3016   | Kempf, G  |                       |

# INTERNATIONAL SEARCH REPORT

I. national Application No

PCT/EP 98/07680

| C.(Continuation) DOCUMENTS CONSIDERED TO BE RELEVANT |  |                       |
|--|--|-----------------------|
| Category °   | Citation of document, with indication, where appropriate, of the relevant passages   | Relevant to claim No. |
| X  | DE 830 944 C (COMPAGNIE DE PRODUITS<br>CHIMIQUES ET ELECTROMETALLURGIQUES ALAIS,<br>FROGES) 10 January 1952 (1952-01-10)<br>claims; example<br>---                           | 1-27                  |
| A  | US 5 403 570 A (CHEVALLIER YVONICK ET AL)<br>4 April 1995 (1995-04-04)<br>column 11, line 1 - line 40<br>---   |                       |
| A  | EP 0 735 088 A (MICHELIN & CIE)<br>2 October 1996 (1996-10-02)<br>abstract; claims; examples<br>column 3, line 15 - line 36<br>---   |                       |
| A  | US 5 665 605 A (COAKLEY ET AL.)<br>9 September 1997 (1997-09-09)<br>column 2, line 50 - column 3, line 60;<br>figure 2<br>abstract<br>---                                    | 28-37                 |
| A  | US 5 305 072 A (SAWADA ET AL.)<br>19 April 1994 (1994-04-19)<br>abstract<br>column 2, line 30 - line 58; figure 1<br>---   | 28-37                 |
| A  | GB 2 203 542 A (THE SECRETARY OF STATE FOR<br>DEFENSE.) 19 October 1988 (1988-10-19)<br>cited in the application<br>abstract<br>page 8, line 15 - line 26; figure 2<br>----- | 28-37                 |

## INTERNATIONAL SEARCH REPORT

International application No.  
PCT/EP 98/07680**Box I Observations where certain claims were found unsearchable (Continuation of item 1 of first sheet)**

This international search report has not been established in respect of certain claims under Article 17(2)(a) for the following reasons:

1.  Claims Nos.:  
because they relate to subject matter not required to be searched by this Authority, namely:
  
2.  Claims Nos.:  
because they relate to parts of the international application that do not comply with the prescribed requirements to such an extent that no meaningful international search can be carried out, specifically:
  
3.  Claims Nos.:  
because they are dependent claims and are not drafted in accordance with the second and third sentences of Rule 6.4(a).

**Box II Observations where unity of invention is lacking (Continuation of item 2 of first sheet)**

This International Searching Authority found multiple inventions in this international application, as follows:

See supplemental sheet

1.  As all required additional search fees were timely paid by the applicant, this international search report covers all searchable claims.
2.  As all searchable claims could be searched without effort justifying an additional fee, this Authority did not invite payment of any additional fee.
3.  As only some of the required additional search fees were timely paid by the applicant, this international search report covers only those claims for which fees were paid, specifically claims Nos.:
  
4.  No required additional search fees were timely paid by the applicant. Consequently, this international search report is restricted to the invention first mentioned in the claims; it is covered by claims Nos.:

**Remark on Protest**

The additional search fees were accompanied by the applicant's protest.

No protest accompanied the payment of additional search fees.

**INTERNATIONAL SEARCH REPORT**

International application No.

PCT/EP 98/07680

The International Searching Authority found several (groups of) inventions in the international application, namely:

1. Claims: 1-27

Aluminous filler, method, use, composition or product.

2. Claims: 28-37

Device for measuring ultrasound-deagglomeration rate, method and application of said method.

# INTERNATIONAL SEARCH REPORT

Information on patent family members

national Application No

PCT/EP 98/07680

| Patent document cited in search report | Publication date | Patent family member(s) | Publication date |
|--|------------------|-------------------------|------------------|
| EP 0810258    A                        | 03-12-1997       | FR 2749313 A            | 05-12-1997       |
|  |                  | BR 9703318 A            | 15-09-1998       |
|  |                  | CA 2207458 A            | 28-11-1997       |
|  |                  | CN 1168392 A            | 24-12-1997       |
|  |                  | JP 10053003 A           | 24-02-1998       |
|  |                  | US 5900449 A            | 04-05-1999       |
| -----                                  |                  |                         |                  |
| EP 0807603    A                        | 19-11-1997       | CA 2205518 A            | 16-11-1997       |
|  |                  | JP 10059713 A           | 03-03-1998       |
| -----                                  |                  |                         |                  |
| US 3268295    A                        | 23-08-1966       | NONE                    |                  |
| -----                                  |                  |                         |                  |
| DE 830944      C                       |                  | BE 492243 A             |                  |
|  |                  | FR 978550 A             | 16-04-1950       |
|  |                  | GB 663459 A             |                  |
|  |                  | US 2656250 A            | 20-10-1953       |
| -----                                  |                  |                         |                  |
| US 5403570    A                        | 04-04-1995       | FR 2678259 A            | 31-12-1992       |
|  |                  | AU 647282 B             | 17-03-1994       |
|  |                  | AU 1853692 A            | 21-01-1993       |
|  |                  | CA 2072399 A            | 27-12-1992       |
|  |                  | CN 1069244 A, B         | 24-02-1993       |
|  |                  | EP 0520862 A            | 30-12-1992       |
|  |                  | FI 922955 A             | 27-12-1992       |
|  |                  | JP 5201719 A            | 10-08-1993       |
|  |                  | JP 6074127 B            | 21-09-1994       |
|  |                  | KR 133506 B             | 21-04-1998       |
|  |                  | MX 9203536 A            | 01-12-1993       |
|  |                  | US 5547502 A            | 20-08-1996       |
|  |                  | US 5587416 A            | 24-12-1996       |
| -----                                  |                  |                         |                  |
| EP 0735088    A                        | 02-10-1996       | FR 2732351 A            | 04-10-1996       |
|  |                  | AT 175703 T             | 15-01-1999       |
|  |                  | AU 5034796 A            | 10-10-1996       |
|  |                  | CA 2170717 A            | 30-09-1996       |
|  |                  | CN 1134952 A            | 06-11-1996       |
|  |                  | DE 69601317 D           | 25-02-1999       |
|  |                  | DE 69601317 T           | 10-06-1999       |
|  |                  | ES 2127583 T            | 16-04-1999       |
|  |                  | JP 8277346 A            | 22-10-1996       |
|  |                  | US 5852099 A            | 22-12-1998       |
|  |                  | -----                   |                  |
| US 5665605    A                        | 09-09-1997       | GB 2265004 A            | 15-09-1993       |
|  |                  | AT 144837 T             | 15-11-1996       |
|  |                  | AU 3644693 A            | 21-10-1993       |
|  |                  | DE 69305733 D           | 05-12-1996       |
|  |                  | DE 69305733 T           | 30-04-1997       |
|  |                  | DK 630477 T             | 01-04-1997       |
|  |                  | EP 0630477 A            | 28-12-1994       |
|  |                  | ES 2094531 T            | 16-01-1997       |
|  |                  | WO 9319367 A            | 30-09-1993       |
|  |                  | GR 3022046 T            | 31-03-1997       |
|  |                  | JP 7504985 T            | 01-06-1995       |
|  |                  | US 5912182 A            | 15-06-1999       |
|  |                  | -----                   |                  |
| US 5305072    A                        | 19-04-1994       | NONE                    |                  |
| -----                                  |                  |                         |                  |
| GB 2203542    A                        | 19-10-1988       | NONE                    |                  |

# RAPPORT DE RECHERCHE INTERNATIONALE

Numéro internationale No  
PCT/EP 98/07680

| <b>A. CLASSEMENT DE L'OBJET DE LA DEMANDE</b>   |   |  |
|---|---|--|
| CIB 6   | C01F7/02<br>G01N29/00   | C01F7/34<br>G01N15/02  |
|   | C08K3/22  | C08L21/00  |
|   |   | B60C1/00   |
| Selon la classification internationale des brevets (CIB) ou à la fois selon la classification nationale et la CIB   |   |  |
| <b>B. DOMAINES SUR LESQUELS LA RECHERCHE A PORTE</b>  |   |  |
| Documentation minimale consultée (système de classification suivi des symboles de classement)   |   |  |
| CIB 6   | C08K  | C01F G01N  |
| Documentation consultée autre que la documentation minimale dans la mesure où ces documents relèvent des domaines sur lesquels a porté la recherche   |   |  |
| Base de données électronique consultée au cours de la recherche internationale (nom de la base de données, et si réalisable, termes de recherche utilisés)  |   |  |
| <b>C. DOCUMENTS CONSIDERES COMME PERTINENTS</b>   |   |  |
| Catégorie   | Identification des documents cités, avec, le cas échéant, l'indication des passages pertinents  | no. des revendications visées                                    |
| P, X  | EP 0 810 258 A (MICHELIN & CIE)<br>3 décembre 1997 (1997-12-03)<br>abrégé; revendications; exemple 4<br>---   | 1-27   |
| X   | EP 0 807 603 A (SUMITOMO CHEMICAL CO)<br>19 novembre 1997 (1997-11-19)<br>abrégé; revendications; exemple 1<br>page 3, ligne 6 - ligne 16<br>---  | 1-27   |
| X   | US 3 268 295 A (B.F. ARMBRUST ET AL.)<br>23 août 1966 (1966-08-23)<br>revendications; exemple 1<br>colonne 1, ligne 45 - ligne 50<br>colonne 7, ligne 14 - ligne 54<br>colonne 11, ligne 74 - colonne 12, ligne 25<br>--- | 1-27   |
|   | -/--  |  |
| <input checked="" type="checkbox"/> Voir la suite du cadre C pour la fin de la liste des documents <input checked="" type="checkbox"/> Les documents de familles de brevets sont indiqués en annexe   |   |  |
| ° Catégories spéciales de documents cités:<br>"A" document définissant l'état général de la technique, non considéré comme particulièrement pertinent<br>"E" document antérieur, mais publié à la date de dépôt international ou après cette date<br>"L" document pouvant jeter un doute sur une revendication de priorité ou cité pour déterminer la date de publication d'une autre citation ou pour une raison spéciale (telle qu'indiquée)<br>"O" document se référant à une divulgation orale, à un usage, à une exposition ou tous autres moyens<br>"P" document publié avant la date de dépôt international, mais postérieurement à la date de priorité revendiquée<br>"T" document ultérieur publié après la date de dépôt international ou la date de priorité et n'appartenant pas à l'état de la technique pertinent, mais cité pour comprendre le principe ou la théorie constituant la base de l'invention<br>"X" document particulièrement pertinent; l'invention revendiquée ne peut être considérée comme nouvelle ou comme impliquant une activité inventive par rapport au document considéré isolément<br>"Y" document particulièrement pertinent; l'invention revendiquée ne peut être considérée comme impliquant une activité inventive lorsque le document est associé à un ou plusieurs autres documents de même nature, cette combinaison étant évidente pour une personne du métier<br>"Z" document qui fait partie de la même famille de brevets |   |  |
| Date à laquelle la recherche internationale a été effectivement achevée   |   | Date d'expédition du présent rapport de recherche internationale |
| 23 juillet 1999   |   | 04.08.99   |
| Nom et adresse postale de l'administration chargée de la recherche internationale   |   | Fonctionnaire autorisé   |
| Office Européen des Brevets, P.B. 5818 Patentlaan 2<br>NL - 2280 HV Rijswijk<br>Tel. (+31-70) 340-2040, Tx. 31 651 epo nl,<br>Fax: (+31-70) 340-3016  |   | Kempf, G   |



# RAPPORT DE RECHERCHE INTERNATIONALE

C. demande internationale No  
PCT/EP 98/07680

| C.(suite) DOCUMENTS CONSIDERES COMME PERTINENTS |   |                               |
|---|---|-------------------------------|
| Catégorie                                       | Identification des documents cités, avec, le cas échéant, l'indication des passages pertinents  | no. des revendications visées |
| X   | DE 830 944 C (COMPAGNIE DE PRODUITS CHIMIQUES ET ELECTROMETALLURGIQUES ALAIS, FROGES) 10 janvier 1952 (1952-01-10)<br>revendications; exemple<br>-----                | 1-27                          |
| A   | US 5 403 570 A (CHEVALLIER YVONICK ET AL)<br>4 avril 1995 (1995-04-04)<br>colonne 11, ligne 1 - ligne 40<br>-----   |                               |
| A   | EP 0 735 088 A (MICHELIN & CIE)<br>2 octobre 1996 (1996-10-02)<br>abrégé; revendications; exemples<br>colonne 3, ligne 15 - ligne 36<br>-----                         |                               |
| A   | US 5 665 605 A (COAKLEY ET AL.)<br>9 septembre 1997 (1997-09-09)<br>colonne 2, ligne 50 - colonne 3, ligne 60; figure 2<br>abrégé<br>-----                            | 28-37                         |
| A   | US 5 305 072 A (SAWADA ET AL.)<br>19 avril 1994 (1994-04-19)<br>abrégé<br>colonne 2, ligne 30 - ligne 58; figure 1<br>-----   | 28-37                         |
| A   | GB 2 203 542 A (THE SECRETARY OF STATE FOR DEFENSE.) 19 octobre 1988 (1988-10-19)<br>cité dans la demande<br>abrégé<br>page 8, ligne 15 - ligne 26; figure 2<br>----- | 28-37                         |

RAPPORT DE RECHERCHE INTERNATIONALE

La demande internationale n°  
PCT/EP 98/07680

**Cadre I Observations - lorsqu'il a été estimé que certaines revendications ne pouvaient pas faire l'objet d'une recherche (suite du point 1 de la première feuille)**

Conformément à l'article 17.2)a), certaines revendications n'ont pas fait l'objet d'une recherche pour les motifs suivants:

1.  Les revendications n<sup>os</sup> se rapportent à un objet à l'égard duquel l'administration n'est pas tenue de procéder à la recherche, à savoir:
  
2.  Les revendications n<sup>os</sup> se rapportent à des parties de la demande internationale qui ne remplissent pas suffisamment les conditions prescrites pour qu'une recherche significative puisse être effectuée, en particulier:
  
3.  Les revendications n<sup>os</sup> sont des revendications dépendantes et ne sont pas rédigées conformément aux dispositions de la deuxième et de la troisième phrases de la règle 6.4.a).

**Cadre II Observations - lorsqu'il y a absence d'unité de l'invention (suite du point 2 de la première feuille)**

L'administration chargée de la recherche internationale a trouvé plusieurs inventions dans la demande internationale, à savoir:

voir feuille supplémentaire

1.  Comme toutes les taxes additionnelles ont été payées dans les délais par le déposant, le présent rapport de recherche internationale porte sur toutes les revendications pouvant faire l'objet d'une recherche.
  
2.  Comme toutes les recherches portant sur les revendications qui s'y prêtaient ont pu être effectuées sans effort particulier justifiant une taxe additionnelle, l'administration n'a sollicité le paiement d'aucune taxe de cette nature.
  
3.  Comme une partie seulement des taxes additionnelles demandées a été payée dans les délais par le déposant, le présent rapport de recherche internationale ne porte que sur les revendications pour lesquelles les taxes ont été payées, à savoir les revendications n<sup>os</sup>
  
4.  Aucune taxe additionnelle demandée n'a été payée dans les délais par le déposant. En conséquence, le présent rapport de recherche internationale ne porte que sur l'invention mentionnée en premier lieu dans les revendications; elle est couverte par les revendications n<sup>os</sup>

Remarque quant à la réserve

- Les taxes additionnelles étaient accompagnées d'une réserve de la part du déposant.
- Le paiement des taxes additionnelles n'était assorti d'aucune réserve.

**SUITE DES RENSEIGNEMENTS INDIQUES SUR PCT/ISA/ 210**

L'administration chargée de la recherche internationale a trouvé plusieurs (groupes d') inventions dans la demande internationale, à savoir:

1. revendications: 1-27

Charge alumineuse, procédé, utilisation, composition ou article

2. revendications: 28-37

Dispositif de mesure de la vitesse de désagglomération aux ultrasons, méthode et utilisation de la méthode.

# RAPPORT DE RECHERCHE INTERNATIONALE

Renseignements relatifs aux membres de familles de brevets

Dem : Internationale No

PCT/EP 98/07680

| Document brevet cité<br>au rapport de recherche | Date de<br>publication | Membre(s) de la<br>famille de brevet(s) | Date de<br>publication |
|---|------------------------|---|------------------------|
| EP 0810258 A                                    | 03-12-1997             | FR 2749313 A                            | 05-12-1997             |
|   |                        | BR 9703318 A                            | 15-09-1998             |
|   |                        | CA 2207458 A                            | 28-11-1997             |
|   |                        | CN 1168392 A                            | 24-12-1997             |
|   |                        | JP 10053003 A                           | 24-02-1998             |
|   |                        | US 5900449 A                            | 04-05-1999             |
| -----   |                        |   |                        |
| EP 0807603 A                                    | 19-11-1997             | CA 2205518 A                            | 16-11-1997             |
|   |                        | JP 10059713 A                           | 03-03-1998             |
| -----   |                        |   |                        |
| US 3268295 A                                    | 23-08-1966             | AUCUN                                   |                        |
| -----   |                        |   |                        |
| DE 830944 C                                     |                        | BE 492243 A                             |                        |
|   |                        | FR 978550 A                             | 16-04-1950             |
|   |                        | GB 663459 A                             |                        |
|   |                        | US 2656250 A                            | 20-10-1953             |
| -----   |                        |   |                        |
| US 5403570 A                                    | 04-04-1995             | FR 2678259 A                            | 31-12-1992             |
|   |                        | AU 647282 B                             | 17-03-1994             |
|   |                        | AU 1853692 A                            | 21-01-1993             |
|   |                        | CA 2072399 A                            | 27-12-1992             |
|   |                        | CN 1069244 A,B                          | 24-02-1993             |
|   |                        | EP 0520862 A                            | 30-12-1992             |
|   |                        | FI 922955 A                             | 27-12-1992             |
|   |                        | JP 5201719 A                            | 10-08-1993             |
|   |                        | JP 6074127 B                            | 21-09-1994             |
|   |                        | KR 133506 B                             | 21-04-1998             |
|   |                        | MX 9203536 A                            | 01-12-1993             |
|   |                        | US 5547502 A                            | 20-08-1996             |
|   |                        | US 5587416 A                            | 24-12-1996             |
|   |                        | -----                                   |                        |
| EP 0735088 A                                    | 02-10-1996             | FR 2732351 A                            | 04-10-1996             |
|   |                        | AT 175703 T                             | 15-01-1999             |
|   |                        | AU 5034796 A                            | 10-10-1996             |
|   |                        | CA 2170717 A                            | 30-09-1996             |
|   |                        | CN 1134952 A                            | 06-11-1996             |
|   |                        | DE 69601317 D                           | 25-02-1999             |
|   |                        | DE 69601317 T                           | 10-06-1999             |
|   |                        | ES 2127583 T                            | 16-04-1999             |
|   |                        | JP 8277346 A                            | 22-10-1996             |
|   |                        | US 5852099 A                            | 22-12-1998             |
|   |                        | -----                                   |                        |
| US 5665605 A                                    | 09-09-1997             | GB 2265004 A                            | 15-09-1993             |
|   |                        | AT 144837 T                             | 15-11-1996             |
|   |                        | AU 3644693 A                            | 21-10-1993             |
|   |                        | DE 69305733 D                           | 05-12-1996             |
|   |                        | DE 69305733 T                           | 30-04-1997             |
|   |                        | DK 630477 T                             | 01-04-1997             |
|   |                        | EP 0630477 A                            | 28-12-1994             |
|   |                        | ES 2094531 T                            | 16-01-1997             |
|   |                        | WO 9319367 A                            | 30-09-1993             |
|   |                        | GR 3022046 T                            | 31-03-1997             |
|   |                        | JP 7504985 T                            | 01-06-1995             |
|   |                        | US 5912182 A                            | 15-06-1999             |
|   |                        | -----                                   |                        |
| US 5305072 A                                    | 19-04-1994             | AUCUN                                   |                        |
| -----   |                        |   |                        |
| GB 2203542 A                                    | 19-10-1988             | AUCUN                                   |                        |