



US00D527296S

(12) **United States Design Patent** (10) **Patent No.:** **US D527,296 S**
Concari et al. (45) **Date of Patent:** **** Aug. 29, 2006**

(54) **CONTAINER SENSOR**

(75) Inventors: **Gabriel E. Concari**, Eldersburg, MD (US); **Harry B. Taylor**, Lafayette, CO (US)

(73) Assignee: **Black & Decker Inc.**, Newark, DE (US)

(**) Term: **14 Years**

(21) Appl. No.: **29/216,967**

(22) Filed: **Nov. 10, 2004**

(51) **LOC (8) Cl.** **10-05**

(52) **U.S. Cl.** **D10/106**

(58) **Field of Classification Search** D10/104, D10/106, 116, 121; 340/500, 506, 540, 541, 340/545, 573-576, 600, 693

See application file for complete search history.

(56) **References Cited**

U.S. PATENT DOCUMENTS

| | | | |
|-------------|-----------|-----------------|---------|
| D71,080 S | 9/1926 | Raymond | |
| D190,306 S | 5/1961 | Willis | |
| D275,658 S | 9/1984 | Kahl et al. | |
| 4,703,171 A | 10/1987 | Kahl et al. | |
| D302,951 S | 8/1989 | Kotlicki et al. | |
| D307,560 S | 5/1990 | Andrews et al. | |
| D339,079 S | 9/1993 | Behlke | |
| D346,567 S | 5/1994 | Rimon | |
| D346,982 S | 5/1994 | Greene et al. | |
| D356,748 S | 3/1995 | Carmi | |
| D359,922 S | 7/1995 | Sandell | |
| D359,923 S | 7/1995 | Sandell | |
| D364,827 S | 12/1995 | Carmi | |
| D370,863 S | 6/1996 | Carmi | |
| D376,116 S | * 12/1996 | Dziersk et al. | D10/106 |
| D377,458 S | * 1/1997 | Tsui | D10/104 |
| D381,283 S | 7/1997 | Soreo | |
| D383,078 S | 9/1997 | Carmi | |
| D392,257 S | 3/1998 | Lecheler et al. | |
| 5,739,753 A | 4/1998 | Porter | |
| D399,155 S | 10/1998 | Roberts | |
| D409,936 S | 5/1999 | Baldwin et al. | |

| | | | |
|-----------------|-----------|----------------|---------|
| D421,403 S | 3/2000 | Kanzaki | |
| D424,461 S | * 5/2000 | Taylor | D10/104 |
| D430,055 S | 8/2000 | Aiello et al. | |
| D431,486 S | * 10/2000 | Iseli et al. | D10/106 |
| D432,503 S | 10/2000 | Taylor | |
| D455,406 S | 4/2002 | Pinchuk | |
| D468,224 S | * 1/2003 | Kainuma et al. | D10/104 |
| D485,774 S | 1/2004 | Hwang et al. | |
| 2005/0030180 A1 | 2/2005 | Pantus et al. | |
| 2005/0149090 A1 | * 7/2005 | Morita et al. | 606/181 |

OTHER PUBLICATIONS

Lelux Electronics Motion Sensor 3/5/5 http://www.global-sources.com/gsol/GeneralManager?&catalog_id=2000000003844&design=clean&language=en&action=GetProduct&page=ProductDetail&product_id=1000449985&action=GetPoint&point_id=3000000149681&big=y.

(Continued)

Primary Examiner—Antoine D. Davis
Assistant Examiner—Patricia Palasik
(74) *Attorney, Agent, or Firm*—Harness, Dickey & Pierce, P.L.C.

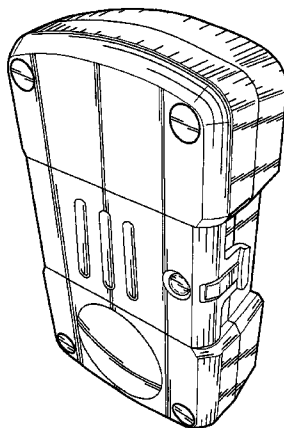
(57) **CLAIM**

The ornamental design for a container sensor, as shown and described.

DESCRIPTION

FIG. 1 is a perspective view of a container sensor in accordance with the present invention; FIG. 2 is a front plan view of the container sensor of FIG. 1; FIG. 3 is a left side plan view of the container sensor of FIG. 1; FIG. 4 is a top plan view of the container sensor of FIG. 1; FIG. 5 is a rear plan view of the container sensor of FIG. 1; FIG. 6 is a bottom plan view of the container sensor of FIG. 1; and, FIG. 7 is a right side plan view of the container sensor of FIG. 1.

1 Claim, 4 Drawing Sheets



OTHER PUBLICATIONS

Nietzsche Enterprise Co. Motion sensor 3/5/5 Ltd http://www.globalsources.com/gsol/GeneralManager?&design=clean&language=en&page=ProductDetail&product_id=8830502566&action=GetProduct&action=GetPoint&point_id=3000000149681&catalog_id=2000000003844.

Longhorn Industrial Motion Sensor 3/5/5 http://www.globalsources.com/gsol/GeneralManager?&catalog_id=2000000003844&design=clean&language=en&action=GetProduct&page=ProductDetail&product_id=1000610597&action=GetPoint&point_id=3000000149681&big=y.

* cited by examiner

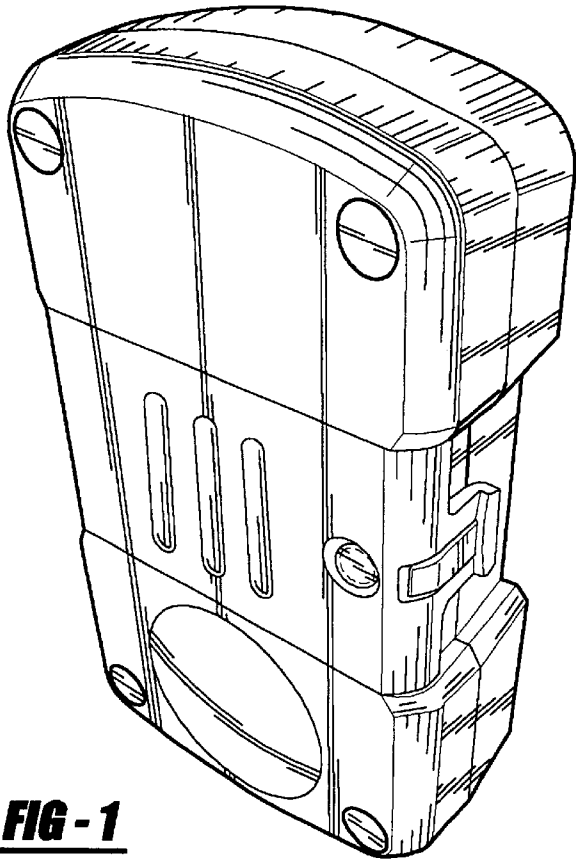


FIG - 1

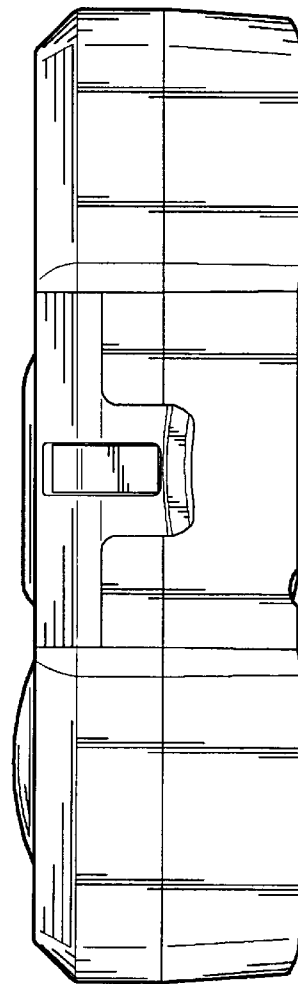


FIG - 2

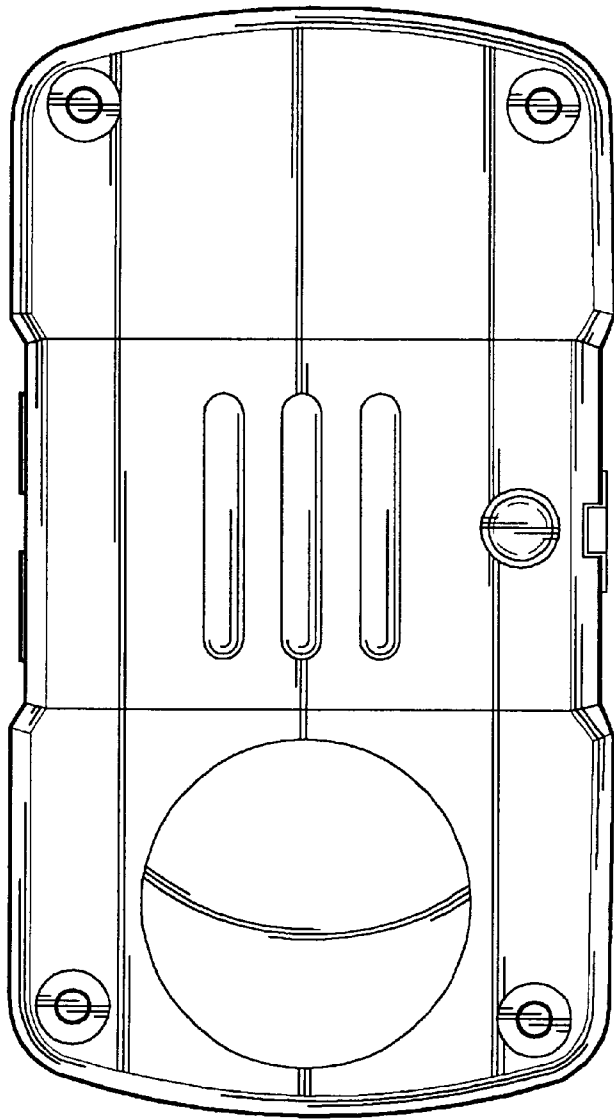
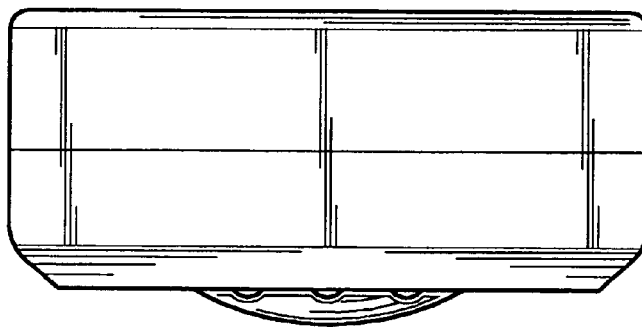


FIG - 3

FIG - 4



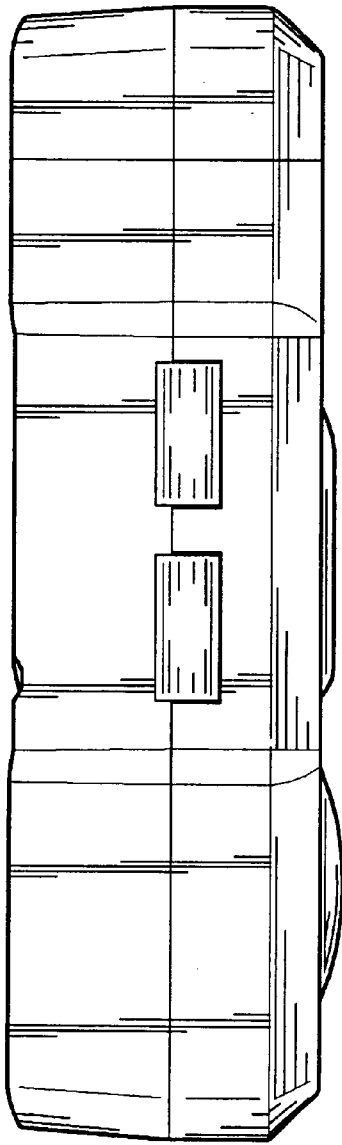


FIG - 5

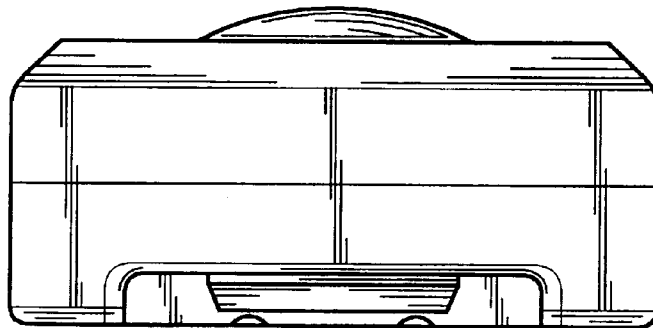


FIG - 6

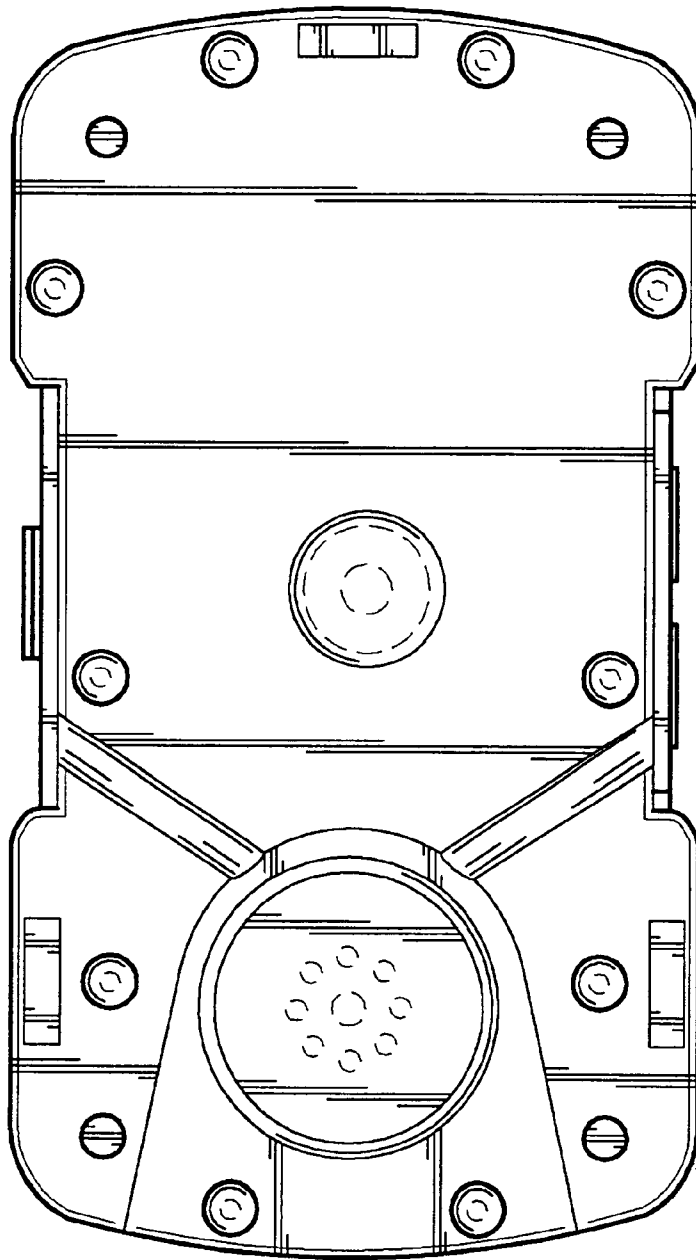


FIG - 7