



(12) **United States Design Patent**
Lakamp et al.

(10) **Patent No.:** **US D806,012 S**
(45) **Date of Patent:** **** Dec. 26, 2017**

(54) **CONFIGURABLE SOLAR-POWERED UTILITY TOWER**

(71) Applicant: **Totem Power, Inc.**, Bedford, NY (US)

(72) Inventors: **Brian D. Lakamp**, Bedford, NY (US);
Ahmed ElHusseiny, Brooklyn, NY (US);
Jeffrey Kenoff, Bedford, NY (US)

(73) Assignee: **TOTEM POWER, INC.**, Bedford, NY (US)

(**) Term: **15 Years**

(21) Appl. No.: **29/564,787**

(22) Filed: **May 16, 2016**

(51) **LOC (10) Cl.** **13-02**

(52) **U.S. Cl.**
USPC **D13/102**

(58) **Field of Classification Search**

USPC D10/104.1; D13/101, 102, 103, 107,
D13/109, 118, 119, 184, 199; D14/371,
D14/432, 439, 441, 447, 451
CPC .. F21S 8/086; F21S 8/088; F21S 9/032; F21S
9/035; H01L 31/02008; H01L 31/0201;
H01L 31/042; F24J 2002/1019; F24J
2002/1004; F24J 2/07; F24J 2/22; F24J
2/32; F24J 2/523; F24J 2/5232; F24J
2/5237; Y02E 10/40; Y02E 10/41; Y02E
10/42

See application file for complete search history.

(56) **References Cited**

U.S. PATENT DOCUMENTS

D341,221 S * 11/1993 Elazari D26/68
D571,496 S * 6/2008 Lenz D26/68
D680,949 S * 4/2013 Swatek D13/102

(Continued)

OTHER PUBLICATIONS

Totem Reference (available online Nov. 26, 2016) Retrieved from the internet Dec. 12, 2016, retrieved from the internet URL: <http://www.totempower.net/>.*

Primary Examiner — Garth Rademaker
Assistant Examiner — Richard Kearney
(74) *Attorney, Agent, or Firm* — Pearl Cohen Zedek
Latzler Baratz LLP

(57) **CLAIM**

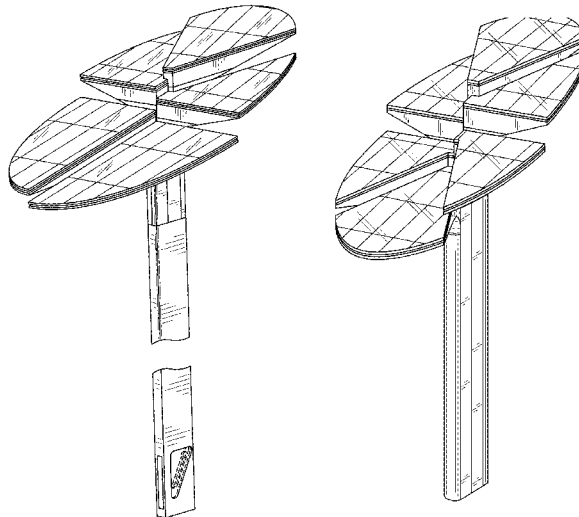
The ornamental design for a configurable solar-powered utility tower, as shown and described.

DESCRIPTION

FIG. 1 is a front, right side perspective view of a first embodiment of a configurable solar-powered utility tower, showing my new design;
FIG. 2 is a front elevation view thereof;
FIG. 3 is a rear elevation view thereof;
FIG. 4 is a left side elevation view thereof;
FIG. 5 is a right side elevation view thereof;
FIG. 6 is a top plan view thereof;
FIG. 7 is a bottom plan view thereof;
FIG. 8 is a front, right side perspective view of a second embodiment of a configurable solar-powered utility tower, showing my new design;
FIG. 9 is a front elevation view thereof;
FIG. 10 is a rear elevation view thereof;
FIG. 11 is a left side elevation view thereof;
FIG. 12 is a right side elevation view thereof;
FIG. 13 is a top plan view thereof; and,
FIG. 14 is a bottom plan of the configurable solar-powered utility tower of FIG. 8.

The configurable solar-powered utility tower is shown with a symbolic break in its height. The appearance of any portion of the article between the break lines forms no part of the claimed design. The broken lines shown in the drawings illustrate portions of the configurable solar-powered utility tower that form no part of the claimed design.

1 Claim, 12 Drawing Sheets



(56)

References Cited

U.S. PATENT DOCUMENTS

D688,621	S *	8/2013	Mozzardi	D13/102
D728,466	S *	5/2015	Ehrsam	D13/102
9,209,650	B2 *	12/2015	Nita	H02J 7/355
D758,036	S *	5/2016	Hudson	D32/60
D768,282	S *	10/2016	Cardoso	D23/386
D769,183	S *	10/2016	Kubitz	D13/102
2011/0005573	A1 *	1/2011	Chang	F24J 2/541 136/245
2011/0133689	A1 *	6/2011	Uchihashi	H02S 40/38 320/101
2011/0228523	A1 *	9/2011	Zheng	F21S 9/03 362/184
2013/0139808	A1 *	6/2013	Lin	F24J 2/02 126/681

* cited by examiner

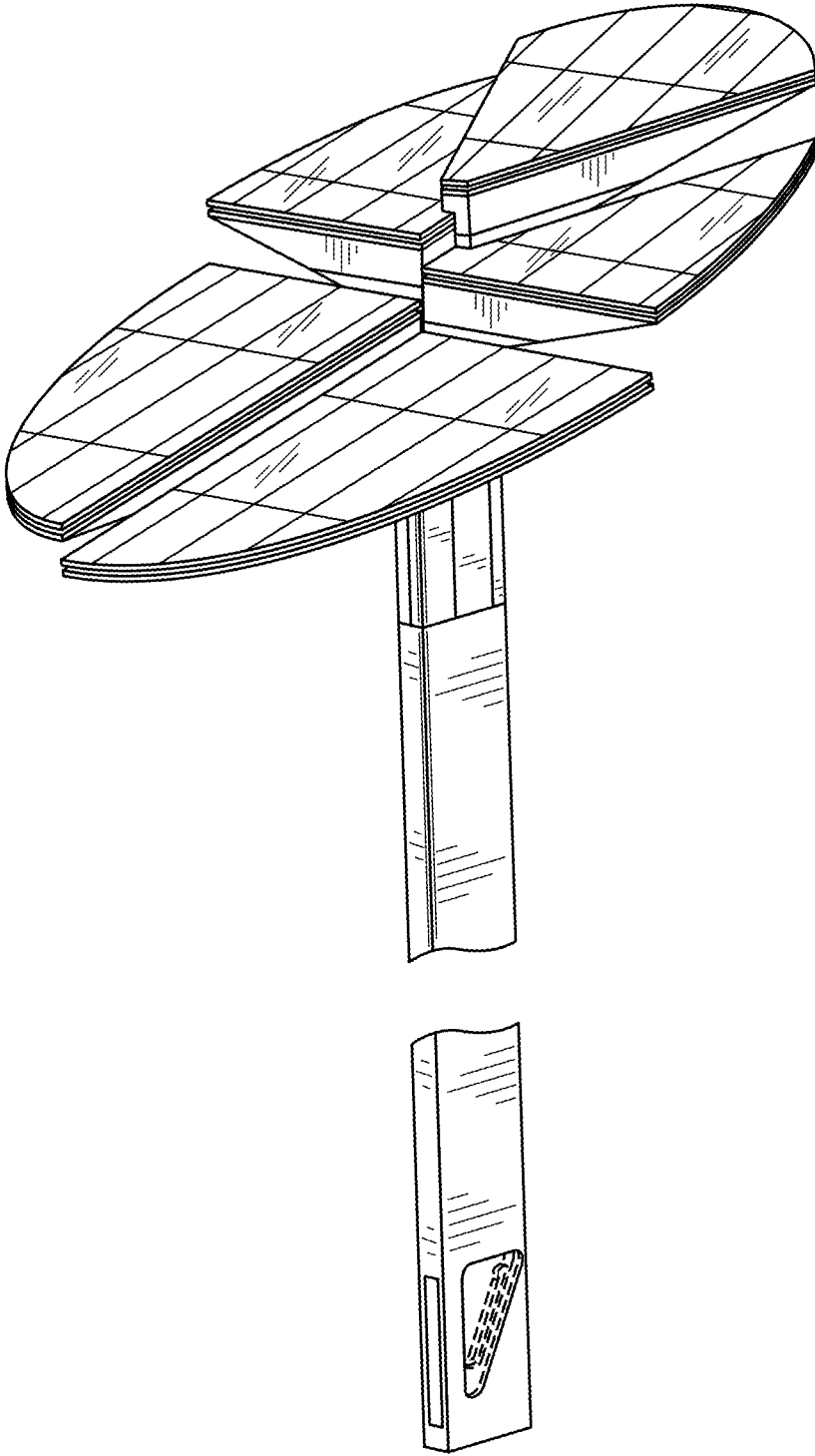


FIG. 1

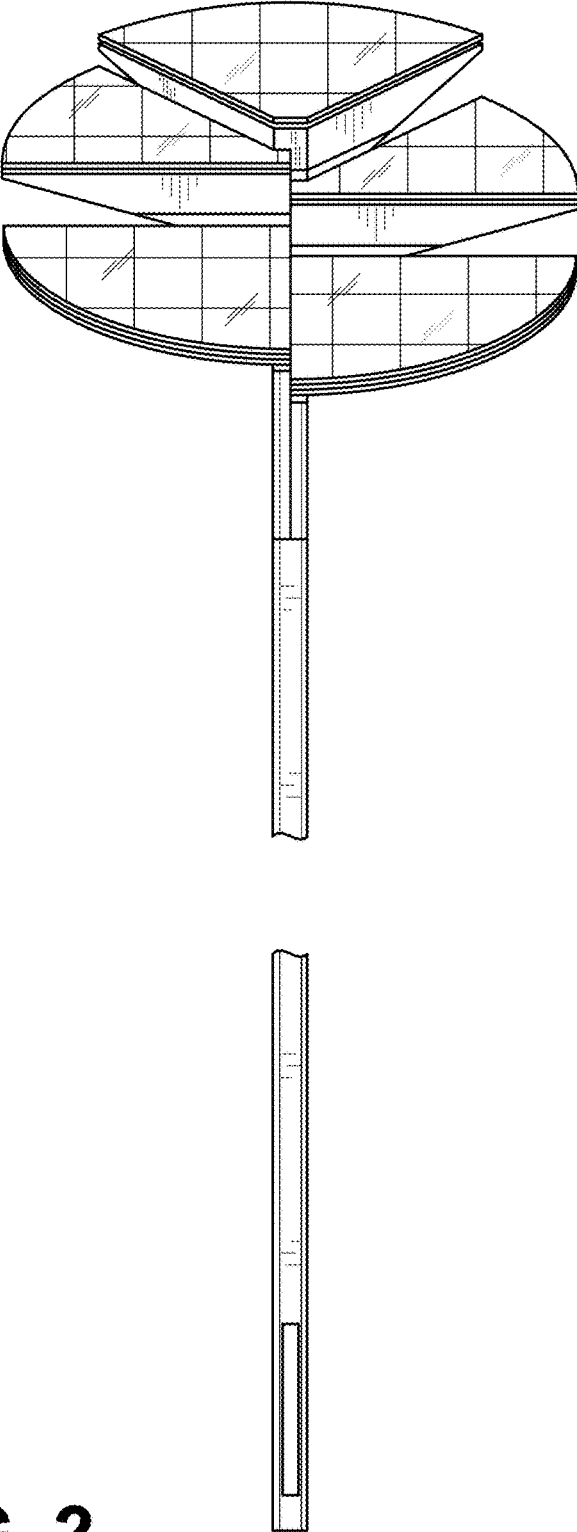


FIG. 2

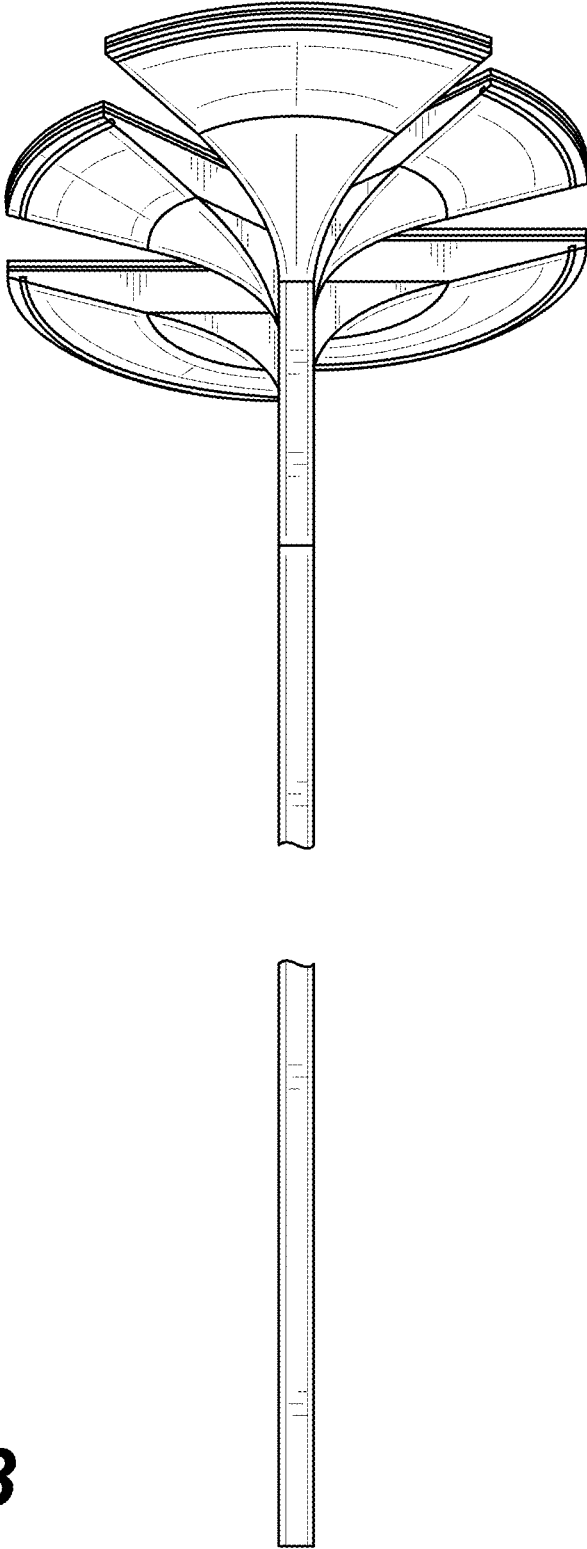


FIG. 3

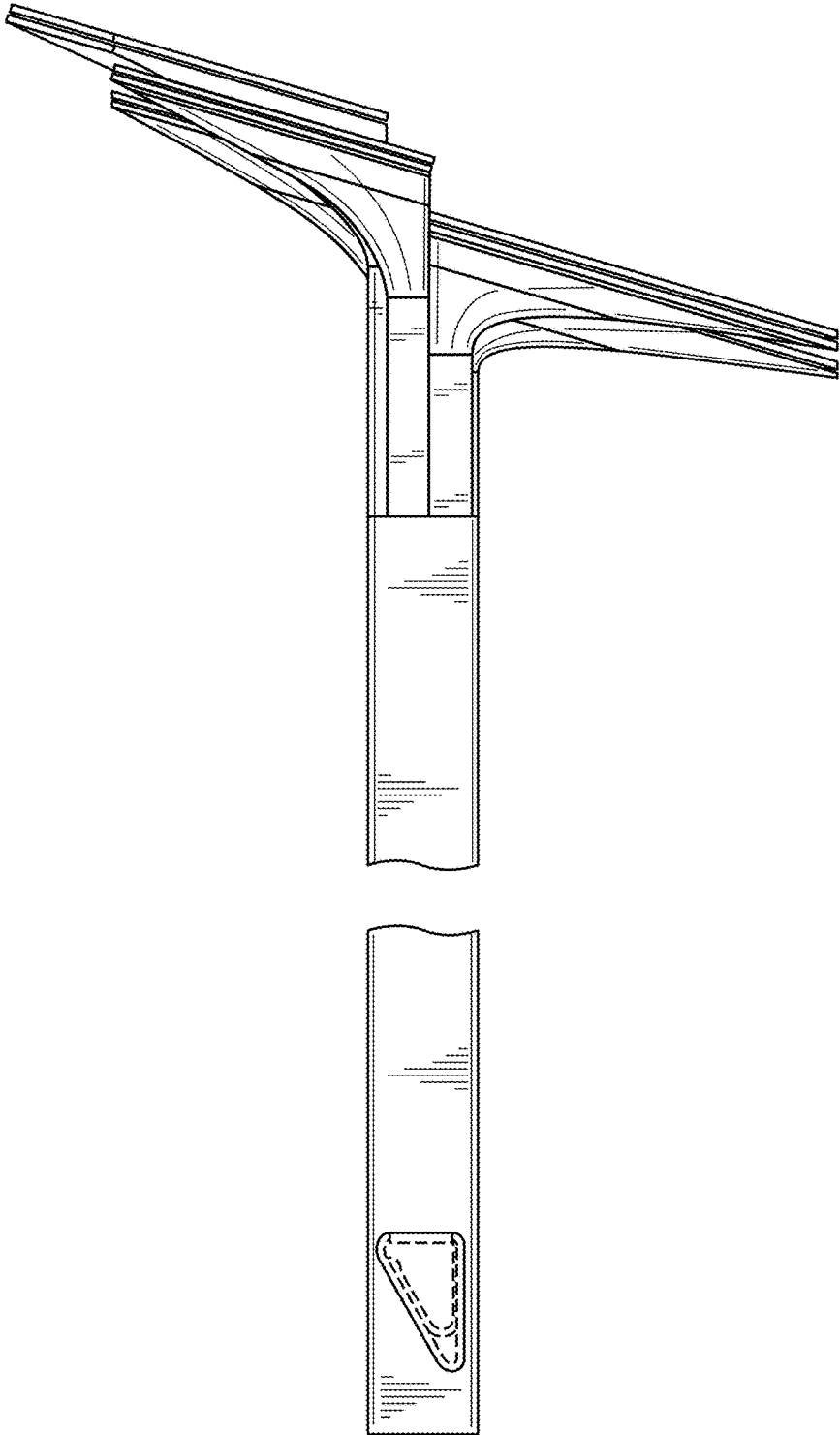


FIG. 4

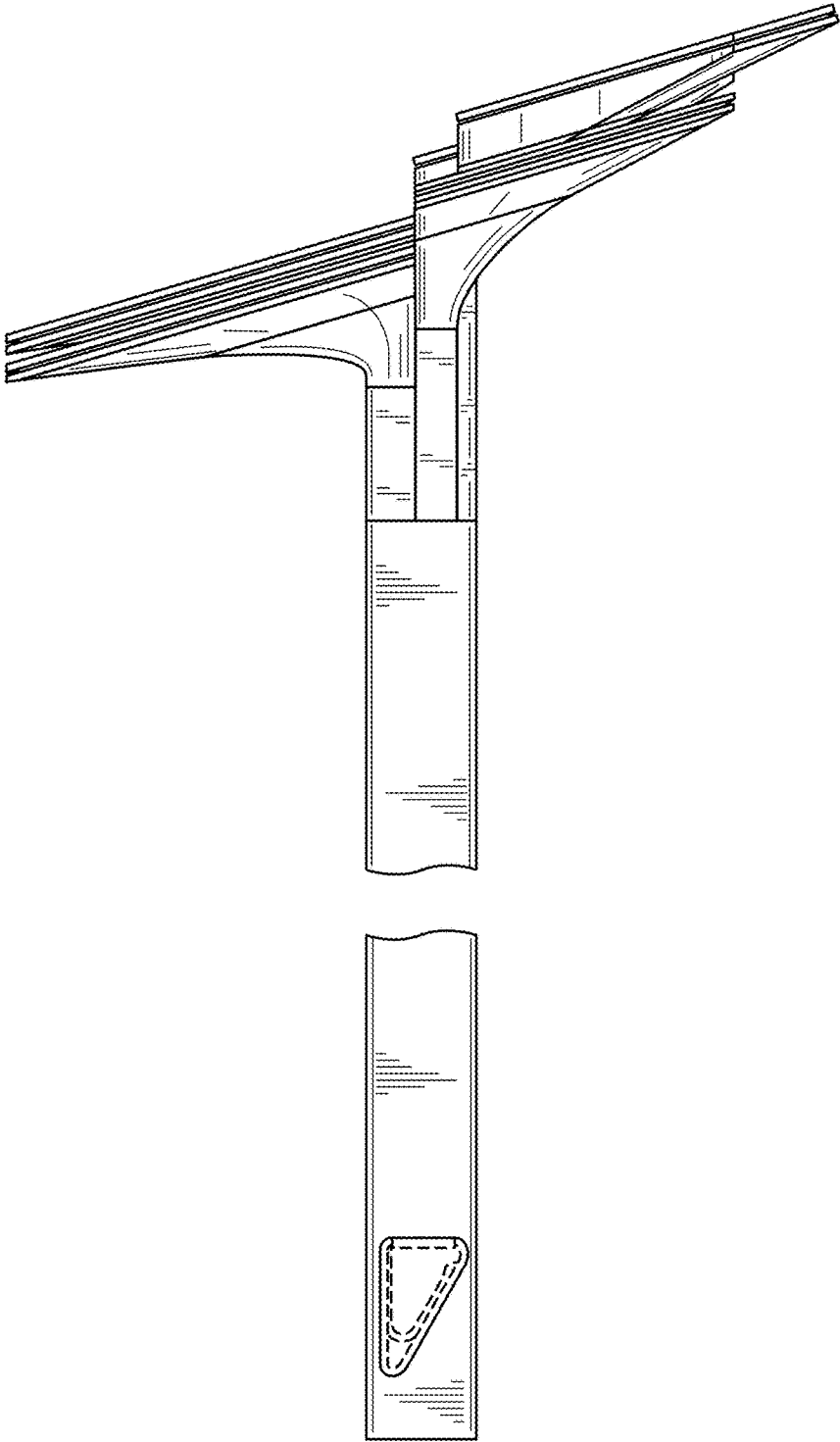


FIG. 5

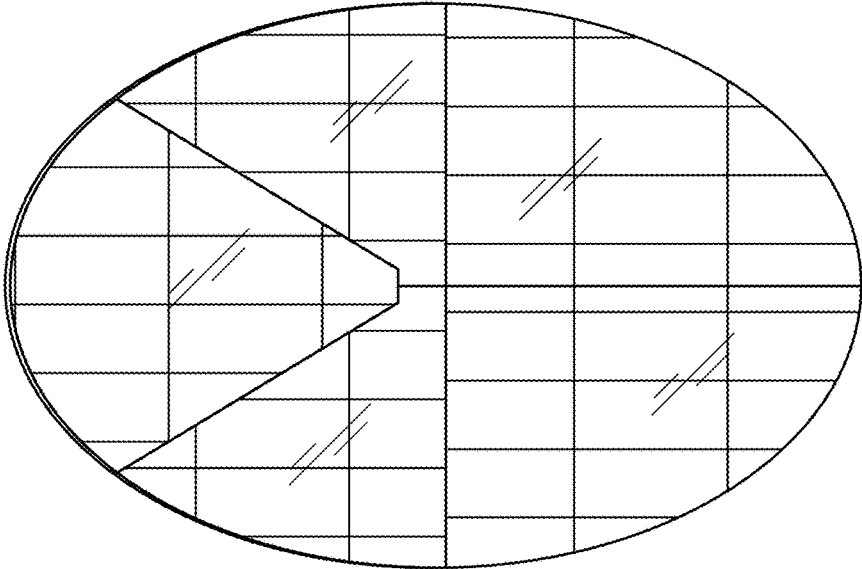


FIG. 6

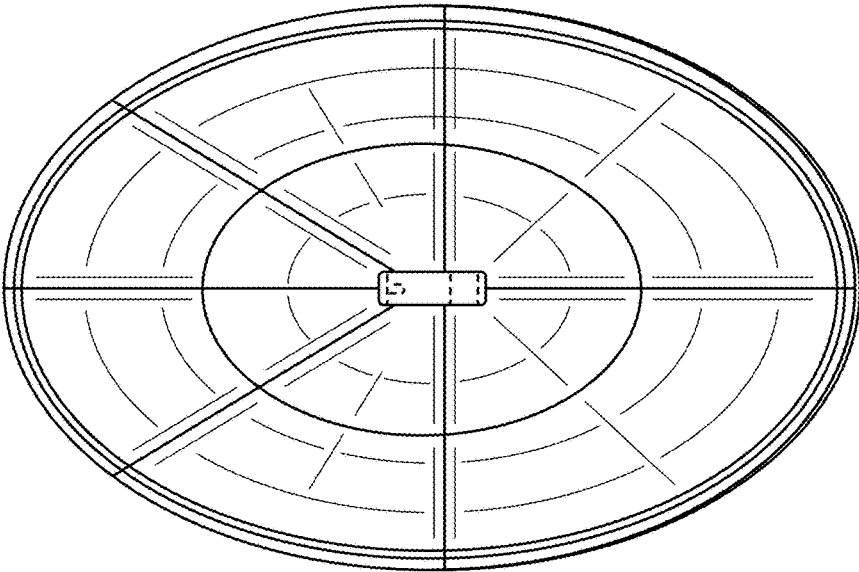


FIG. 7

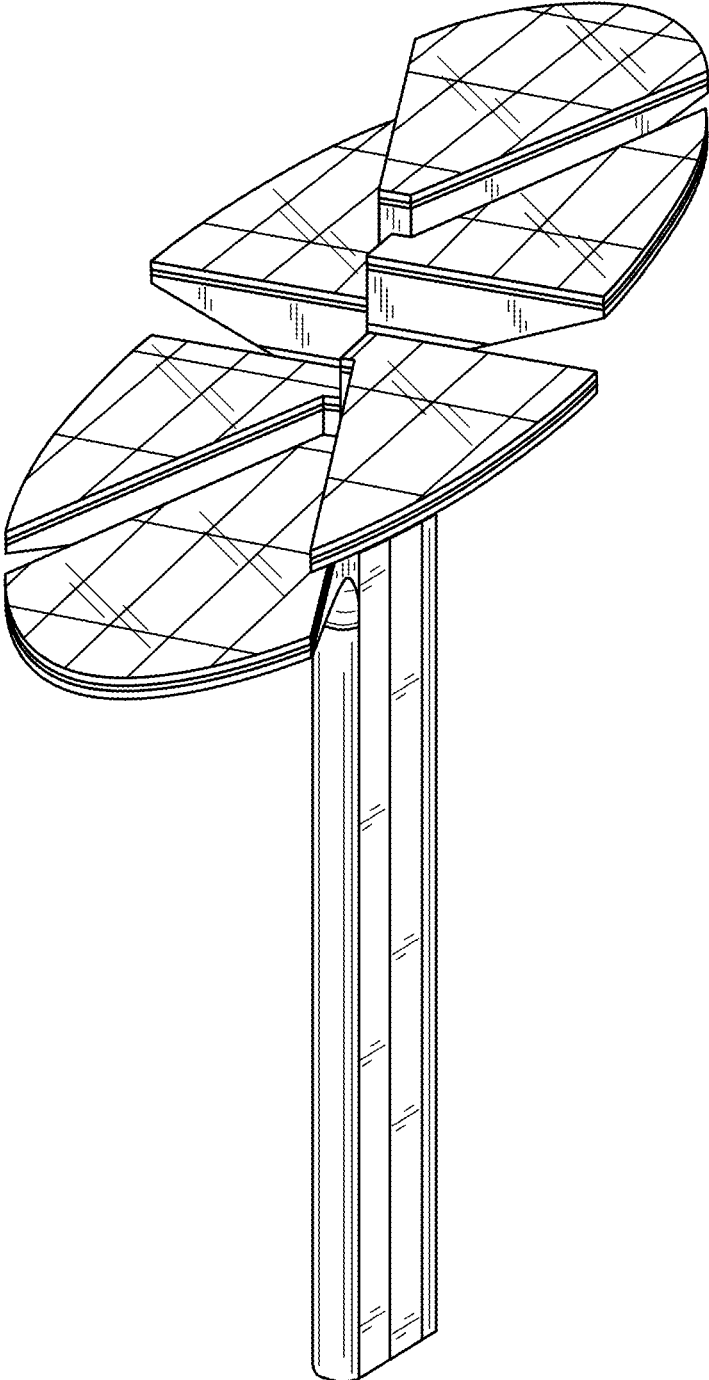


FIG. 8

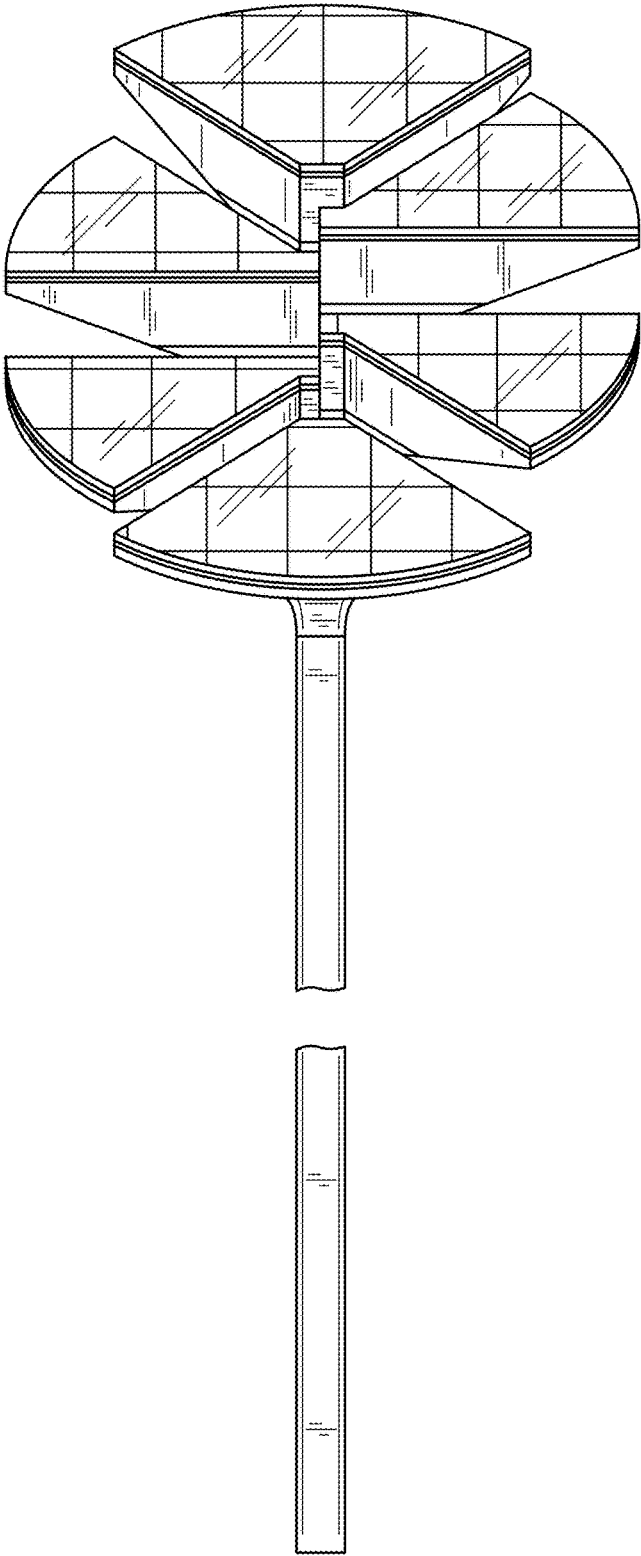


FIG. 9

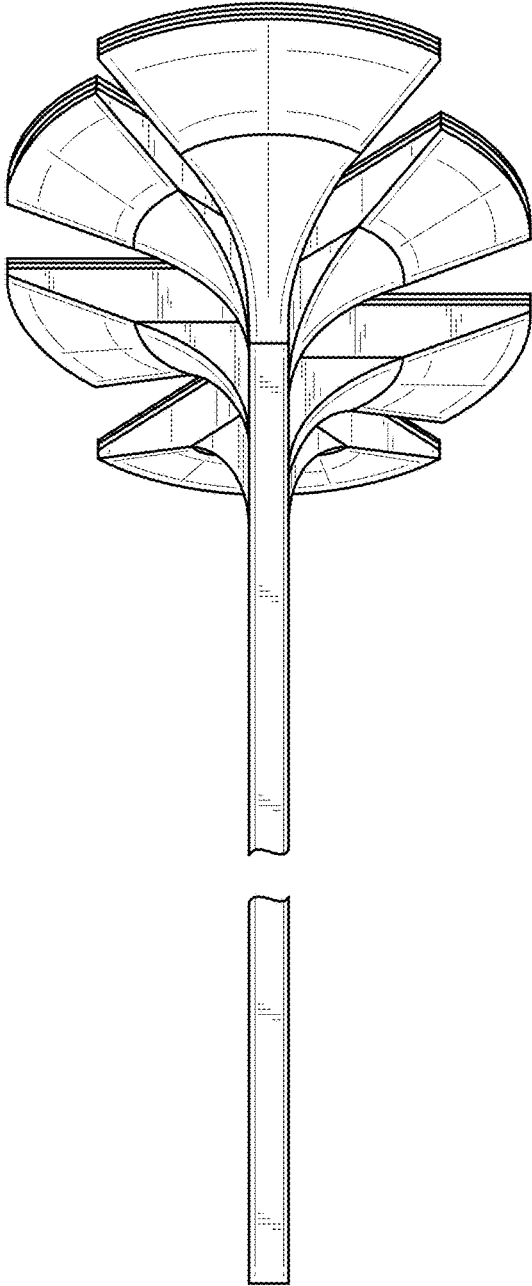


FIG. 10

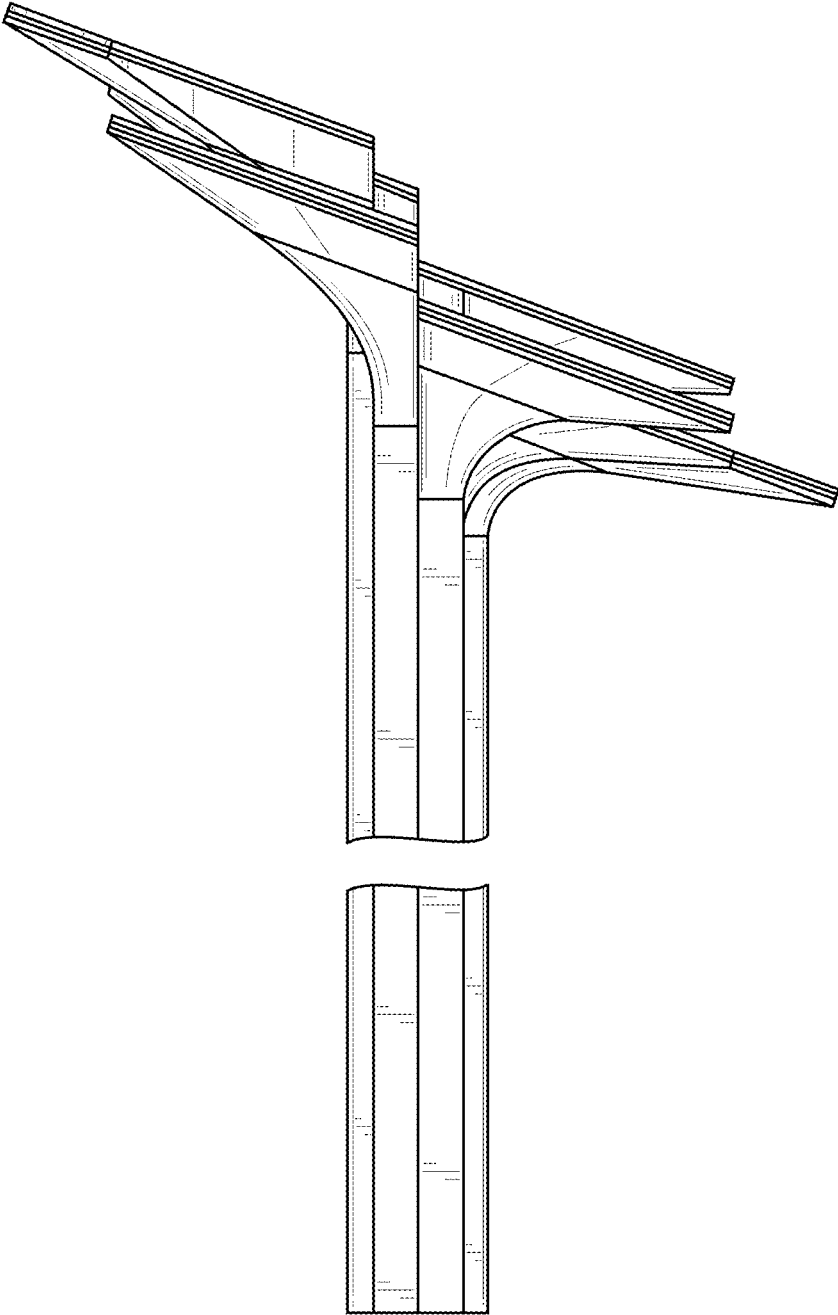


FIG. 11

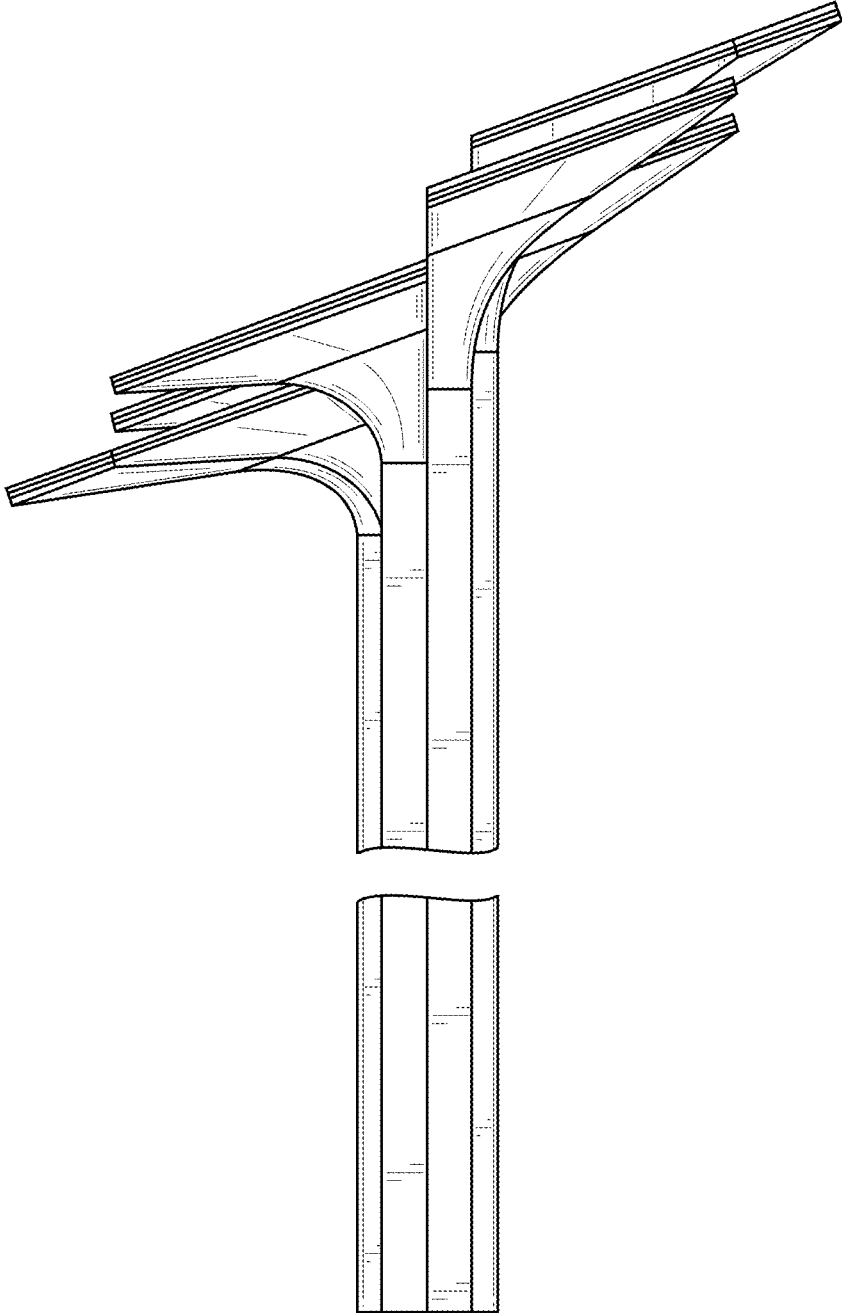


FIG. 12

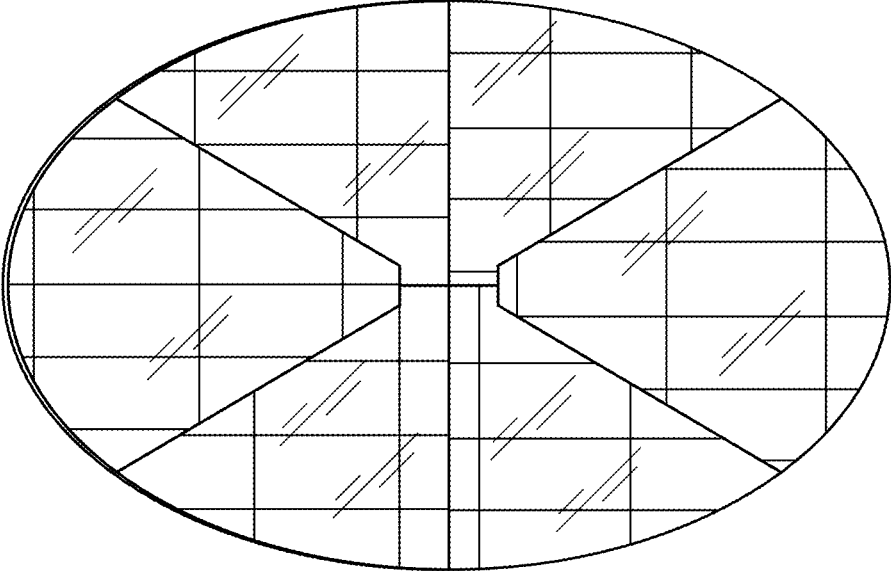


FIG. 13

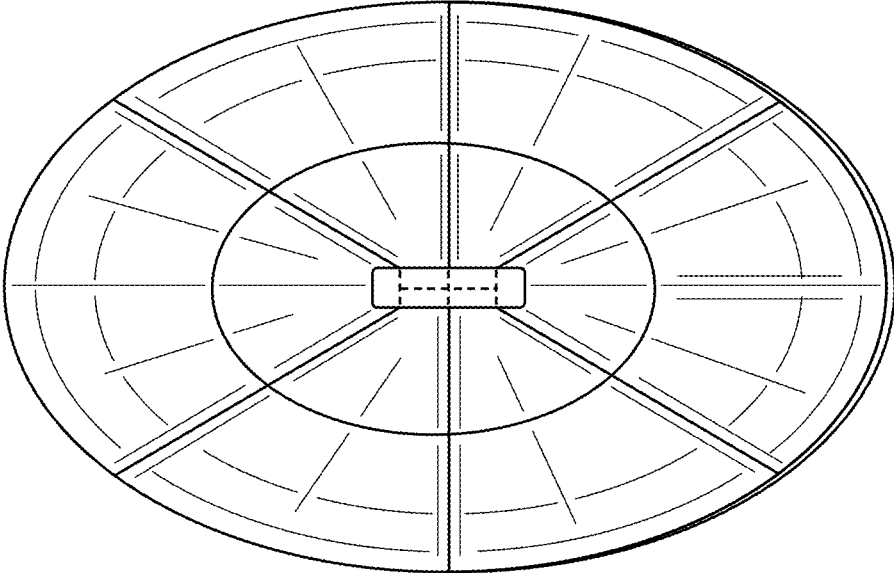


FIG. 14