



US00D548687S

(12) **United States Design Patent**
Okuda et al.

(10) **Patent No.:** **US D548,687 S**

(45) **Date of Patent:** **** Aug. 14, 2007**

(54) **BATTERY CHARGER**

(75) Inventors: **Shinsuke Okuda**, Anjo (JP); **Hideyuki Taga**, Anjo (JP)

(73) Assignee: **Makita Corporation**, Anjo-shi (JP)

(**) Term: **14 Years**

(21) Appl. No.: **29/259,321**

(22) Filed: **May 8, 2006**

(30) **Foreign Application Priority Data**

Dec. 13, 2005 (JP) 2005-036621

(51) **LOC (8) Cl.** **13-02**

(52) **U.S. Cl.** **D13/107**

(58) **Field of Classification Search** D13/107-110,
D13/118-119, 184; D14/251, 253, 432,
D14/434; 320/107-115

See application file for complete search history.

(56) **References Cited**

U.S. PATENT DOCUMENTS

| | | | |
|--------------|---------|----------------------|---------|
| D227,123 S * | 6/1973 | Sato | D13/107 |
| D328,056 S * | 7/1992 | Watanabe et al. | D13/108 |
| D400,499 S * | 11/1998 | Bunyea | D13/107 |
| D404,357 S * | 1/1999 | Foster et al. | D13/108 |
| D414,459 S * | 9/1999 | Oba | D13/107 |
| D442,140 S * | 5/2001 | Kasuya et al. | D13/107 |

| | | | |
|-------------------|--------|---------------------|---------|
| D460,412 S * | 7/2002 | Nawrozki | D13/107 |
| D461,447 S * | 8/2002 | Nawrozki | D13/107 |
| D472,875 S * | 4/2003 | Garvis et al. | D13/107 |
| D487,570 S | 3/2004 | Ito et al. | |
| D505,913 S * | 6/2005 | Kam Lun et al. | D13/107 |
| D508,459 S * | 8/2005 | Yoshida | D13/108 |
| 2007/0069688 A1 * | 3/2007 | Satsuma | 320/110 |

* cited by examiner

Primary Examiner—M. H. Tung

Assistant Examiner—Rosemary K. Tarcza

(74) *Attorney, Agent, or Firm*—Oliff & Berridge, PLC

(57) **CLAIM**

The ornamental design for a battery charger, as shown and described.

DESCRIPTION

FIG. 1 is a perspective view of a battery charger showing our new design;

FIG. 2 is a front elevation view thereof;

FIG. 3 is a rear elevation view thereof;

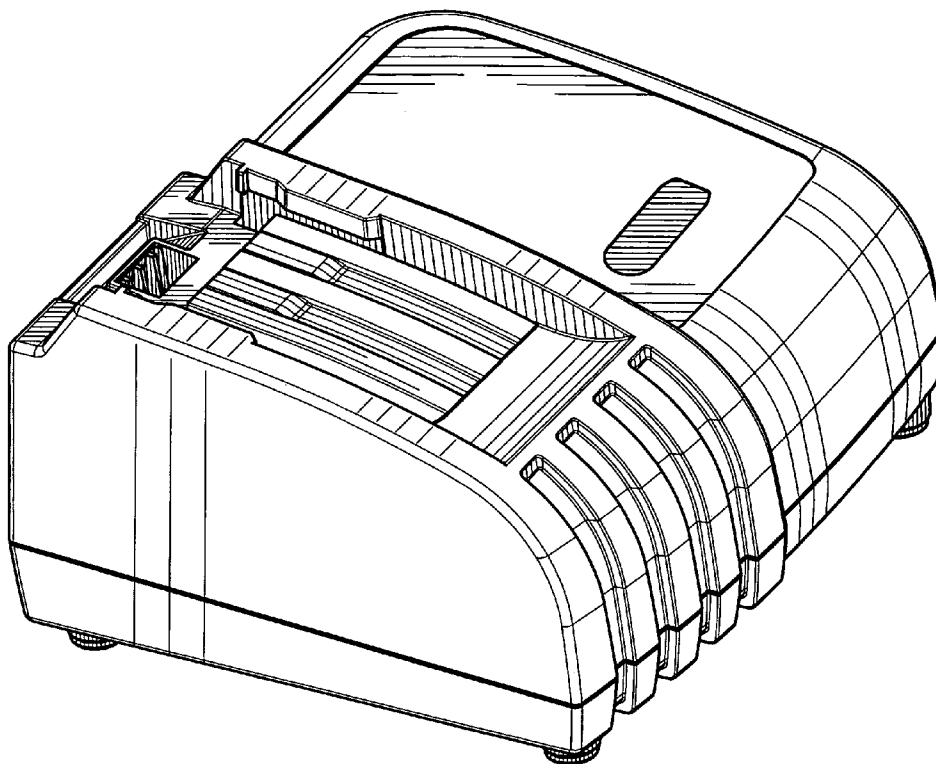
FIG. 4 is a left side elevation view thereof;

FIG. 5 is a right side elevation view thereof;

FIG. 6 is a top plan view thereof; and,

FIG. 7 is a bottom plan view thereof.

1 Claim, 5 Drawing Sheets



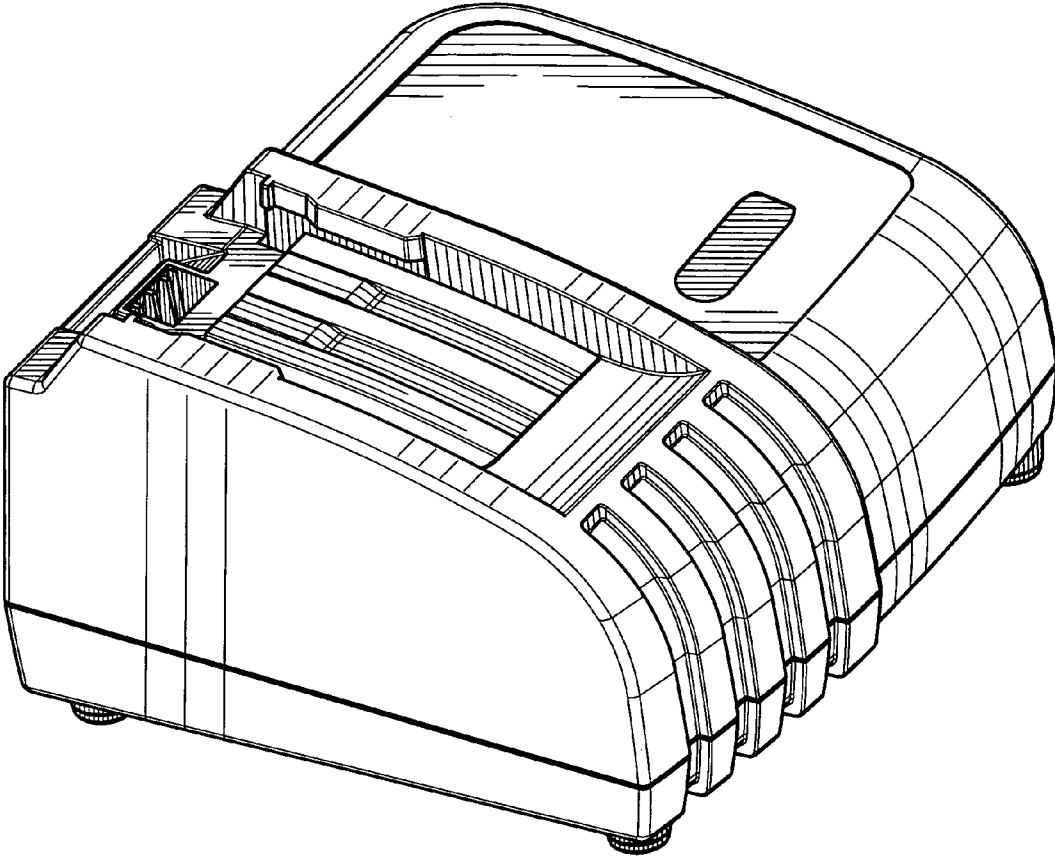


FIG. 1

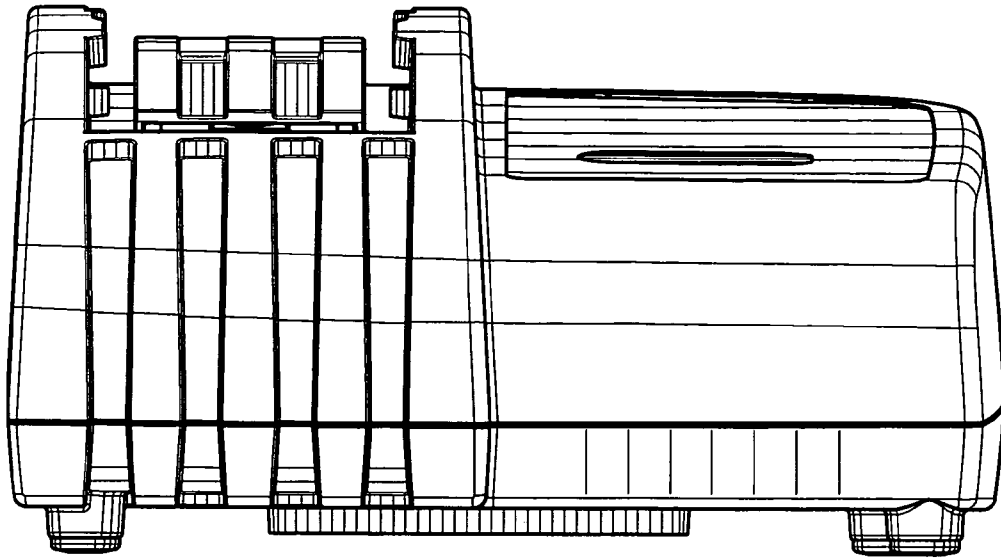


FIG. 2

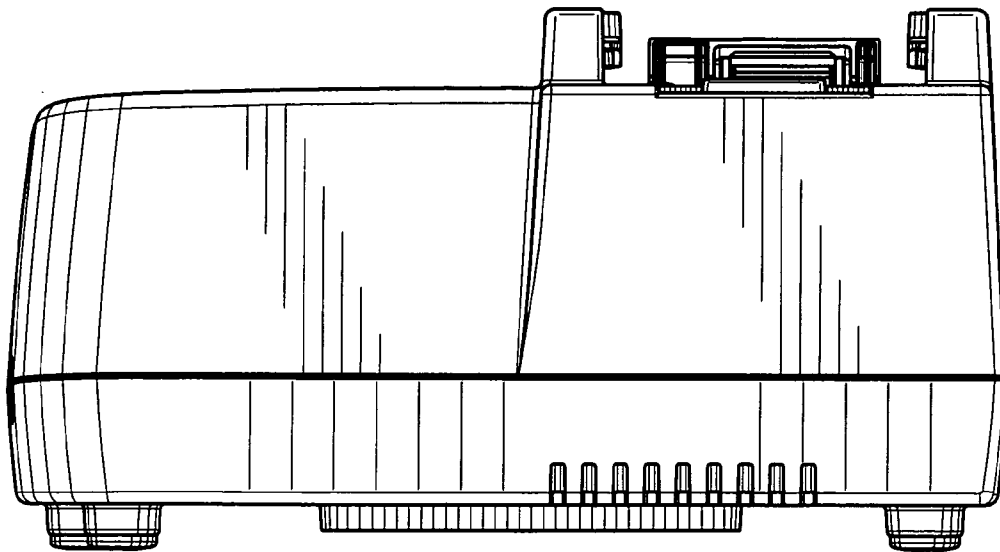


FIG. 3

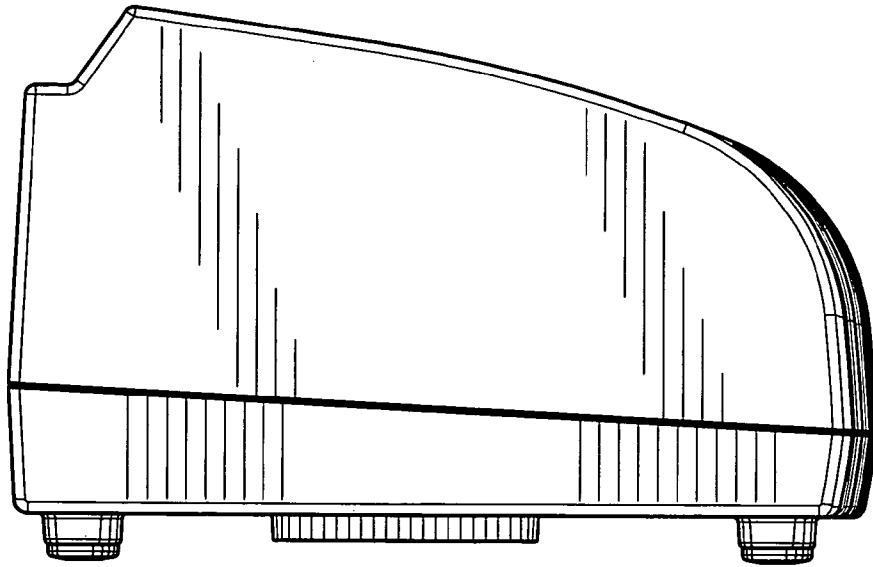


FIG. 4

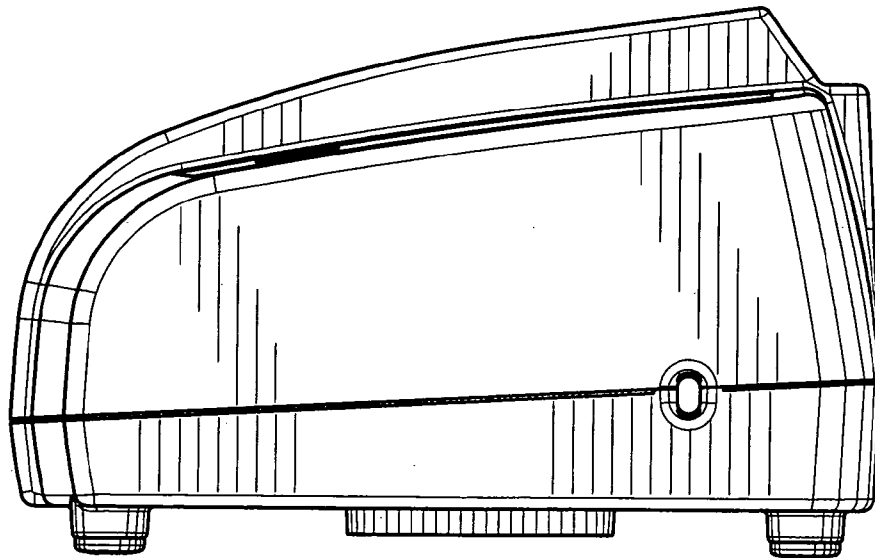


FIG. 5

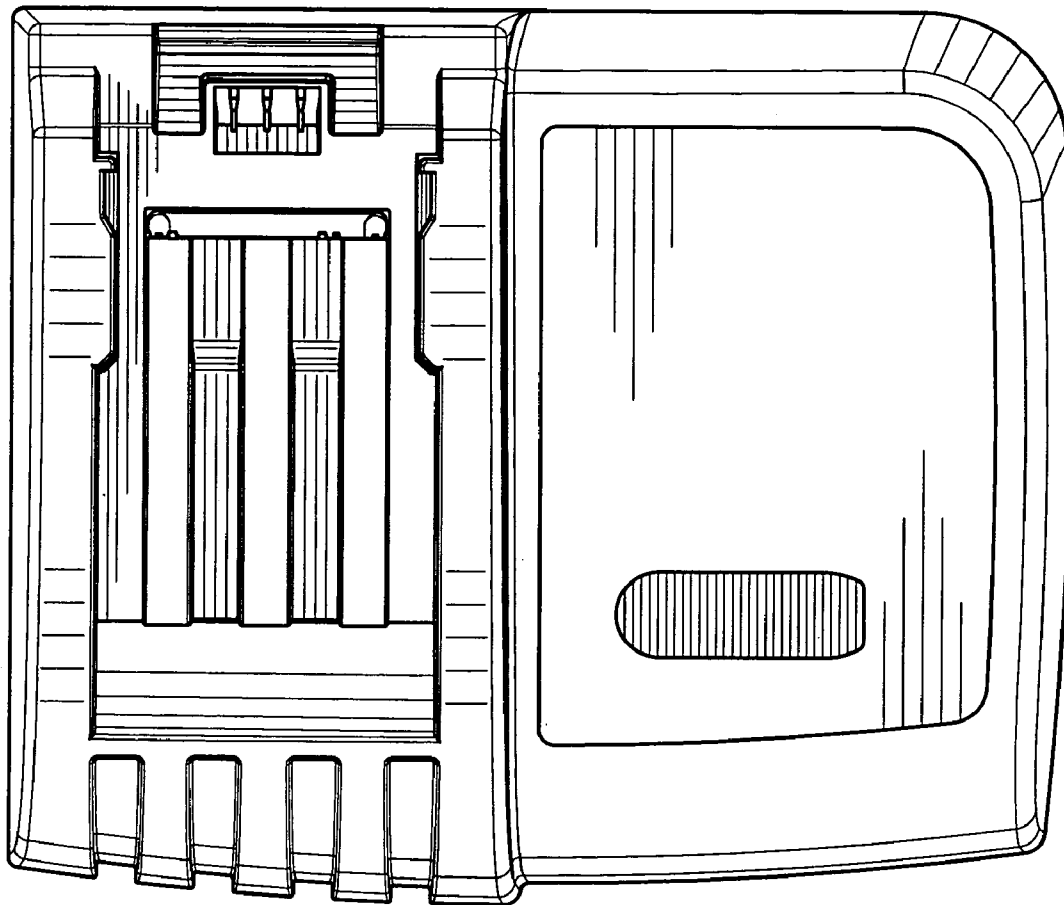


FIG. 6

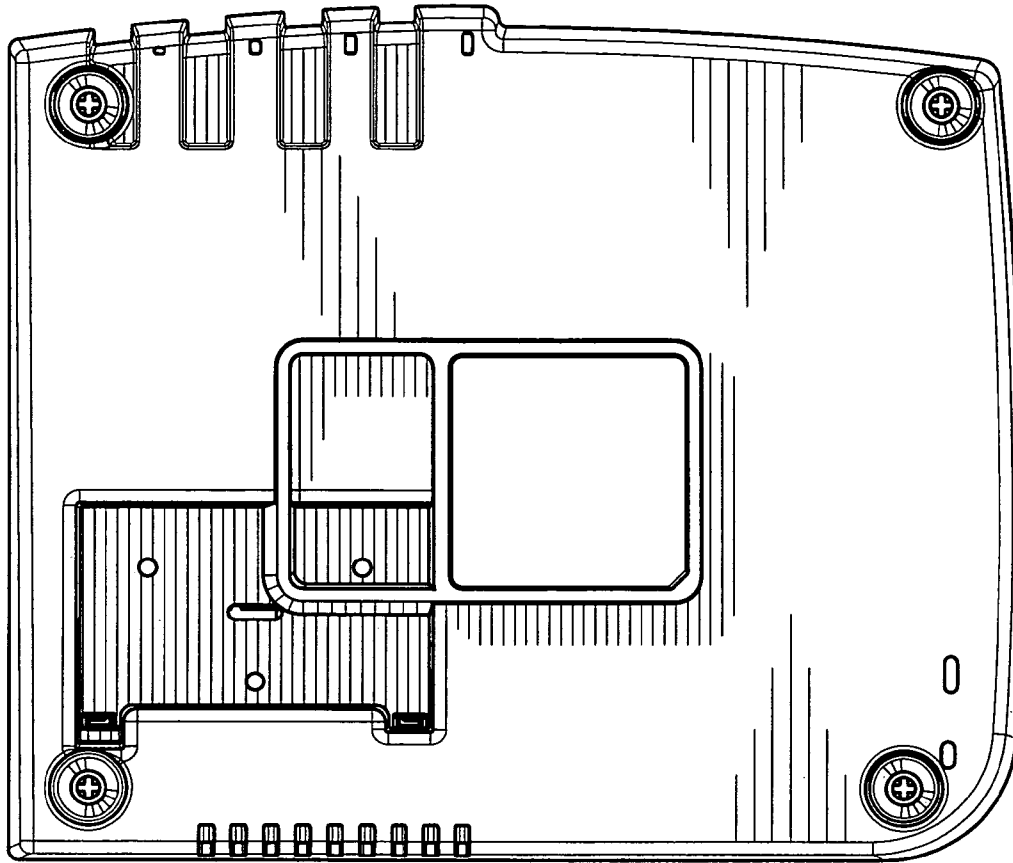


FIG. 7