



US00D557748S

(12) **United States Design Patent**
Jumper

(10) **Patent No.:** **US D557,748 S**

(45) **Date of Patent:** **** Dec. 18, 2007**

(54) **PANEL FOR AN AUDIO-VIDEO DEVICE**

<http://www.rock-ola.com/harley-d.htm>, Jul. 14, 2004.

(75) Inventor: **Daniel Jumper**, Anaheim, CA (US)

<http://www.rock-ola.com/peacock/htm>, Jul. 14, 2004.

(73) Assignee: **Rock-Ola Manufacturing Corp.**,
Torrance, CA (US)

* cited by examiner

(**) Term: **14 Years**

Primary Examiner—Prabhakar Deshmukh
(74) *Attorney, Agent, or Firm*—SoCal IP Law Group LLP;
Steven C. Sereboff; John Edward Gunther

(21) Appl. No.: **29/215,163**

(57) **CLAIM**

(22) Filed: **Oct. 13, 2004**

The ornamental design for a panel for an audio-video device,
as shown and described.

(51) **LOC (8) Cl.** **21-01**

(52) **U.S. Cl.** **D21/333; D21/385; D14/217**

(58) **Field of Classification Search** D21/324–328,
D21/333, 369, 385; 273/138.1, 139, 148 R,
273/148 B; D14/188–198, 217, 219, 224,
D14/265

See application file for complete search history.

DESCRIPTION

(56) **References Cited**

U.S. PATENT DOCUMENTS

D67,380 S *	5/1925	Watters	D14/194
D84,309 S *	6/1931	Thompson	D14/194
D318,668 S *	7/1991	Hervatin	D14/168
5,397,125 A *	3/1995	Adams	463/20
D397,161 S *	8/1998	Hanscom et al.	D21/369
D404,077 S *	1/1999	Dickenson et al.	D21/369
D410,256 S *	5/1999	Uehara et al.	D21/327
D428,935 S *	8/2000	Thomas	D21/325
6,347,996 B1 *	2/2002	Gilmore et al.	463/17
D459,403 S *	6/2002	Lynch	D21/369
D490,478 S *	5/2004	McGahn et al.	D21/369
D521,074 S *	5/2006	Hirato et al.	D21/327
7,063,370 B2 *	6/2006	Schmidt et al.	296/70

OTHER PUBLICATIONS

<http://www.rock-ola.com/cd8.htm>, Jul. 14, 2004.

<http://www.rock-ola.com/gazelle.htm>, Jul. 14, 2004.

A portion of this patent document contains material which is subject to copyright protection. This patent document may show and/or describe matter which is or may become trade dress of the owner. The copyright and trade dress owner has no objection to the facsimile reproduction by any one of the patent disclosure as it appears in the Patent and Trademark Office patent files or records, but otherwise reserves all copyright and trade dress rights whatsoever.

FIG. 1 is a front perspective view of a panel for an audio-video device showing my new design;

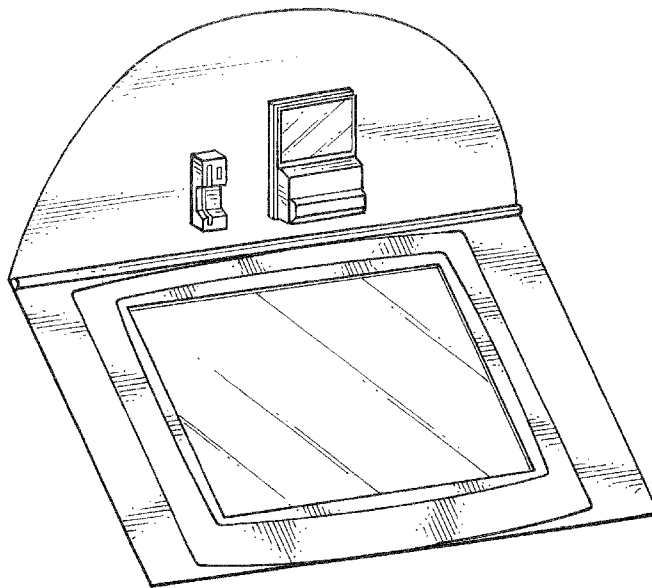
FIG. 2 is a front perspective view thereof, shown in it's environmental use;

FIG. 3 is a front elevational view thereof; and,

FIG. 4 is a front elevational view thereof, shown in it's another environmental use.

The broken lines environmental are for illustrative purpose only and form no part of the claimed design.

1 Claim, 4 Drawing Sheets



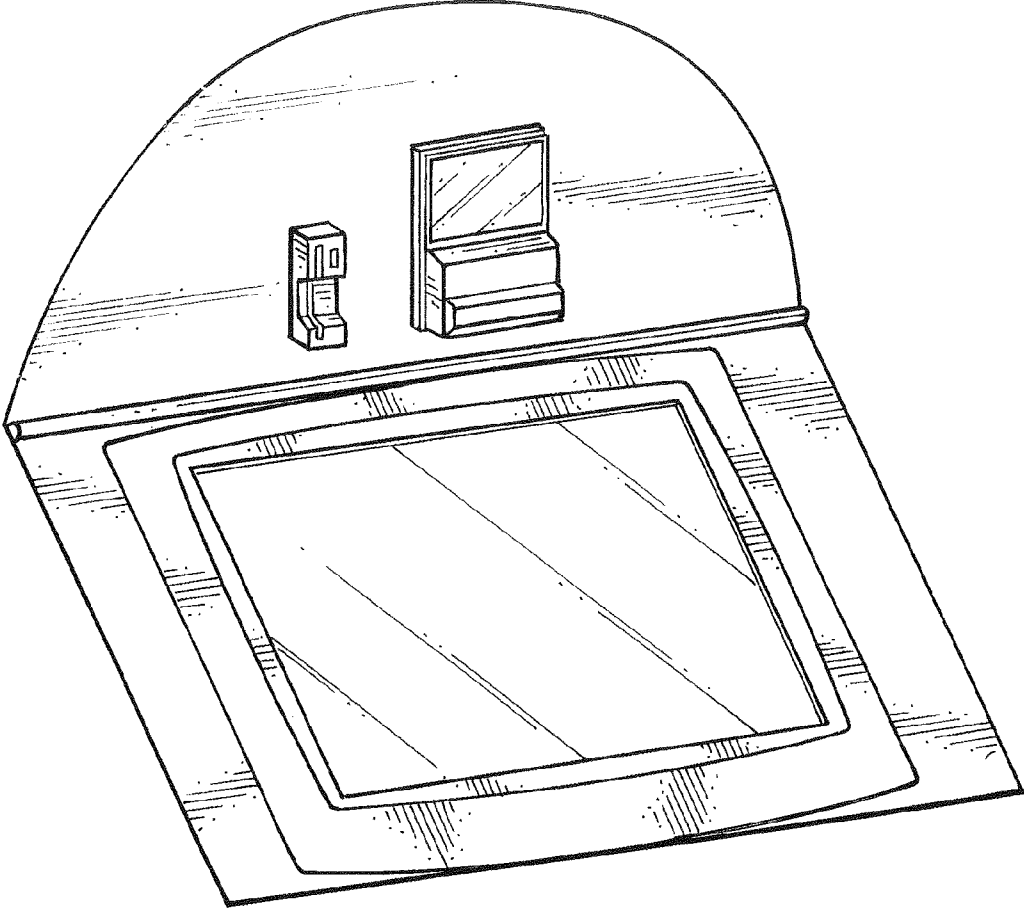


FIG. 1

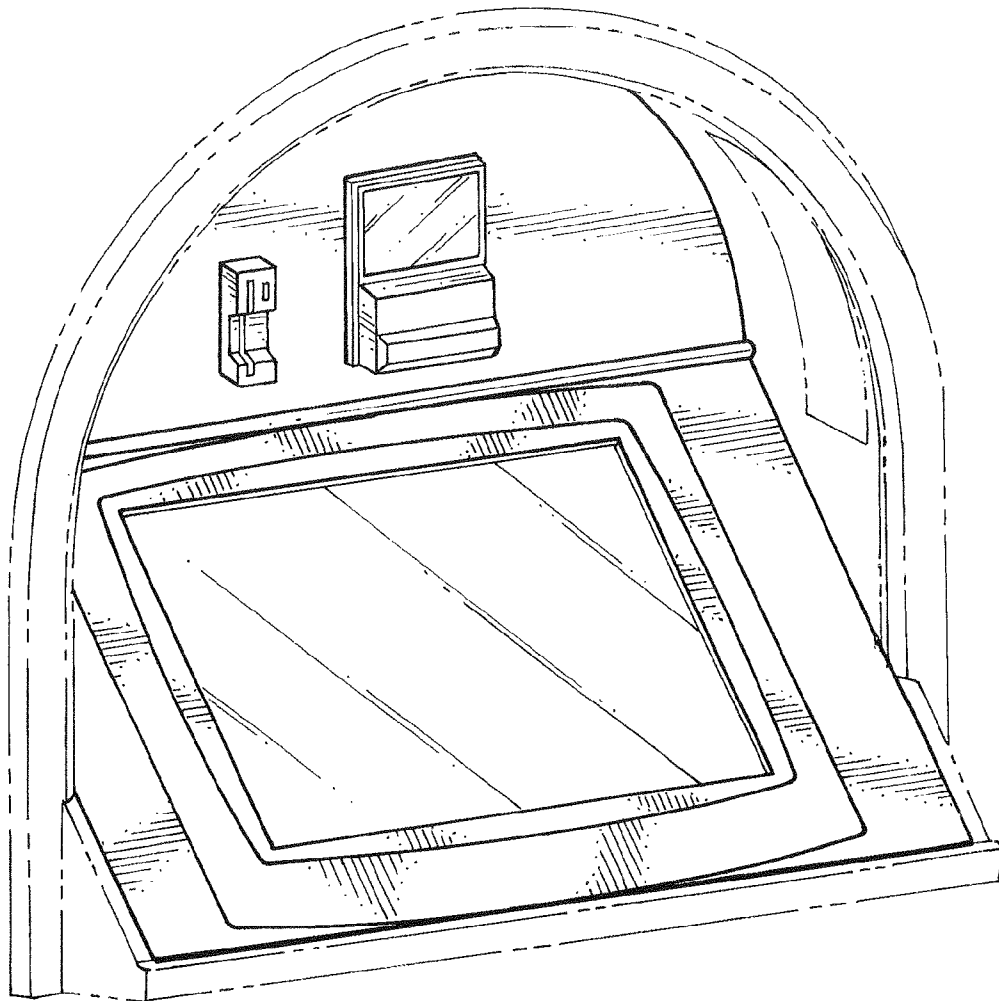


FIG. 2

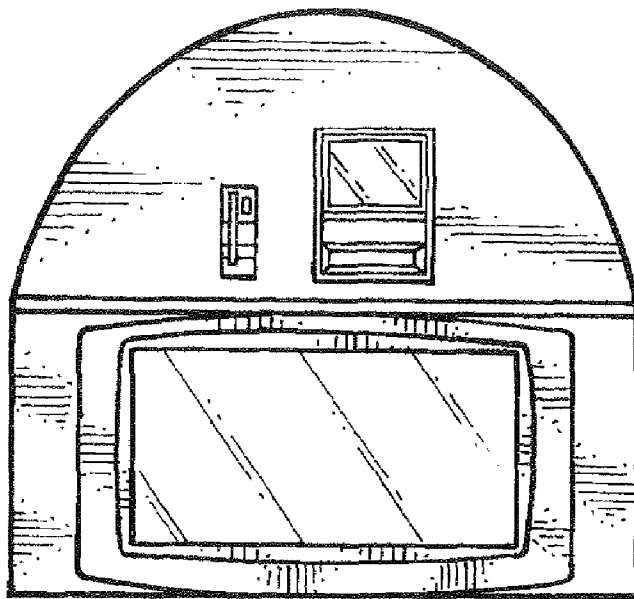


FIG. 3

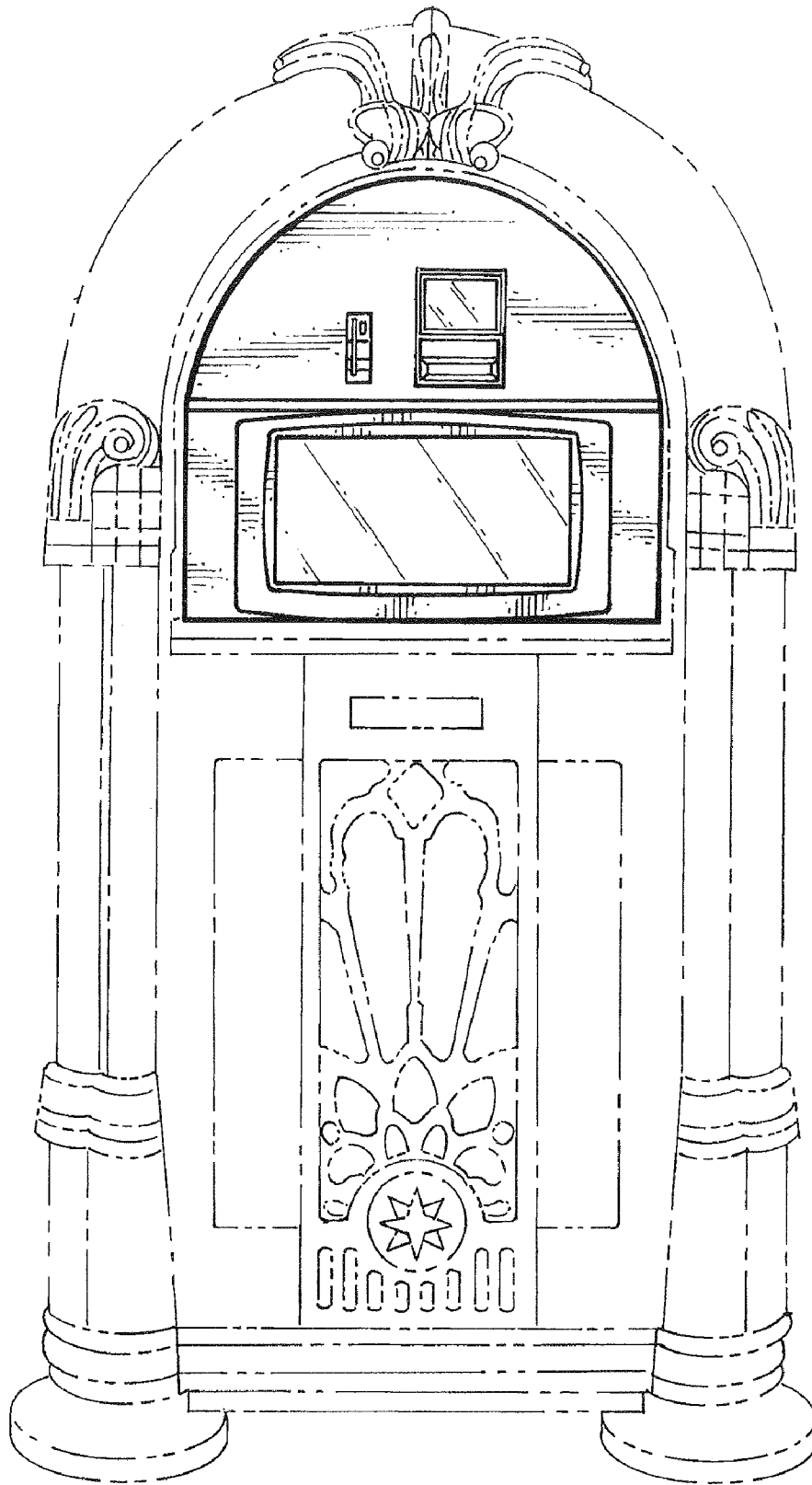


FIG. 4