



US00D891489S

(12) **United States Design Patent** (10) **Patent No.:** **US D891,489 S**  
**Kim et al.** (45) **Date of Patent:** **\*\* Jul. 28, 2020**

(54) **REFRIGERATOR**  
(71) Applicant: **LG ELECTRONICS INC.**, Seoul (KR)  
(72) Inventors: **Sanghun Kim**, Seoul (KR); **Yong Kim**, Seoul (KR); **Jinhee Park**, Seoul (KR); **Daesung Lee**, Seoul (KR); **Kyukwan Choi**, Seoul (KR)  
(73) Assignee: **LG Electronics Inc.**, Seoul (KR)  
(\*\*) Term: **15 Years**  
(21) Appl. No.: **35/506,508**  
(22) Filed: **Aug. 14, 2018**

(80) **Hague Agreement Data**  
Int. Filing Date: **Aug. 14, 2018**  
Int. Reg. No.: **DM/102655**  
Int. Reg. Date: **Aug. 14, 2018**  
Int. Reg. Pub. Date: **Feb. 15, 2019**

(30) **Foreign Application Priority Data**  
Feb. 14, 2018 (KR) ..... 30-2018-0008165

(51) **LOC (12) Cl.** ..... **15-07**  
(52) **U.S. Cl.**  
USPC ..... **D15/90**

(58) **Field of Classification Search**  
USPC ..... D15/79-91  
CPC ..... F25D 25/025; F25D 23/028; F25D 2323/024; F25D 23/00; F25D 23/02; F25D 2323/021; F25D 23/065; F25D 11/00; F25D 2201/14; F25D 23/021; F25D 23/025; F25D 23/04; F25D 27/00; F25D 23/062; F25D

(Continued)

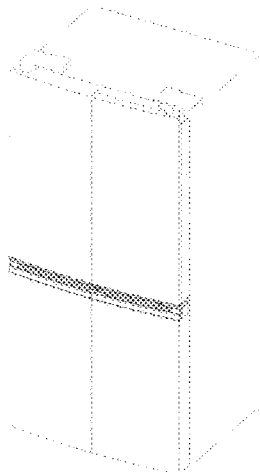
(56) **References Cited**  
U.S. PATENT DOCUMENTS  
D615,565 S \* 5/2010 Kristiansen ..... D15/86  
D629,022 S \* 12/2010 Cho ..... D15/85  
(Continued)  
*Primary Examiner* — Richard E Chilcot  
(74) *Attorney, Agent, or Firm* — Birch, Stewart, Kolasch & Birch, LLP

(57) **CLAIM**  
The ornamental design for a refrigerator, as shown and described.

**DESCRIPTION**  
1. Refrigerator  
1.1 : Perspective  
1.2 : Perspective view 2  
1.3 : Perspective view 3  
1.4 : Perspective view 4  
1.5 : Front  
1.6 : Back  
1.7 : Left  
1.8 : Right  
1.9 : Top  
1.10 : Bottom  
1.11 : Perspective view 5  
1.12 : Perspective view 6

The broken lines depict portions of the refrigerator that form no part of the claimed design; the dash-dot broken lines define the boundary of the claimed design and form no part thereof; reproduction 1.1 is a top right perspective view of the refrigerator; reproduction 1.2 is a top left perspective view thereof; reproduction 1.3 is a bottom right perspective view thereof; reproduction 1.4 is a bottom left perspective view thereof; reproductions 1.5 to 1.10 are the front, back, left, right, top and bottom views thereof; reproduction 1.11 is a perspective view showing the handle at the lower part of

(Continued)



the refrigerator by removing the upper part of the refrigerator; reproduction 1.12 is a perspective view showing the handle at the upper part of the refrigerator by removing the lower part of the refrigerator; this design is for refrigerator having recessed shape handles, and the inside of the handle at the lower part is transparent.

**1 Claim, 12 Drawing Sheets**

(52) **U.S. Cl.**

CPC ..... *F25D 25/025* (2013.01)

(58) **Field of Classification Search**

CPC .... 23/067; F25D 2400/18; F25D 23/08; F25D 23/085; F25D 2500/02; F25D 25/00; F25D 25/005; F25D 25/022; F25D 25/024; F25D 17/047; F25D 2317/041; F25D 2317/04131; F25D 2317/043; F25D

2317/0664; F25D 2321/147; F25D 2323/02; F25D 2323/023

See application file for complete search history.

(56)

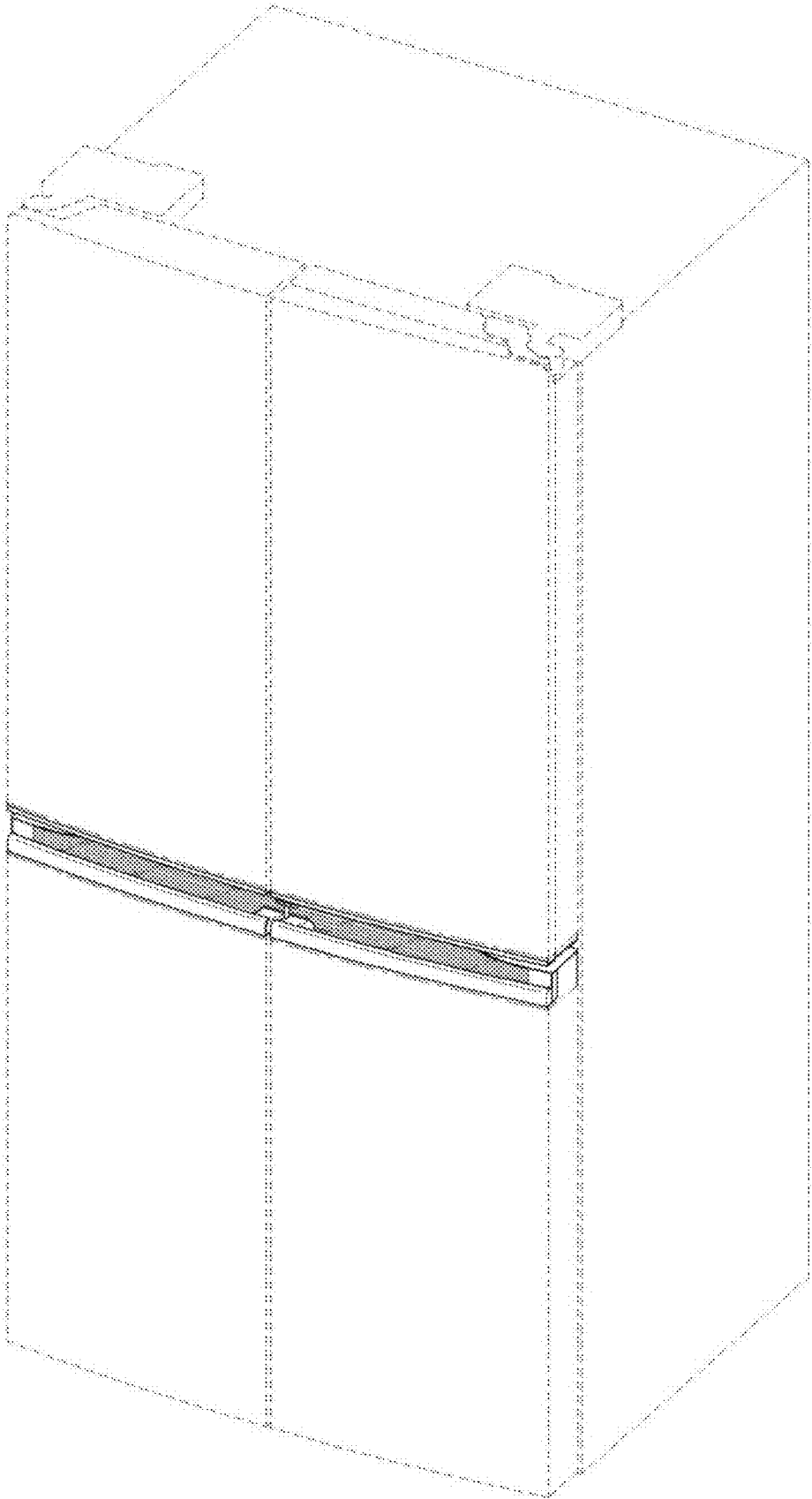
**References Cited**

U.S. PATENT DOCUMENTS

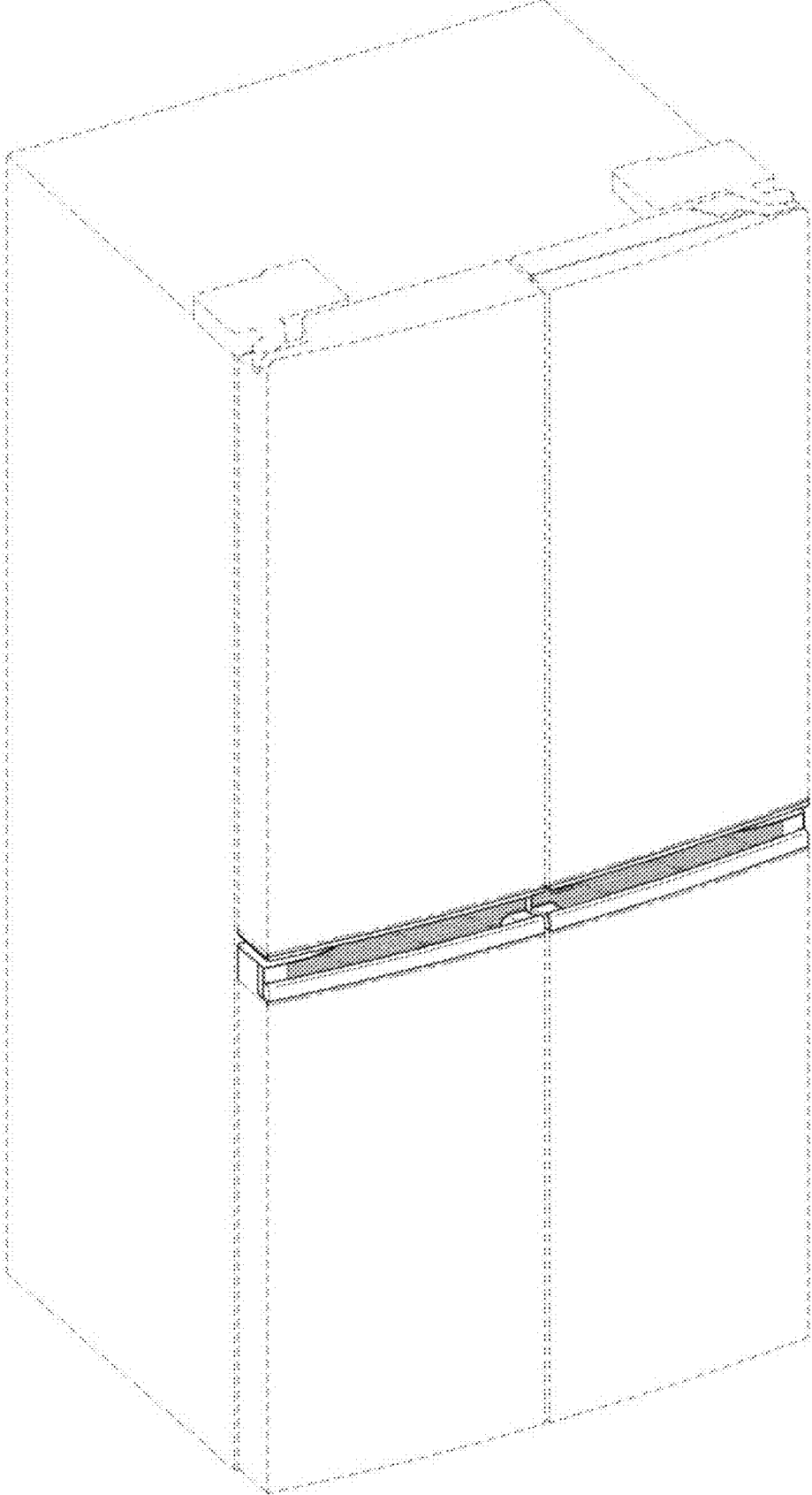
D656,967	S	*	4/2012	Yi	.....	D15/86
D673,189	S	*	12/2012	Kwak	.....	D15/86
D681,075	S	*	4/2013	Yi	.....	D15/86
D691,644	S	*	10/2013	Cho	.....	D15/86
D701,539	S	*	3/2014	Saejin	.....	D15/85
D702,739	S	*	4/2014	Kim	.....	D15/86
D724,629	S	*	3/2015	Choi	.....	D15/85
D729,286	S	*	5/2015	Kwak	.....	D15/85
D732,584	S	*	6/2015	Sin	.....	D15/86
D742,434	S	*	11/2015	Yeo	.....	D15/86
D767,648	S	*	9/2016	Shoemaker	.....	D15/86
D826,998	S	*	8/2018	Lee	.....	D15/91

\* cited by examiner

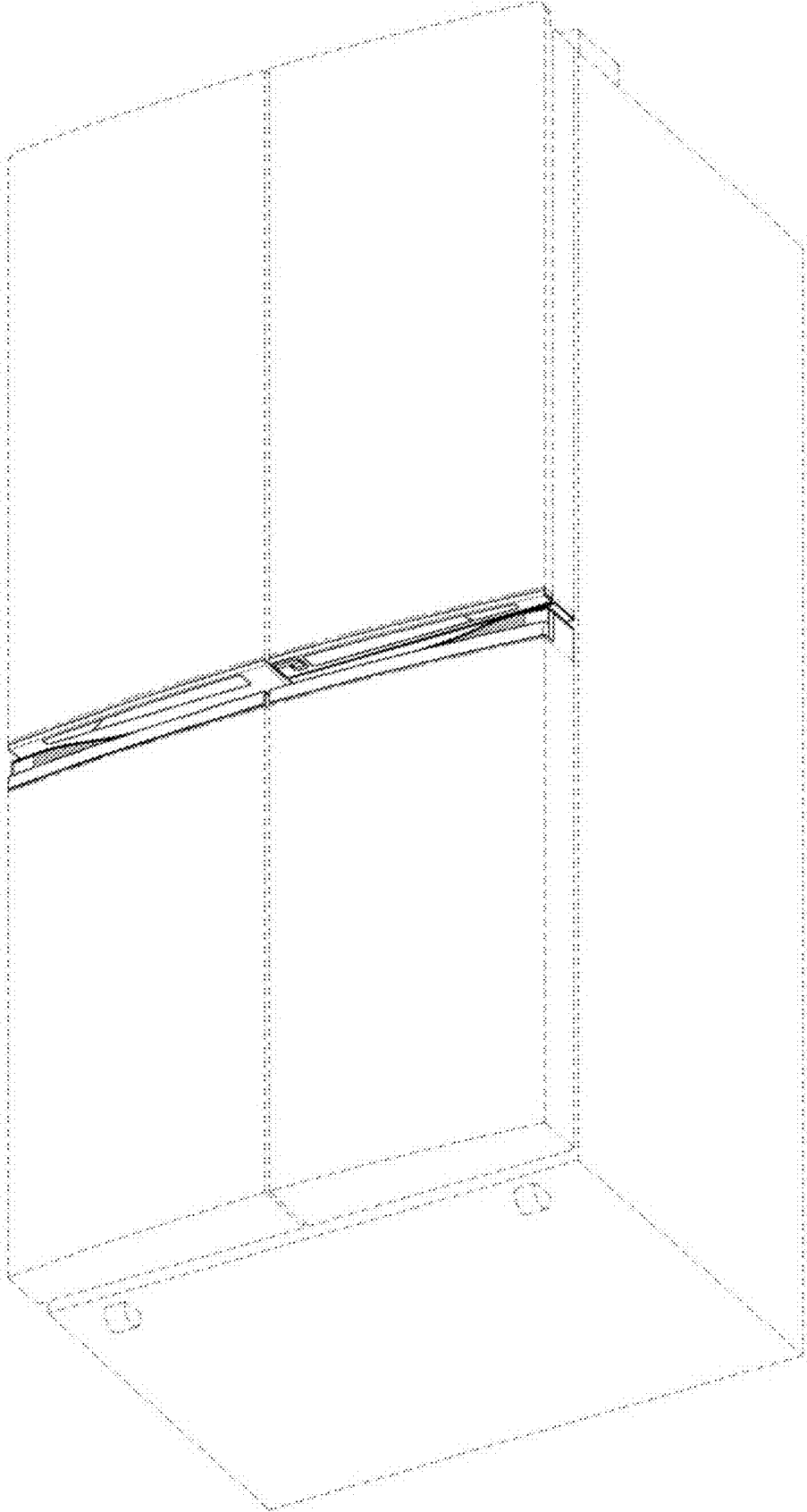
1.1



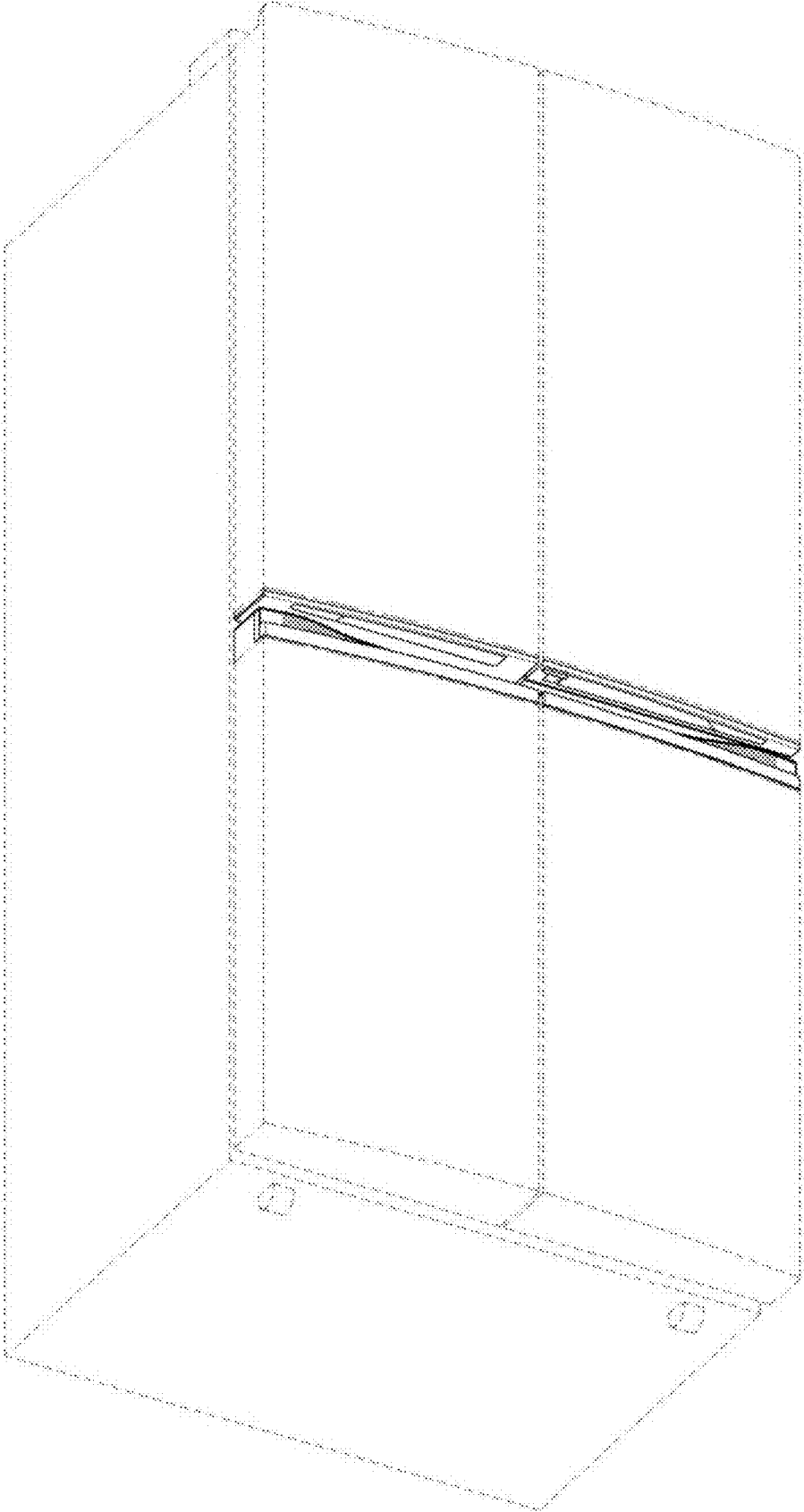
1.2



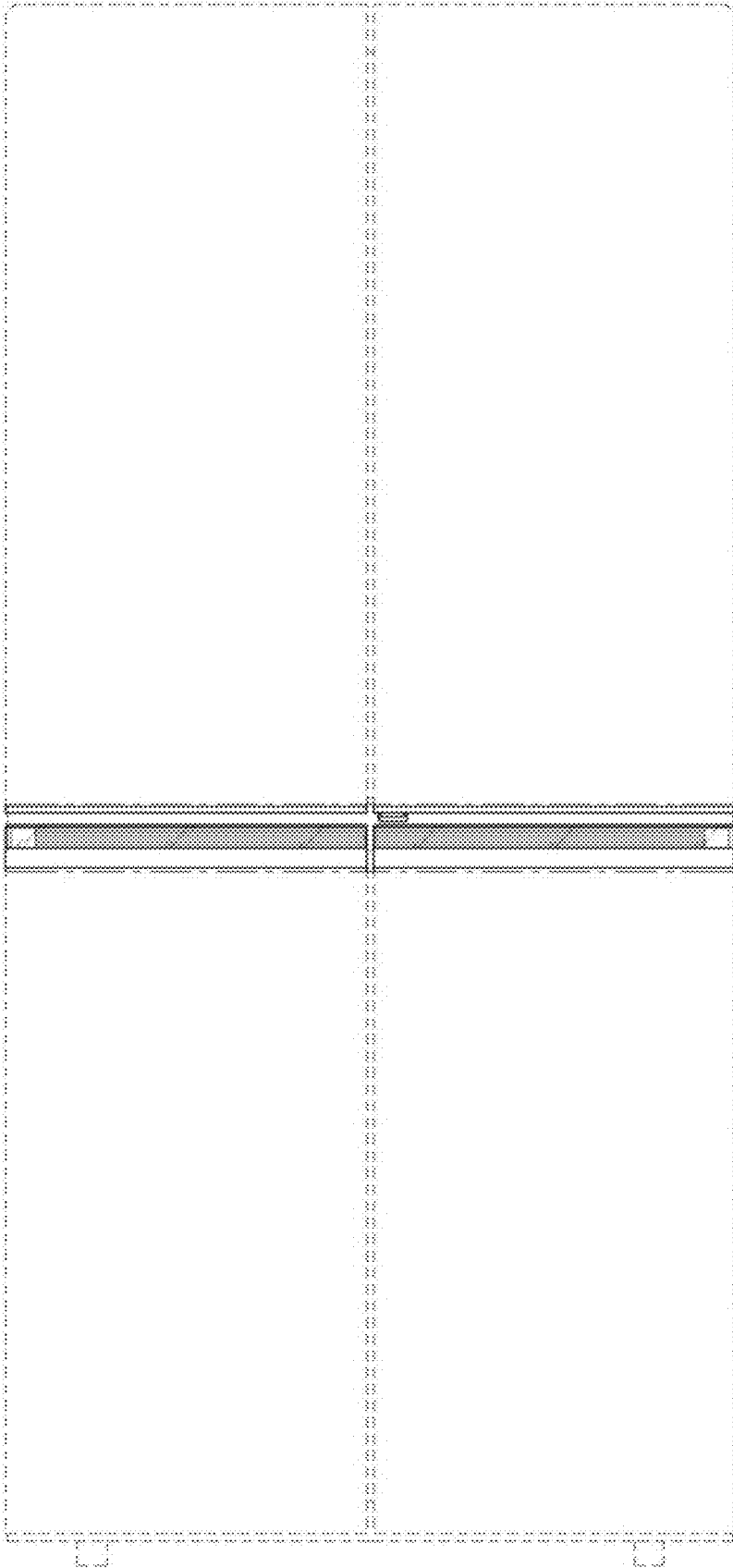
1.3



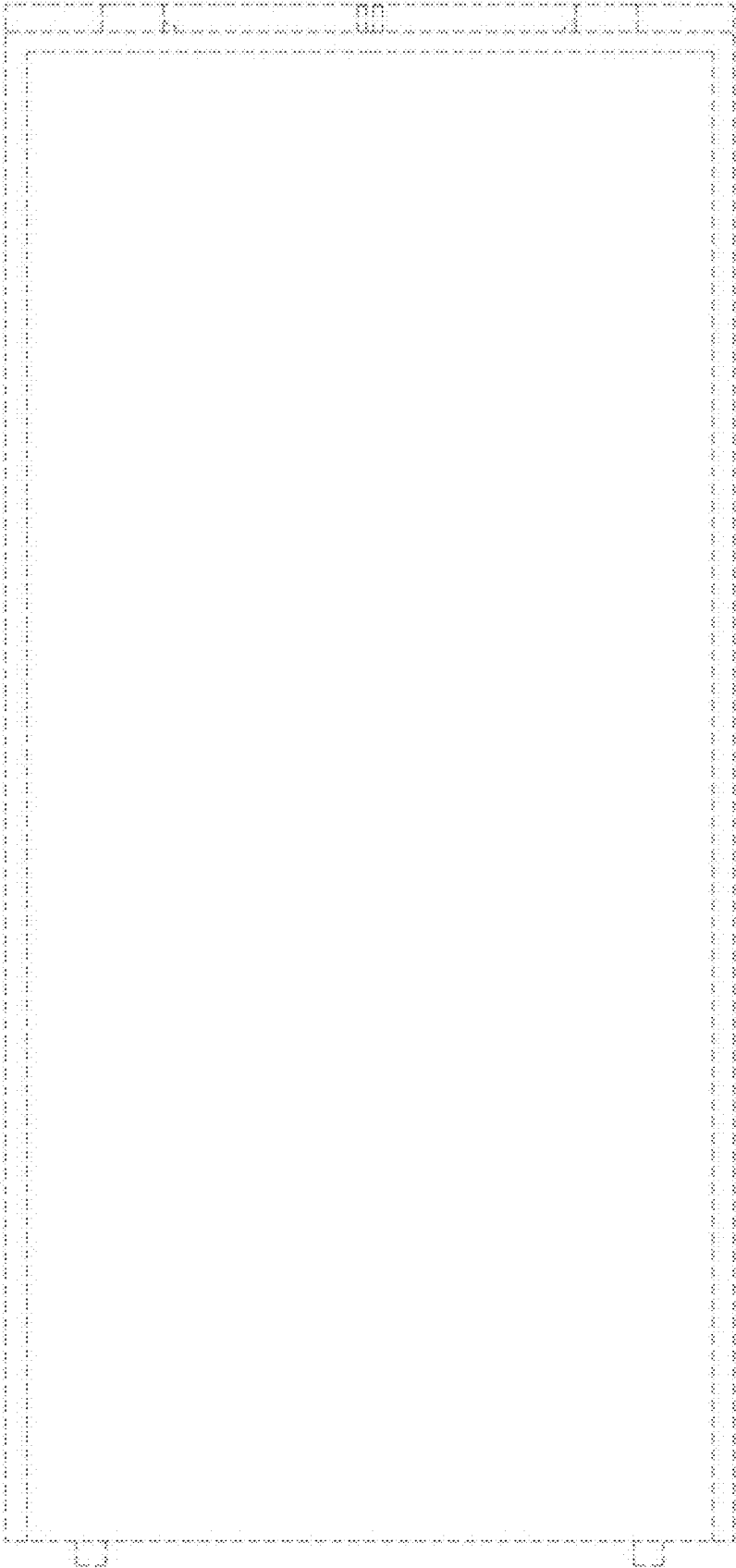
1.4



1.5

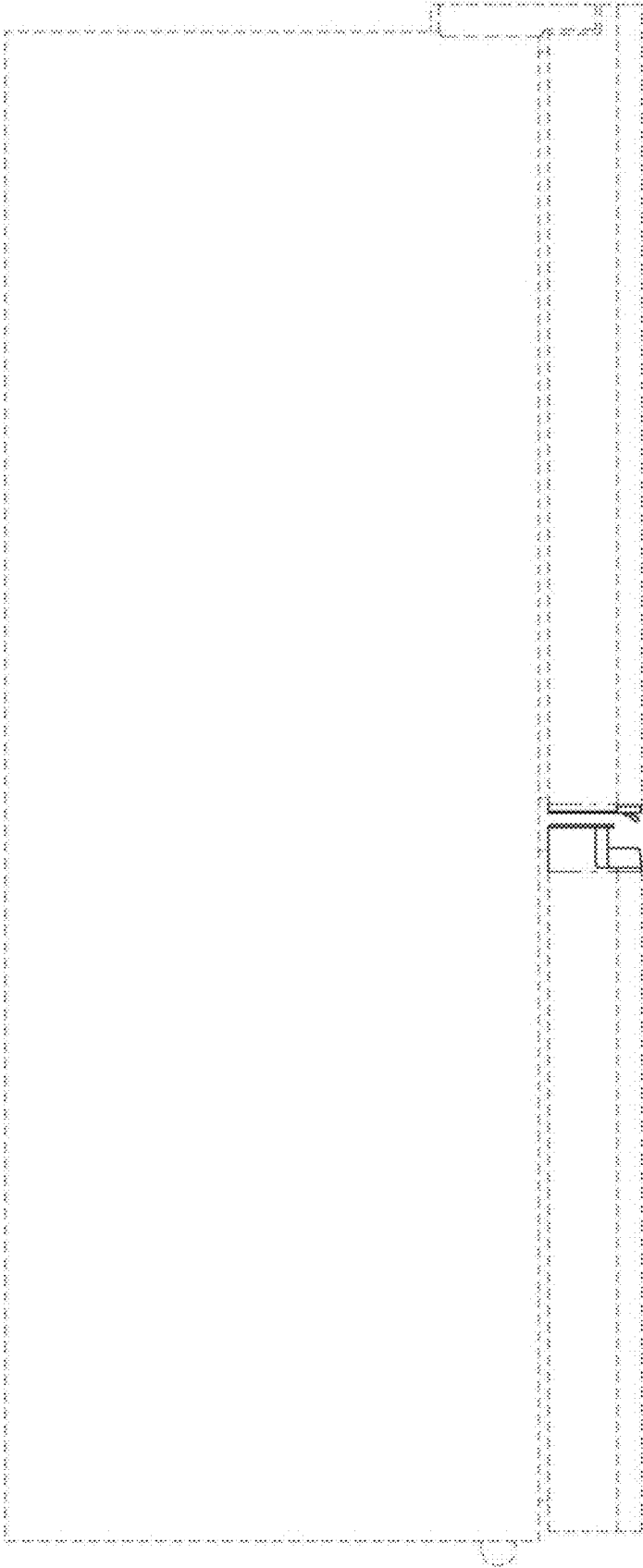


1.6

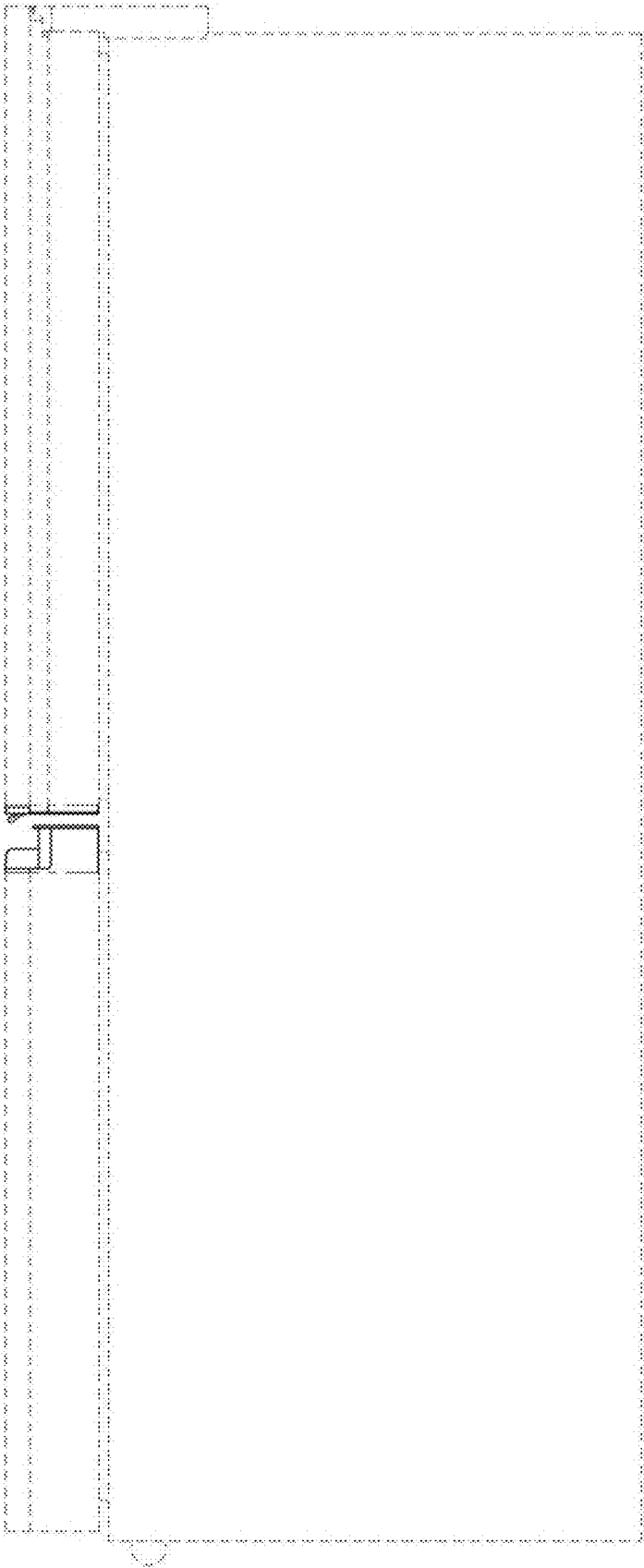




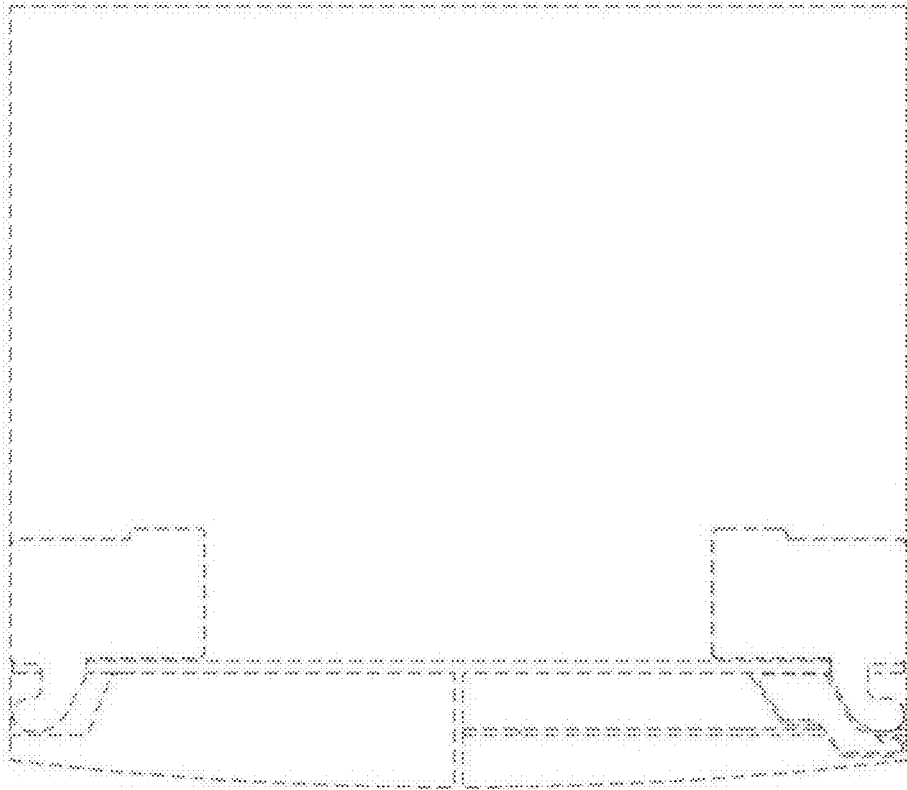
1.7



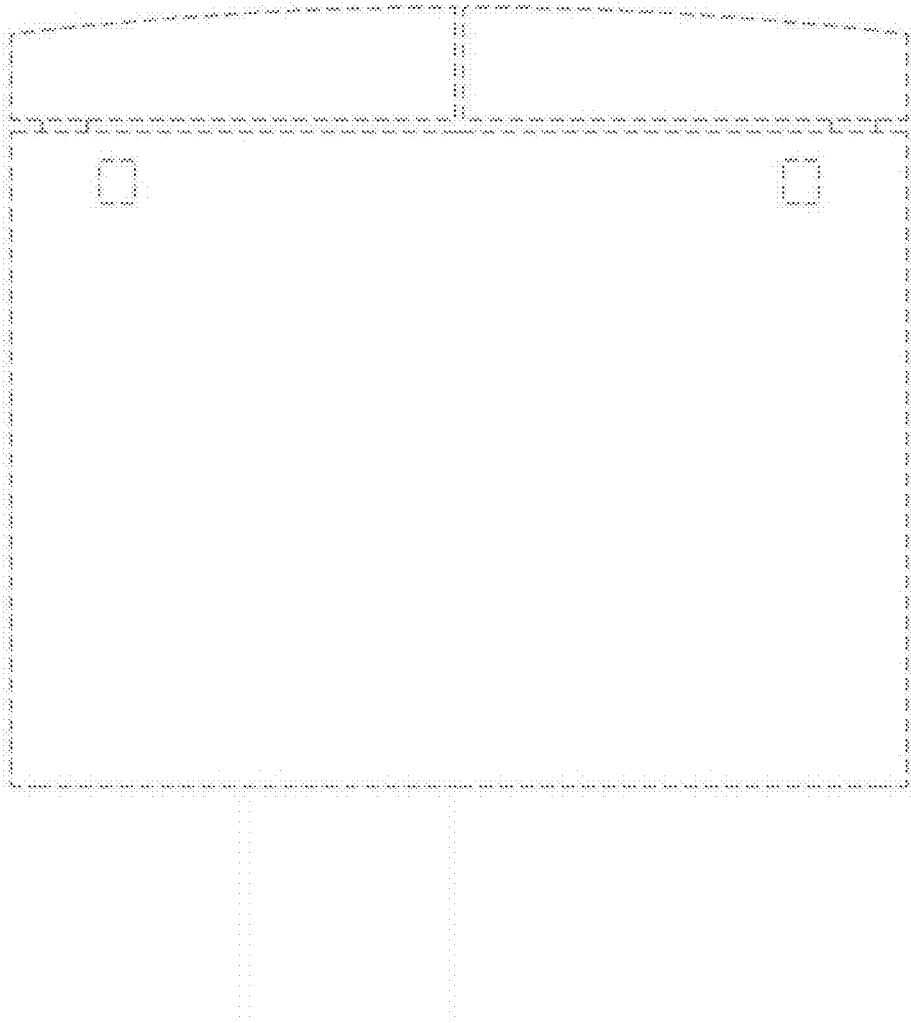
1.8



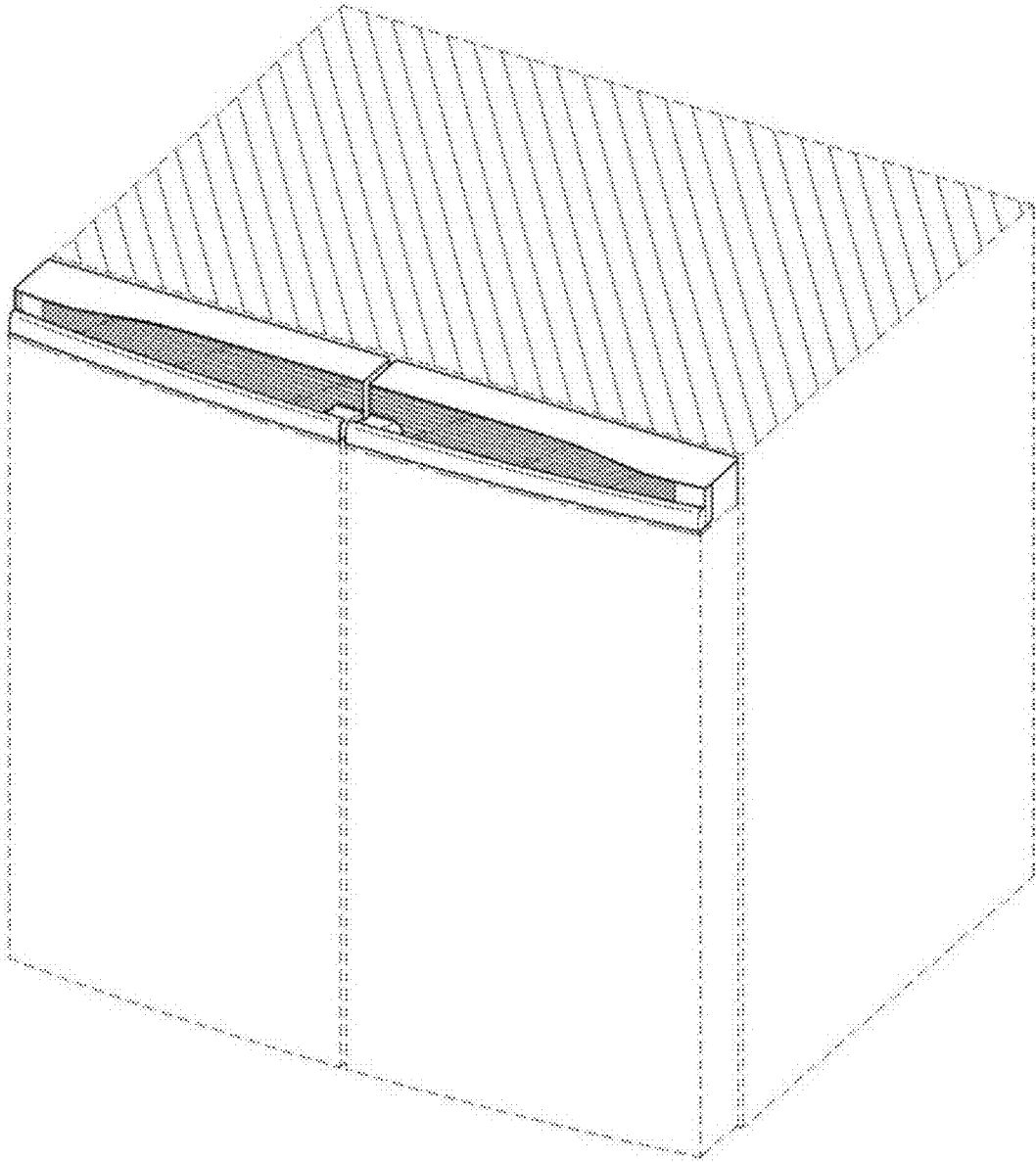
1.9



1.10



1.11



1.12

