



US00D983736S

(12) **United States Design Patent**
Cheng

(10) **Patent No.:** **US D983,736 S**

(45) **Date of Patent:** **** *Apr. 18, 2023**

- (54) **BATTERY**
- (71) Applicant: **Ninebot (Beijing) Tech Co., Ltd.**,
Beijing (CN)
- (72) Inventor: **Peng Cheng**, Beijing (CN)
- (*) Notice: This patent is subject to a terminal disclaimer.
- (**) Term: **15 Years**
- (21) Appl. No.: **35/510,982**
- (22) Filed: **Jun. 12, 2020**

D755,122 S *	5/2016	Gecawicz	D13/107
D782,412 S *	3/2017	Kim	D13/108
D804,414 S *	12/2017	Tang	D13/108
D810,014 S *	2/2018	Haranaka	D13/108
D818,433 S *	5/2018	Ebrahimi Afrouzi	D13/108
D818,951 S *	5/2018	Ebrahimi Afrouzi	D13/108
D849,682 S *	5/2019	Dou	D13/108

(Continued)

Primary Examiner — Rhea Shields

- (80) **Hague Agreement Data**
Int. Filing Date: **Jun. 12, 2020**
Int. Reg. No.: **DM/210464**
Int. Reg. Date: **Jun. 12, 2020**
Int. Reg. Pub. Date: **Dec. 18, 2020**

(57) **CLAIM**
The ornamental design for a battery, as shown and described.

DESCRIPTION

The patent or application file contains at least one drawing executed in color. Copies of this patent or patent application publication with color drawing(s) will be provided by the Office upon request and payment of the necessary fee.

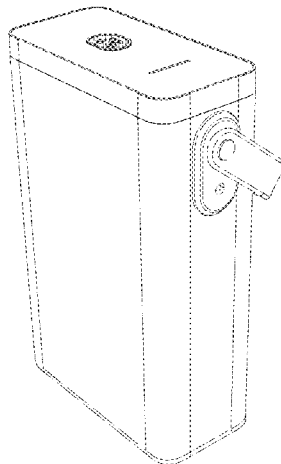
- (30) **Foreign Application Priority Data**
Dec. 13, 2019 (CN) 201930697959.9
- (51) **LOC (14) Cl.** **13-02**
- (52) **U.S. Cl.**
USPC **D13/107**
- (58) **Field of Classification Search**
USPC D13/107, 108, 110, 103
CPC H01R 13/6675; H02B 1/50; H02J 7/00;
G06F 1/1632
See application file for complete search history.

- 3.-4. Battery
- 3.1 : Front
- 3.2 : Back
- 3.3 : Left
- 3.4 : Right
- 3.5 : Top
- 3.6 : Bottom
- 3.7 : Perspective
- 4.1 : Front
- 4.2 : Back
- 4.3 : Left
- 4.4 : Right
- 4.5 : Top
- 4.6 : Bottom
- 4.7 : Perspective

The broken line showing in design 3 is included for the purpose of illustrating portions of the battery and forms no part of the claimed design. The elements shaded in a transparent red wash in design 4 are included for the purpose of illustrating portions of the battery and forms no part of the claimed design.

- (56) **References Cited**
U.S. PATENT DOCUMENTS
D510,066 S * 9/2005 Hickey D13/108
D588,059 S * 3/2009 Fujita D13/108
D639,735 S * 6/2011 Lee D13/108
D675,154 S * 1/2013 Nam D13/108
D695,215 S * 12/2013 Neidhart D13/107
D709,446 S * 7/2014 Haug D13/108

1 Claim, 10 Drawing Sheets
(5 of 10 Drawing Sheet(s) Filed in Color)



Perspective View

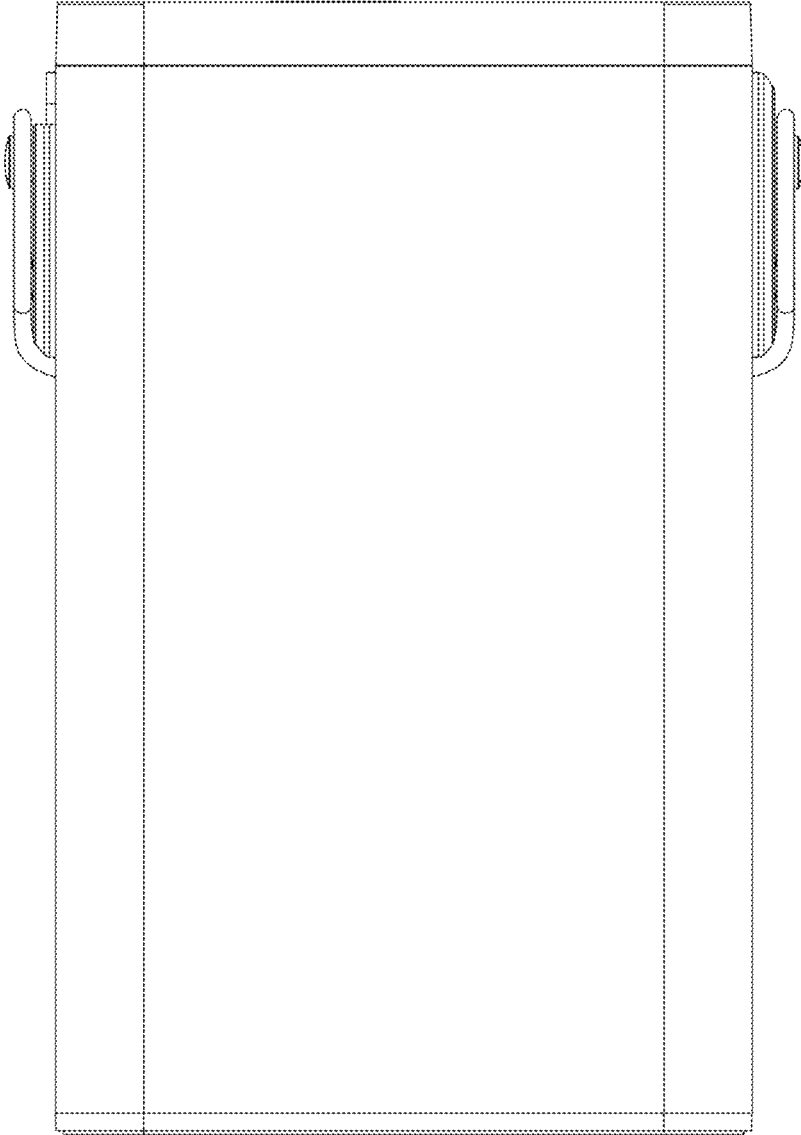
(56)

References Cited

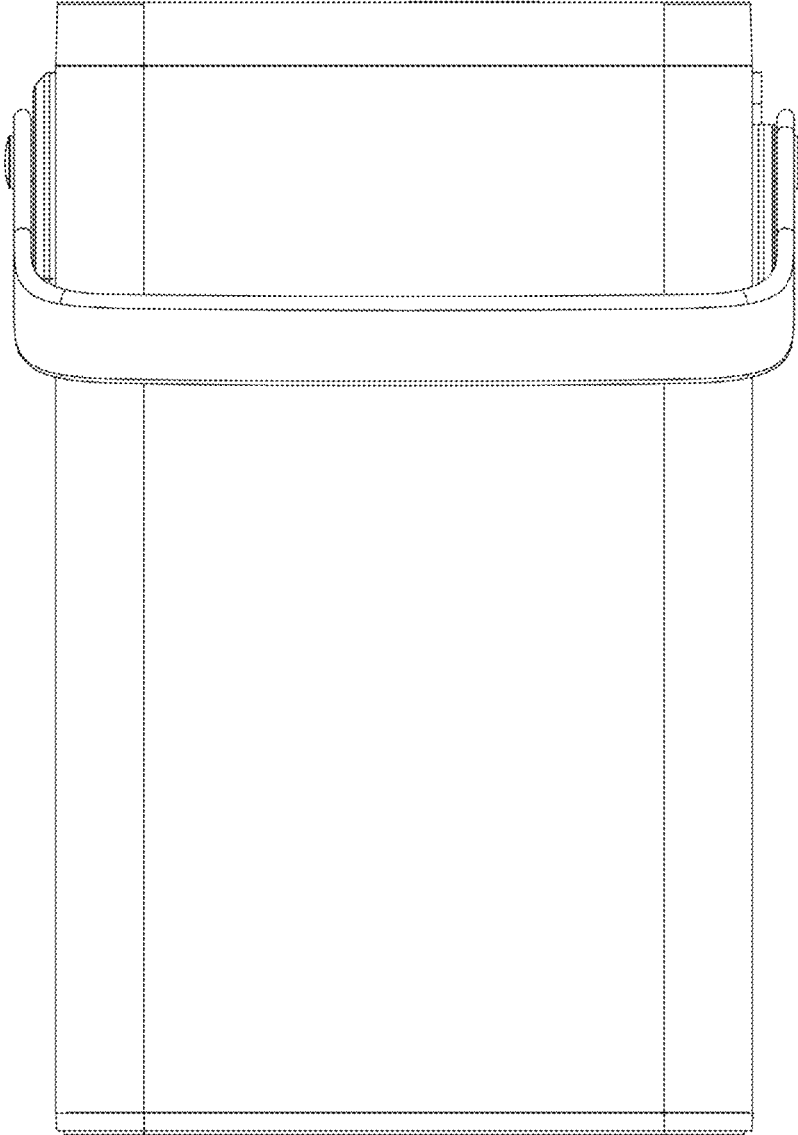
U.S. PATENT DOCUMENTS

D851,035	S	*	6/2019	Hong	D13/108
D860,934	S	*	9/2019	Ebrahimi Afrouzi	D13/108
D867,986	S	*	11/2019	Caradonna	D13/107
D879,709	S	*	3/2020	Lu	D13/108
D894,122	S	*	8/2020	Ye	D13/108
D902,148	S	*	11/2020	Nishimura	D13/107
D905,633	S	*	12/2020	Yoon	D13/108
D921,582	S	*	6/2021	Liu	D13/108
D924,130	S	*	7/2021	Zhang	D13/108
D931,207	S	*	9/2021	Briggs	D13/108
2014/0191707	A1	*	7/2014	Carreon	H04M 1/04 320/107

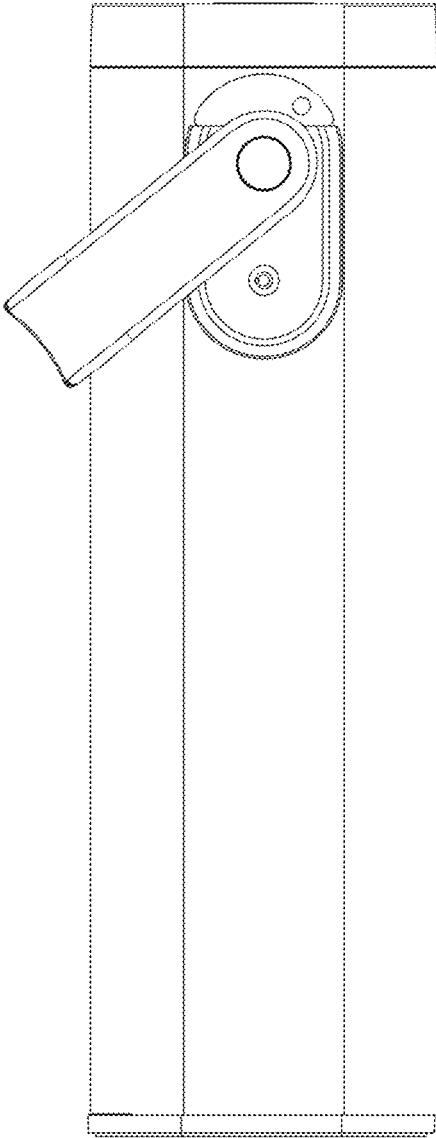
* cited by examiner



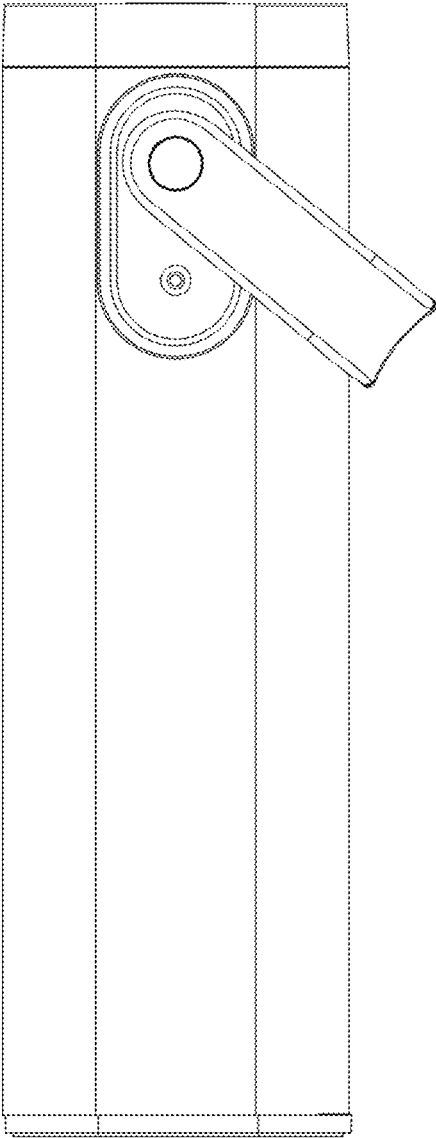
3.1
Front View



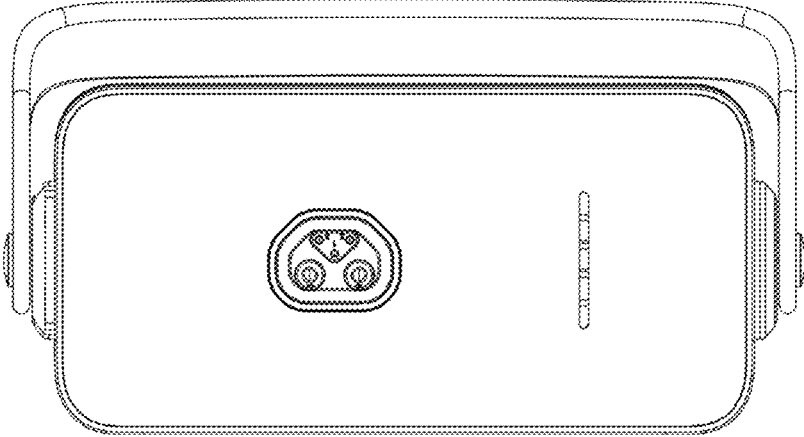
3.2
Back View



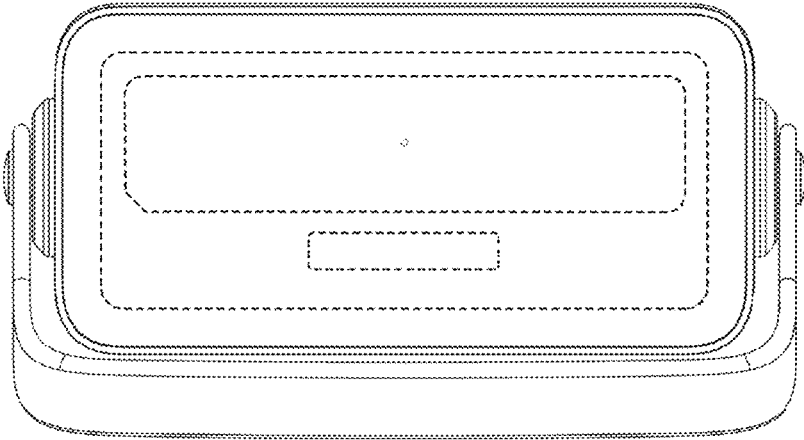
3.3
Left View



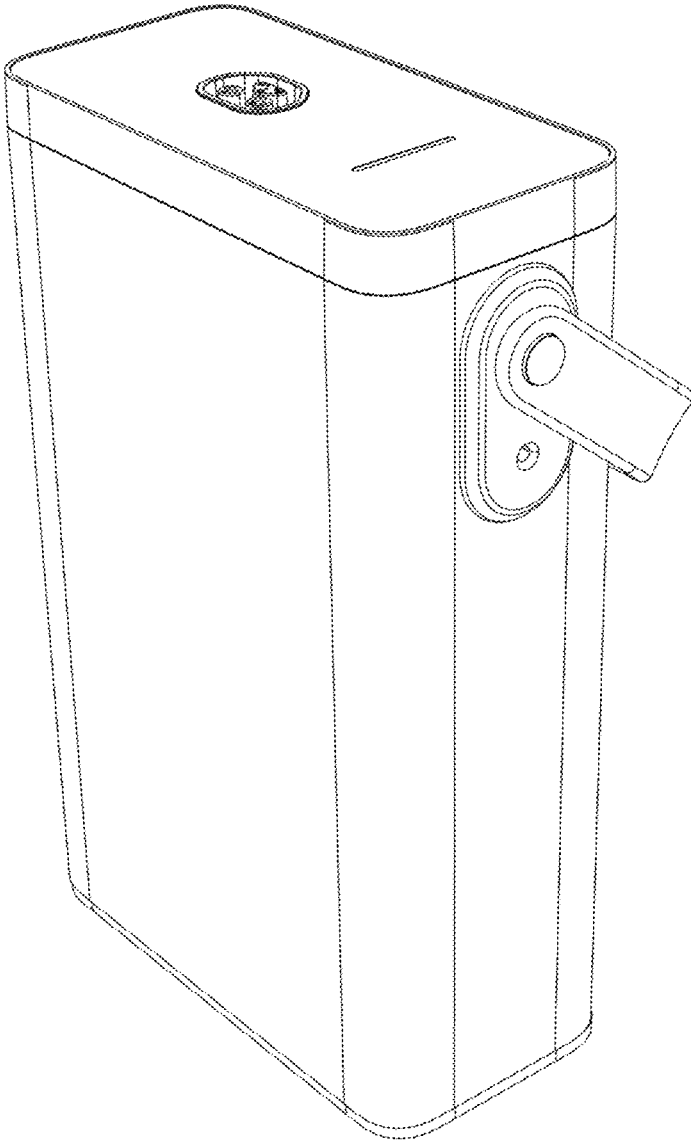
3.4
Right View



3.5
Top View



3.6
Bottom View



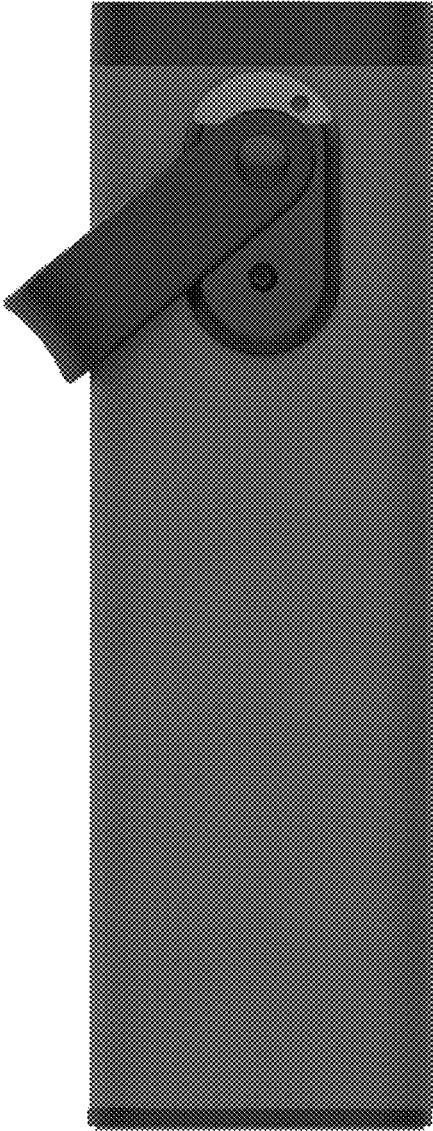
3.7
Perspective View



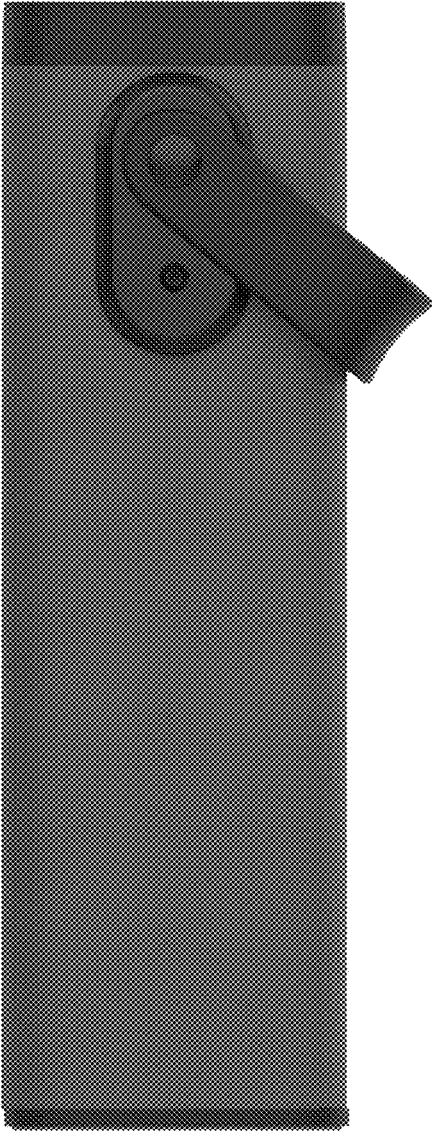
4.1
Front View



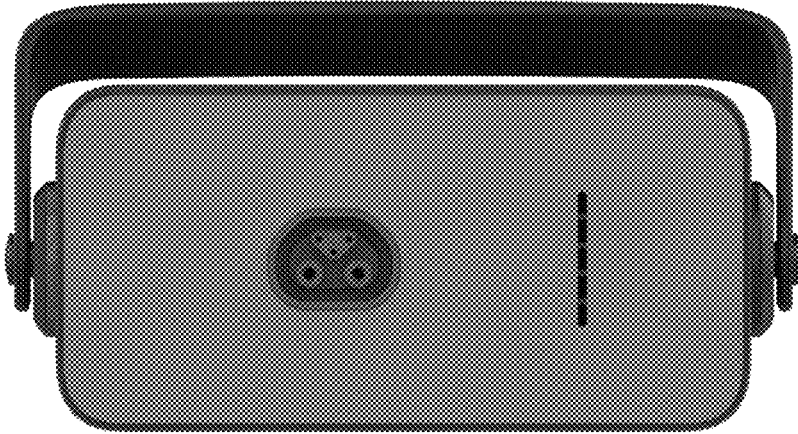
4.2
Back View



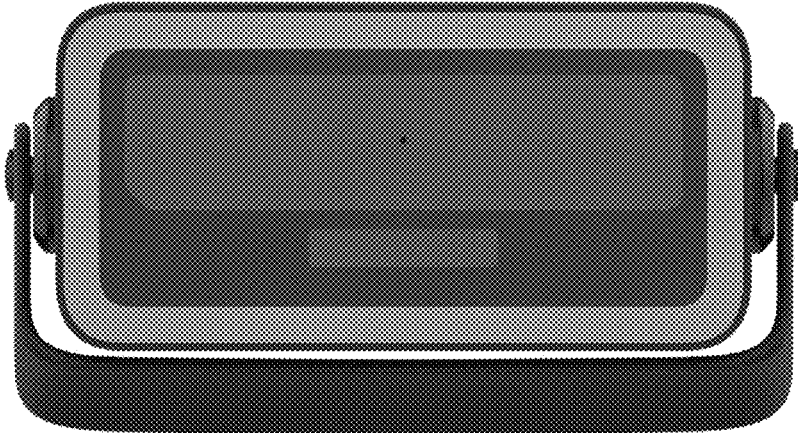
4.3
Left View



4.4
Right View



4.5
Top View



4.6
Bottom View



4.7
Perspective View