



US00D331808S

# United States Patent [19]

[11] Patent Number: Des. 331,808

Paul et al.

[45] Date of Patent: \*\* Dec. 15, 1992

[54] WORK PLATFORM

3,530,954 9/1970 Schmidt ..... 182/33  
3,650,351 3/1972 Schmidt ..... 182/33.3

[76] Inventors: **Kenneth R. Paul**, 102 Twayblade, Black Butte, Oreg. 97759; **Dennis G. Marshall**, 8290 SW. 61st, Redmond, Oreg. 97756

*Primary Examiner*—A. Hugo Word  
*Assistant Examiner*—Doris Clark  
*Attorney, Agent, or Firm*—Klarquist, Sparkman, Campbell, Leigh & Whinston

[\*\*] Term: 14 Years

[57] CLAIM

[21] Appl. No.: 575,992

The ornamental design for a work platform, as shown and described.

[22] Filed: Aug. 30, 1990

[52] U.S. Cl. .... D25/65; D6/350

[58] Field of Search ..... D25/65; D6/350, 353; 182/33, 33.3, 33.4

### DESCRIPTION

[56] References Cited

#### U.S. PATENT DOCUMENTS

D. 157,436	2/1950	Rogero	.....	D25/65
D. 173,804	1/1955	Goldman et al.	.....	D25/65
D. 240,220	6/1976	Meyer	.....	D25/65
D. 297,790	9/1988	Melvin	.....	D6/350
D. 307,800	5/1990	Hradisky	.....	D25/65
2,666,210	1/1954	Wiley	.....	182/33

FIG. 1 is a perspective view of a work platform showing our new design; FIG. 2 is a perspective view thereof, with the second step in its inoperative position; FIG. 3 is a top plan view thereof; FIG. 4 is a front elevational view, the rear being identical thereto; FIG. 5 is a left side elevational view, the right side being identical thereto; and, FIG. 6 is a bottom plan view thereof.

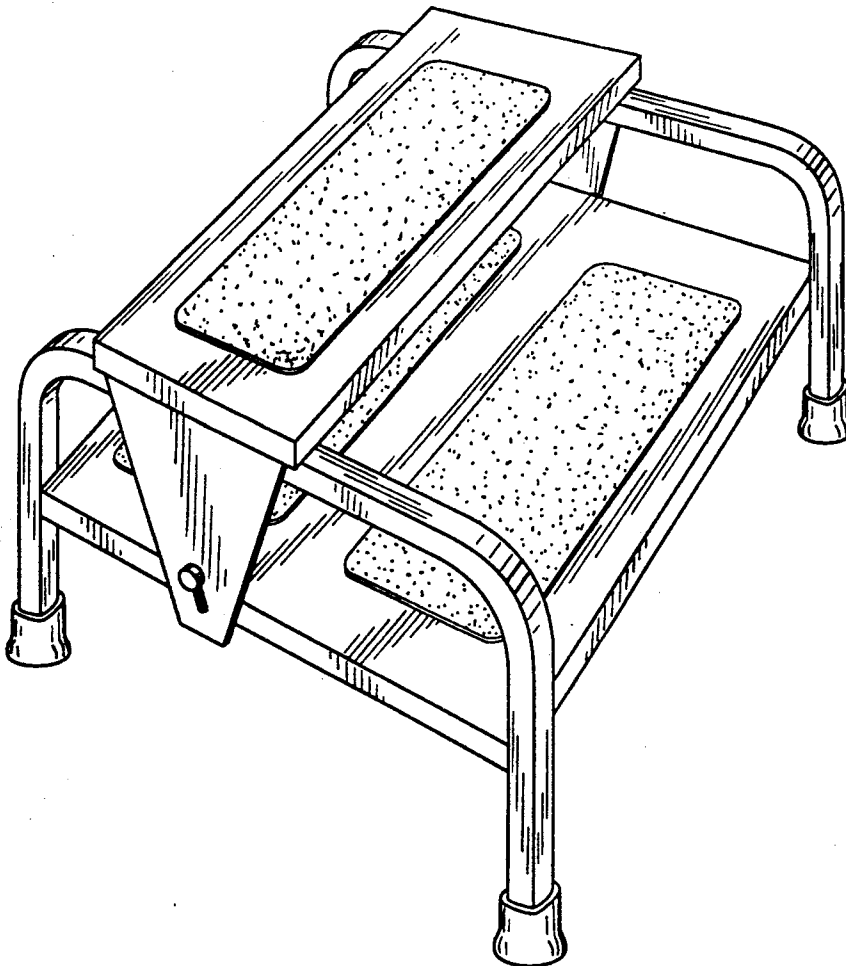


FIG. 1

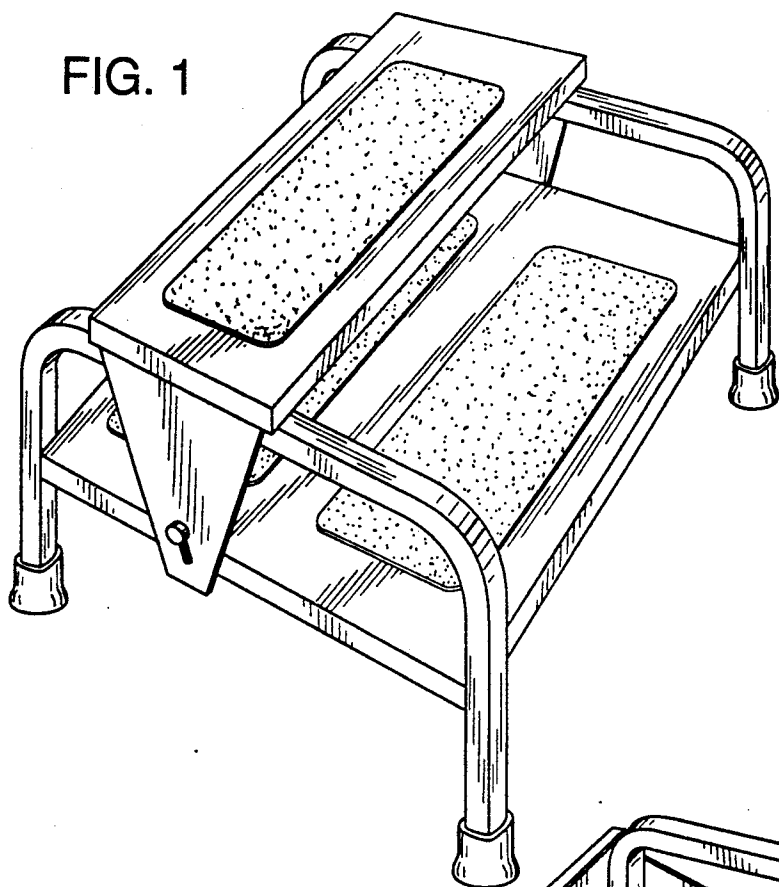


FIG. 2

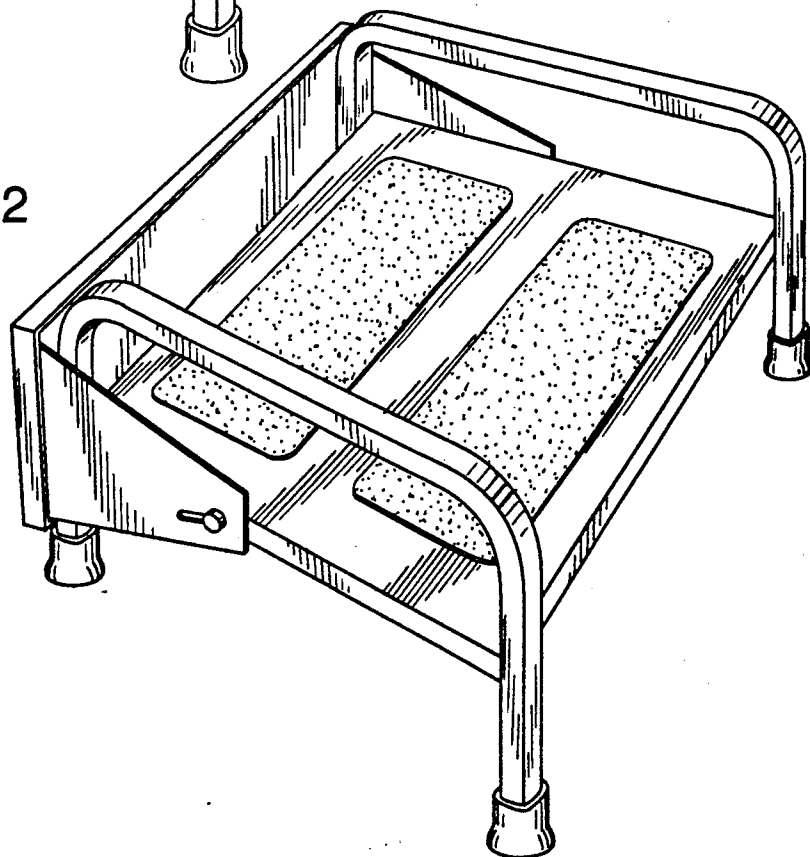


FIG. 3

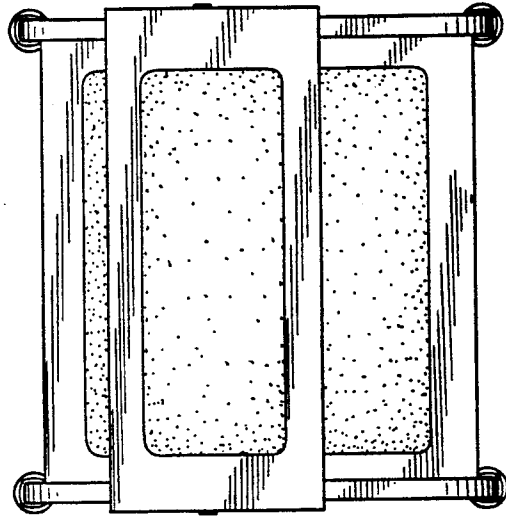


FIG. 4

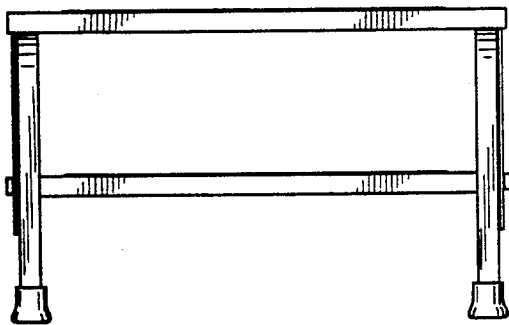


FIG. 5

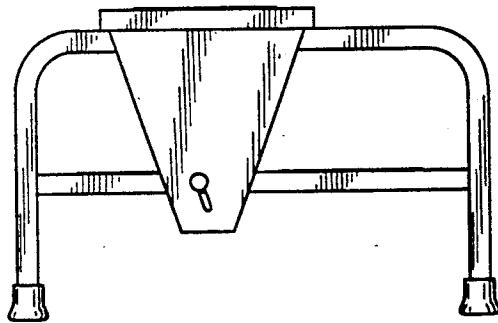


FIG. 6

