



US00D454618S

(12) **United States Design Patent** (10) **Patent No.:** **US D454,618 S**
Clivio (45) **Date of Patent:** **** Mar. 19, 2002**

(54) **GARDEN SHOWER**
(75) Inventor: **Franco Clivio**, Erlenbach (CH)
(73) Assignee: **Gardena Kress + Kastner GmbH** (DE)
(**) Term: **14 Years**
(21) Appl. No.: **29/137,572**
(22) Filed: **Feb. 23, 2001**
(30) **Foreign Application Priority Data**
Aug. 26, 2000 (DE) 400 08 365
(51) **LOC (7) Cl.** **23-01**
(52) **U.S. Cl.** **D23/213; D8/2**
(58) **Field of Search** **D23/213, 223, D23/226; 239/459, 530; D8/2**

(56) **References Cited**
U.S. PATENT DOCUMENTS
D247,680 S * 4/1978 Lorenzetti D23/213
D351,015 S * 9/1994 Caceres et al. D23/213
D358,195 S * 5/1995 Tsai D23/213
5,845,851 A * 12/1998 Shfaram 239/525
D427,660 S * 7/2000 Casica et al. D23/223
D444,846 S * 7/2001 Cross et al. D23/213

OTHER PUBLICATIONS
Pp. 1 and 42 of a publication entitled "Das Bosch-Garentergeräte-Programm 1998/99" published by Bosch.
2 pages of a publication entitled "Das Bosch-Gartengeräte-Programm 2000" published by Bosch and made available to the public in 1999.

Pp. 1 and 3 of a catalog entitled "1996 Lawn and Garden New Products Supplement", published by Nelson.
Pp. 1, 7, 8 of a catalog entitled "1997 International", published by Nelson.
4 pages of a 1995 catalog entitled "Gardenlife", published by Claber.
Pp. 1 and 23-25 of a catalog entitled "Uniflex 2000", published by Uniflex Utilitime S.p.A., made available to the public in 1999.
Pp. 1, 11, 12 of a catalog entitled "Hozelock 1999".
Pp. 1, 10 of a catalog entitled "Hozelock 2000", made available to the public in 1999.
8 pages of a catalog entitled "Gardena 2000", published by Gardena Kress + Kastner GmbH, made available to the public in 1999.

* cited by examiner
Primary Examiner—Robin V. Taylor
(74) *Attorney, Agent, or Firm*—Akerman Senterfitt

(57) **CLAIM**
The ornamental design for a garden shower, as shown and described.

DESCRIPTION
FIG. 1 is a side perspective view of a garden shower showing my new design;
FIG. 2 is a side elevation view thereof;
FIG. 3 is a bottom plan view thereof;
FIG. 4 is an opposite side elevation view thereof;
FIG. 5 is top plan view thereof;
FIG. 6 is a front elevation view thereof; and,
FIG. 7 is a rear elevation view thereof.

1 Claim, 4 Drawing Sheets

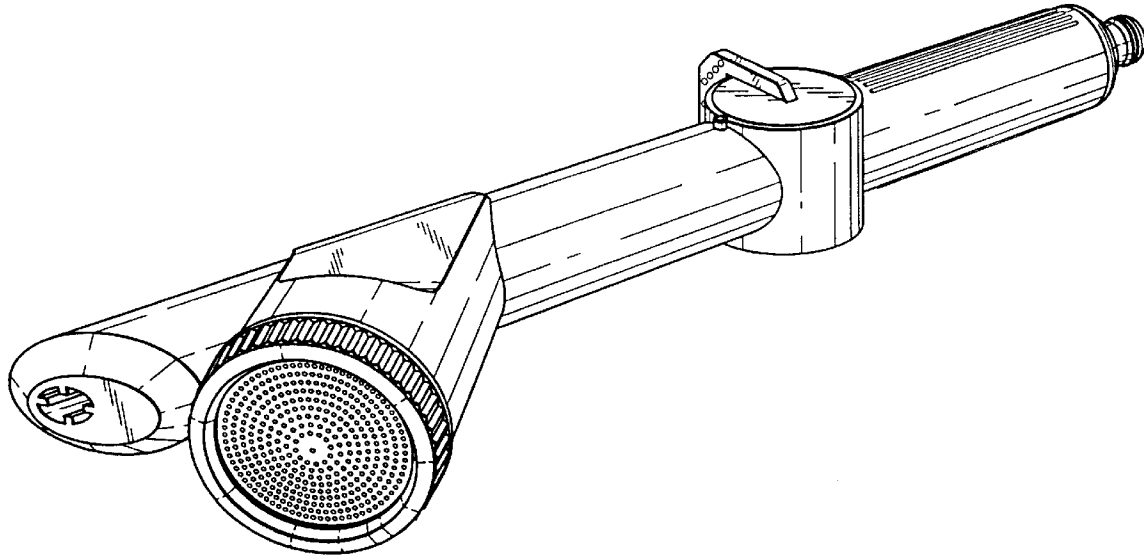


FIG. 1

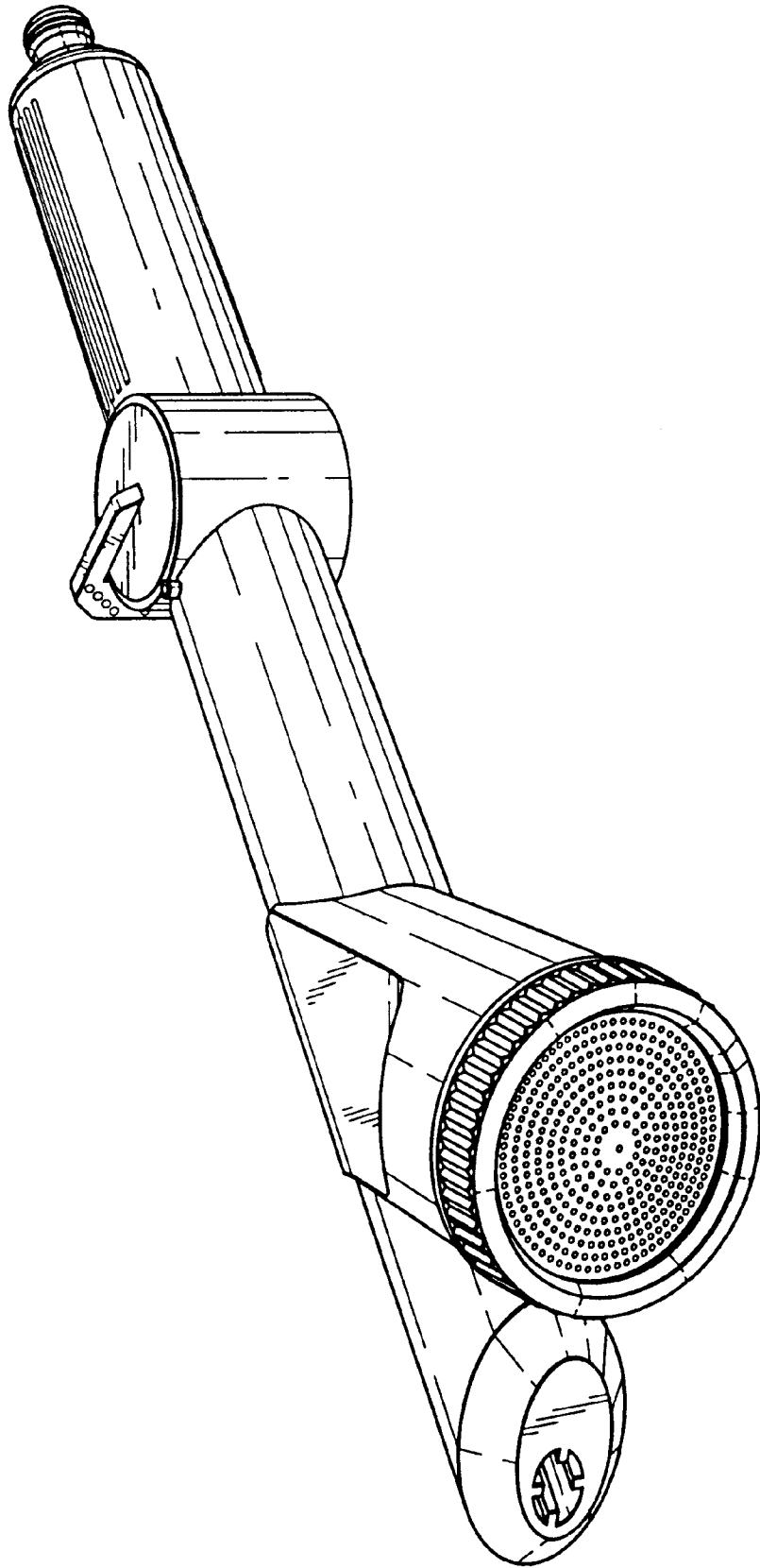


FIG. 2

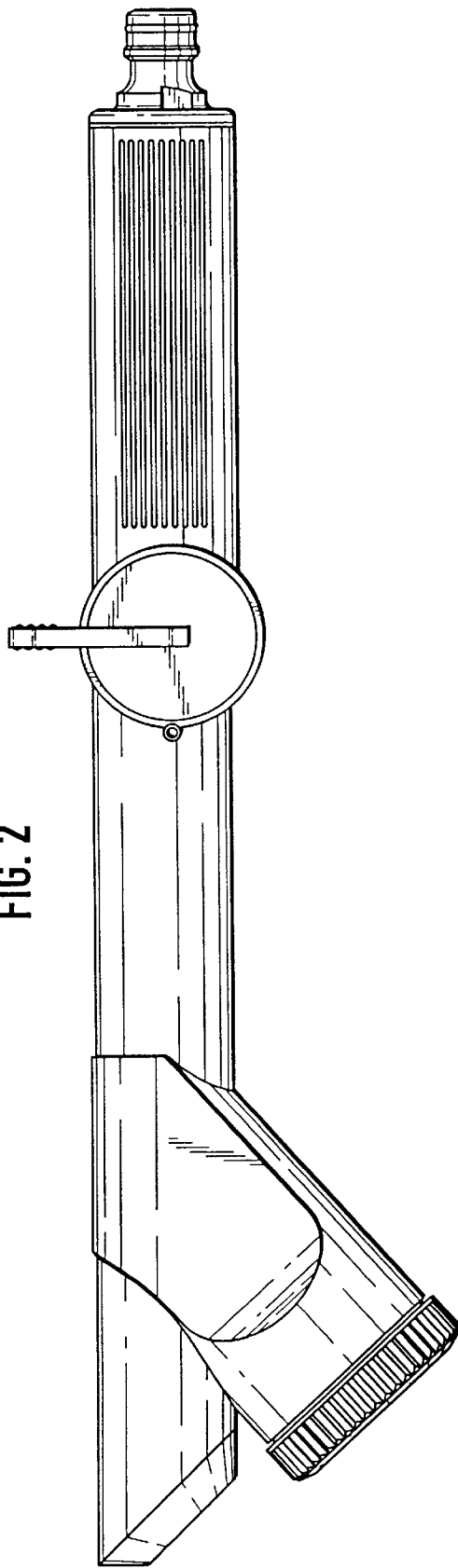
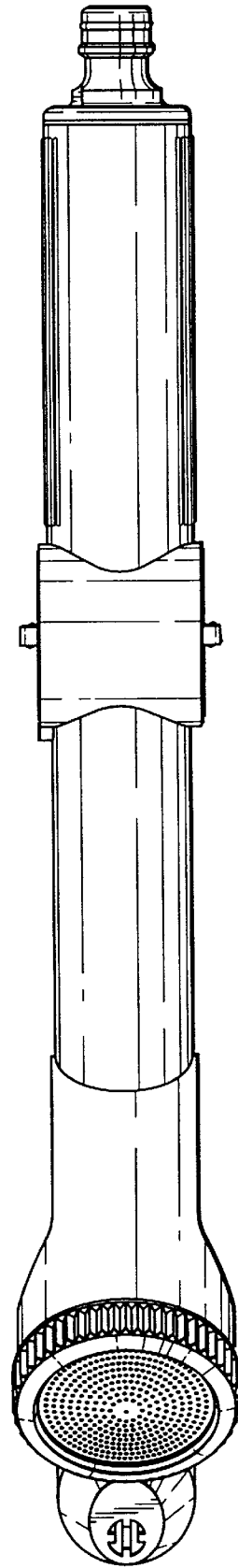


FIG. 3



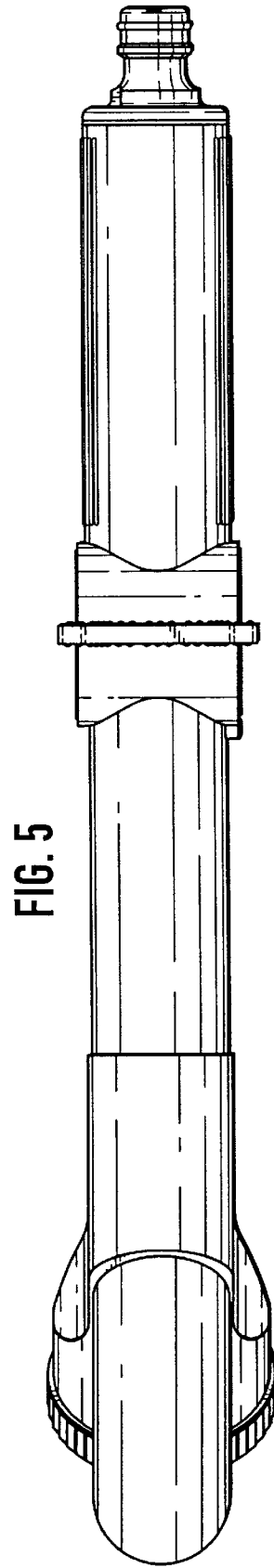
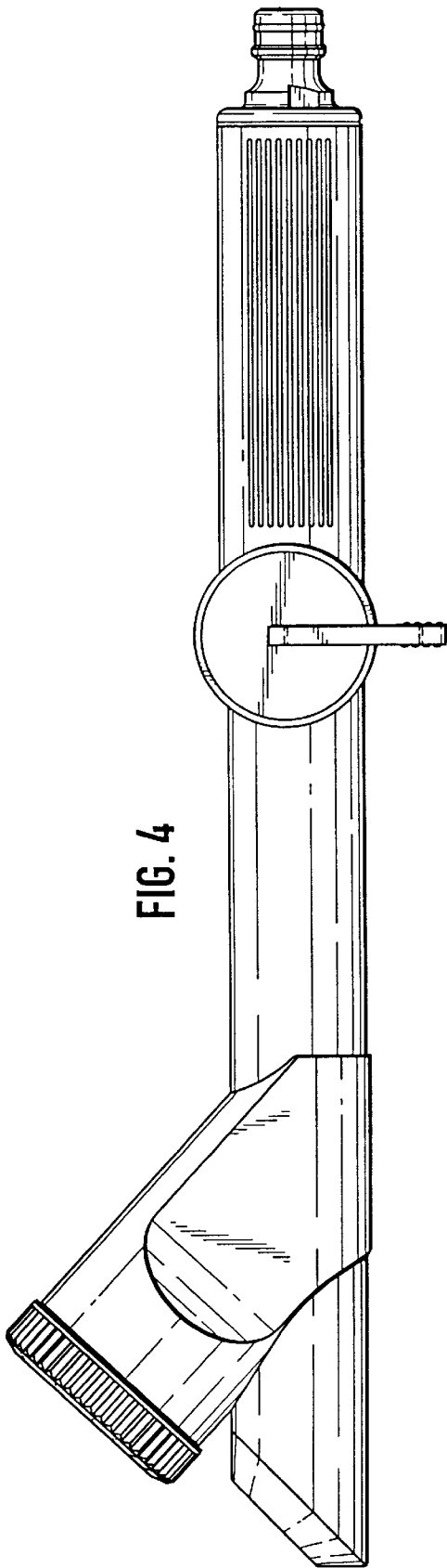


FIG. 6

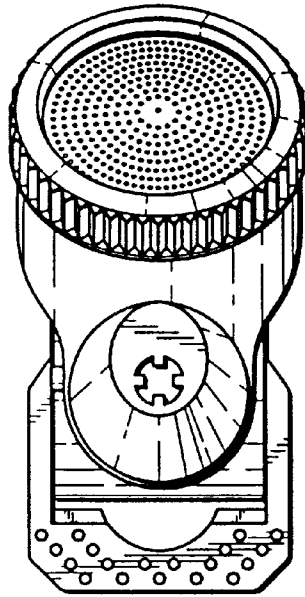


FIG. 7

