



US00D928216S

(12) **United States Design Patent**  
**Jiang**

(10) **Patent No.:** **US D928,216 S**

(45) **Date of Patent:** **\*\* Aug. 17, 2021**

(54) **TRAIL CAMERA**

(71) Applicant: **SHENZHEN ZHUOPU DIGITAL TECHNOLOGY CO., LTD.**, Shenzhen (CN)

(72) Inventor: **Qingwen Jiang**, Shenzhen (CN)

(73) Assignee: **SHENZHEN ZHUOPU DIGITAL TECHNOLOGY CO., LTD.**, Shenzhen (CN)

(\*\*) Term: **15 Years**

(21) Appl. No.: **29/763,748**

(22) Filed: **Dec. 23, 2020**

(51) **LOC (13) Cl.** ..... **16-01**

(52) **U.S. Cl.**  
USPC ..... **D16/203**

(58) **Field of Classification Search**  
USPC ..... D16/200, 202-206, 218, 219, 242;  
348/143, 148, 151, 155, 164, 373-376;  
396/419, 427, 535, 539-541  
CPC ..... G03B 17/02; G03B 19/04; G03B 17/56;  
G03B 17/04; G03B 15/03; H04N 5/2251;  
H04N 5/2252; H04N 5/2253; H04N  
5/2254; H04N 7/181; H04N 7/183; H04N  
7/18; G08B 13/1963; G08B 13/19619;  
G08B 13/19632; G08B 13/19602; G08B  
13/19634; F16M 11/04; F16M 13/00  
See application file for complete search history.

(56) **References Cited**

**U.S. PATENT DOCUMENTS**

7,534,056 B2 *	5/2009	Cross	.....	F16M 11/10 348/143
D833,506 S *	11/2018	Chen	.....	D16/218
D865,023 S *	10/2019	Chen	.....	D16/203
D872,791 S *	1/2020	Chen	.....	D16/203

D874,537 S *	2/2020	Ye	.....	D16/203
D874,546 S *	2/2020	Yu	.....	D16/218
D875,162 S *	2/2020	Yu	.....	D16/218
D875,807 S *	2/2020	Luo	.....	
D880,555 S *	4/2020	Yu	.....	D16/203
D883,358 S *	5/2020	Ren	.....	D16/203
D883,359 S *	5/2020	Ren	.....	D16/203
D883,360 S *	5/2020	Ren	.....	D16/203
D883,361 S *	5/2020	Ren	.....	D16/203
D884,049 S *	5/2020	Wang	.....	
D894,252 S *	8/2020	Han	.....	D16/203

**OTHER PUBLICATIONS**

Meidase S2 Trail Game Camera 20MP 1080P Wildlife Cam with Starlight Night Vision Motion Activated Waterproof . . . , announced Aug. 25, 2020, Amazon.com, [online], [site visited Mar. 26, 2021], Available from Internet URL:<<https://www.amazon.com/Meidase-Camera-Wildlife-Vision-Activated/dp/B088ZSPB5M>> (Year: 2020).\*

\* cited by examiner

*Primary Examiner* — Ramzi Almatrahi

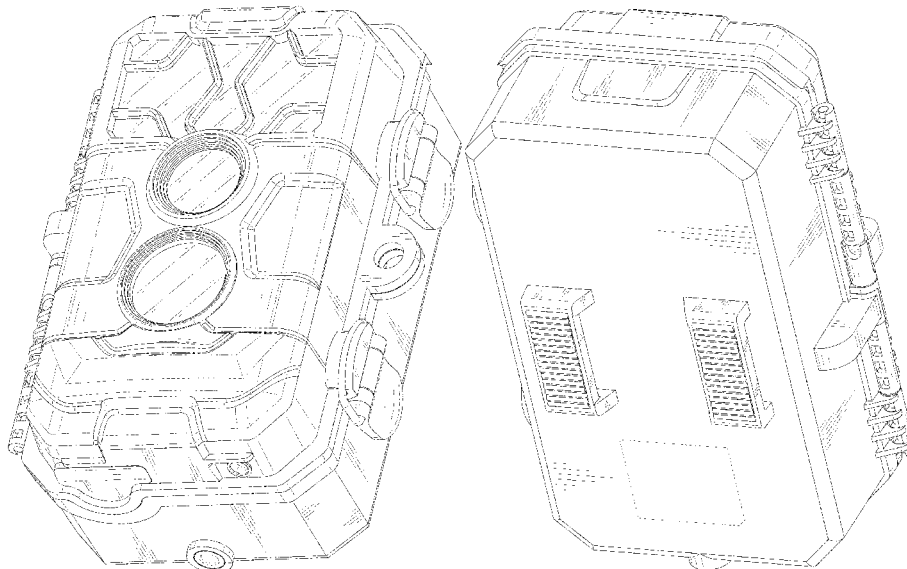
(57) **CLAIM**

The ornamental design for a trail camera, as shown and described.

**DESCRIPTION**

FIG. 1 is a bottom, front, and right side perspective view of a trail camera showing my new design; FIG. 2 is a top, rear, and left side perspective view thereof; FIG. 3 is a front elevational view thereof; FIG. 4 is a rear elevational view thereof; FIG. 5 is a left side elevational view thereof; FIG. 6 is a right side elevational view thereof; FIG. 7 is a top plan view thereof; and, FIG. 8 is a bottom plan view thereof. The broken lines in the drawings depict portions of the trail camera that form no part of the claimed design.

**1 Claim, 8 Drawing Sheets**



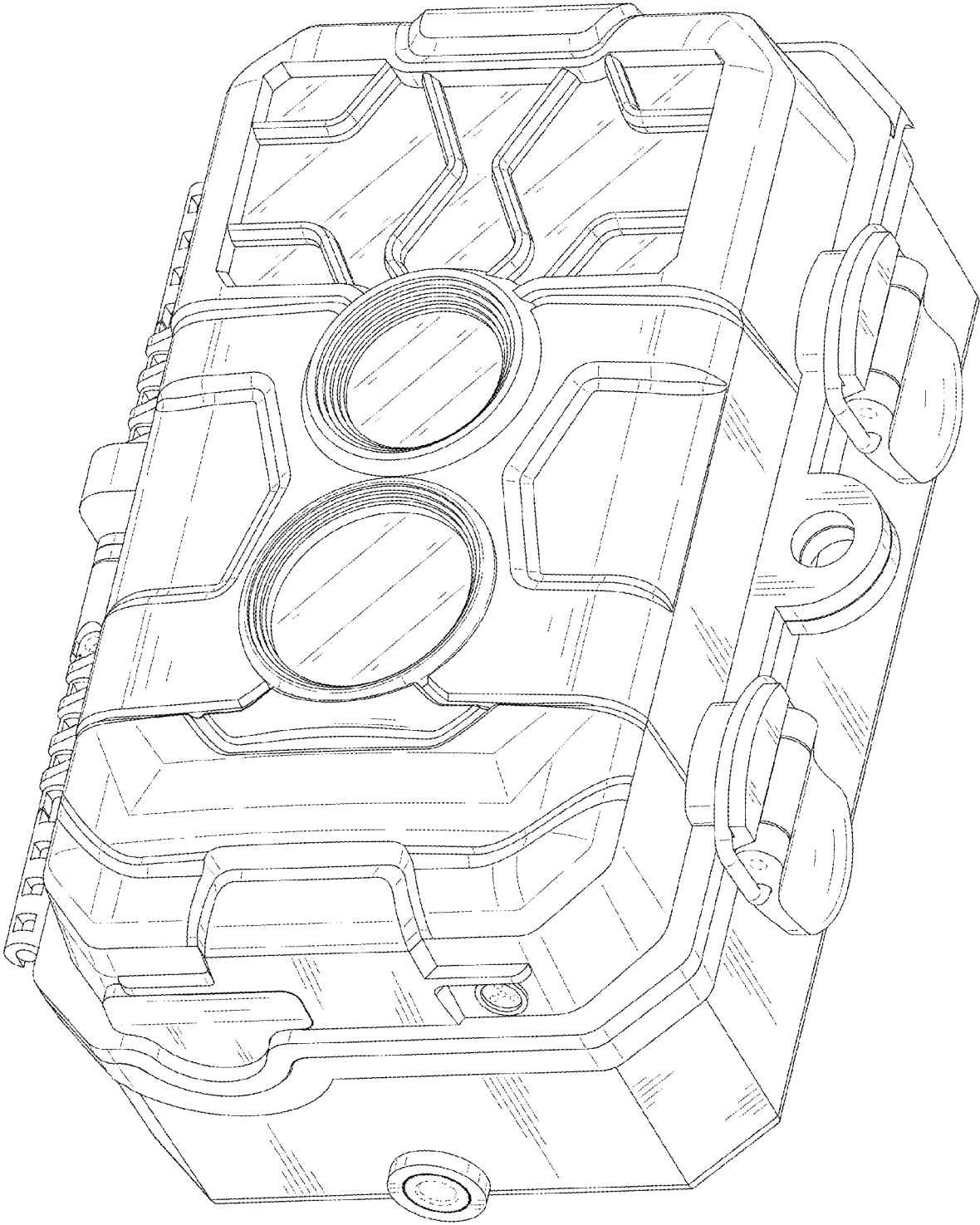


FIG. 1

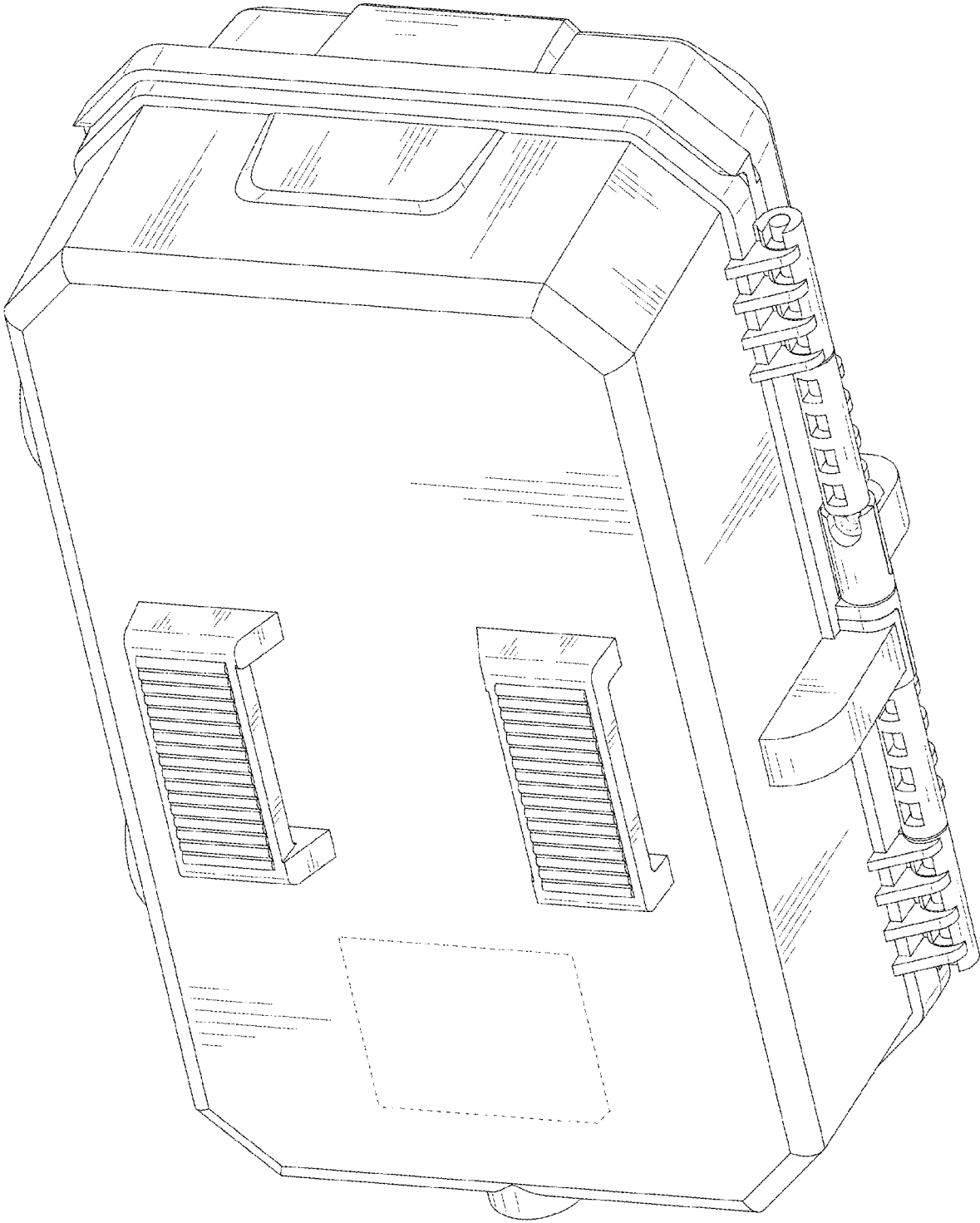


FIG. 2

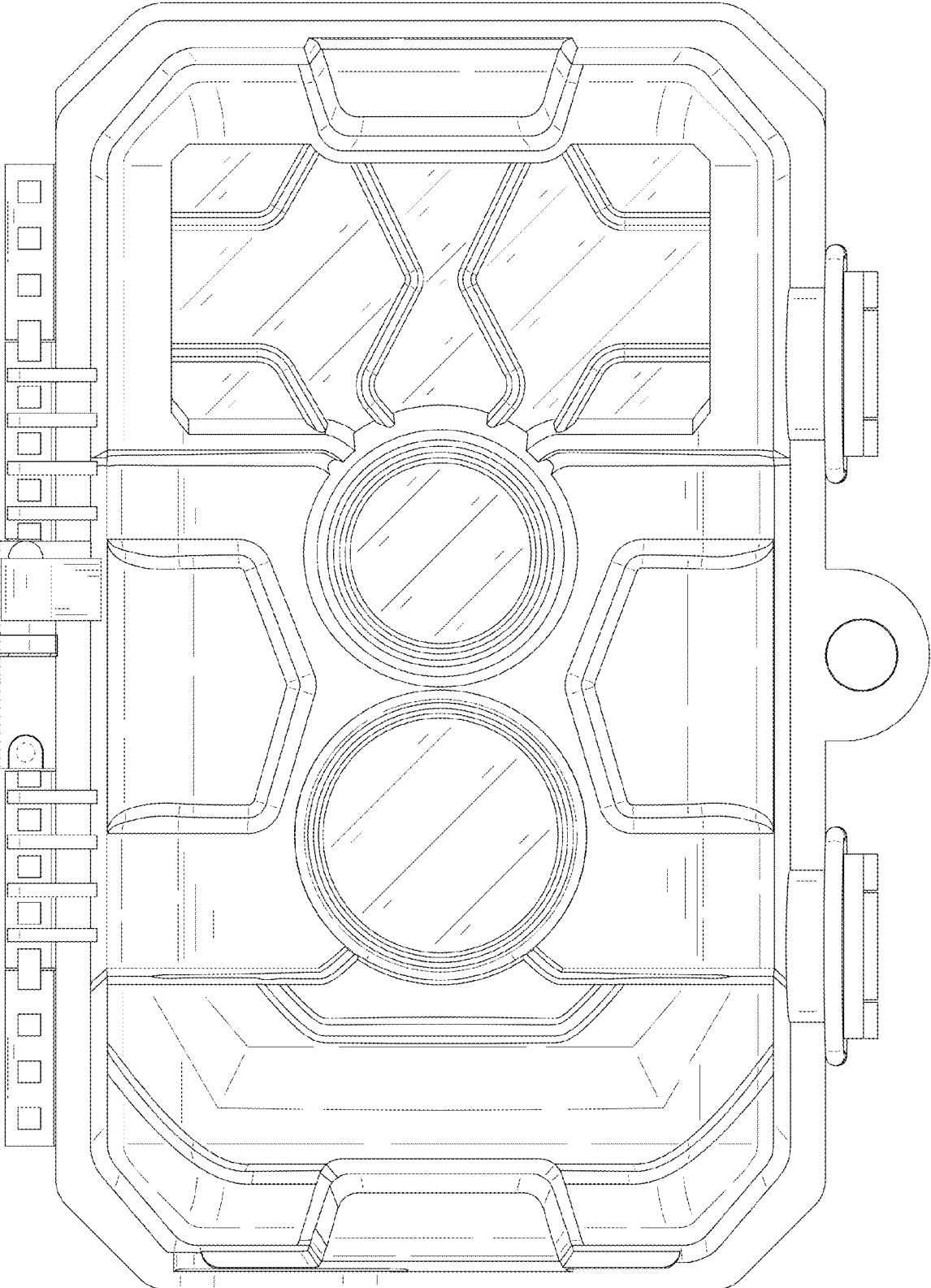


FIG. 3

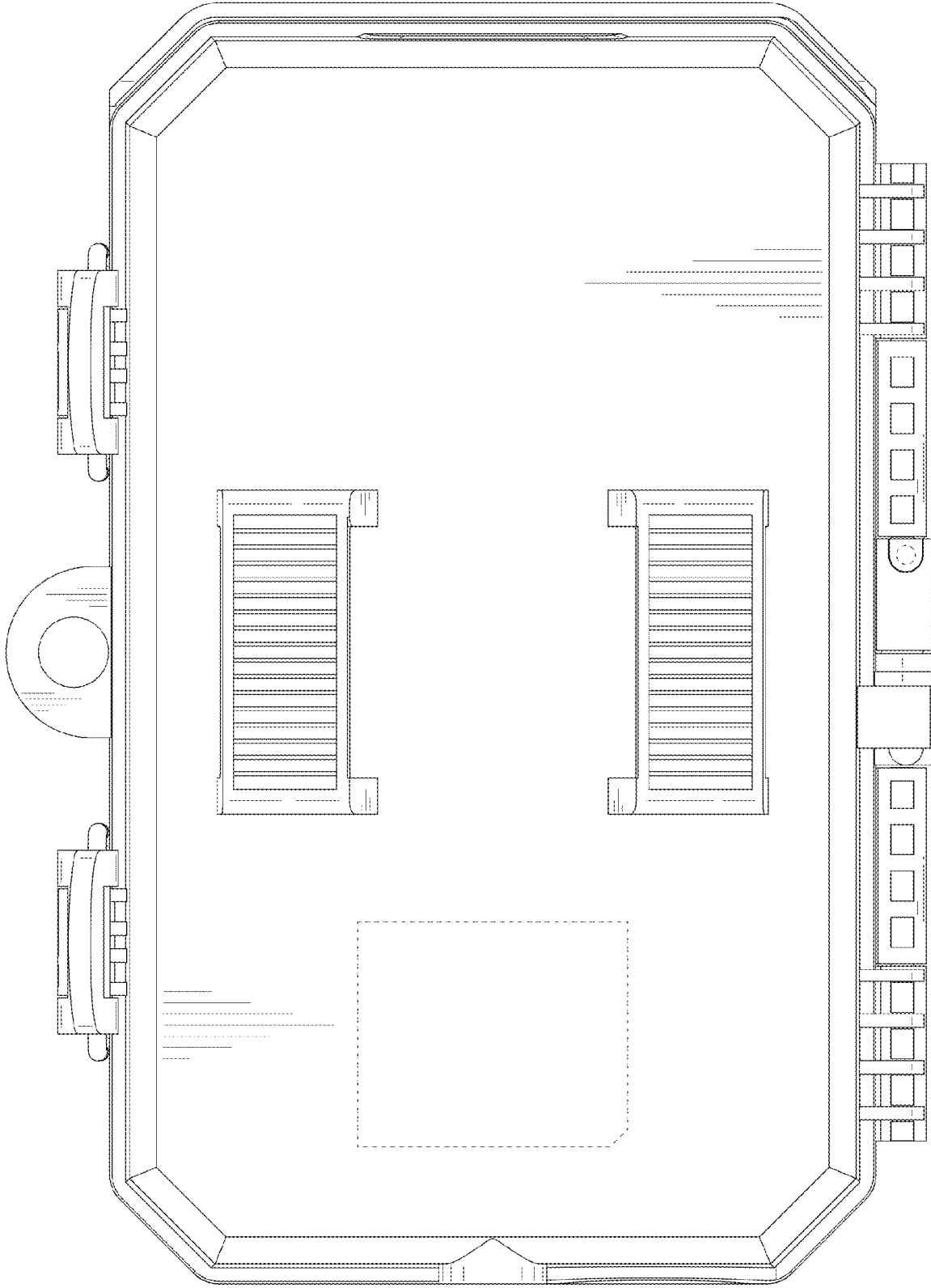


FIG. 4

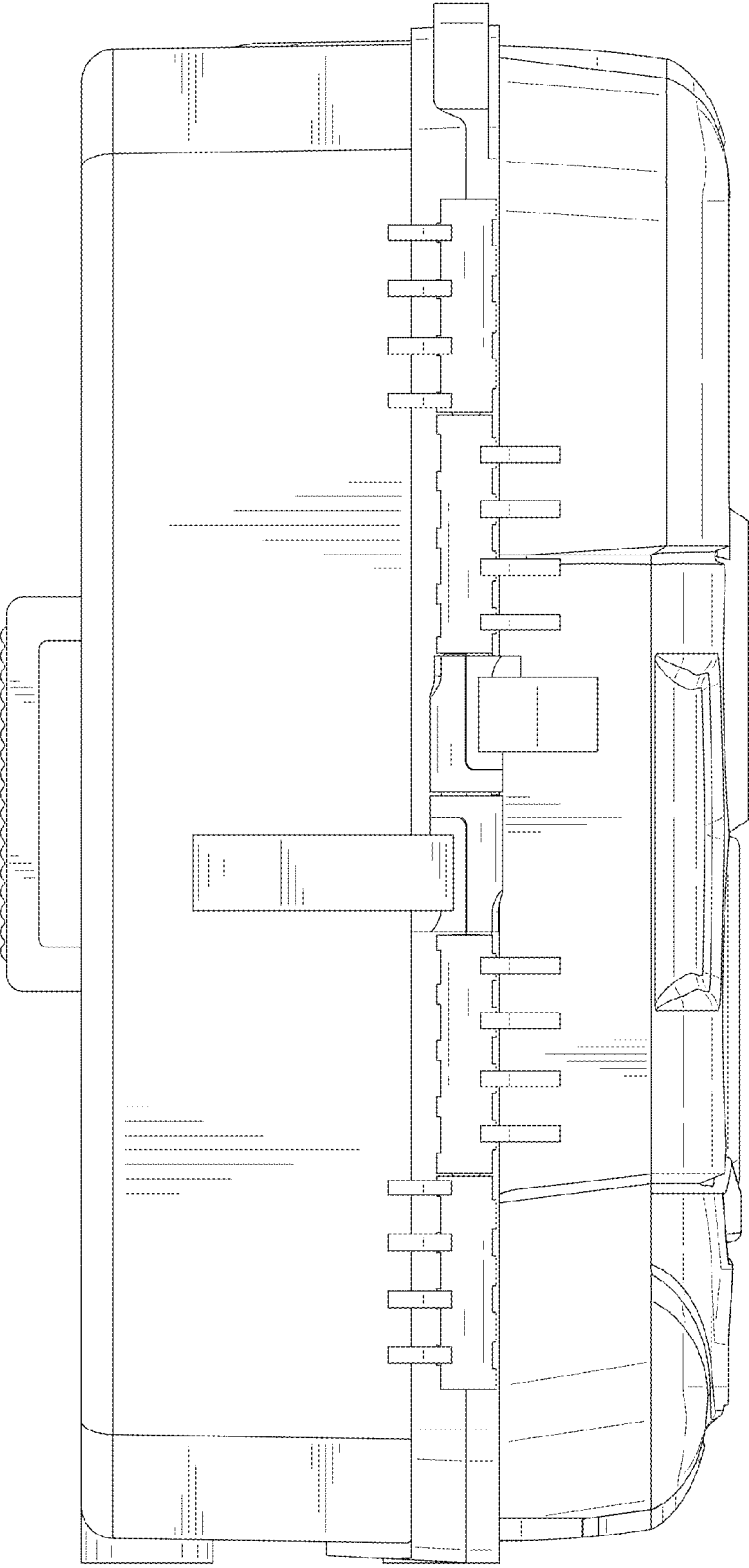


FIG. 5

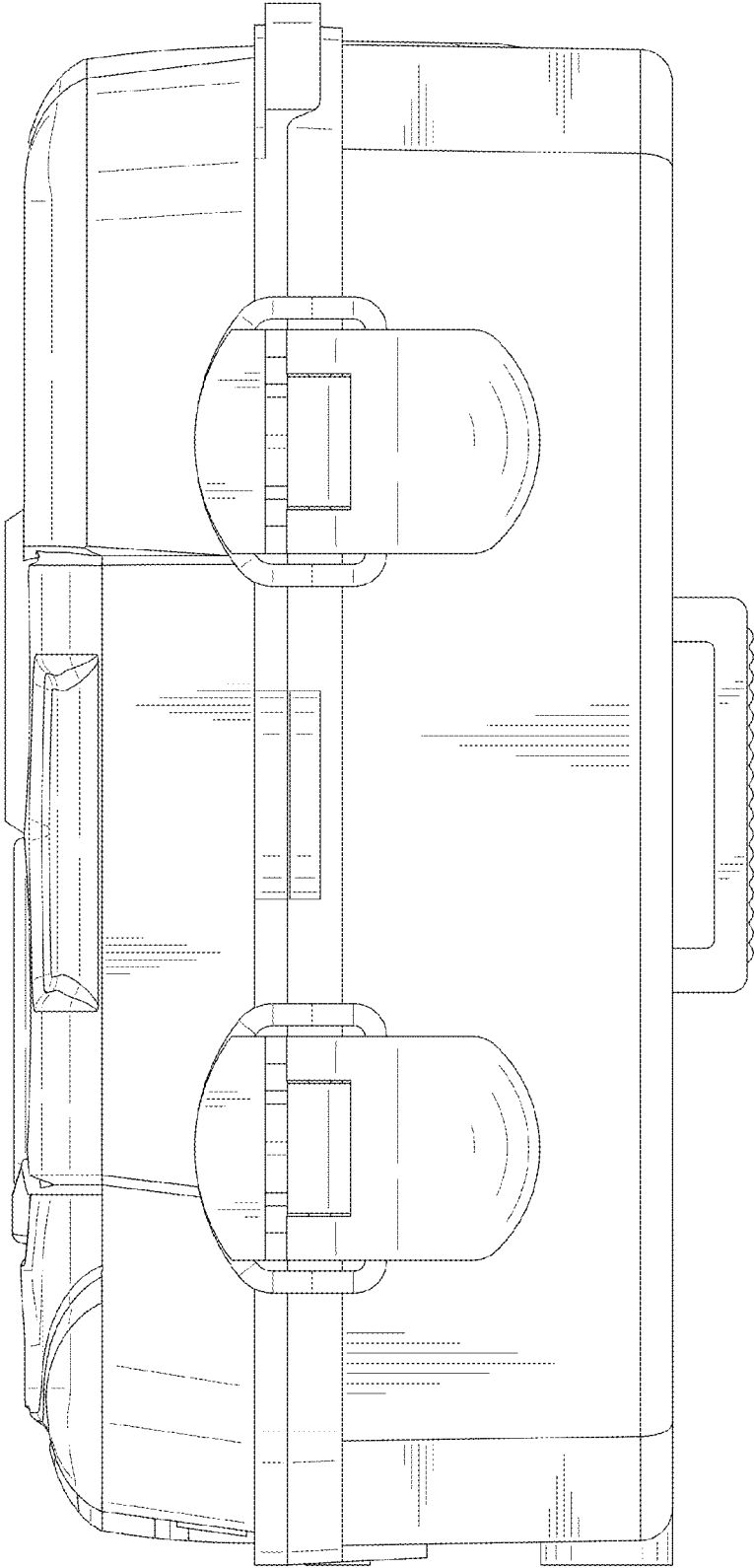


FIG. 6

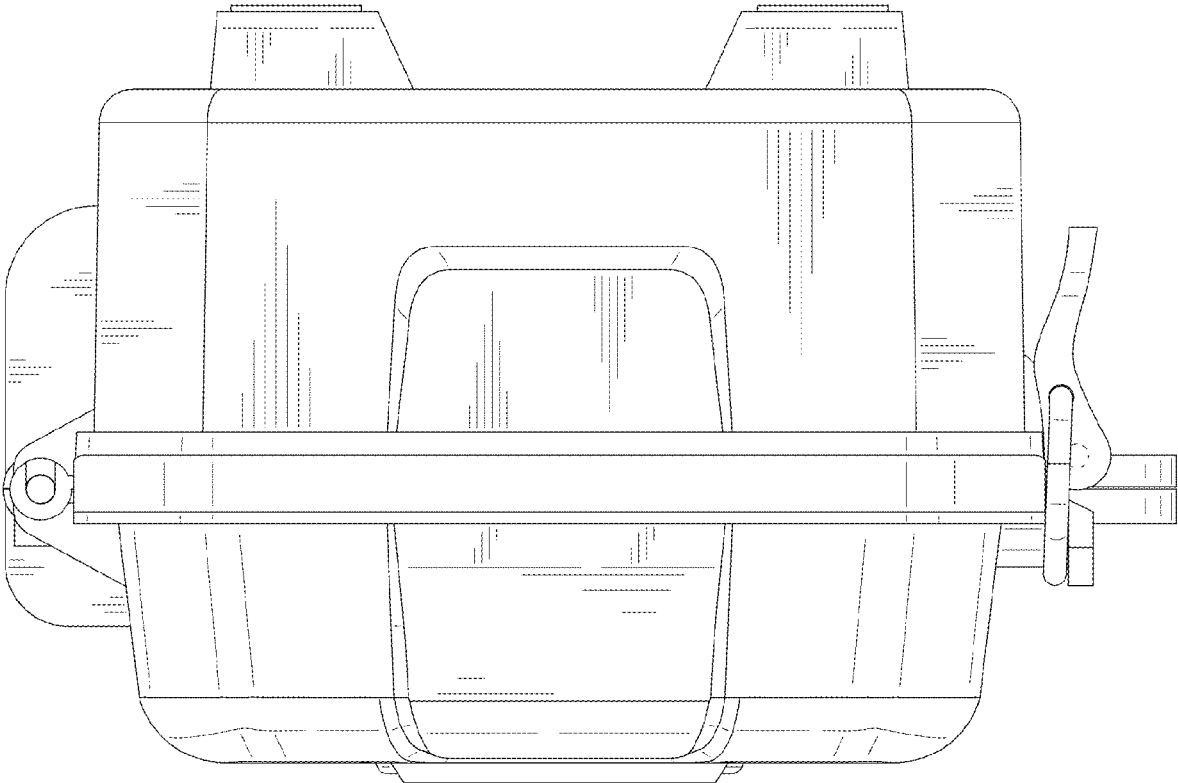


FIG. 7



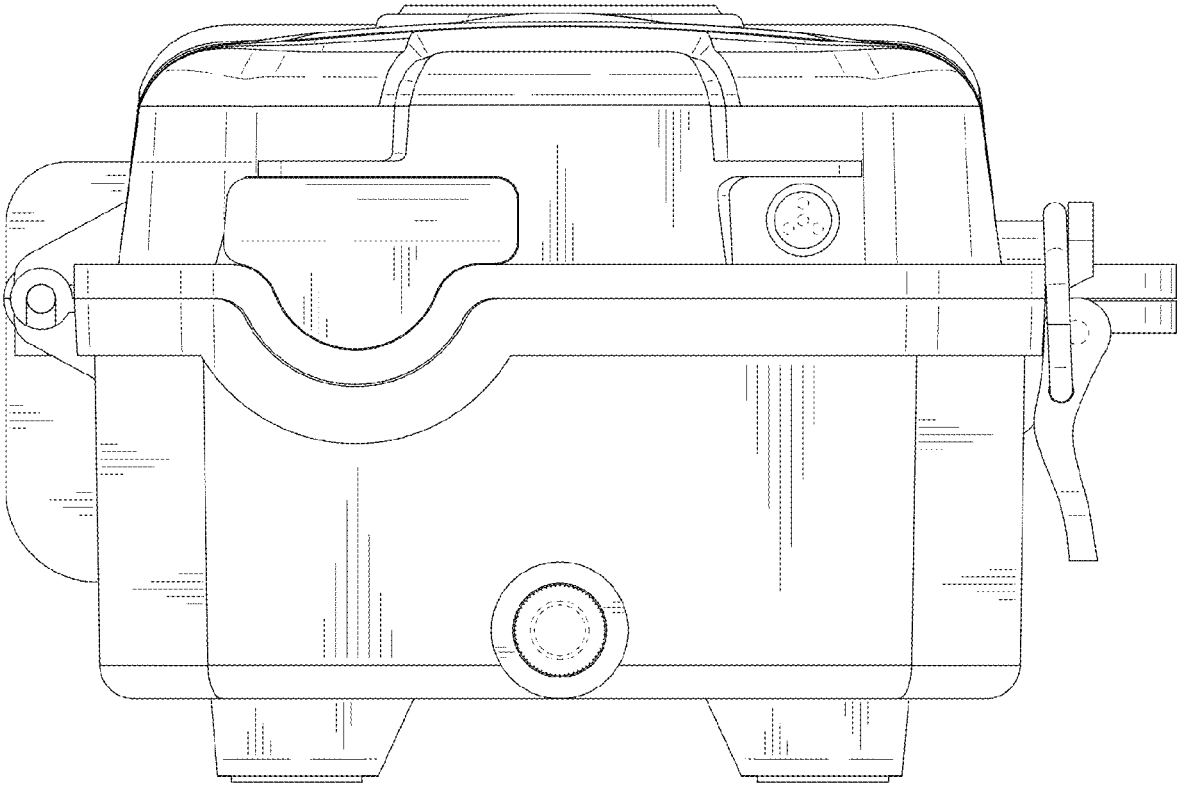


FIG. 8