



US00D530022S

(12) **United States Design Patent**
Haymann et al.

(10) **Patent No.:** **US D530,022 S**

(45) **Date of Patent:** **** Oct. 10, 2006**

(54) **SHADE STRUCTURE**

(75) Inventors: **Gary Haymann**, Dallas, TX (US);
Felipe Peña, South Lake, TX (US)

(73) Assignee: **USA Shade & Fabric Structures, Inc.**,
Dallas, TX (US)

(**) Term: **14 Years**

(21) Appl. No.: **29/244,112**

(22) Filed: **Dec. 5, 2005**

(51) **LOC (8) Cl.** **25-02**

(52) **U.S. Cl.** **D25/56**

(58) **Field of Classification Search** D25/56;
135/90, 97, 121, 124, 122, 906, 908; 160/38;
D21/837; 52/3, 23

See application file for complete search history.

(56) **References Cited**

U.S. PATENT DOCUMENTS

D185,630 S * 7/1959 Dorstewitz et al. D25/56

5,711,337 A * 1/1998 McKenney 135/121
5,778,613 A * 7/1998 Thomson 52/222
5,967,162 A * 10/1999 Bolton 135/122
D432,665 S * 10/2000 Chipman et al. D25/56
D472,980 S * 4/2003 Imai D25/56

* cited by examiner

Primary Examiner—Doris Clark
(74) *Attorney, Agent, or Firm*—David W. Carstens;
Carstens & Cahoon, LLP

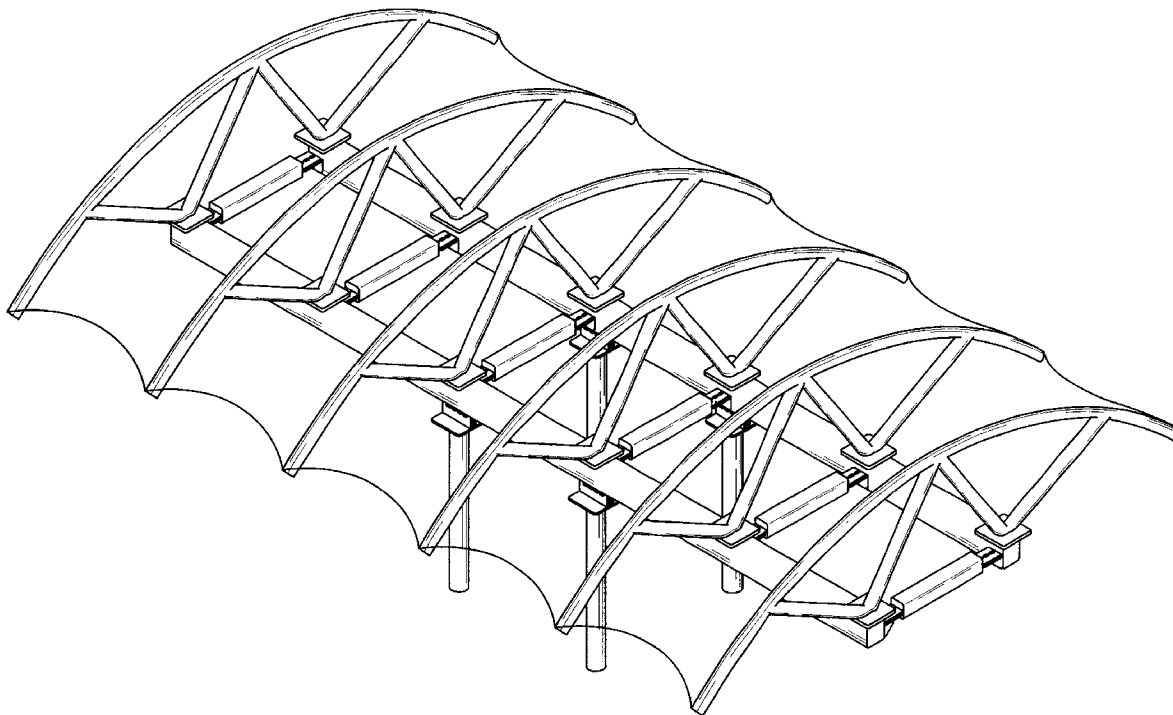
(57) **CLAIM**

The ornamental design for an shade structure, as shown.

DESCRIPTION

FIG. 1 is a perspective view of the shade structure embodying the present invention;
FIG. 2 is a side view of the shade structure;
FIG. 3 is a front view of the shade structure; and,
FIG. 4 is a top view of the shade structure.

1 Claim, 4 Drawing Sheets



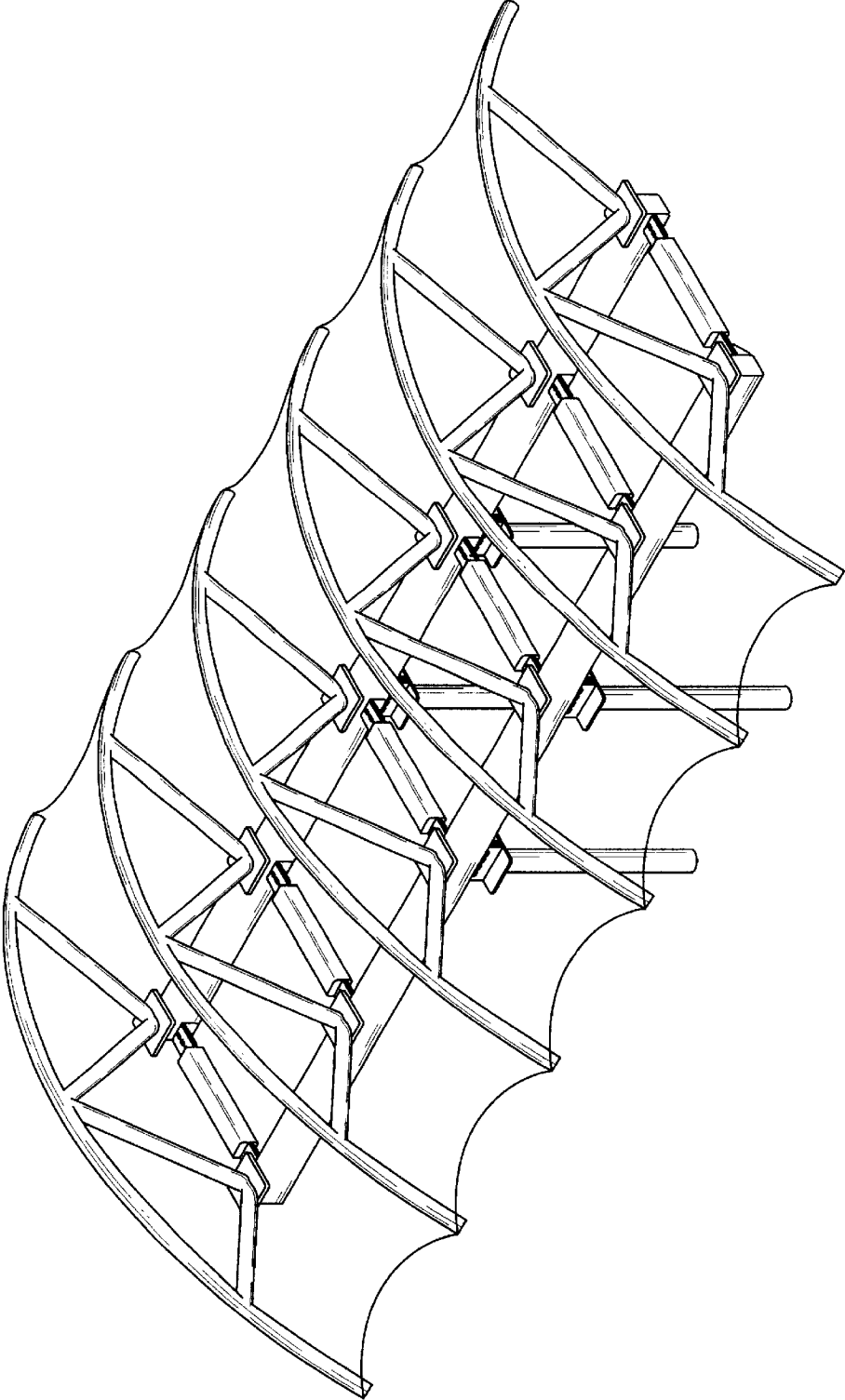


FIG. 1

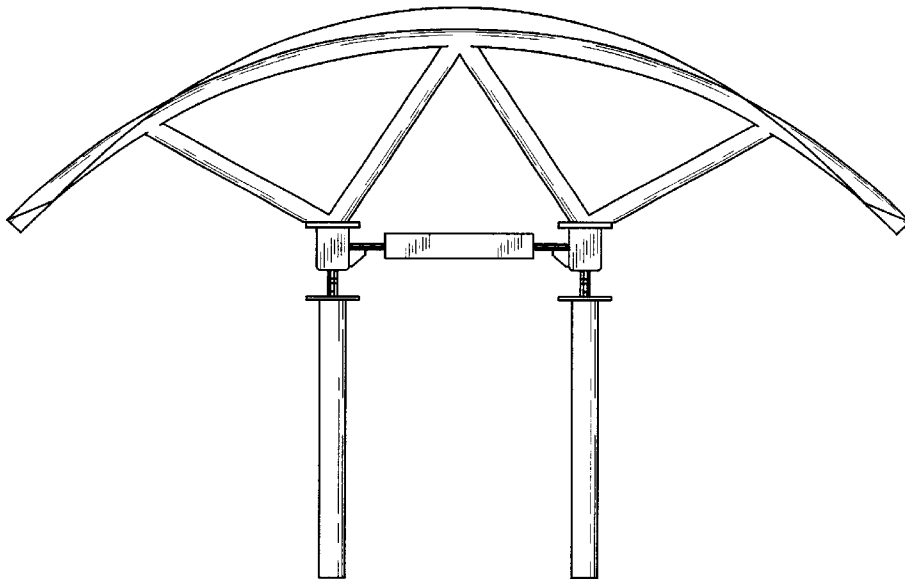


FIG. 2

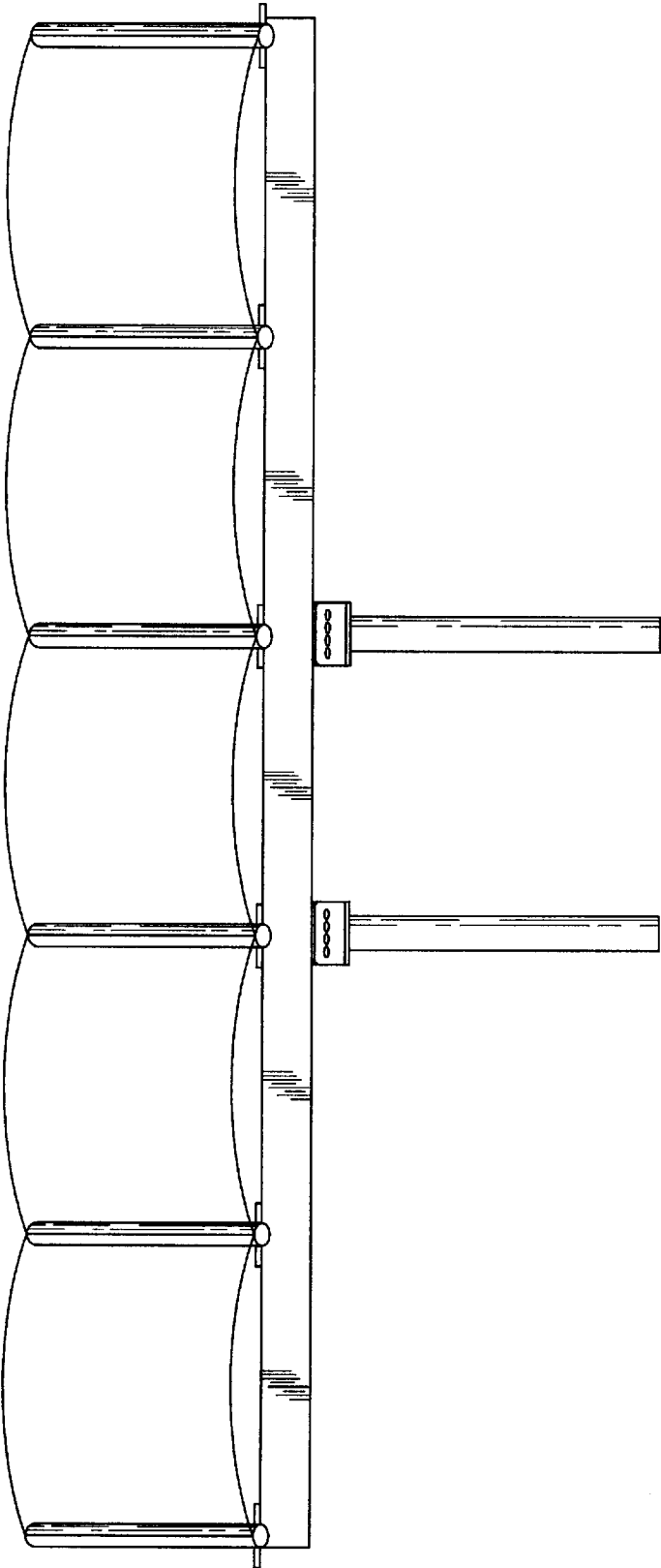


FIG. 3

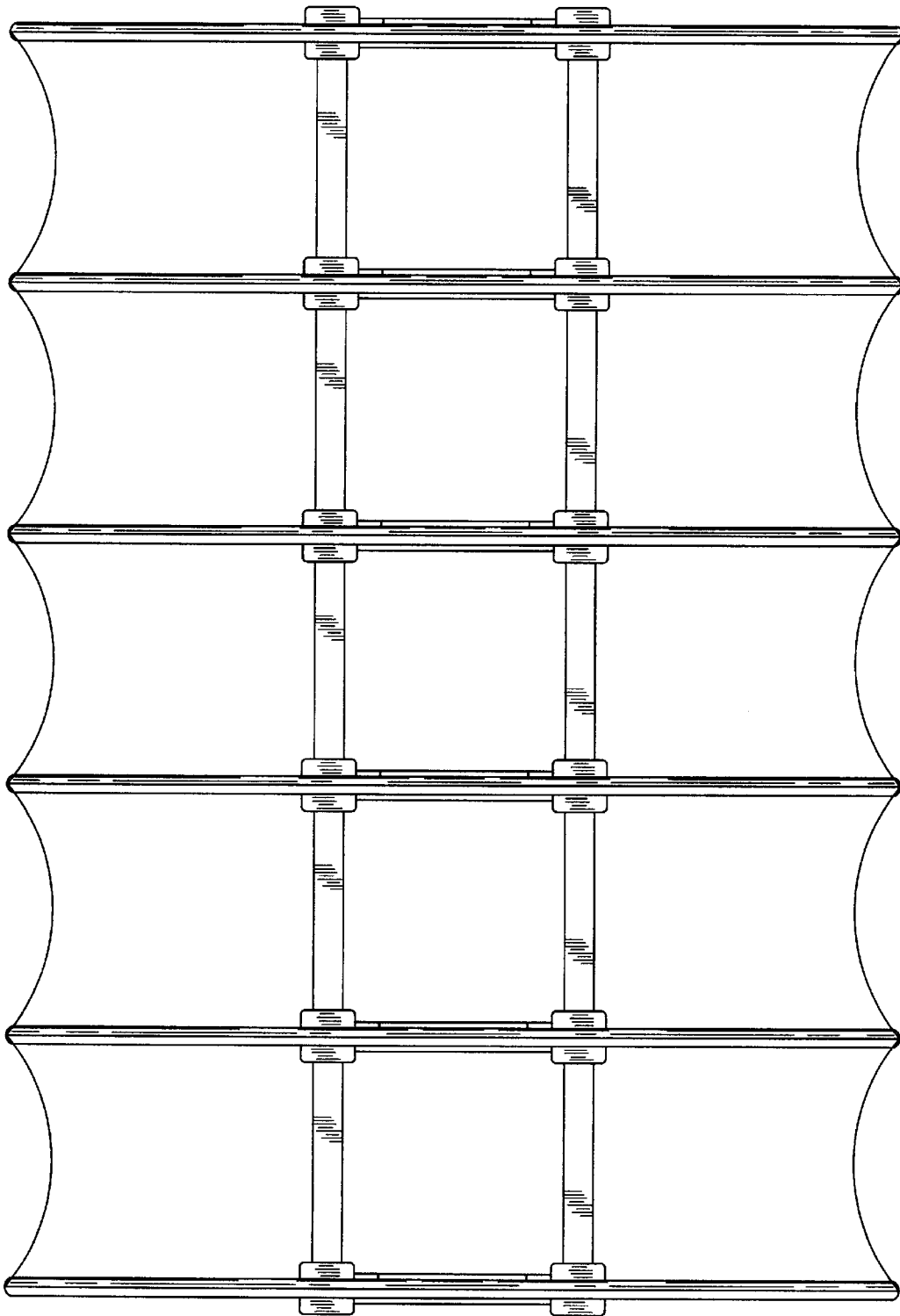


FIG. 4