



US00D971681S

(12) **United States Design Patent** (10) **Patent No.:** **US D971,681 S**
Lefkowitz (45) **Date of Patent:** **** Dec. 6, 2022**

(54) **DECANTER**

(71) Applicant: **LUXURY HOLDINGS LLC,**
Brooklyn, NY (US)

(72) Inventor: **Yisroel Lefkowitz,** Brooklyn, NY (US)

(73) Assignee: **LUXURY HOLDINGS LLC,**
Brooklyn, NY (US)

(**) Term: **15 Years**

(21) Appl. No.: **29/796,799**

(22) Filed: **Jun. 27, 2021**

(51) **LOC (13) Cl.** **07-06**

(52) **U.S. Cl.**
USPC **D7/598**

(58) **Field of Classification Search**
USPC D7/598, 301, 316, 408-409, 505, 550.1,
D7/552.2, 553.2, 554.3, 590, 592, 600.1,
D7/600.3-600.4, 601-602, 619.1, 632;
D6/705, 705.6, 706; D9/761;
D3/304-305; D11/132, 131, 131.1, 133,
D11/140, 146, 155, 157, 164, 184,
D11/143-149, 152
CPC A47F 5/01; A47L 19/04; A47K 3/281;
A47K 1/09; A47B 55/02; A47B 88/90;
A47B 88/40

See application file for complete search history.

(56) **References Cited**

U.S. PATENT DOCUMENTS

D38,503 S	4/1907	oneill	
D42,959 S	9/1912	Cordley	
D116,522 S	9/1939	Scanlon	
D118,158 S	* 12/1939	Keuls	D27/126
D163,932 S	* 7/1951	Byck	D6/309
D184,233 S	* 1/1959	Littlepage	D6/309
D228,720 S	* 10/1973	Cowan	D6/300
D270,511 S	* 9/1983	Friedman	D7/624.1
D271,833 S	* 12/1983	Okada	D11/146
D282,355 S	* 1/1986	Hartzell	D11/132

D283,836 S	*	5/1986	Surber	D13/102
D321,152 S	*	10/1991	Campbell	D11/131
D335,401 S		5/1993	Nations		
D339,830 S	*	9/1993	Adell	D21/371

(Continued)

FOREIGN PATENT DOCUMENTS

CN	304669934	*	6/2018
CN	304916803	*	11/2018
KR	301110424.0000	*	5/2021

OTHER PUBLICATIONS

Whiskey Decanter Set, Evofly, amazon.com, published by Evofly, first available Apr. 14, 2021 © 2021 Amazon.com, Inc., online, site visited Jan. 3, 2022. Available at URL: <https://www.amazon.com/Decanter-Anniversary-Birthday-Boyfriend-Presents/dp/B092HS8CLT> (Year: 2021).*

(Continued)

Primary Examiner — Holly E Thurman
Assistant Examiner — Altaira J Swangin
(74) *Attorney, Agent, or Firm* — Hodgson Russ LLP

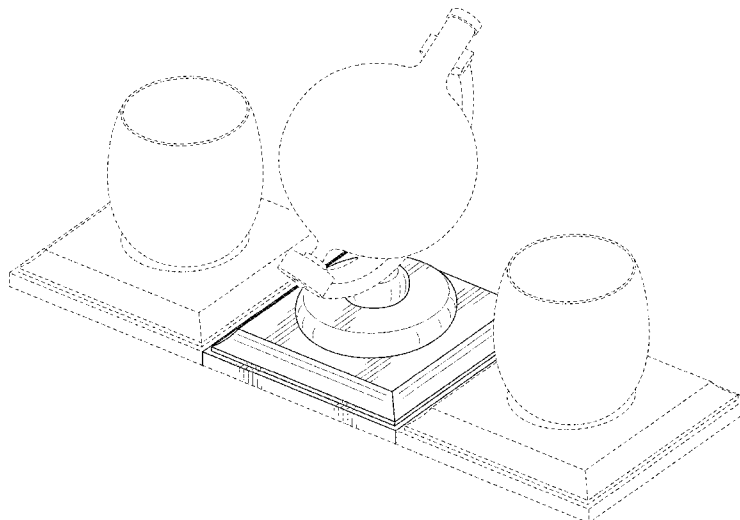
(57) **CLAIM**

The ornamental design for a decanter, as shown and described.

DESCRIPTION

FIG. 1 is a perspective view of a decanter, showing my new design;
FIG. 2 is a front elevation view thereof;
FIG. 3 is a rear elevation view thereof;
FIG. 4 is a left side elevation view thereof;
FIG. 5 is a right side elevation view thereof;
FIG. 6 is a top plan view thereof; and,
FIG. 7 is a bottom plan view thereof.
The broken lines in the figures illustrate portions of the decanter that form no part of the claimed design.

1 Claim, 7 Drawing Sheets



(56)

References Cited

U.S. PATENT DOCUMENTS

D340,880 S * 11/1993 Walton D11/132
 D345,946 S * 4/1994 Palmer D11/131
 D346,761 S * 5/1994 Milam D11/132
 D376,291 S 12/1996 Via
 D392,514 S * 3/1998 Steinfels D7/624.1
 5,899,515 A 5/1999 Burns
 5,928,542 A * 7/1999 Miguelino H05B 3/00
 219/432
 D417,979 S * 12/1999 Evans D6/661
 D439,154 S 3/2001 Alexanco
 6,314,867 B1 * 11/2001 Russell H05B 3/685
 99/275
 D458,967 S 6/2002 Ho
 D472,930 S * 4/2003 Bump D11/131
 7,059,491 B1 * 6/2006 Smith G01N 21/79
 220/62.14
 D552,469 S * 10/2007 Harmon D9/425
 D560,413 S * 1/2008 Stein D7/301
 D570,245 S * 6/2008 McAbee D11/131
 D572,518 S * 7/2008 Venier D7/300
 D583,625 S 12/2008 Martinez
 D608,654 S 1/2010 Young
 D637,445 S * 5/2011 Chung D7/505
 D642,018 S 7/2011 Zamarripa
 D652,680 S * 1/2012 Straka D7/505
 D659,086 S * 5/2012 Grauer D13/102
 D681,384 S * 5/2013 Fitzpatrick A47G 19/12
 D7/300
 D743,205 S 11/2015 Anzalone
 D751,348 S * 3/2016 Smith D7/624.1
 D771,521 S * 11/2016 McDonald D11/164
 D818,321 S * 5/2018 Bodum D7/598
 D820,037 S * 6/2018 Ivankovic A47G 19/265
 D7/391
 D824,263 S 7/2018 Hirschhorn
 D826,640 S 8/2018 Hirschhorn
 D836,022 S * 12/2018 Morris D11/131
 D840,755 S * 2/2019 Kehoe D7/523
 D845,552 S * 4/2019 Bodum D28/91.1
 D851,454 S 6/2019 Lefkowitz

D864,647 S * 10/2019 Larsen D7/319
 D864,743 S 10/2019 Franco
 D874,872 S 2/2020 Godinger
 D877,652 S * 3/2020 Hung D11/152
 D881,651 S 4/2020 Hirschhorn
 D885,107 S * 5/2020 Katsunuma D7/312
 D885,109 S * 5/2020 Katsunuma D7/321
 D885,908 S * 6/2020 Dycus D9/455
 D889,893 S 7/2020 Godinger
 D889,911 S 7/2020 Godinger
 D914,425 S 3/2021 Singh
 11,319,143 B2 * 5/2022 Hung B65D 5/5019

OTHER PUBLICATIONS

Whiskey Decanter and Glasses Barware Set, Godinger, amazon.com, published by Godinger, first available Aug. 9, 2018 © 2021 Amazon.com, Inc., online, site visited Jan. 3, 2022. Available at URL: <https://www.amazon.co.uk/Whiskey-Deccanter-Glasses-Barware-Bourbon/dp/B07GBHW8QY> (Year: 2018).*

Whiskey Decanter Set, H&B Luxuries, amazon.com, published by H&B Luxuries, first available Mar. 15, 2021 © 1996-2022 Amazon.com, Inc., online, site visited Jul. 16, 2022. Available at URL: <https://www.amazon.com/Whiskey-Deccanter-Sets-Globe-Glasses/dp/B08YY8FCJ6> (Year: 2021).*

Empty frosted Glass Globe Refillable Decanter, Stylish Whiskey, stylishwhiskey.com, published by Stylish Whiskey on May 13, 2021 per wayback machine © 2022 Stylish Whiskey, online, site visited Jul. 16, 2022. Available at URL: <https://stylishwhisky.com/products/frosted-glass-globe-refillable-deccanter-with-4-shot-glasses> (Year: 2021).*

Whiskey Globe Decanter, Kemstood, amazon.com, published by Kemstood on May 9, 2017 © 1996-2022 Amazon.com, Inc., online, site visited Jul. 18, 2022. Available at URL: <https://www.amazon.com/Whiskey-Globe-Deccanter-Set-Glasses/dp/B0725H1T85> (Year: 2017).*

12 Inch Antique World Classic Globe, Repogle, amazon.com, published by Repogle, first available on May 10, 2021 © 1996-2022 Amazon.com, Inc., online, site visited Jul. 20, 2022. Available at URL: <https://www.amazon.com/Repogle-Antique-Two-Side-Laminated-Diameter/dp/B094JZ8KHJ> (Year: 2021).*

* cited by examiner

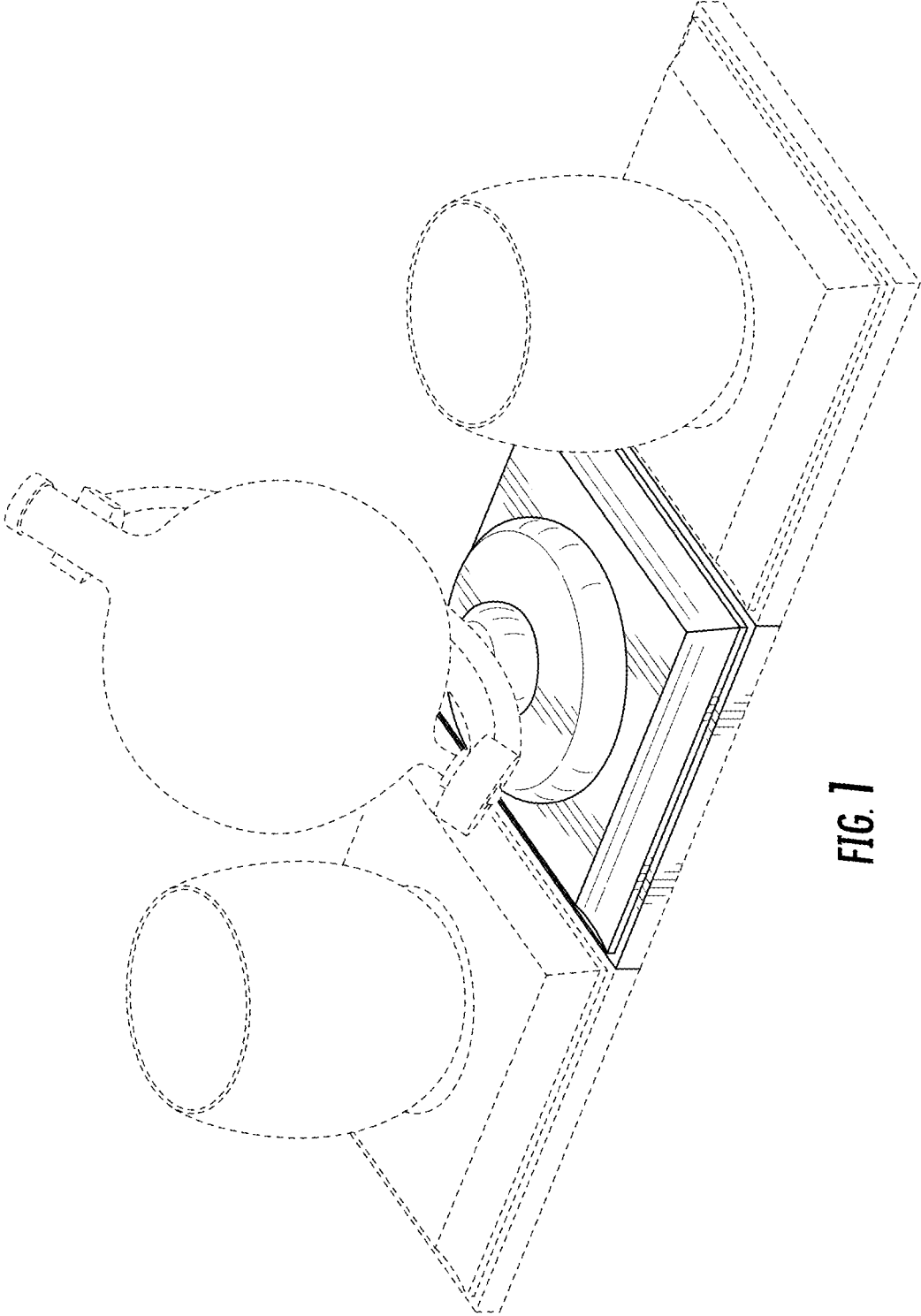


FIG. 1

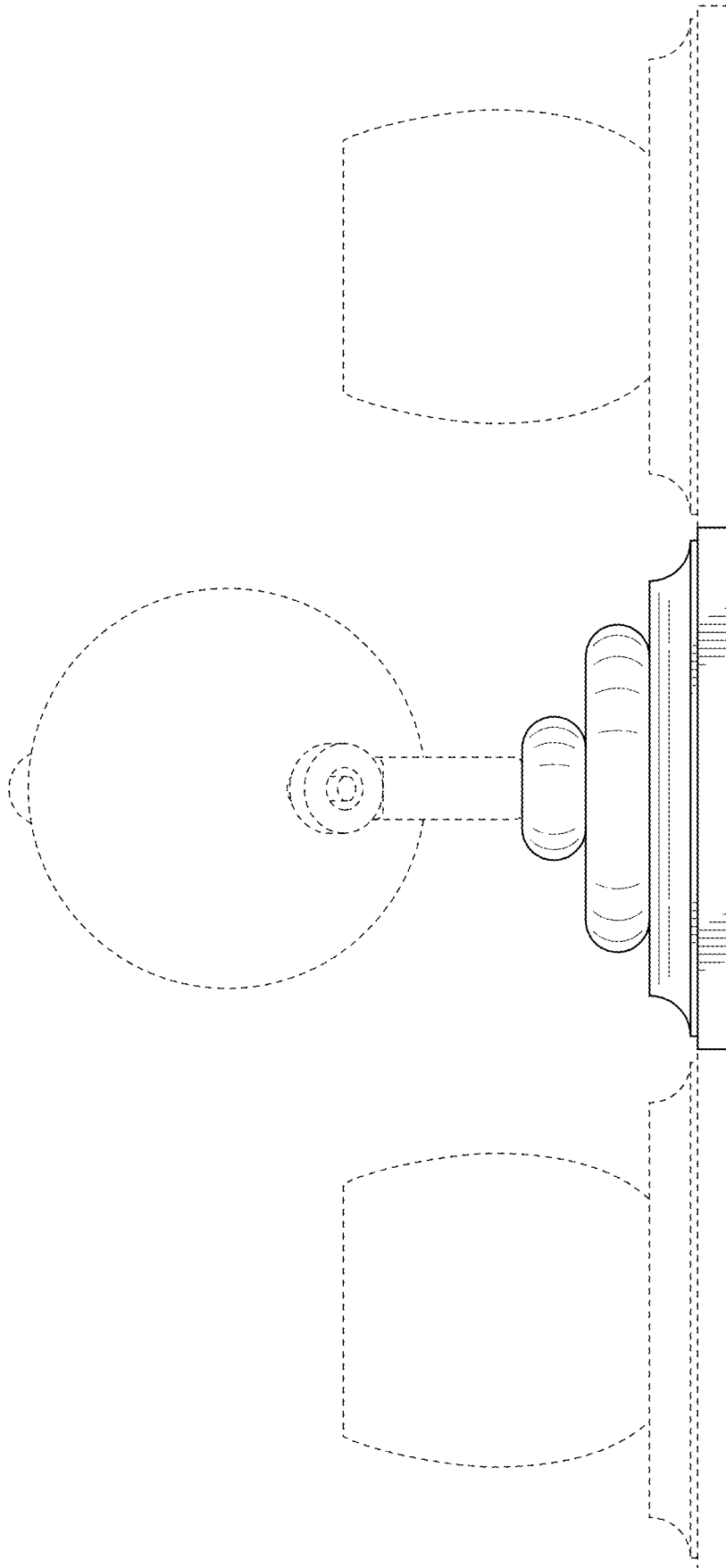


FIG. 2

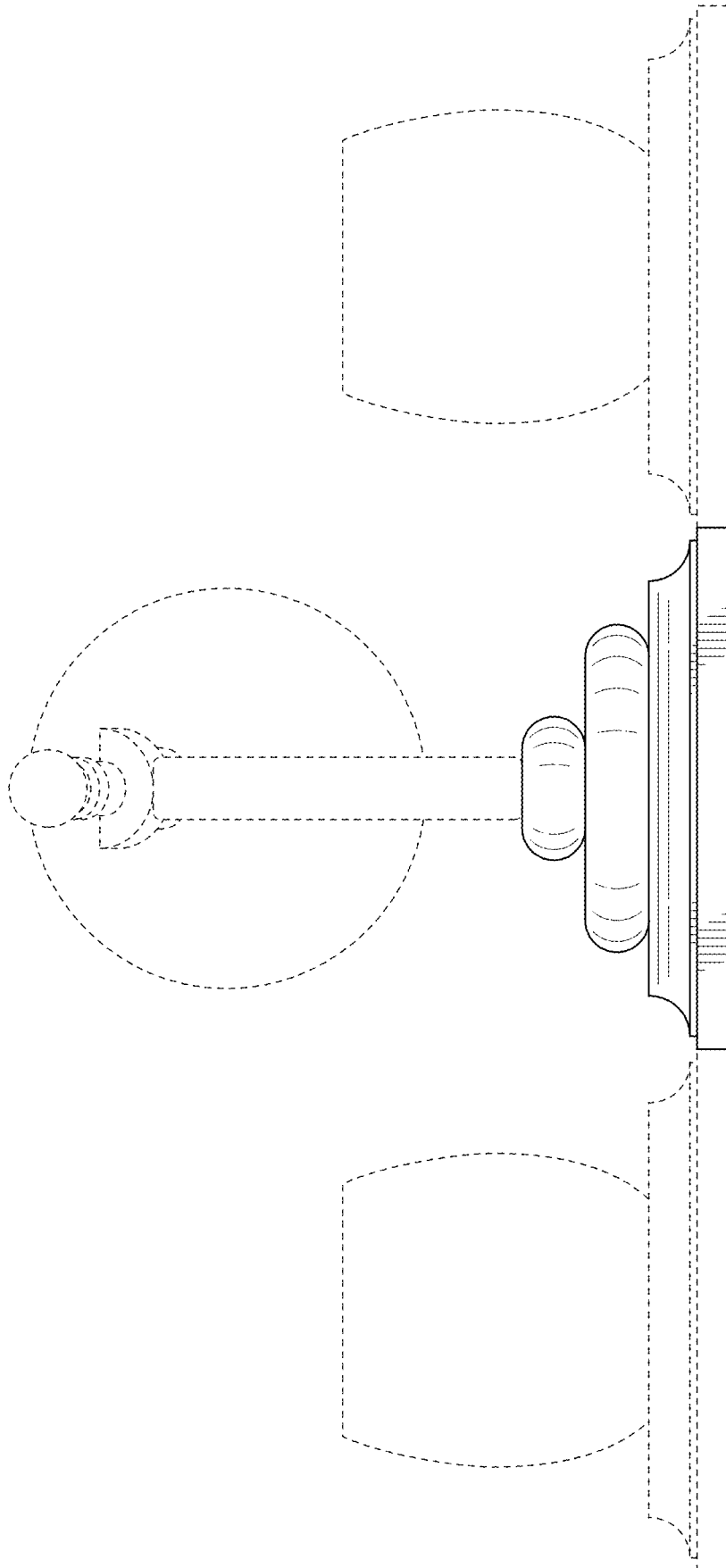


FIG. 3

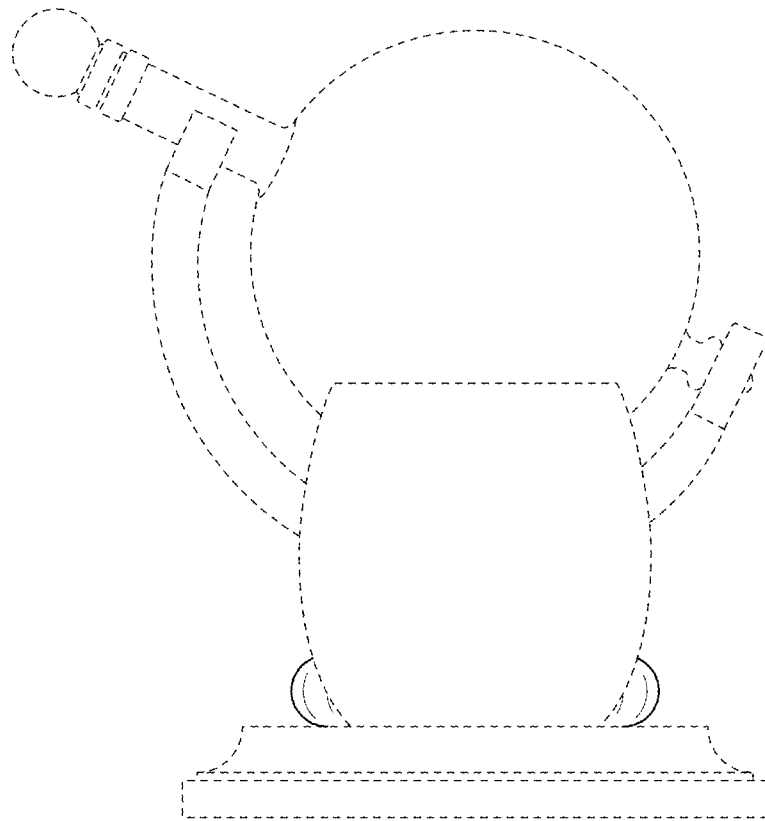


FIG. 4

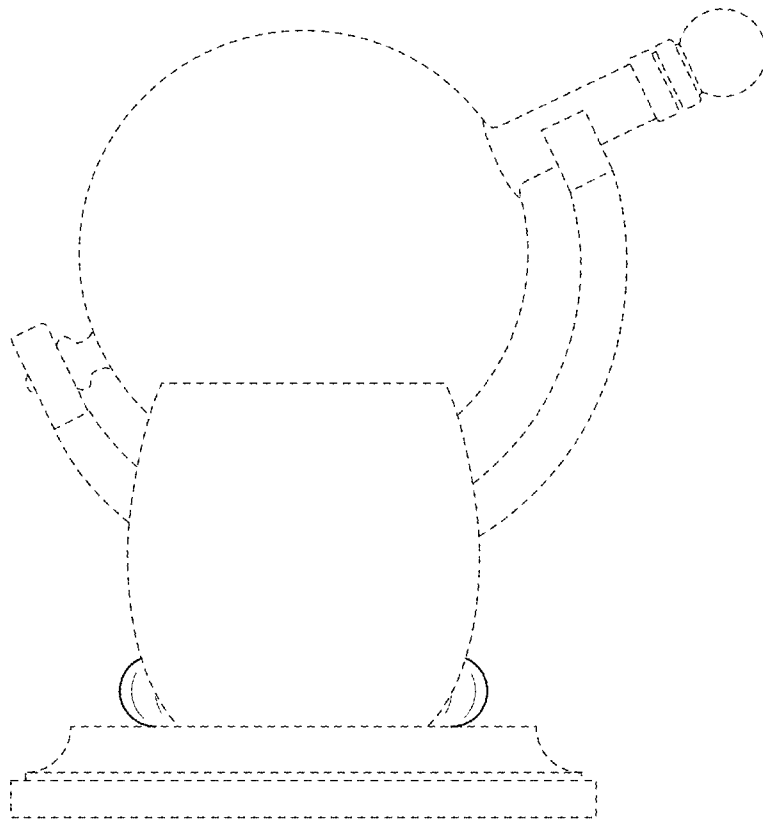


FIG. 5

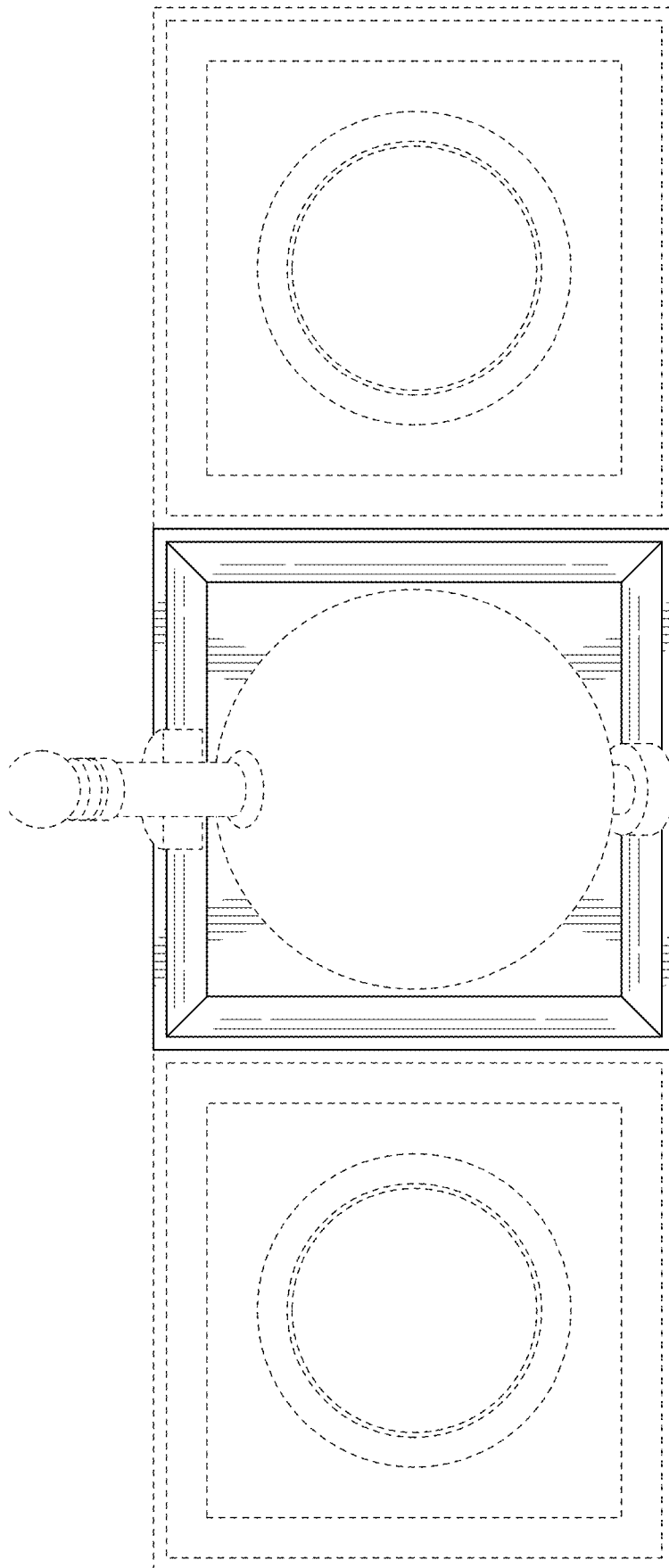


FIG. 6

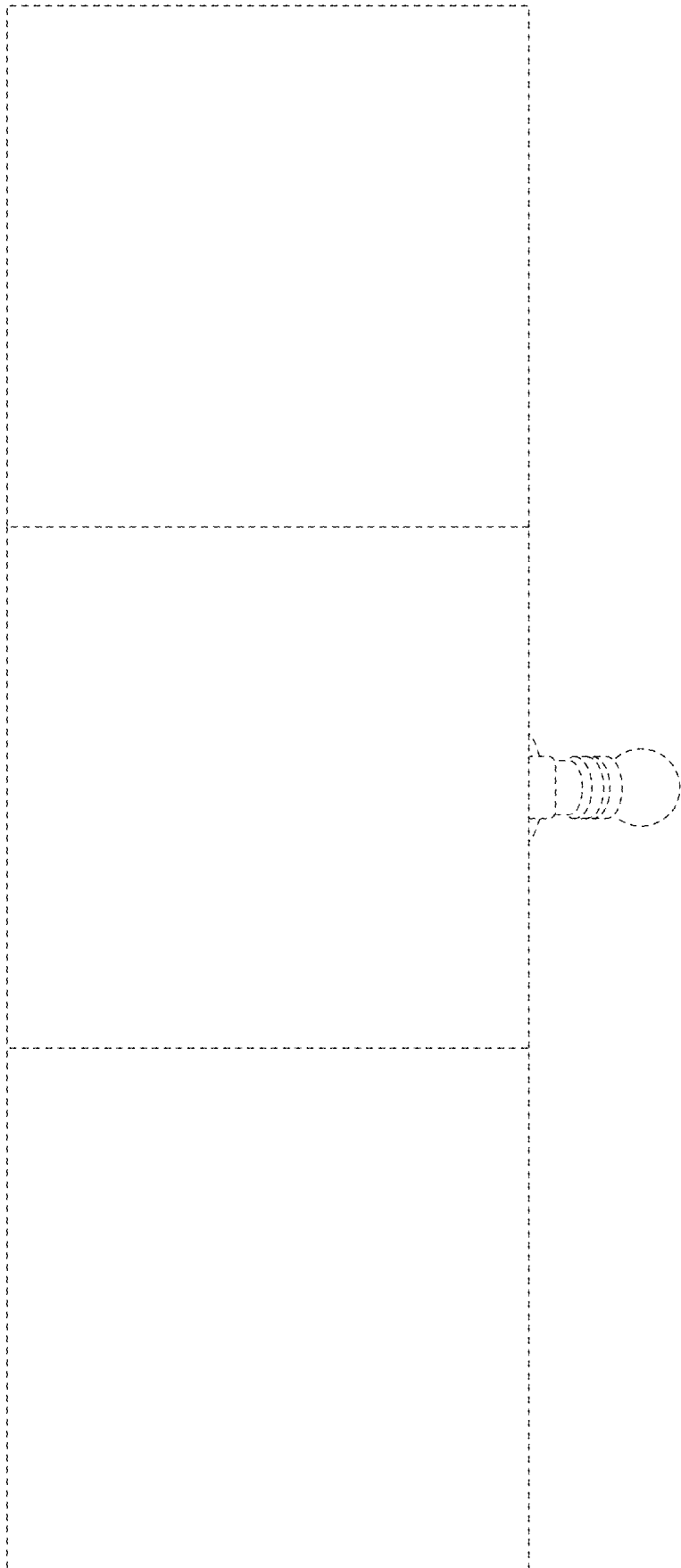


FIG. 7