



US00D828503S

(12) **United States Design Patent**  
**Schoenherr et al.**

(10) **Patent No.:** **US D828,503 S**

(45) **Date of Patent:** **\*\* \*Sep. 11, 2018**

(54) **FAUCET**

(71) Applicant: **HANSGROHE SE**, Schiltach (DE)

(72) Inventors: **Tom Schoenherr**, Stuttgart (DE);  
**Andreas Diefenbach**,  
Ludwigsburg-Oßweil (DE); **Yunwei**  
**Zhu**, Stuttgart (DE)

(73) Assignee: **Hansgrohe SE**, Schiltach (DE)

(\* ) Notice: This patent is subject to a terminal disclaimer.

(\*\*) Term: **15 Years**

(21) Appl. No.: **29/586,670**

(22) Filed: **Dec. 6, 2016**

(30) **Foreign Application Priority Data**

Jun. 8, 2016 (EM) ..... 003180363-0011

(51) **LOC (11) Cl.** ..... **23-01**

(52) **U.S. Cl.**  
USPC ..... **D23/238**

(58) **Field of Classification Search**  
USPC ..... D23/238, 241–243, 249–250, 252,  
D23/254–255, 257; D8/307–308  
CPC ..... Y10T 137/9464  
See application file for complete search history.

(56) **References Cited**

**U.S. PATENT DOCUMENTS**

D517,169 S \* 3/2006 Ogata ..... D23/238  
D635,650 S 4/2011 Schoenherr et al.

D645,938 S \* 9/2011 Ando ..... D23/238  
D700,956 S \* 3/2014 Schoenherr ..... D23/238  
D757,223 S \* 5/2016 Schoenherr ..... D23/238  
D760,354 S \* 6/2016 Citterio ..... D23/238  
D760,355 S \* 6/2016 Citterio ..... D23/238  
D762,820 S \* 8/2016 Schoenherr ..... D23/238  
D767,721 S \* 9/2016 Yoshioka ..... D23/238

**FOREIGN PATENT DOCUMENTS**

CN 302394237 4/2013  
EM 002143552-0001 11/2012  
EM 002625244-0004 2/2015

\* cited by examiner

*Primary Examiner* — Robert A Delehanty

(74) *Attorney, Agent, or Firm* — Lora J. Graentzdoerffer

(57) **CLAIM**

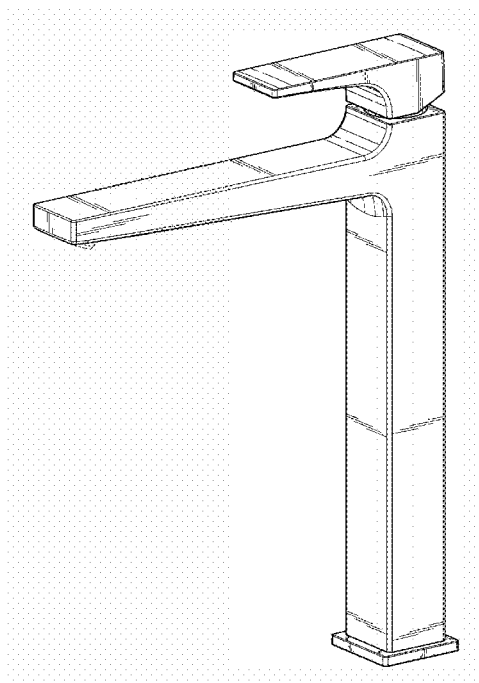
The ornamental design for a faucet, as shown and described.

**DESCRIPTION**

FIG. 1 is a perspective view of a faucet showing our design;  
FIG. 2 is a front elevation view;  
FIG. 3 is a rear elevation view;  
FIG. 4 is a right side elevation view;  
FIG. 5 is a left side elevation view;  
FIG. 6 is a top plan view; and,  
FIG. 7 is a bottom plan view.

The broken-line disclosure in the view represents a portion of the faucet in which the claimed design is embodied, but which forms no part of the claimed design.

**1 Claim, 7 Drawing Sheets**



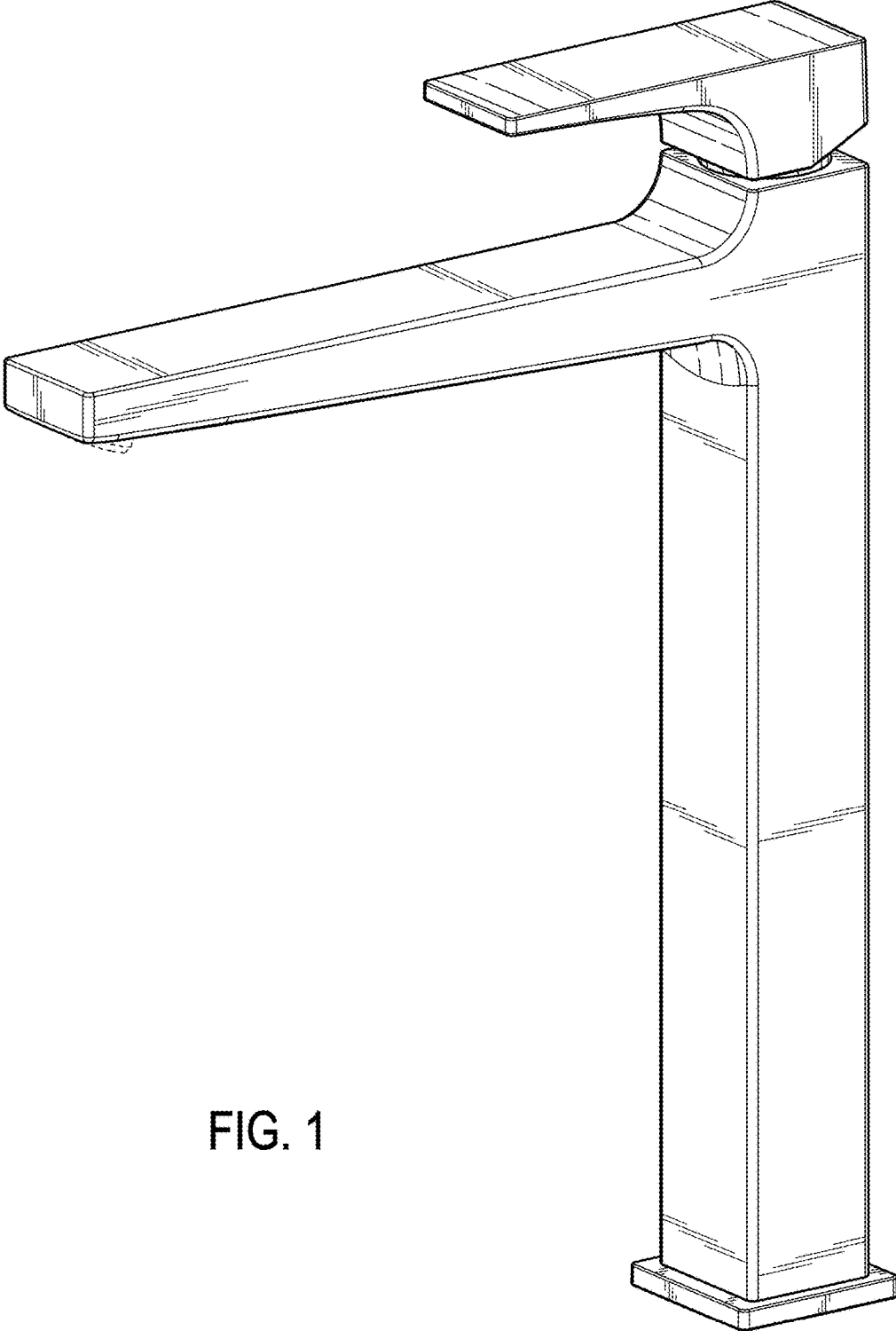


FIG. 1

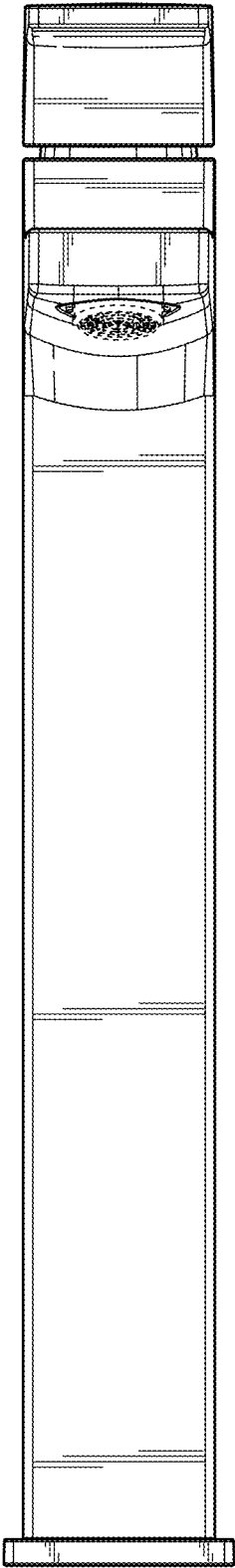


FIG. 2

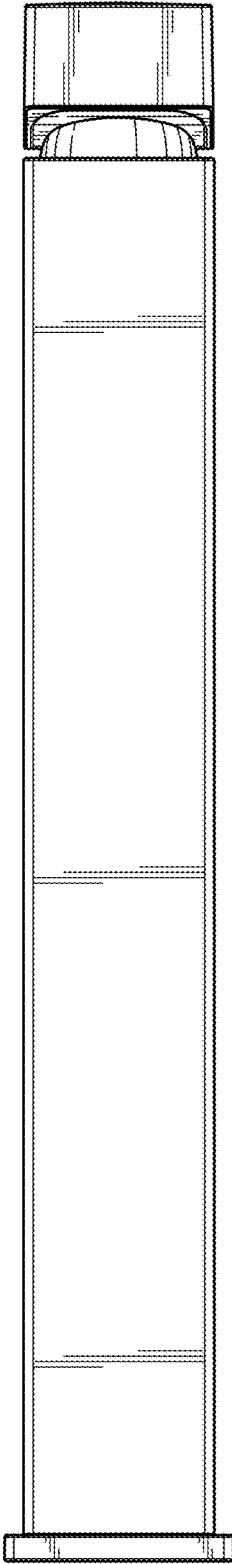


FIG. 3

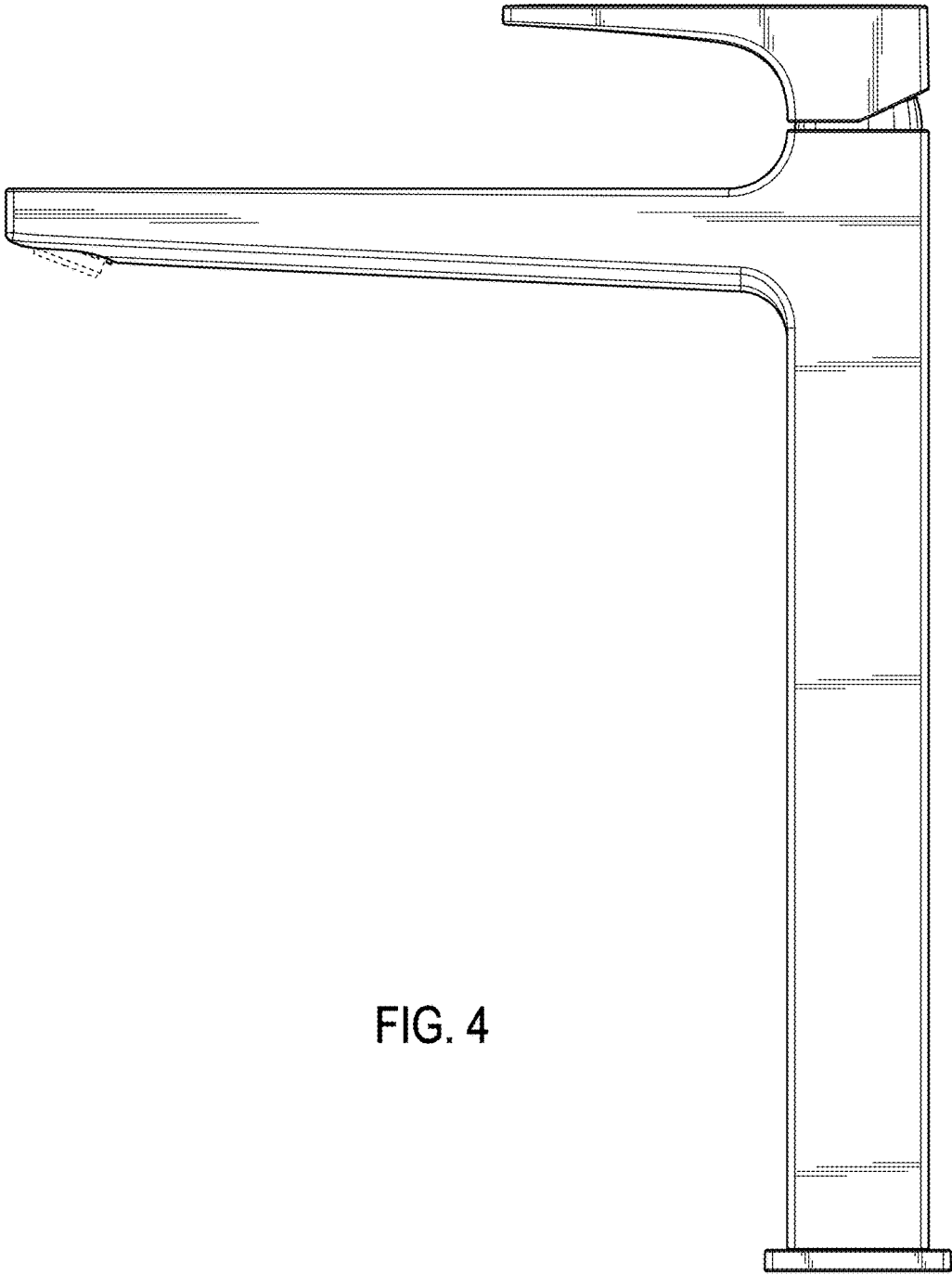


FIG. 4

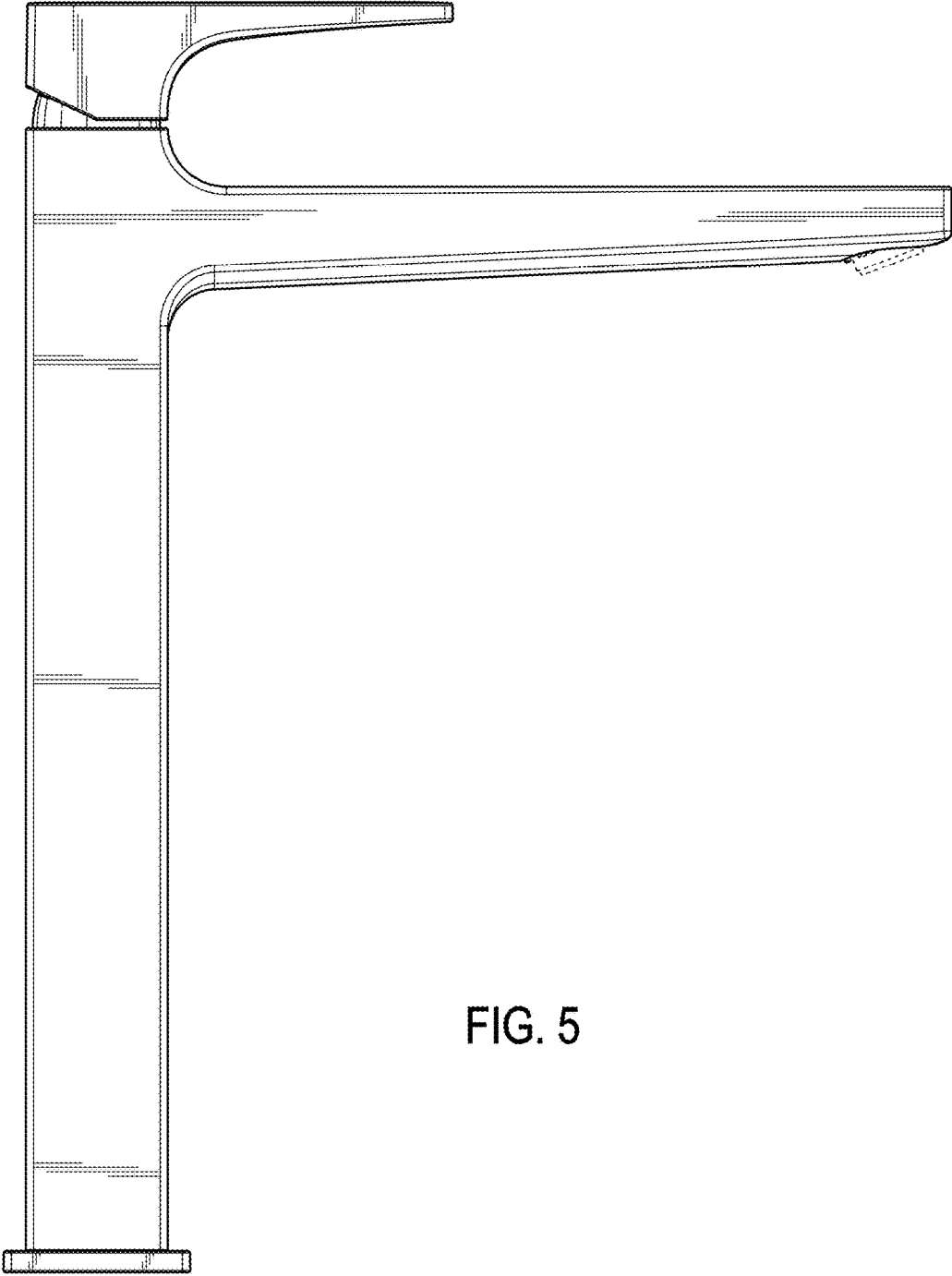


FIG. 5

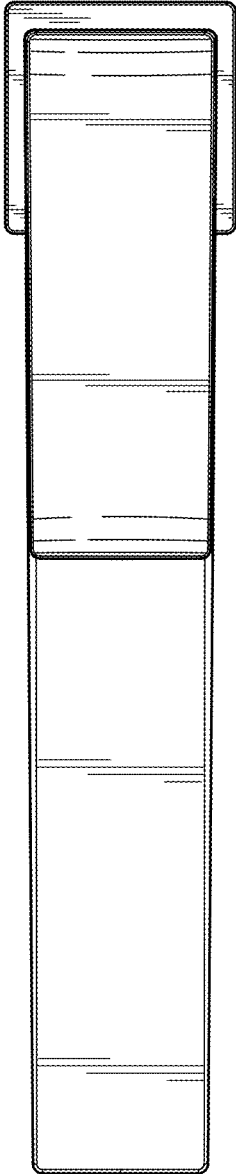


FIG. 6

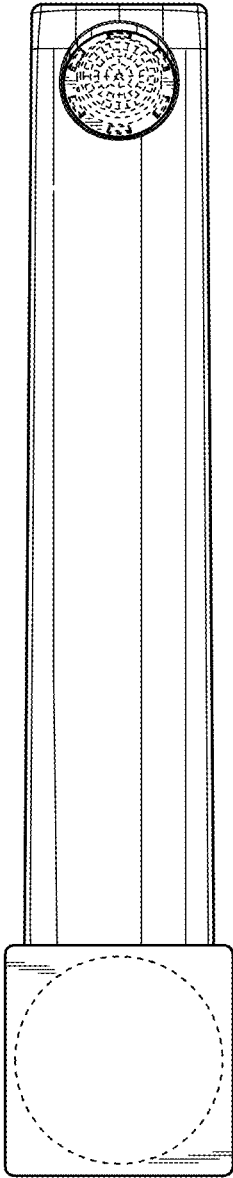


FIG. 7