



US00D990467S

(12) **United States Design Patent**
Schoeck et al.

(10) **Patent No.:** **US D990,467 S**

(45) **Date of Patent:** **** Jun. 27, 2023**

(54) **COMPUTING DEVICE**

FOREIGN PATENT DOCUMENTS

(71) Applicant: **Microsoft Corporation**, Redmond, WA
(US)

WO	D207265-001	10/2020
WO	D207265-003	10/2020
WO	D207265-004	10/2020

(72) Inventors: **Kaitlyn Schoeck**, Seattle, WA (US);
Lynda Horton-Jones, Kirkland, WA
(US)

OTHER PUBLICATIONS

Acer ConceptD 3 Ezel CC314-72G-72SX Convertible Creator Laptop, www.amazon.com, Jul. 27, 2020. <https://www.amazon.com/ConceptD-CC314-72G-72SX-Convertible-i7-10750H-Validated/dp/B0891RM7DM> (Year: 2020).*

(Continued)

(73) Assignee: **Microsoft Corporation**, Redmond, WA
(US)

(**) Term: **15 Years**

Primary Examiner — Llorelys Martinez

Assistant Examiner — Kwabena A. Ankobiah

(21) Appl. No.: **29/808,764**

(74) *Attorney, Agent, or Firm* — Banner & Witcoff, Ltd.

(22) Filed: **Sep. 22, 2021**

(51) **LOC (14) Cl.** **14-02**

(57) **CLAIM**

(52) **U.S. Cl.**

The ornamental design for a computing device, as shown and described.

USPC **D14/327**

(58) **Field of Classification Search**

DESCRIPTION

USPC D14/315, 342, 345, 376, 432, 433, 439,
D14/447, 346; D18/12.2, 12.3; D8/323,
D8/325; D20/43

FIG. 1 is a front perspective view of a computing device showing our new design;
FIG. 2 is a front view thereof;
FIG. 3 is a rear view thereof;
FIG. 4 is a right side view thereof;
FIG. 5 is another right side view thereof, showing surrounded portion 9 shown in FIG. 9;
FIG. 6 is a left side view thereof;
FIG. 7 is a top view thereof;
FIG. 8 is a bottom view thereof;
FIG. 9 is an enlarged view thereof, taken from surrounded portion labeled as 9 in FIG. 5;
FIG. 10 is a bottom perspective view thereof; and,
FIG. 11 is a right side perspective view thereof.

CPC G06F 1/1616; G06F 1/1618; G06F 1/1641;
G06F 1/1643; G06F 1/1654; G06F
1/1637; G06F 1/1681; G06F 1/16; G06F
3/041; G06F 3/0412; G06F 3/0416; G06F
3/0488; G06F 3/04883; G06F 3/04886

See application file for complete search history.

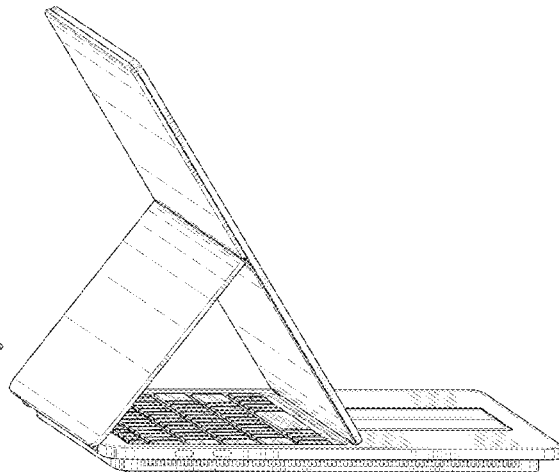
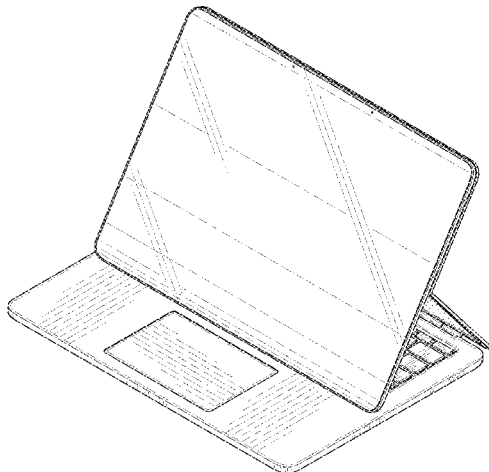
(56) **References Cited**

U.S. PATENT DOCUMENTS

D611,045 S	3/2010	Andre et al.
D662,100 S	6/2012	Van Den Nieuwenhuizen et al.
D678,272 S	3/2013	Groene et al.
D678,877 S	3/2013	Groene et al.
D688,237 S	8/2013	Paulhac et al.
D697,063 S	1/2014	Lee et al.

(Continued)

(Continued)



and 9 are included to show a partially enlarged view only and form no part of the claimed design.

1 Claim, 11 Drawing Sheets

(56)

References Cited

U.S. PATENT DOCUMENTS

D709,490	S *	7/2014	Lee	D14/315
D713,402	S	9/2014	Akana et al.		
D721,698	S *	1/2015	Lee	D14/316
D727,310	S	4/2015	Senatori		
D737,269	S	8/2015	Motoishi et al.		
D773,454	S	12/2016	Akana et al.		
D775,623	S	1/2017	Akana et al.		
D780,174	S *	2/2017	Park	G06F 1/166 D14/341
D786,236	S *	5/2017	Roberts	D14/315
D789,356	S *	6/2017	Cebe	D14/315
9,769,293	B2 *	9/2017	Gu	G06F 1/1626
D801,333	S *	10/2017	Hong	D14/345
D811,390	S *	2/2018	Kim	D14/345
D820,251	S	6/2018	Wang et al.		
D820,829	S	6/2018	Wang et al.		
D826,923	S	8/2018	Lee et al.		
D826,924	S	8/2018	Lee et al.		
D826,926	S	8/2018	Lee et al.		
D826,927	S	8/2018	Lee et al.		
D827,633	S	9/2018	Wang et al.		
D833,429	S	11/2018	Groene et al.		
D837,202	S	1/2019	Lee et al.		
D890,747	S	7/2020	Lee et al.		
D904,396	S	12/2020	Lim et al.		
D916,077	S	4/2021	Wang et al.		
D916,078	S	4/2021	Akana et al.		
D916,696	S	4/2021	Yang et al.		
D922,972	S	6/2021	Park et al.		
D927,482	S	8/2021	Suzuki		
D950,548	S	5/2022	Eguchi et al.		
D953,321	S	5/2022	Hsu et al.		
D958,145	S *	7/2022	Cai	D14/440
D960,149	S	8/2022	Eguchi et al.		
D960,154	S *	8/2022	Akana	D14/345
D962,938	S	9/2022	Escolin et al.		
D966,272	S	10/2022	Chan		
D967,814	S	10/2022	Escolin et al.		
2021/0191470	A1 *	6/2021	Schoeck	G06F 1/166

OTHER PUBLICATIONS

Apple's expensive new Magic Keyboard case makes the iPad Pro feel more like a laptop replacement than ever before, [www.businessinsider.com](https://www.businessinsider.com/guides/tech/apple-magic-keyboard-ipad-pro-review), Aug. 13, 2020. <https://www.businessinsider.com/guides/tech/apple-magic-keyboard-ipad-pro-review> (Year: 2020).*
Microsoft Surface Laptop Studio, [www.amazon.com](https://www.amazon.com/Microsoft-Surface-Laptop-Studio-Touchscreen/dp/B09F8XX4NS), Sep. 22, 2021. <https://www.amazon.com/Microsoft-Surface-Laptop-Studio-Touchscreen/dp/B09F8XX4NS> (Year: 2021).*

Apple iPad Pro review: New screen, 5G and M1 chip, but FYI it's still not a Mac, [www.cnet.com](https://www.cnet.com/tech/computing/apple-ipad-pro-review-new-screen-5g-and-m1-chip-but-fyi-its-still-not-a-mac/), May 19, 2021. <https://www.cnet.com/tech/computing/apple-ipad-pro-review-new-screen-5g-and-m1-chip-but-fyi-its-still-not-a-mac/> (Year: 2021).*

"Office Action Issued in Japanese Patent Application No. 2022-005718", dated Apr. 21, 2022, 5 Pages.

"Office Action Issued in Indian Patent Application No. 361004-001", dated Apr. 28, 2022, 2 Pages.

"Office Action Issued in Issued Patent Application No. 361003-001", dated May 9, 2022, 2 Pages.

"Office Action Issued in Indian Patent Application No. 361005-001", dated May 12, 2022, 2 Pages.

"Office Action Issued in Indian Patent Application No. 361006-001", dated Apr. 27, 2022, 2 Pages.

"Notice of Allowance Issued in Japanese Patent Application No. 2022-005720", dated Jun. 29, 2022, 6 Pages.

"Notice of Allowance Issued in Japanese Patent Application No. 2022-005727", dated Jun. 29, 2022, 4 Pages.

"Notice of Allowance Issued in Japanese Patent Application No. 2022-005728", dated Jun. 29, 2022, 6 Pages.

"Notice of Allowance Issued in Japanese Patent Application No. 2022-005719", dated Jun. 29, 2022, 6 Pages.

"HP 14-inch Chromebook HD Touchscreen Laptop PC (Intel Celeron N3350 up to 2.4GHz, 4GB RAM, 32GB Flash Memory, WiFi, HD Camera, Bluetooth, Up to 10 hrs Battery Life, Chrome OS, Black)", Retrieved from: <https://www.amazon.com/HP-14-inch-Chromebook-Touchscreen-Bluetooth/dp/B07L52KX7B>, Dec. 5, 2018, 10 Pages.

"Microsoft Surface Laptop Go 12.4" Touchscreen Laptop PC, Intel Quad-Core i5-1035G1, 4GB RAM, 64GB eMMC, Webcam, Win 10, Bluetooth, Online Class Ready—Platinum", Retrieved from: <https://www.amazon.com/Microsoft-Touchscreen-Quad-Core-i5-1035G1-Bluetooth/dp/B08LF3ZQBL>, Oct. 19, 2020, 10 Pages.

Tracy, Phillip, "Magic Keyboard for iPad Pro Review", Retrieved from: <https://www.laptopmag.com/reviews/magic-keyboard-for-ipad-pro-review>. May 17, 2020, 10 Pages.

"Office Action Issued in Japanese Patent Application No. 2022-015580", dated Oct. 25, 2022, 5 Pages.

"Ex Parte Quayle Action Issued in U.S. Appl. No. 29/808,760", dated Nov. 7, 2022, 7 Pages.

"Ex Parte Quayle Action Issued in U.S. Appl. No. 29/808,761", dated Nov. 7, 2022, 7 Pages.

"Non Final Office Action Issued in U.S. Appl. No. 29/808,770", dated Nov. 8, 2022, 7 Pages.

"Microsoft Surface Go (Intel Pentium Gold, 4GB RAM, 64GB)", Retrieved from: <https://www.amazon.com/Microsoft-Surface-Intel-Pentium-Gold/dp/B07FKVTPC2?th=1>, Jul. 13, 2018, 9 Pages.

"Microsoft Surface Go 3-10.5" Touchscreen—Intel® Core™ i3—8GB Memory—128GB SSD—LTE—Device Only—Black (Latest Model)", Retrieved from: <https://www.amazon.com/Microsoft-Surface-Go-3-10-5-Touchscreen/dp/B09L3T9Q5S?th=1>, Sep. 22, 2021, 9 Pages.

"Microsoft Surface Pro 8-13" Touchscreen—Intel® Core™ i5-8GB Memory—128GB SSD—Device Only—Platinum (Latest Model)", Retrieved from: <https://www.amazon.com/Microsoft-Surface-Pro-8-13-Touchscreen/dp/B09DKHYLSH>, Sep. 22, 2021, 10 Pages.

"Ex Parte Quayle Action Issued in U.S. Appl. No. 29/808,758", dated Nov. 7, 2022, 8 Pages.

* cited by examiner

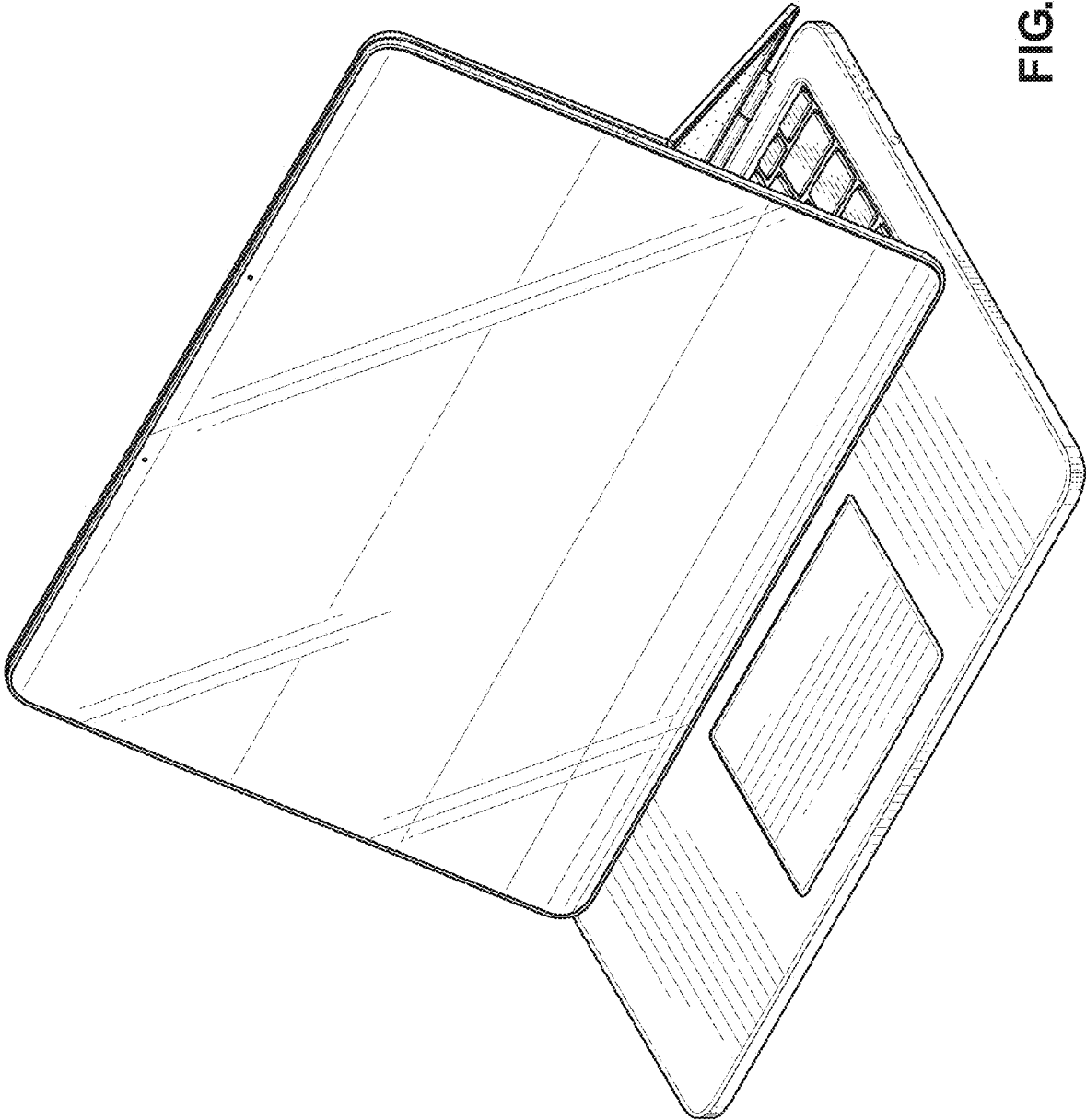


FIG. 1

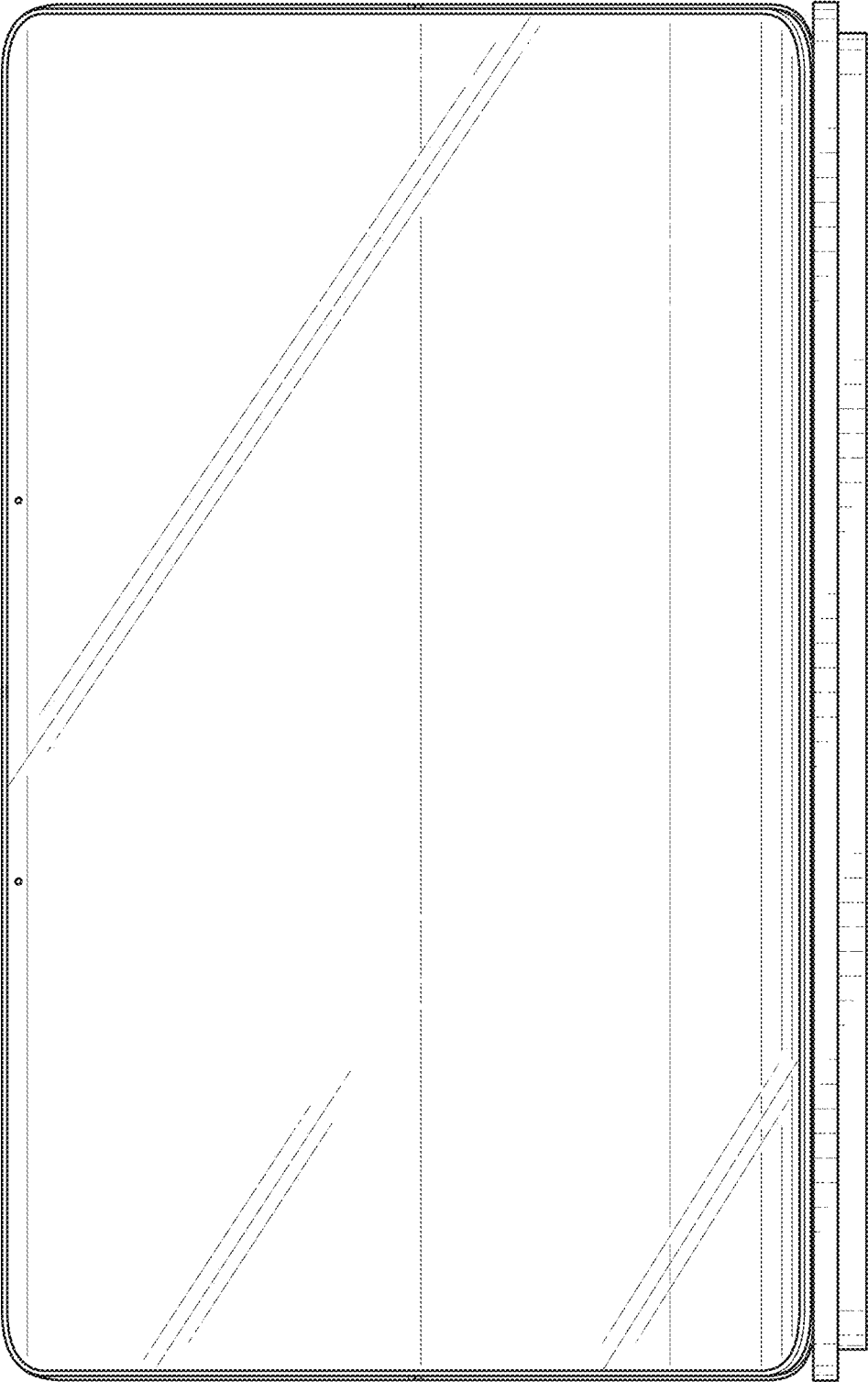


FIG. 2

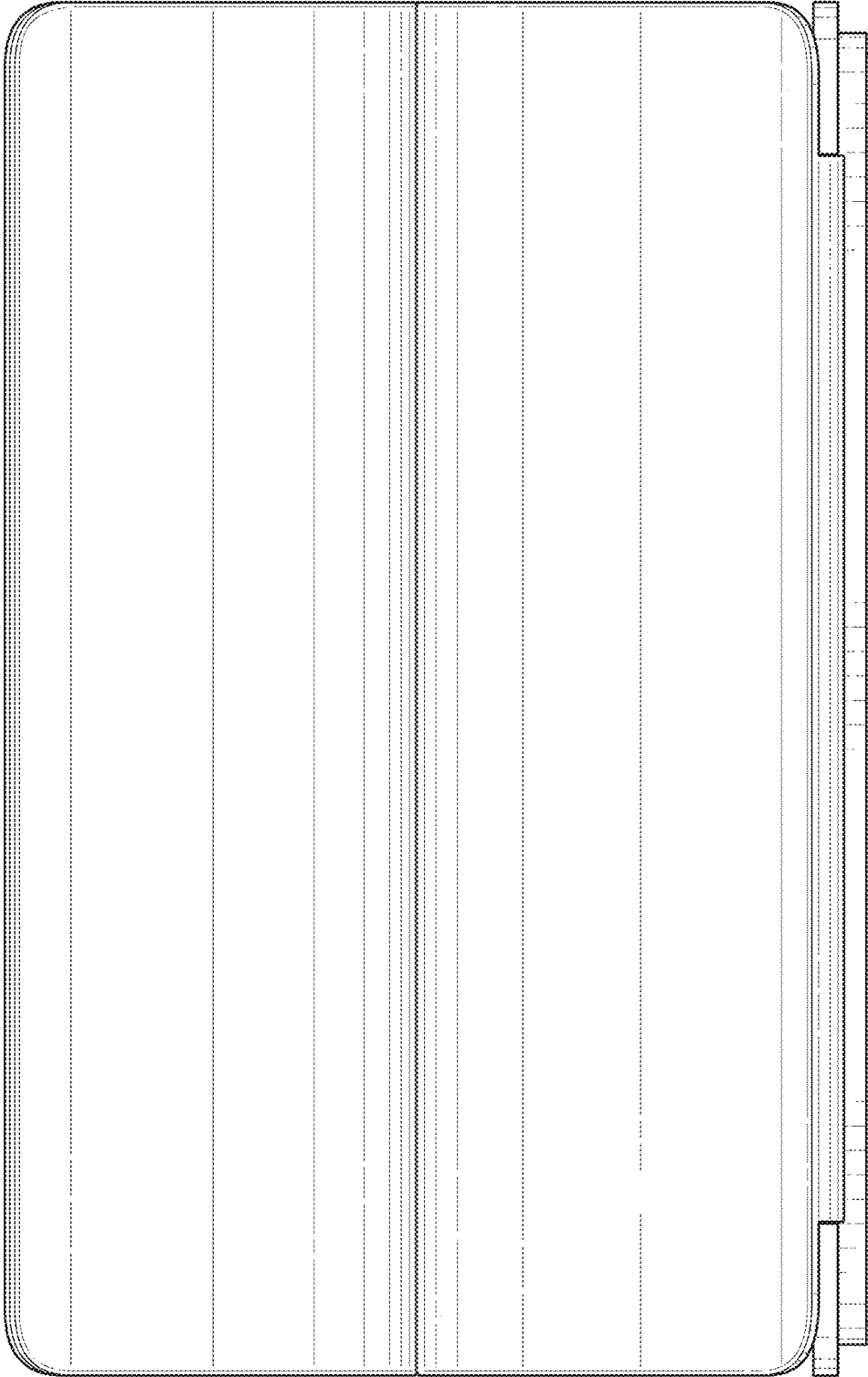


FIG. 3

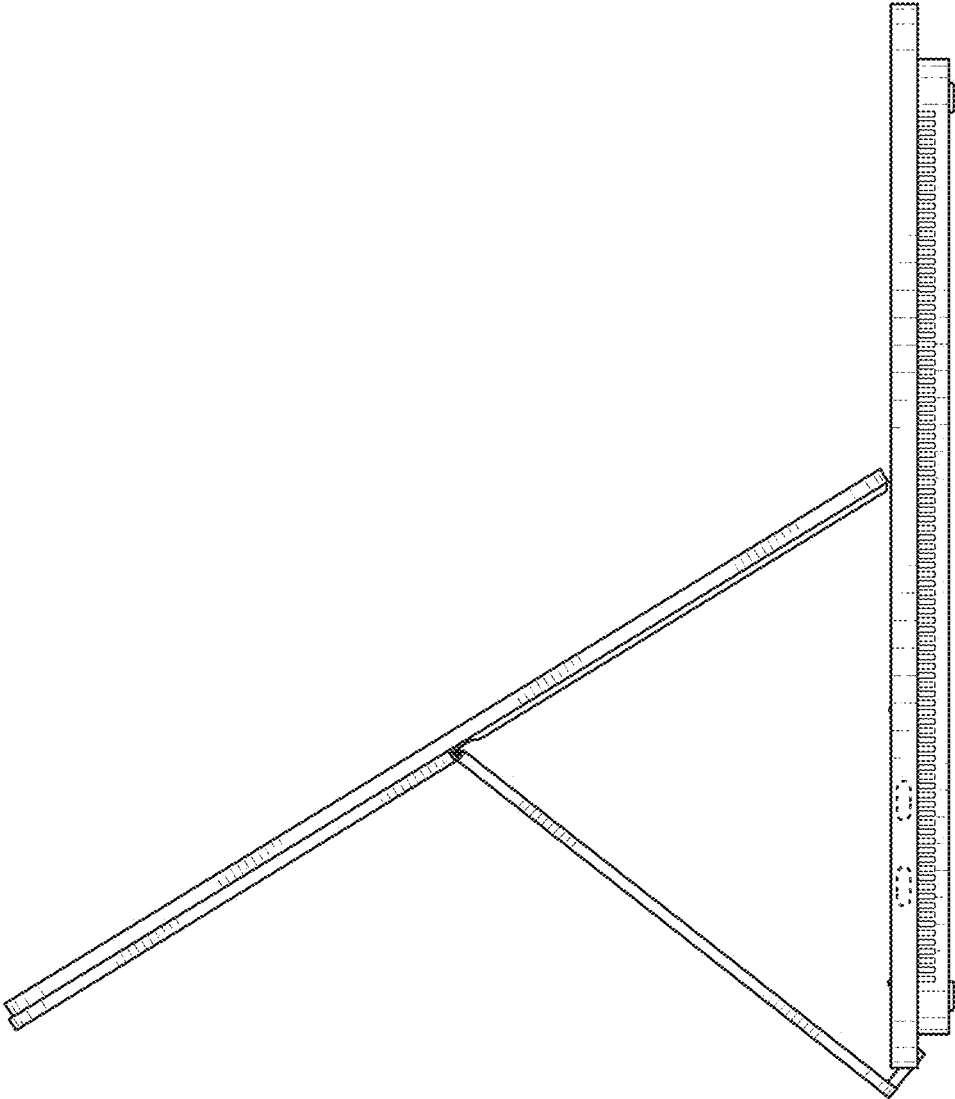


FIG. 4

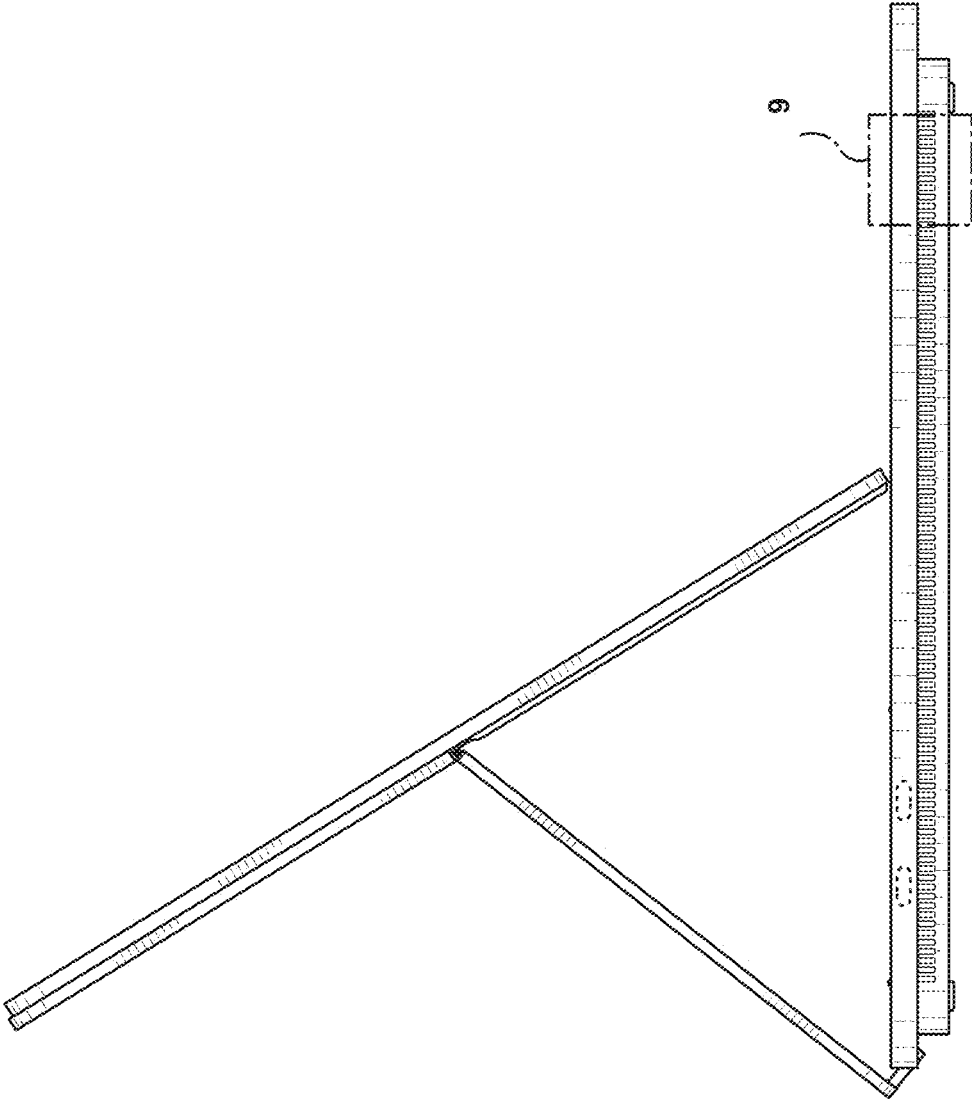


FIG. 5

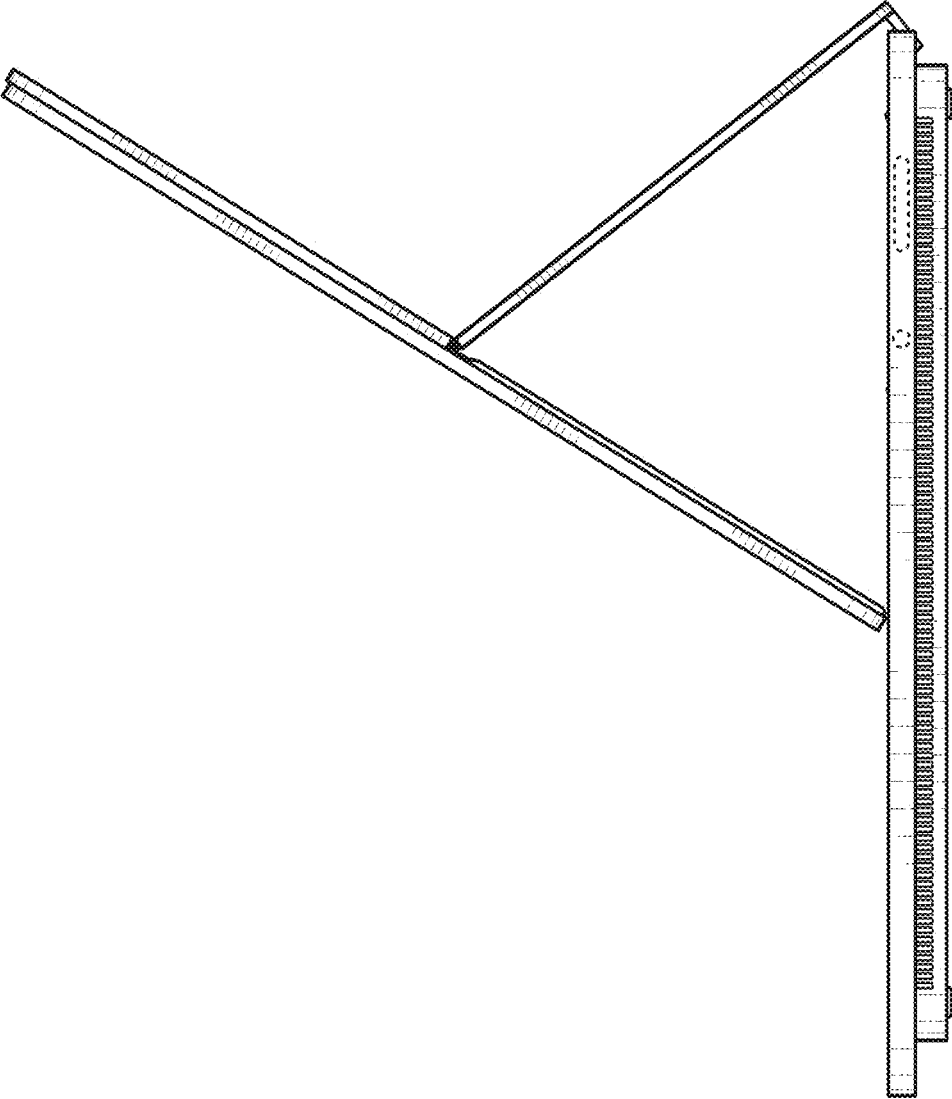


FIG. 6

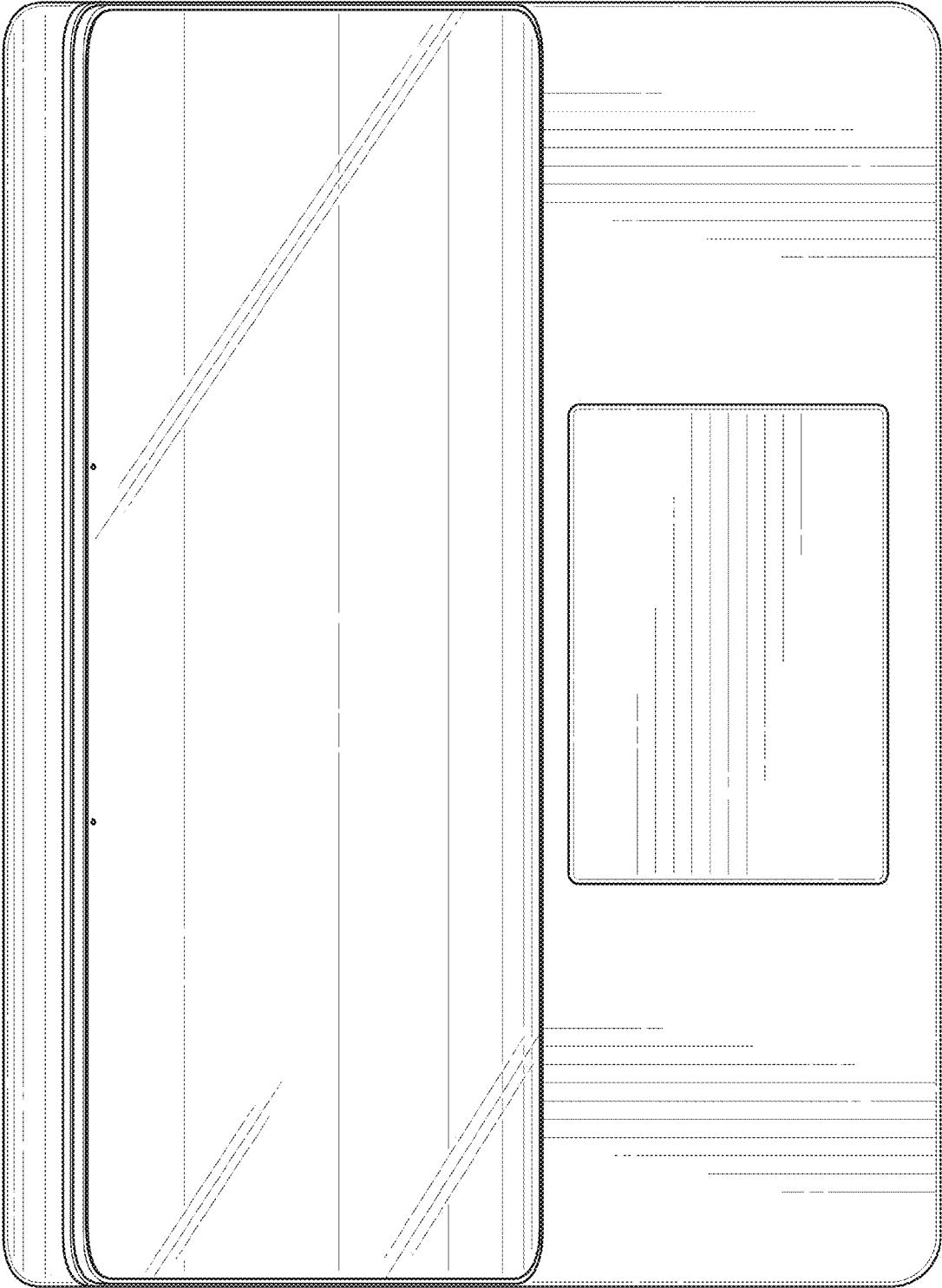


FIG. 7

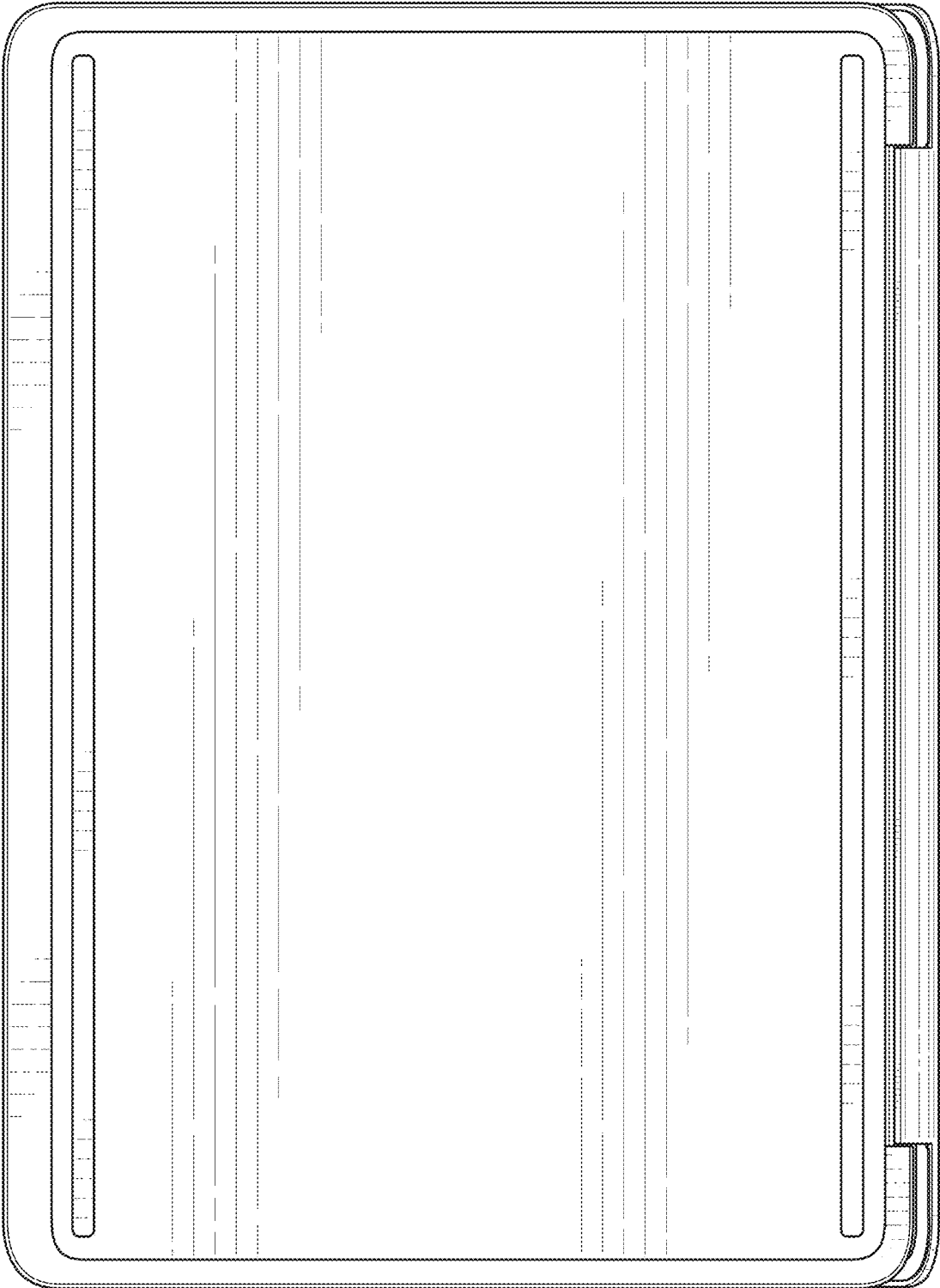


FIG. 8

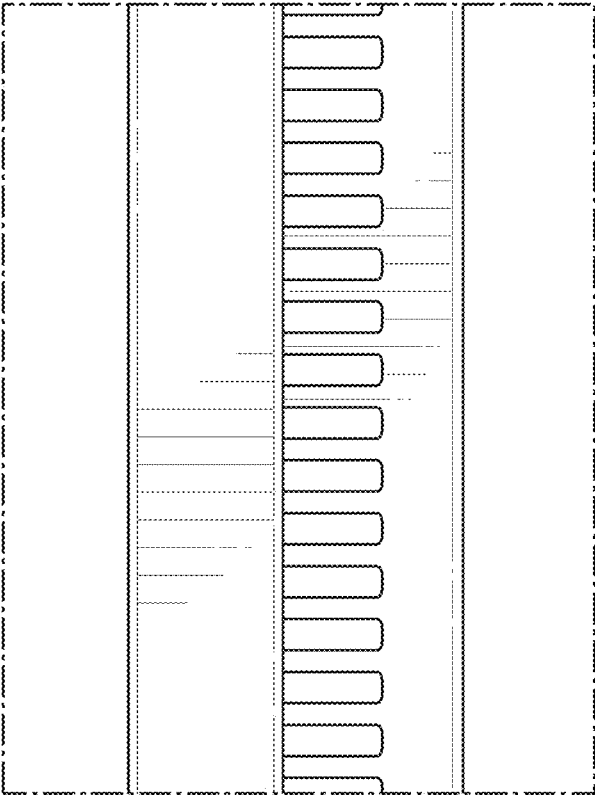


FIG. 9

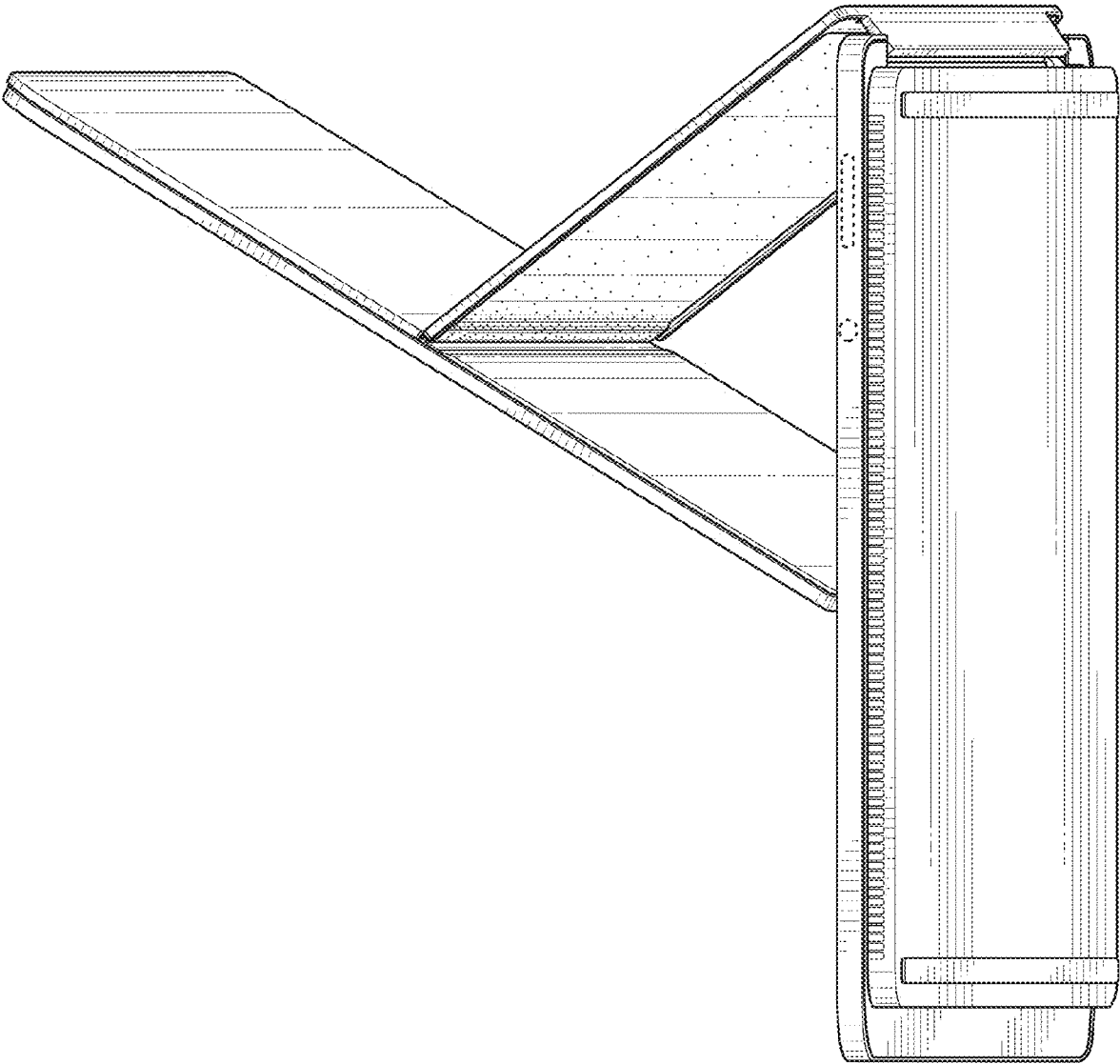


FIG. 10

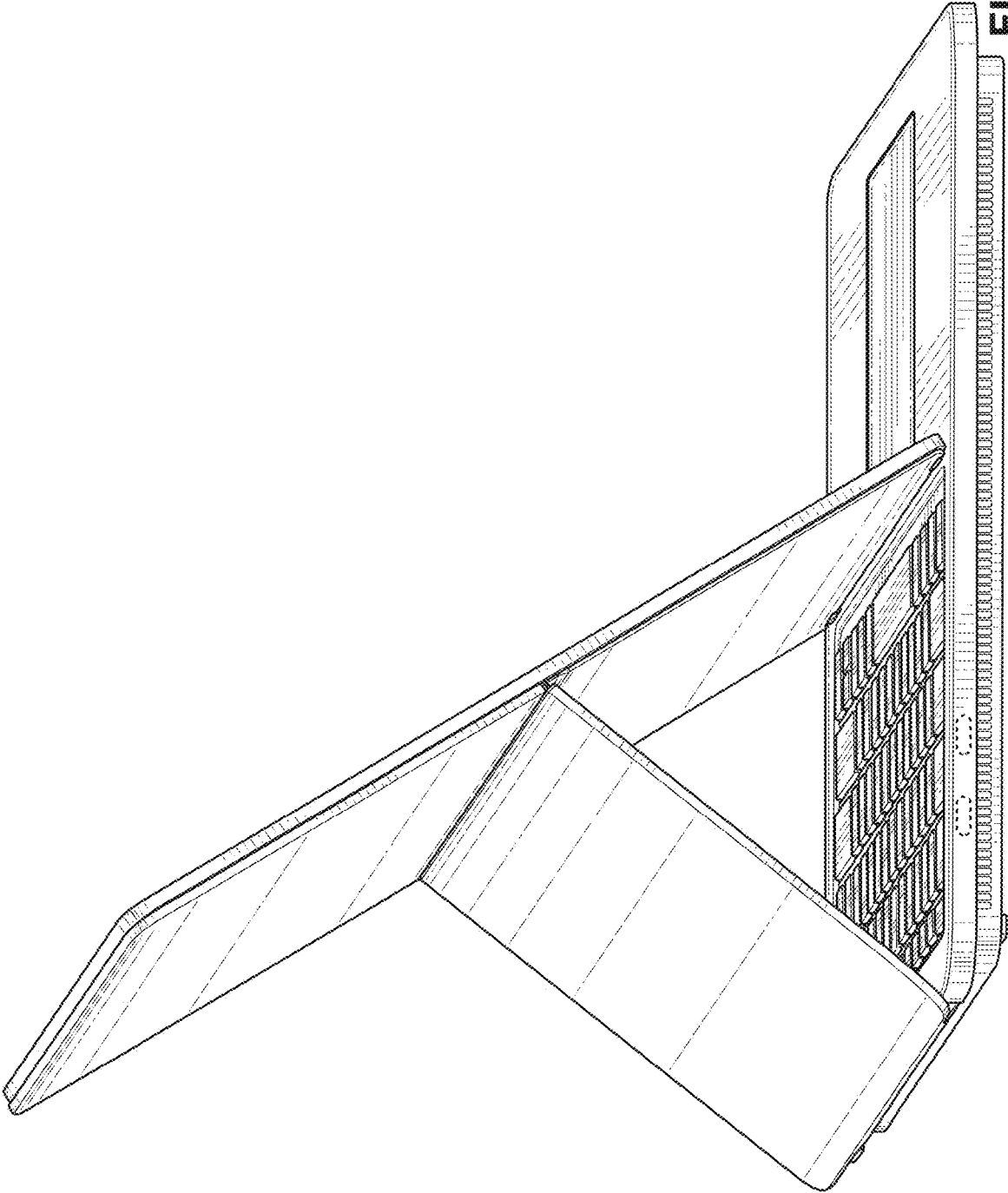


FIG. 11