



US00D895104S

(12) **United States Design Patent** (10) **Patent No.:** **US D895,104 S**  
**Kelly et al.** (45) **Date of Patent:** **\*\* Sep. 1, 2020**

(54) **VISOR FOR HELMET RESPIRATOR**  
(71) Applicant: **RPB Safety, LLC**, Royal Oak, MI (US)  
(72) Inventors: **Samuel Kelly**, Halswell (NZ); **Ryan Whitwood**, Royal Oak, MI (US)  
(73) Assignee: **RPB SAFETY, LLC**, Royal Oak, MI (US)  
(\*\*) Term: **15 Years**  
(21) Appl. No.: **29/662,112**

D830,003 S \* 10/2018 Wu ..... D29/110  
D834,759 S \* 11/2018 Berggren ..... D29/122  
D834,760 S \* 11/2018 Berggren ..... D29/122  
D841,893 S \* 2/2019 Bastman ..... D29/110  
D848,077 S \* 5/2019 Rosca ..... D29/122  
D860,546 S \* 9/2019 Rosca ..... D29/110  
2020/0068979 A1\* 3/2020 Muske ..... A42B 3/044

**FOREIGN PATENT DOCUMENTS**

EM 006264297-0001 \* 3/2019  
EM 006264776-0001 \* 3/2019

**OTHER PUBLICATIONS**

RPB Fabrication Range. Catalog. Date published: 2018. Retrieved from Internet: <https://www.rpbsafety.com/wp-content/uploads/2016/01/RPB-Fabrication-Industry-Brochure-R5.pdf> (Year: 2018).\*

\* cited by examiner

*Primary Examiner* — Lilyana Bekic  
(74) *Attorney, Agent, or Firm* — William H. Honaker; Dickinson Wright PLLC

(22) Filed: **Sep. 1, 2018**  
(51) **LOC (12) Cl.** ..... **29-02**  
(52) **U.S. Cl.**  
USPC ..... **D24/110.2**; D29/110; D29/122  
(58) **Field of Classification Search**  
USPC ..... D24/110.1–110.4, 127, 162, 164, 110;  
D29/102, 107, 108, 110, 129  
CPC ..... A63B 18/006; A63B 7/10; A63B 18/045;  
A63B 18/08; A63B 18/04; A63B 18/02;  
A63B 18/00; A63B 23/025; A63B  
18/025; A63B 23/02; A63B 17/04; A63B  
18/082; A42B 3/288; A42B 3/225; A42B  
3/286; A61M 16/06; A61M 16/0622  
See application file for complete search history.

(57) **CLAIM**

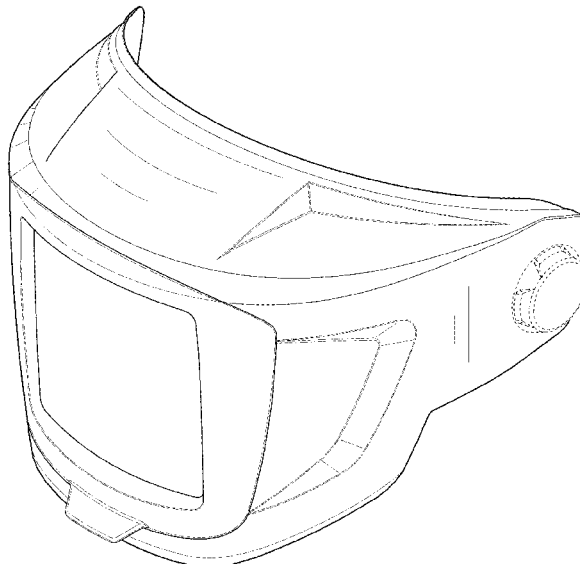
The ornamental design for a visor for helmet respirator, as shown and described.

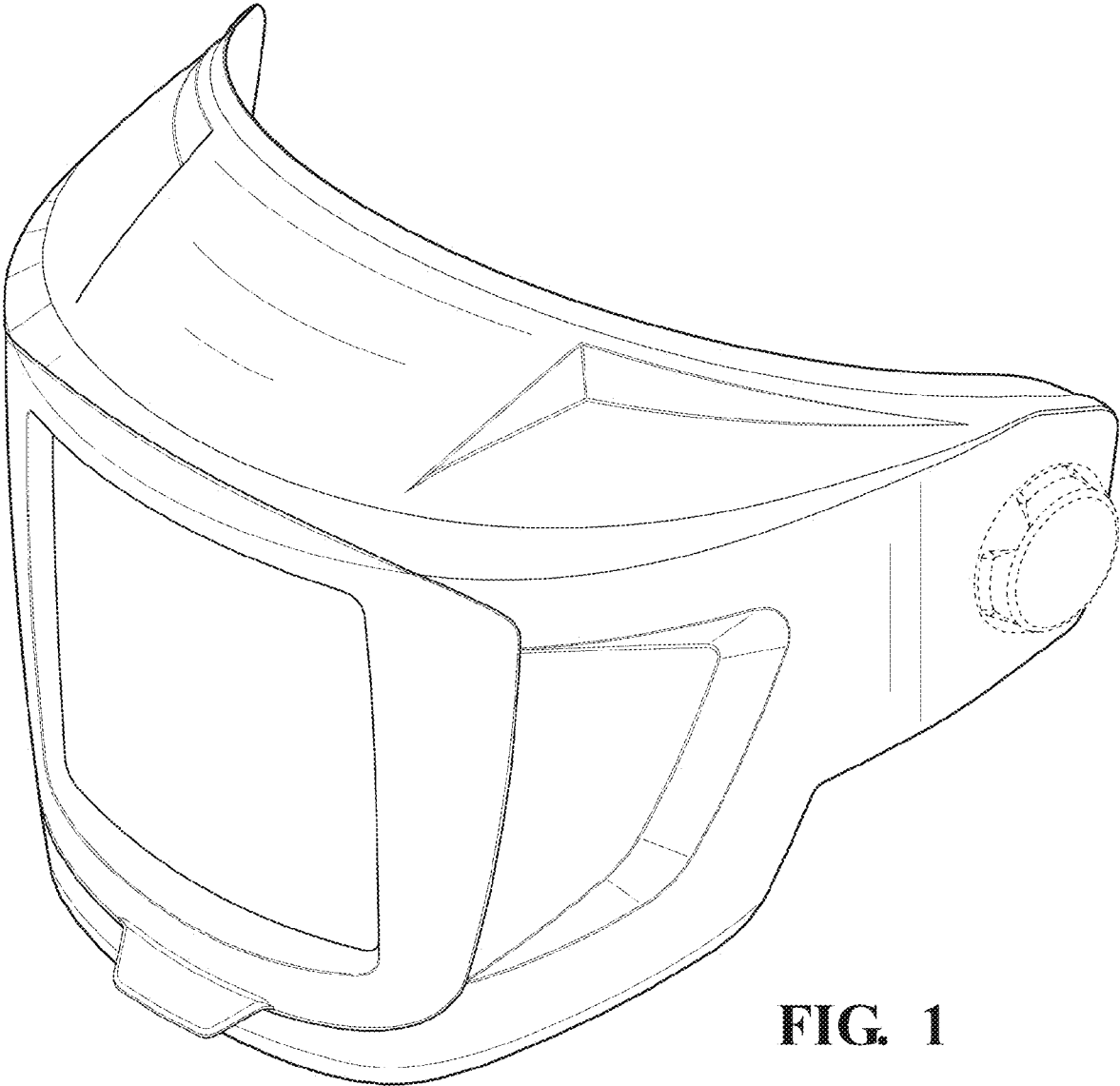
**DESCRIPTION**

FIG. 1 is a perspective view of the visor for helmet respirator showing our new design.  
FIG. 2 is a front view thereof.  
FIG. 3 is a left side view thereof.  
FIG. 4 is a right side view thereof.  
FIG. 5 is a top view thereof.  
FIG. 6 is a rear view thereof; and,  
FIG. 7 is a bottom view thereof.  
The broken lines in the drawings depict portions of the visor for helmet respirator that form no part of the claimed design.

(56) **References Cited**  
**U.S. PATENT DOCUMENTS**  
D398,421 S \* 9/1998 Crafoord ..... D29/110  
D584,003 S \* 12/2008 Juhlin ..... D29/110  
D585,604 S \* 1/2009 Martin ..... D29/110  
D586,956 S \* 2/2009 Huh ..... D29/110  
D594,600 S \* 6/2009 Huh ..... D29/110  
D640,012 S \* 6/2011 Marin ..... D29/110  
D668,327 S \* 10/2012 Sumner ..... D24/110.2  
D788,991 S \* 6/2017 Whitwood ..... D29/110  
D789,614 S \* 6/2017 Huh ..... D29/110  
D796,118 S \* 8/2017 Yang ..... D29/110

**1 Claim, 7 Drawing Sheets**





**FIG. 1**

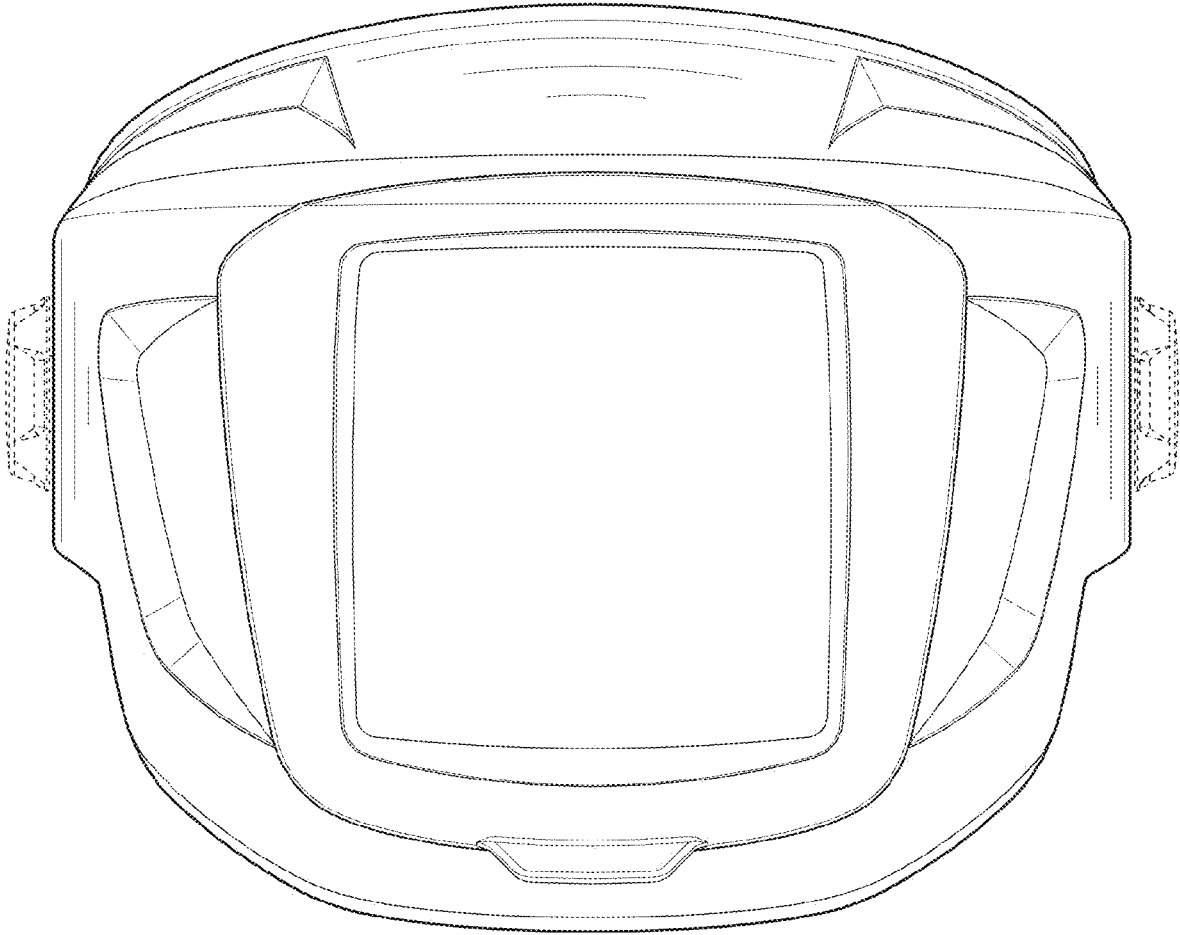
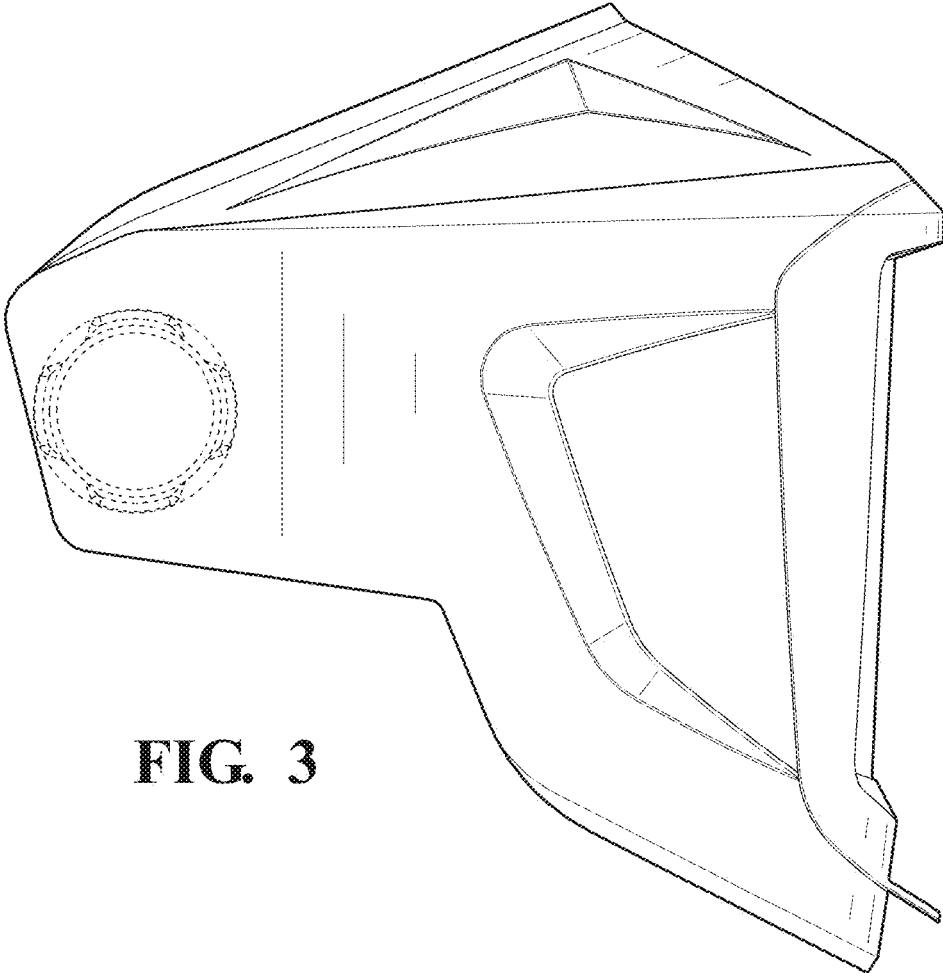
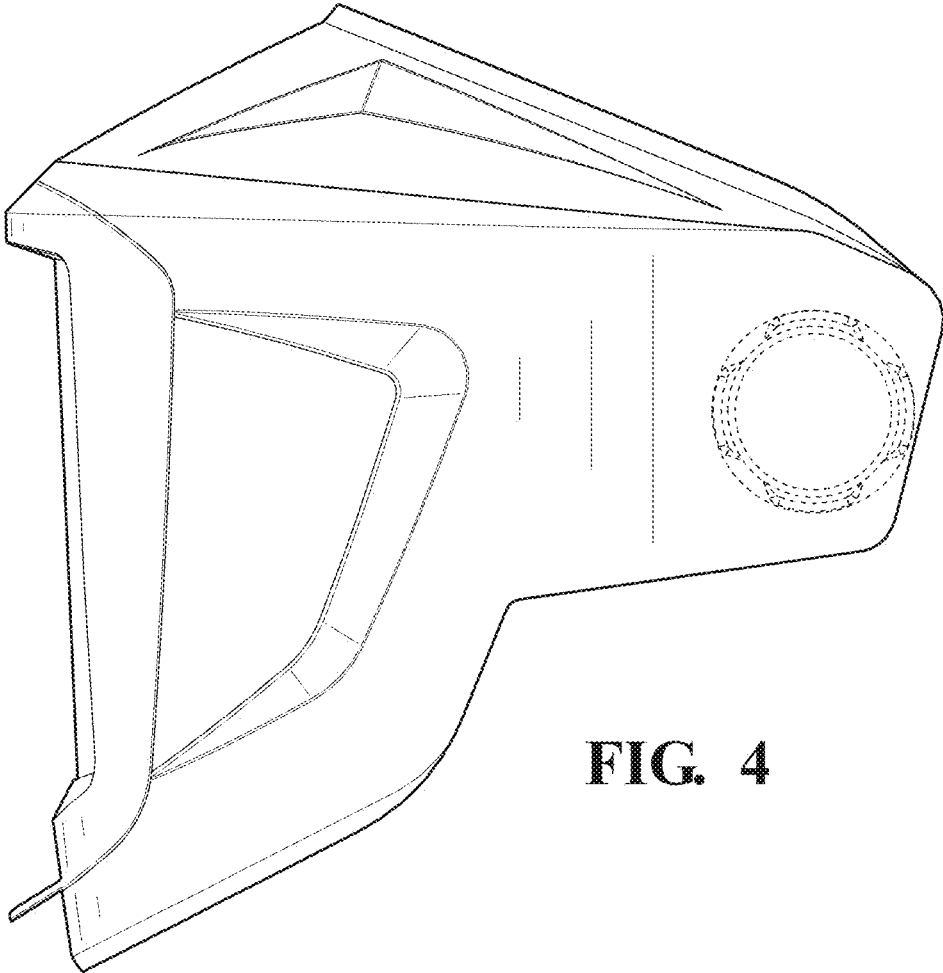


FIG. 2



**FIG. 3**



**FIG. 4**

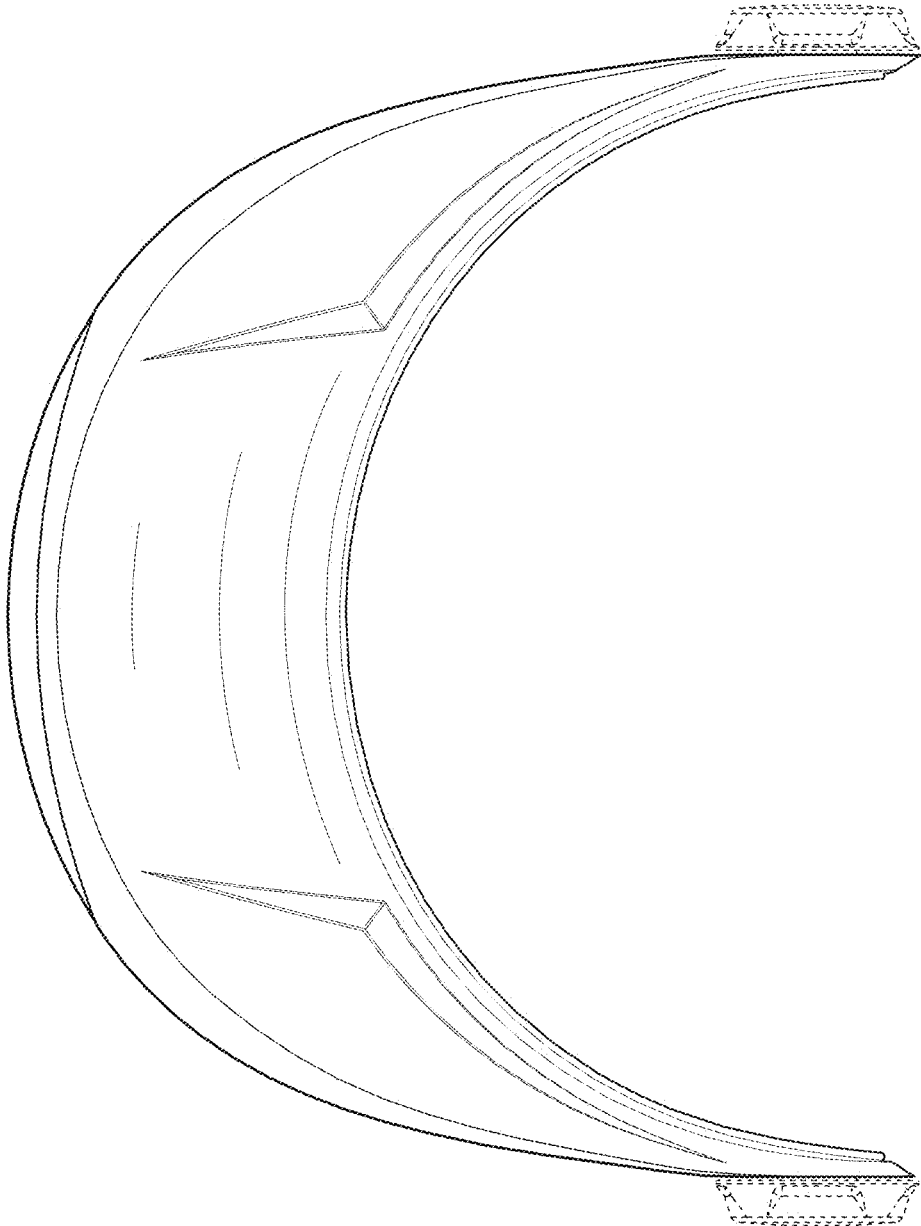


FIG. 5

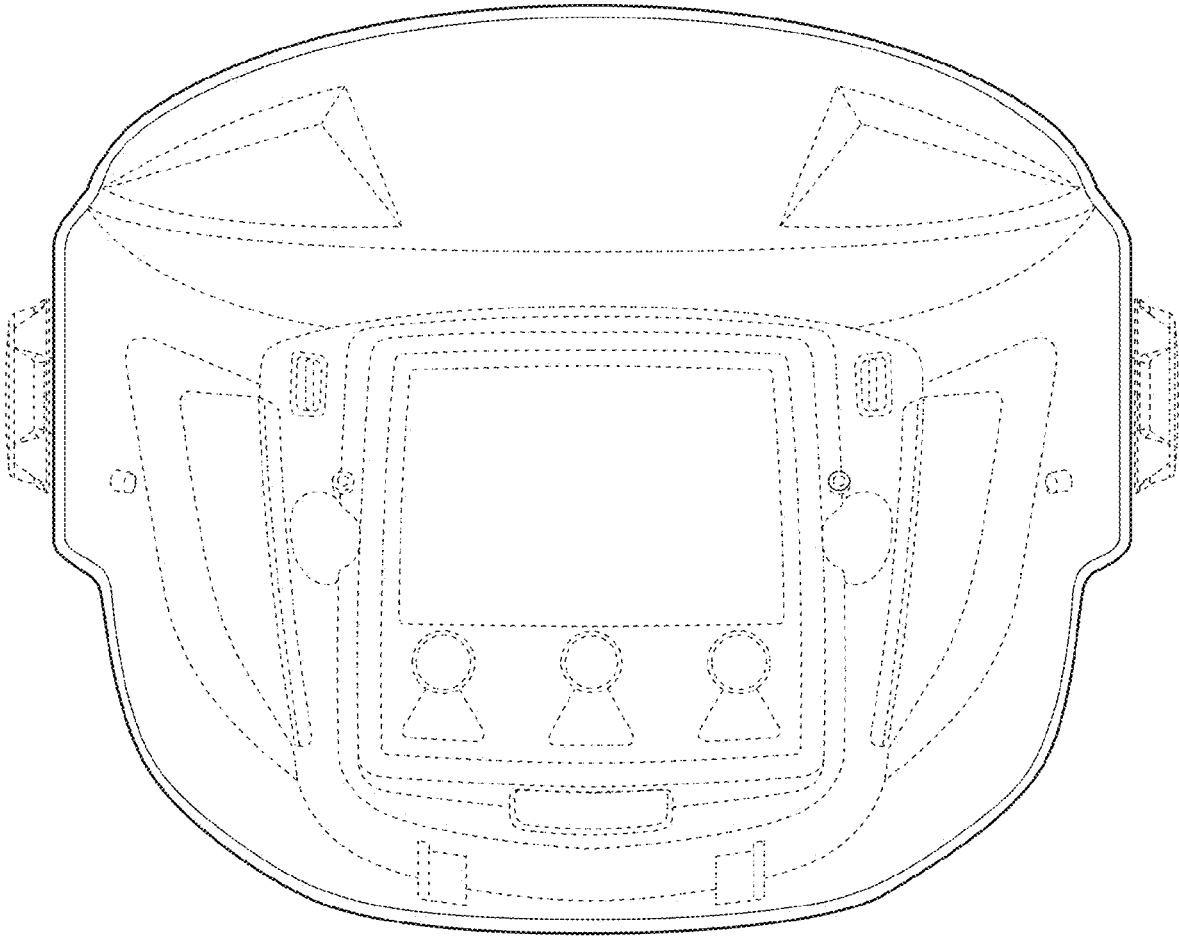


FIG. 6

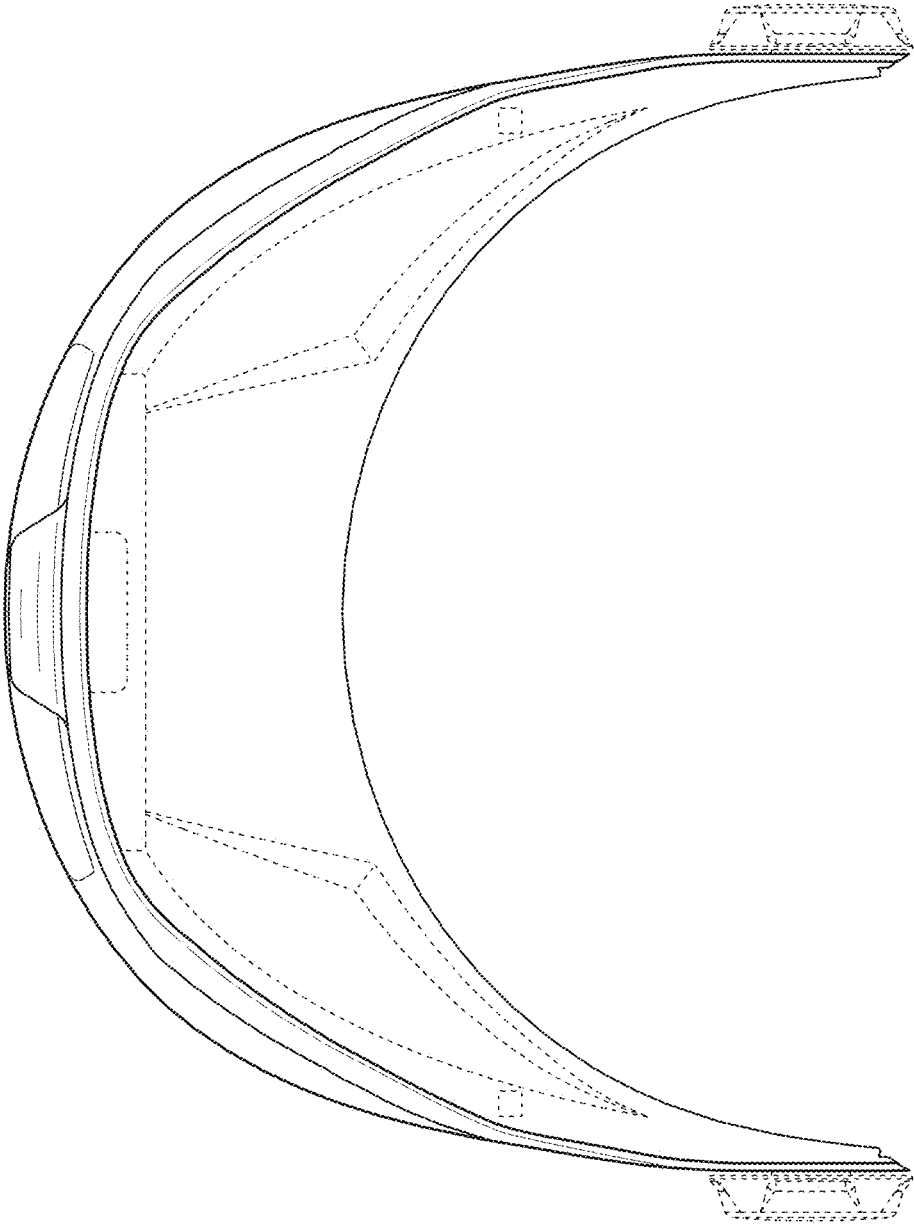


FIG. 7