



US0D1048918S

(12) **United States Design Patent**
Yan

(10) **Patent No.:** **US D1,048,918 S**

(45) **Date of Patent:** **** Oct. 29, 2024**

(54) **SET OF WATCH STRAPS**

D993,805 S * 8/2023 Zhan D11/3
D994,524 S * 8/2023 Kuang D11/3
D997,016 S * 8/2023 Kuang D11/3

(71) Applicant: **SHENZHEN STARSHIP TECHNOLOGY CO., LTD.**, Shenzhen (CN)

(Continued)

(72) Inventor: **Zhen Yan**, Shenzhen (CN)

FOREIGN PATENT DOCUMENTS

CN 308684277 * 6/2024
CN 308695456 * 6/2024

(73) Assignee: **SHENZHEN STARSHIP TECHNOLOGY CO., LTD.**, Shenzhen (CN)

OTHER PUBLICATIONS

(**) Term: **15 Years**

Sport Bands Compatible with Apple Watch amazon pp. 1-7 2022
<https://www.amazon.com/Silicone-Compatible-Waterproof-Breathable-Wristband/dp/B0BMN6QCVD?th=1> (Year: 2022).*

(21) Appl. No.: **29/864,863**

(Continued)

(22) Filed: **Jun. 24, 2022**

Primary Examiner — Kevin K Rudzinski
Assistant Examiner — Evans David Delesline

(30) **Foreign Application Priority Data**

Mar. 7, 2022 (CN) 202230114233.X

(51) **LOC (14) Cl.** **11-01**

(57) **CLAIM**

The ornamental design for set of watch straps as shown and described.

(52) **U.S. Cl.**

USPC **D11/3**

DESCRIPTION

(58) **Field of Classification Search**

USPC D11/1-5; D10/32

CPC A44C 5/0053

See application file for complete search history.

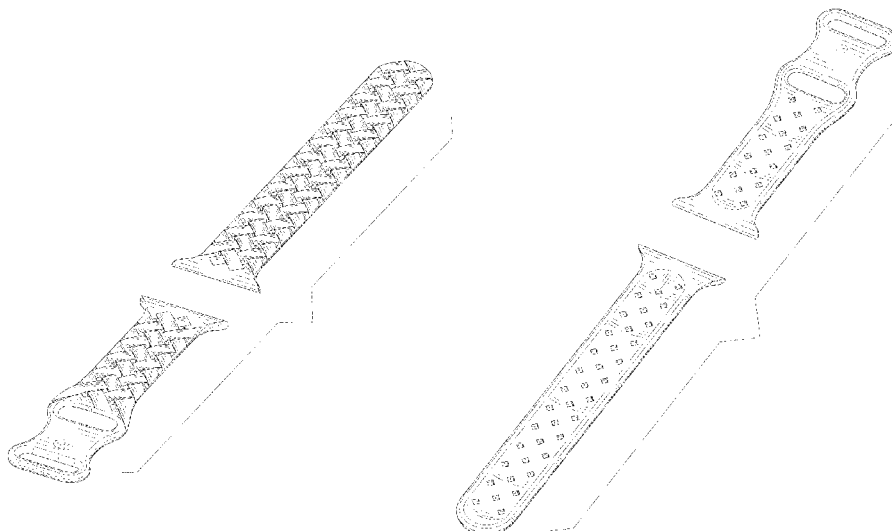
FIG. 1 is a perspective view of set of watch straps showing my design;
FIG. 2 is another perspective view thereof;
FIG. 3 is a front elevational view thereof;
FIG. 4 is a rear elevational view thereof;
FIG. 5 is a left side elevational view thereof;
FIG. 6 is a right side elevational view thereof;
FIG. 7 is an enlarged top plan view thereof; and,
FIG. 8 is an enlarged bottom plan view thereof.
The broken lines in the drawings depict portions of the set of watch straps that form no part of the claimed design.
The braces in the drawings indicate that the set of watch straps include two parts, and the two parts as whole are claimed, while the braces themselves form no part of the claimed design.

(56) **References Cited**

U.S. PATENT DOCUMENTS

D902,769 S * 11/2020 Riot D14/344
D926,615 S * 8/2021 Li D11/3
D955,257 S * 6/2022 Huang D11/3
D970,381 S * 11/2022 Tian D10/32
D971,054 S * 11/2022 Tan D11/15
D979,444 S * 2/2023 Ye D14/344
D987,462 S * 5/2023 Li D11/3
D988,168 S * 6/2023 Tang D11/3
D990,350 S * 6/2023 Kuang D11/3
D993,066 S * 7/2023 Cao D11/3
D993,804 S * 8/2023 Zhan D11/3

1 Claim, 8 Drawing Sheets



(56)

References Cited

U.S. PATENT DOCUMENTS

D998,490 S * 9/2023 Yin D10/32
D1,005,146 S * 11/2023 Qin D11/3
D1,027,696 S * 5/2024 Guo D11/3

OTHER PUBLICATIONS

1pc Soft, Comfortable And Breathable Silicone Braided Replacement Sports Band Compatible With Apple Watch shein pp. 1-4 2023
<https://us.shein.com/goods-p-29816040.html?> (Year: 2023).*

* cited by examiner

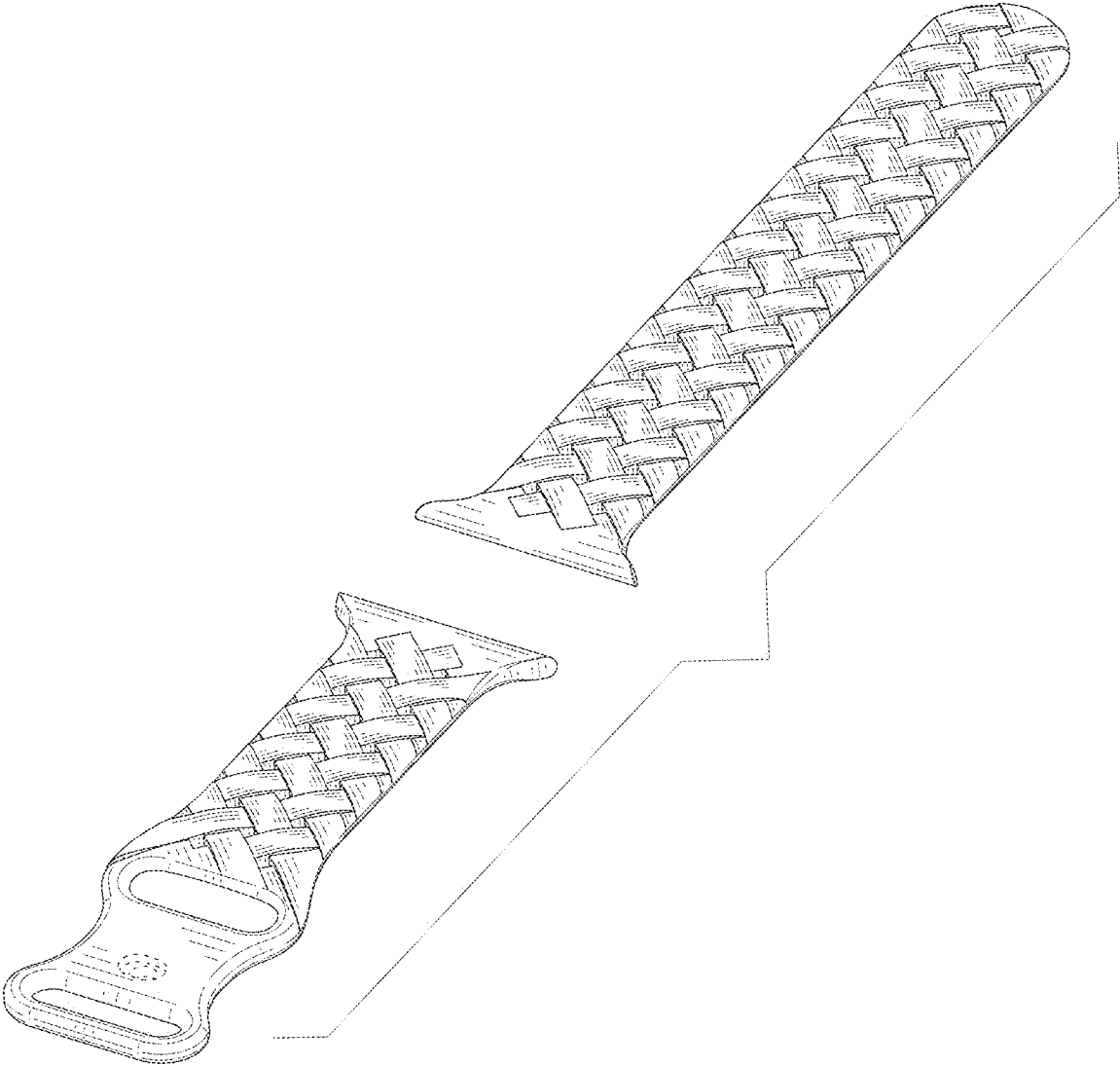


FIG. 1

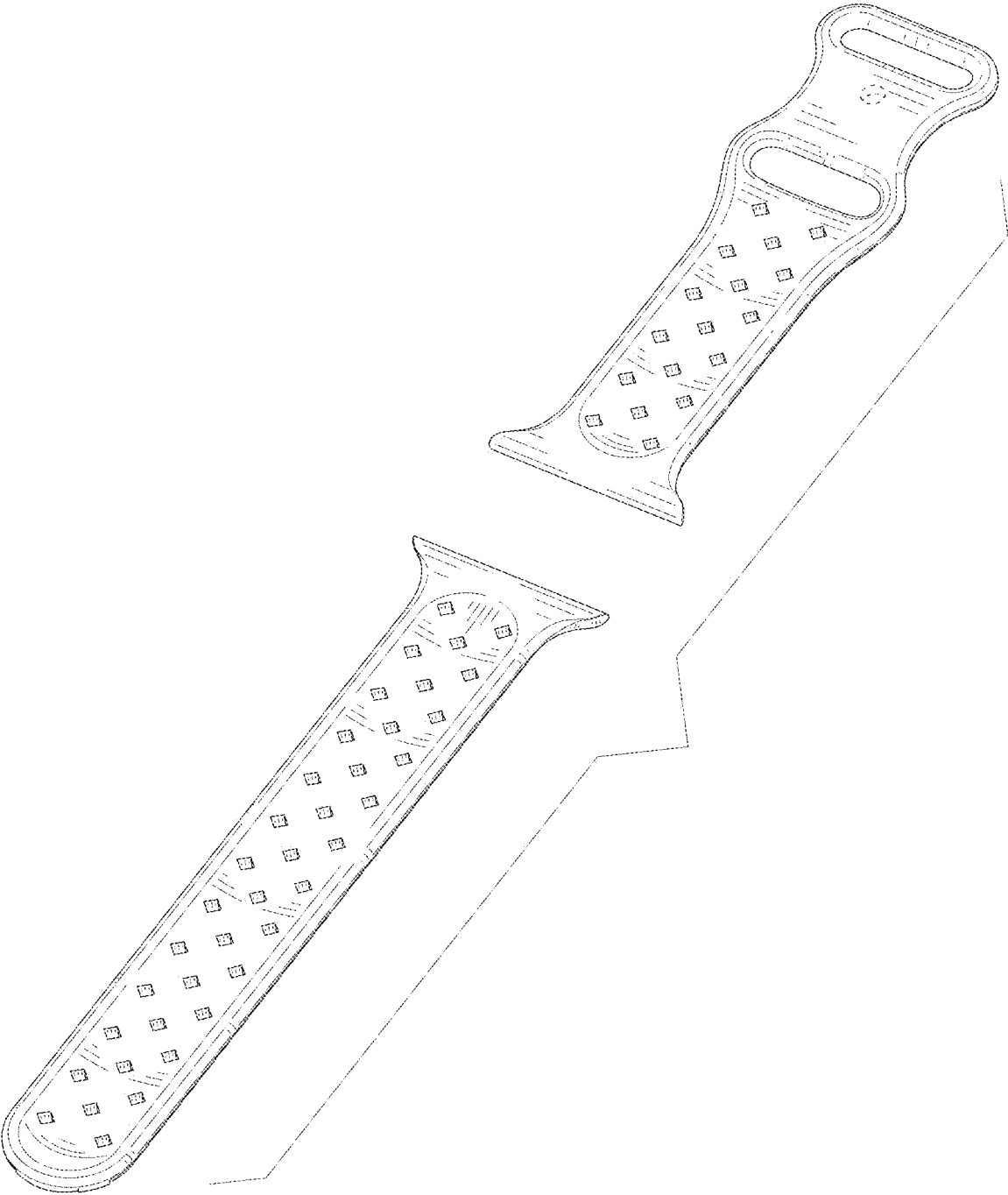


FIG. 2

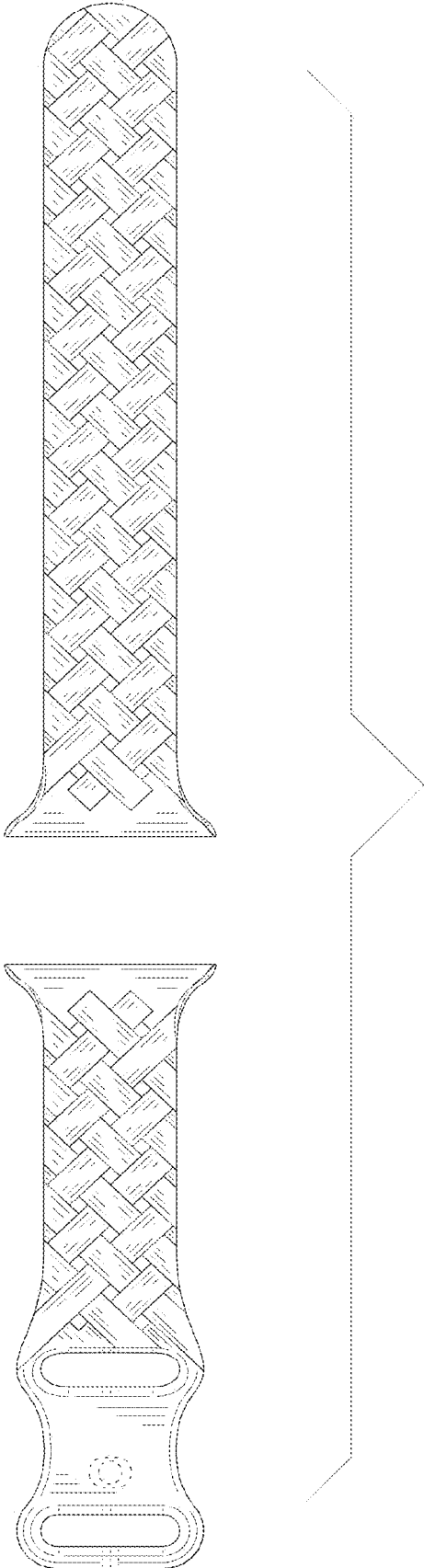


FIG. 3

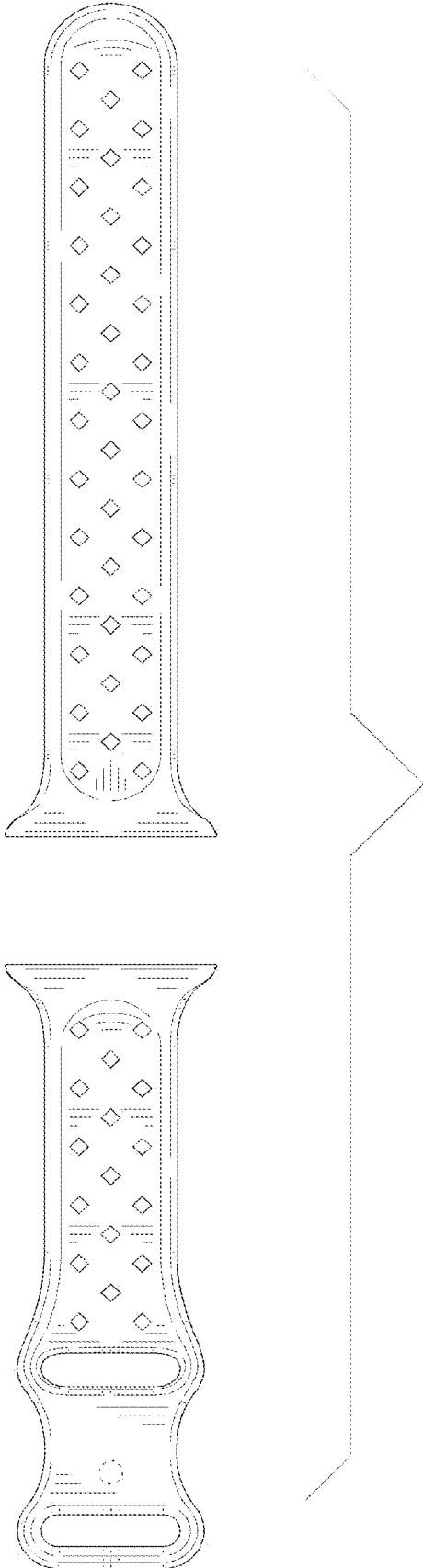


FIG. 4

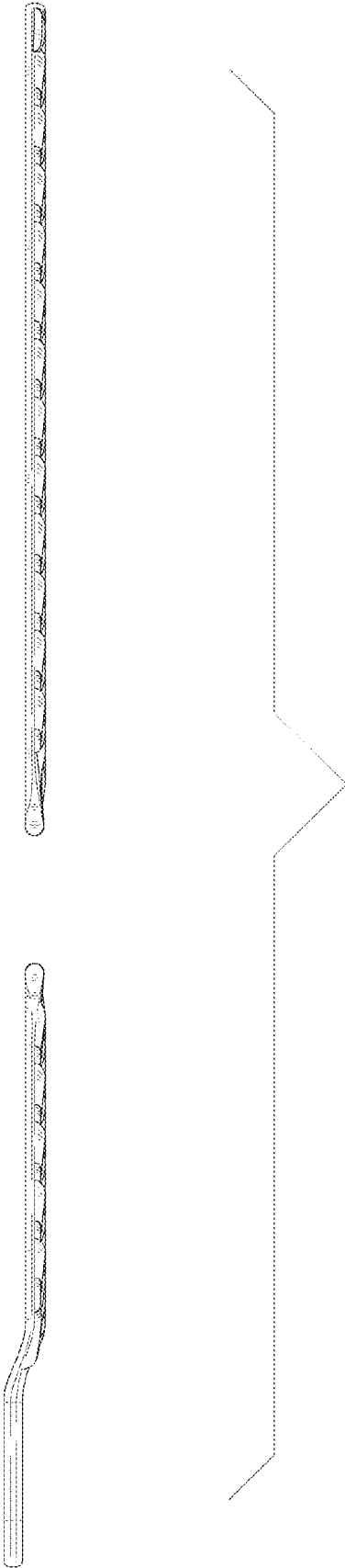


FIG. 5

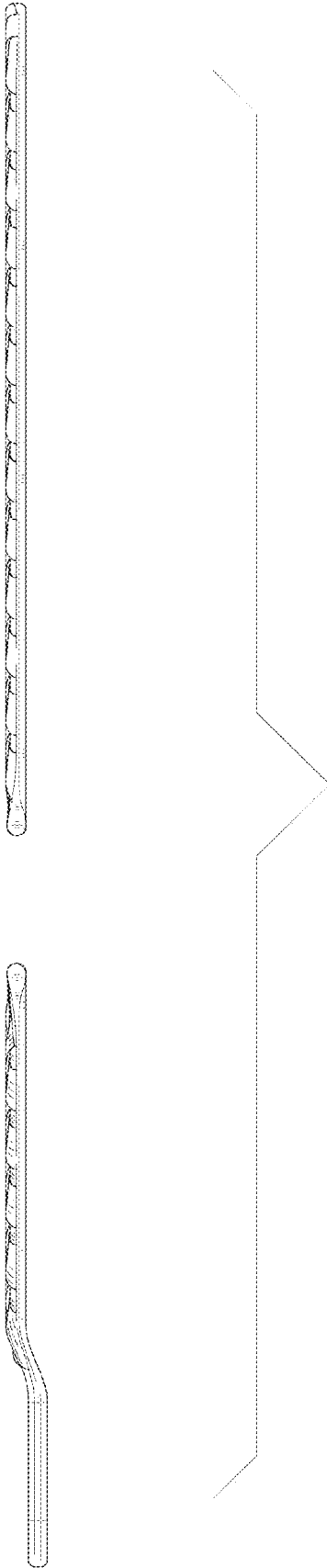


FIG. 6

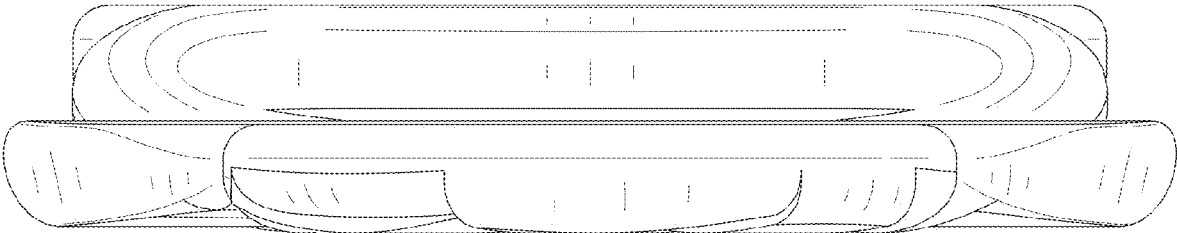


FIG. 7

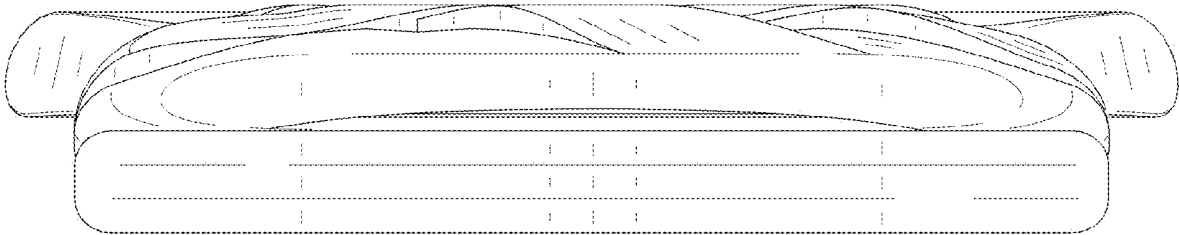


FIG. 8