



US00D658271S

(12) **United States Design Patent**
Schaefer

(10) **Patent No.:** **US D658,271 S**

(45) **Date of Patent:** **** Apr. 24, 2012**

(54) **FAUCET HANDLE**

Notice of Allowance issued in U.S. Appl. No. 29/369,871, dated Jul. 13, 2011.

(75) Inventor: **David Schaefer**, Danbury, CT (US)

* cited by examiner

(73) Assignee: **Waterworks IP Co., LLC**, Danbury, CT (US)

Primary Examiner — Robert Delehanty

(74) *Attorney, Agent, or Firm* — McDermott Will & Emery LLP

(**) Term: **14 Years**

(57) **CLAIM**

The ornamental design for a faucet handle, as shown and described.

(21) Appl. No.: **29/369,873**

(22) Filed: **Sep. 14, 2010**

DESCRIPTION

(51) **LOC (9) Cl.** **23-01**

FIG. 1 is a front perspective view of a first embodiment of a faucet handle, showing the new design;

(52) **U.S. Cl.** **D23/250**

FIG. 2 is a front view of the first embodiment of the faucet handle;

(58) **Field of Classification Search** D23/250,
D23/252–254

FIG. 3 is a rear view of the first embodiment of the faucet handle;

See application file for complete search history.

FIG. 4 is a side view of the first embodiment of the faucet handle;

(56) **References Cited**

U.S. PATENT DOCUMENTS

D433,733	S	*	11/2000	Lord	D23/250
D464,406	S		10/2002	Gottwald		
D483,440	S	*	12/2003	Smith	D23/252
D518,151	S	*	3/2006	Ito	D23/241
D520,606	S	*	5/2006	Hoernig	D23/254
D522,630	S	*	6/2006	Fritz	D23/252
D524,426	S		7/2006	Sallick et al.		

FIG. 5 is another side view of the first embodiment of the faucet handle;

FIG. 6 is a top view of the first embodiment of the faucet handle; and,

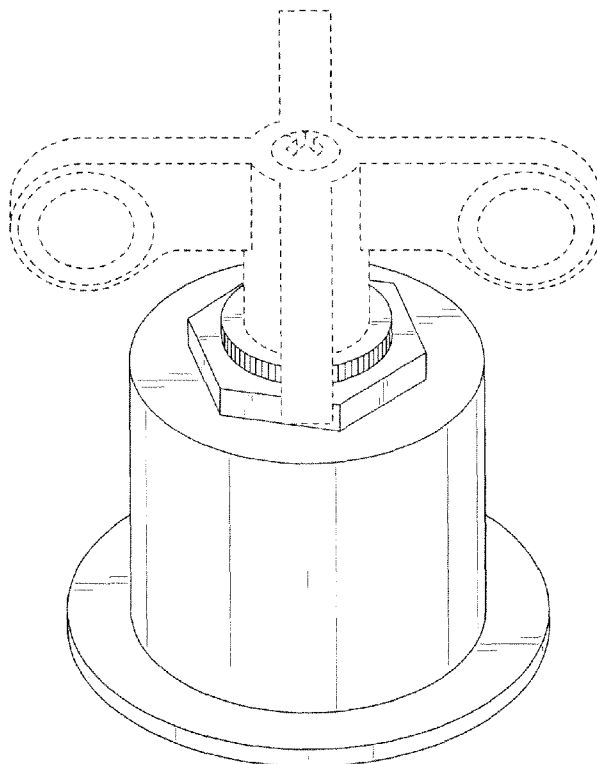
FIG. 7 is a bottom view of the first embodiment of the faucet handle.

The broken lines showing various elements of the faucet handle are included for the purpose of illustrating non-claimed subject matter and form no part of the claimed design.

OTHER PUBLICATIONS

Notice of Allowance issued in U.S. Appl. No. 29/369,871, dated Jul. 13, 2011.

1 Claim, 7 Drawing Sheets



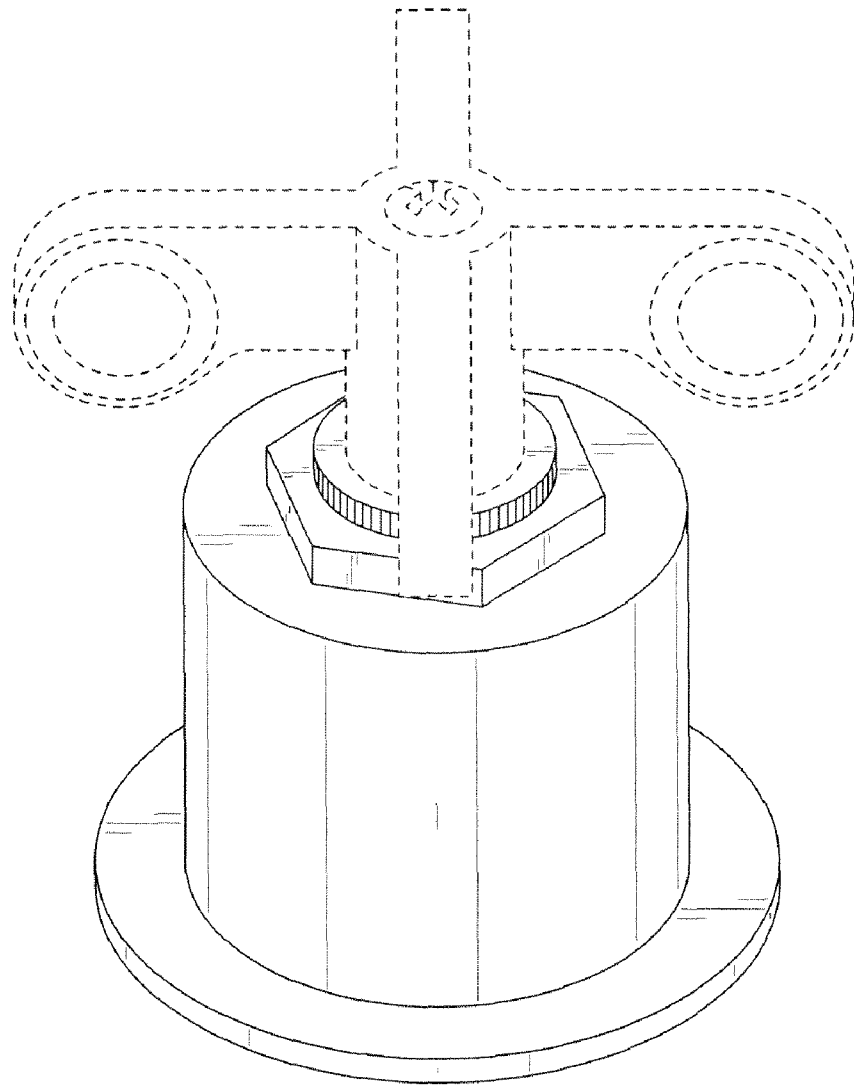


FIG. 1

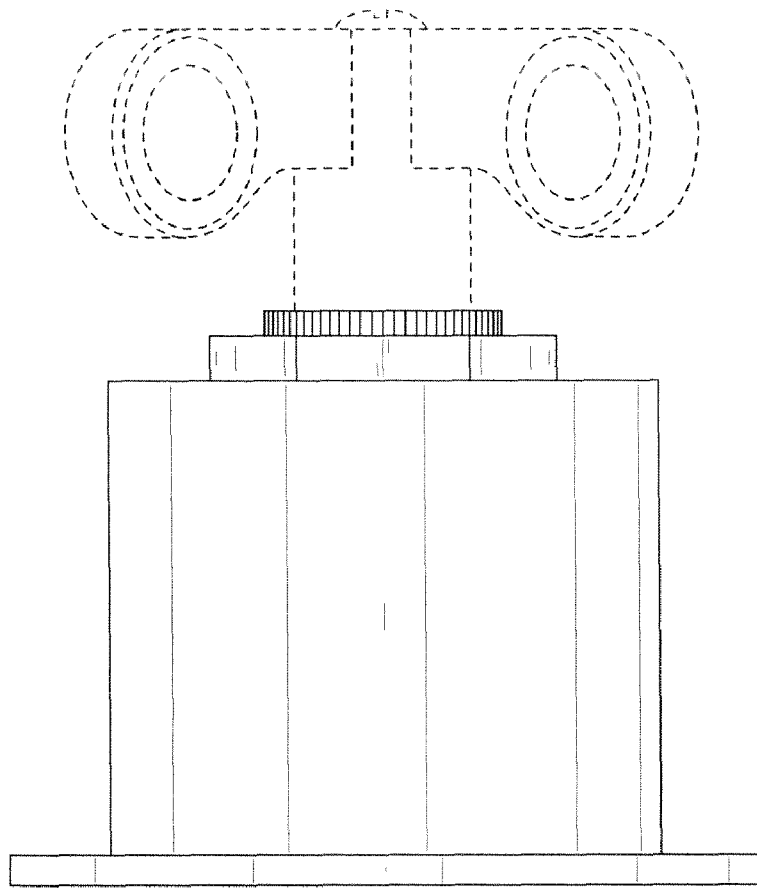


FIG. 2

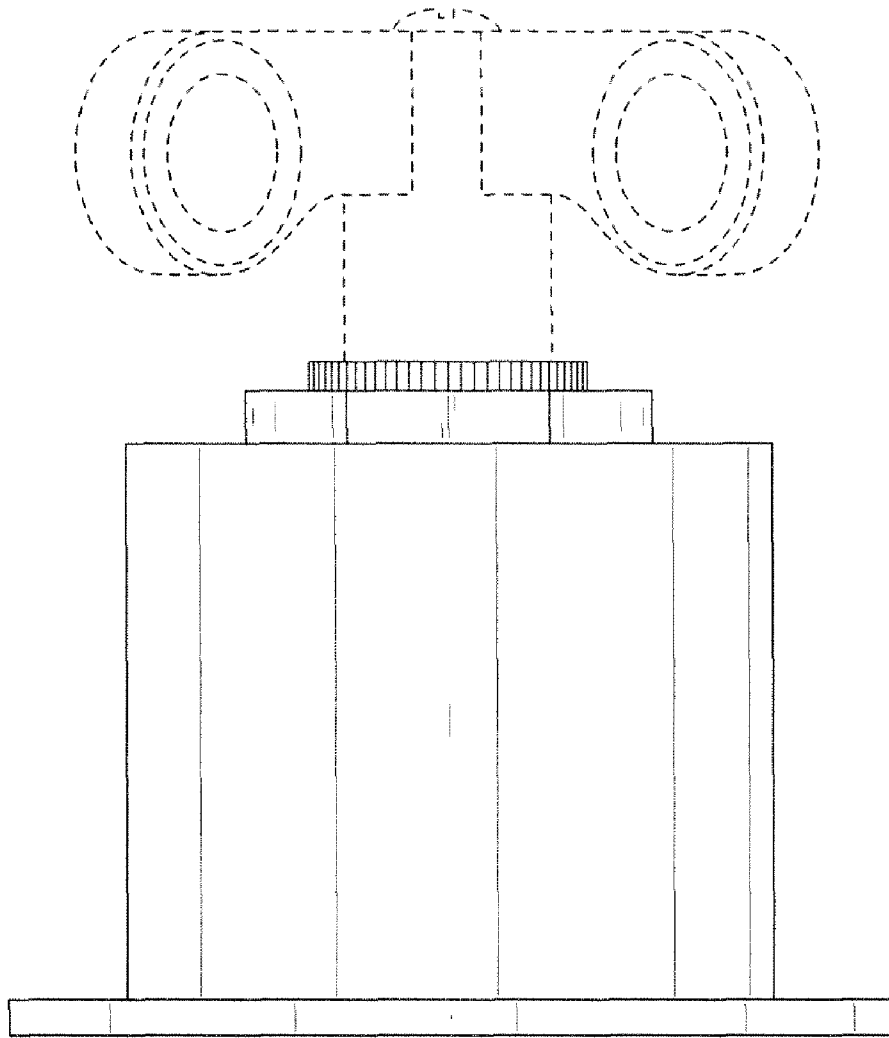


FIG. 3

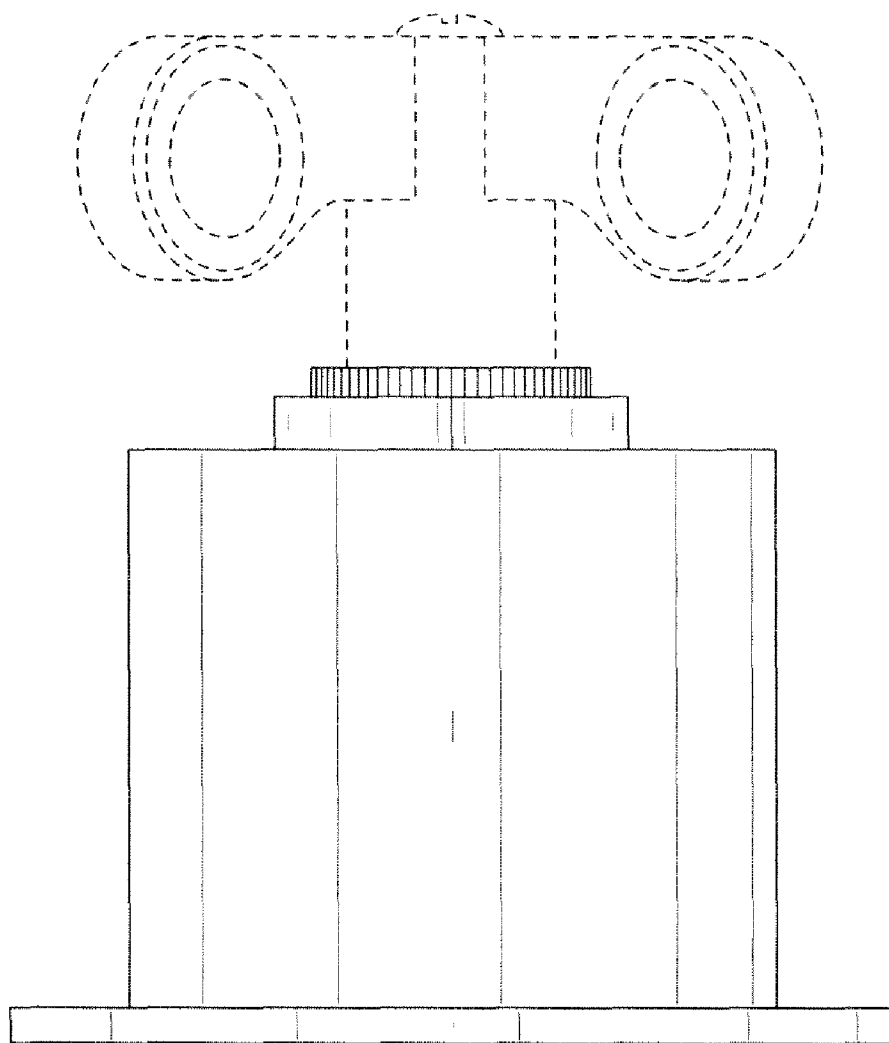


FIG. 4

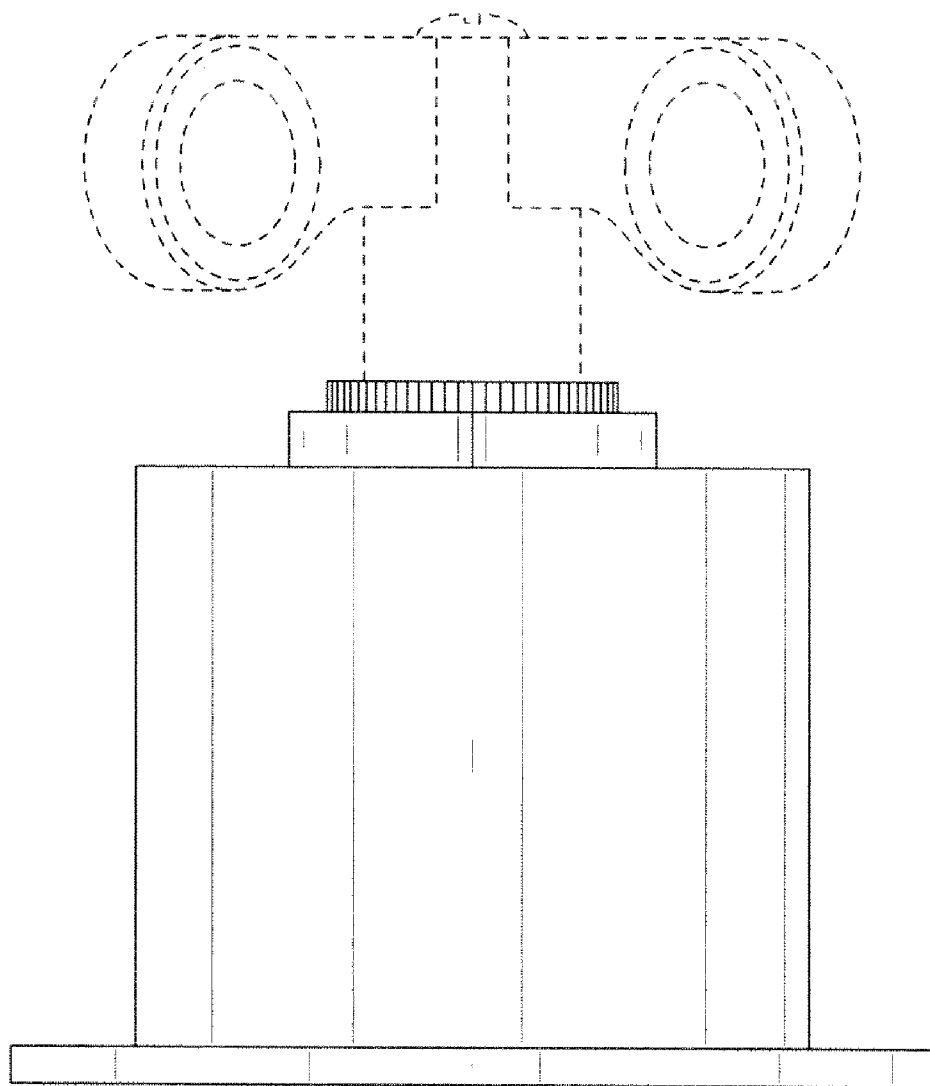


FIG. 5

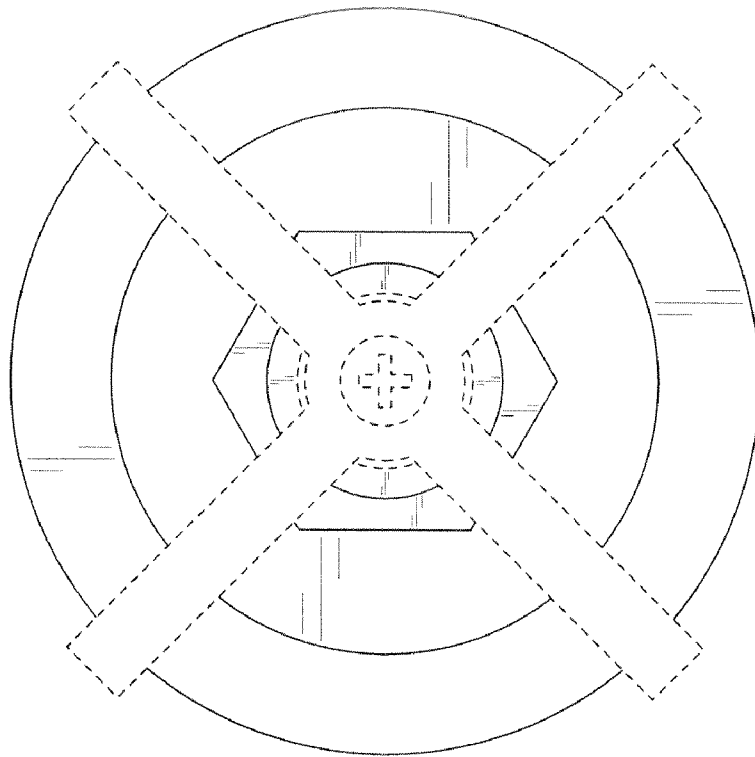


FIG. 6

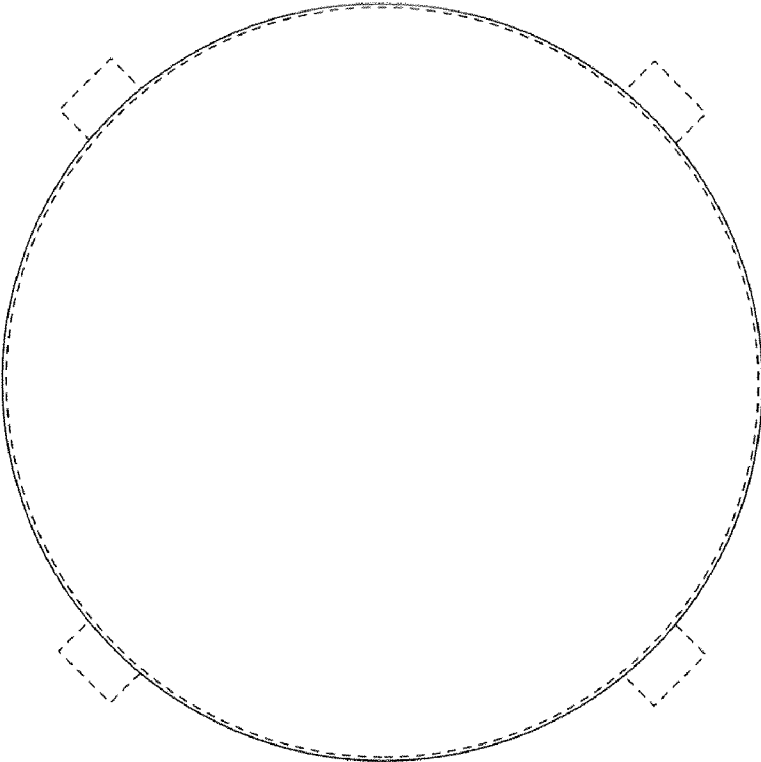


FIG. 7