



US00D734421S

(12) **United States Design Patent**  
**Bennis**

(10) **Patent No.:** **US D734,421 S**

(45) **Date of Patent:** **\*\* Jul. 14, 2015**

(54) **ILLUMINATED FISHING BOBBER**

(71) Applicant: **Garry Bennis**, Eau Claire, WI (US)

(72) Inventor: **Garry Bennis**, Eau Claire, WI (US)

(73) Assignee: **Gary Bennis**, Eau Claire, WI (US)

(\*\*) Term: **14 Years**

(21) Appl. No.: **29/481,950**

(22) Filed: **Feb. 12, 2014**

(51) **LOC (10) Cl.** ..... **22-05**

(52) **U.S. Cl.**  
USPC ..... **D22/146**

(58) **Field of Classification Search**  
USPC ..... D22/145-146, 126-133; 43/43.13,  
43/41.2, 19.2, 4.5, 17.5, 43.14, 4, 44.91,  
43/43.4, 42.35, 42.39, 42.45, 44.87, 44.99,  
43/42.72

See application file for complete search history.

(56) **References Cited**

**U.S. PATENT DOCUMENTS**

1,836,836	A	*	12/1931	Chobanoff	.....	43/43.1
2,393,070	A	*	1/1946	Saloun	.....	43/44.91
2,876,581	A	*	3/1959	Schmidt	.....	43/44.95
4,799,328	A	*	1/1989	Goldman	.....	43/42.06
D327,726	S	*	7/1992	Lowrance et al.	.....	D22/139

\* cited by examiner

*Primary Examiner* — Catheri Oliver-Garcia

(74) *Attorney, Agent, or Firm* — William D. Hare; McNeely, Hare & War, LLP

(57) **CLAIM**

The ornamental design for an illuminated fishing bobber, as shown and described.

**DESCRIPTION**

FIG. 1 is a perspective view of an illuminated fishing bobber having a fishing line retaining hook and two electrodes at one end of the bobber with the electrodes placed on the opposite sides of the fishing line retaining hook. FIG. 1 includes surface shading showing contour and three-dimensional aspects of the fishing bobber.

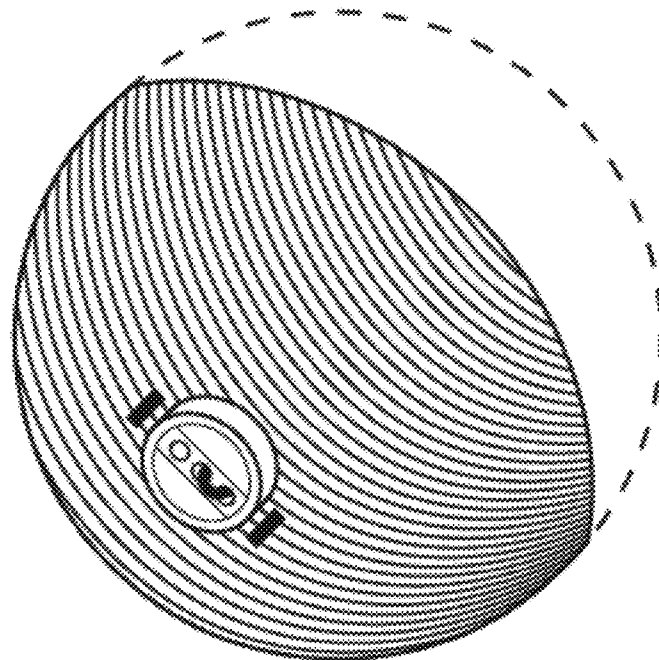
FIG. 2 is a first side view of the illuminated fishing bobber of FIG. 1 showing the one of the electrodes. FIG. 2 includes surface shading showing the contour and three-dimensional aspects of the fishing bobber.

FIG. 3 is a second side view of the illuminated fishing bobber of FIG. 1 showing a portion of the fishing line retaining hook and the two electrodes placed on the opposite sides of the fishing line retaining hook. The opposite side view is a mirror image to the view shown in FIG. 3. FIG. 3 includes surface shading showing the contour and three-dimensional aspects of the fishing bobber; and,

FIG. 4 is a bottom view of the illuminated fishing bobber of FIG. 1 showing the fishing line retaining hook and the two electrodes. FIG. 4 includes surface shading showing the contour and three-dimensional aspects of the fishing bobber.

The broken line showing of environment in the drawings is included for the purpose of illustrating only and forms no part of the claimed design.

**1 Claim, 4 Drawing Sheets**



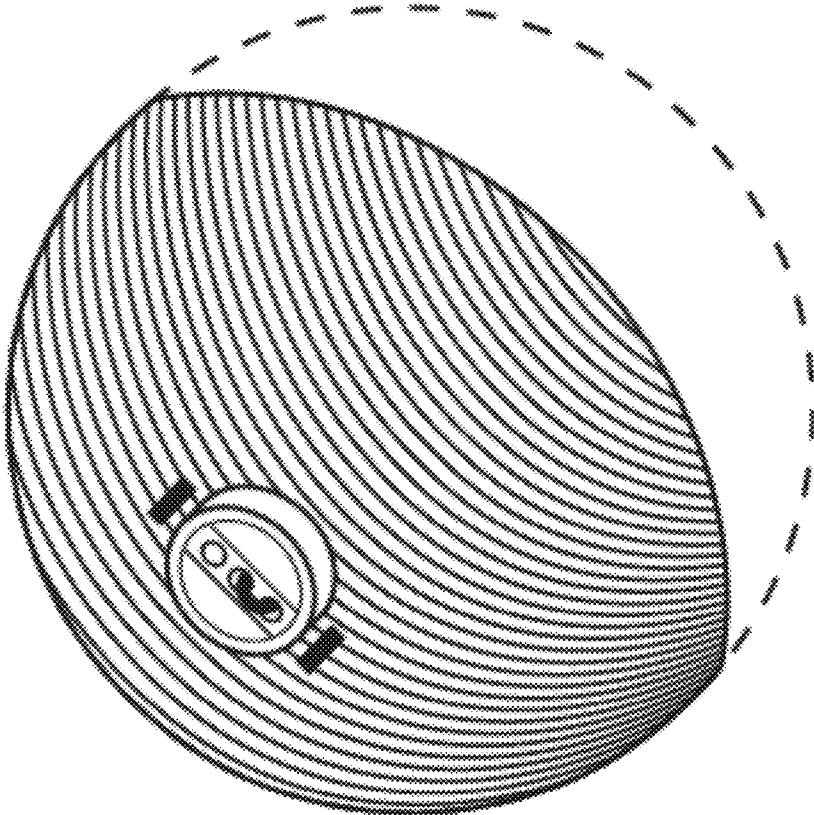


FIGURE 1

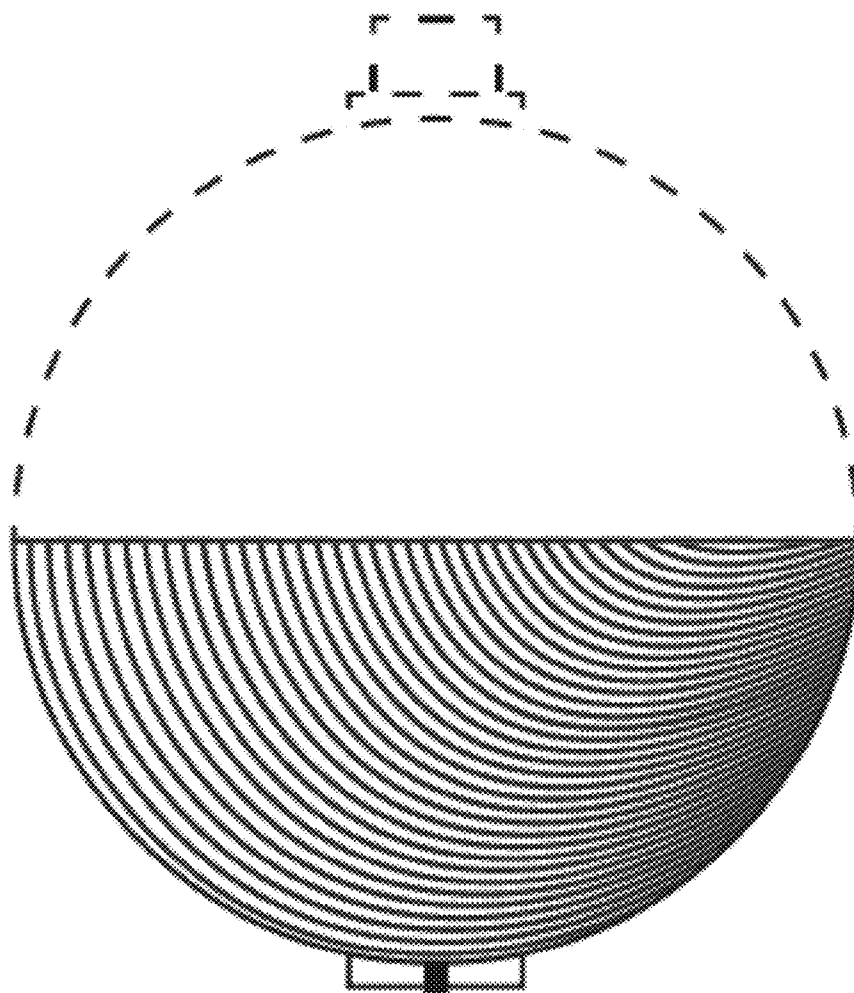


FIGURE 2

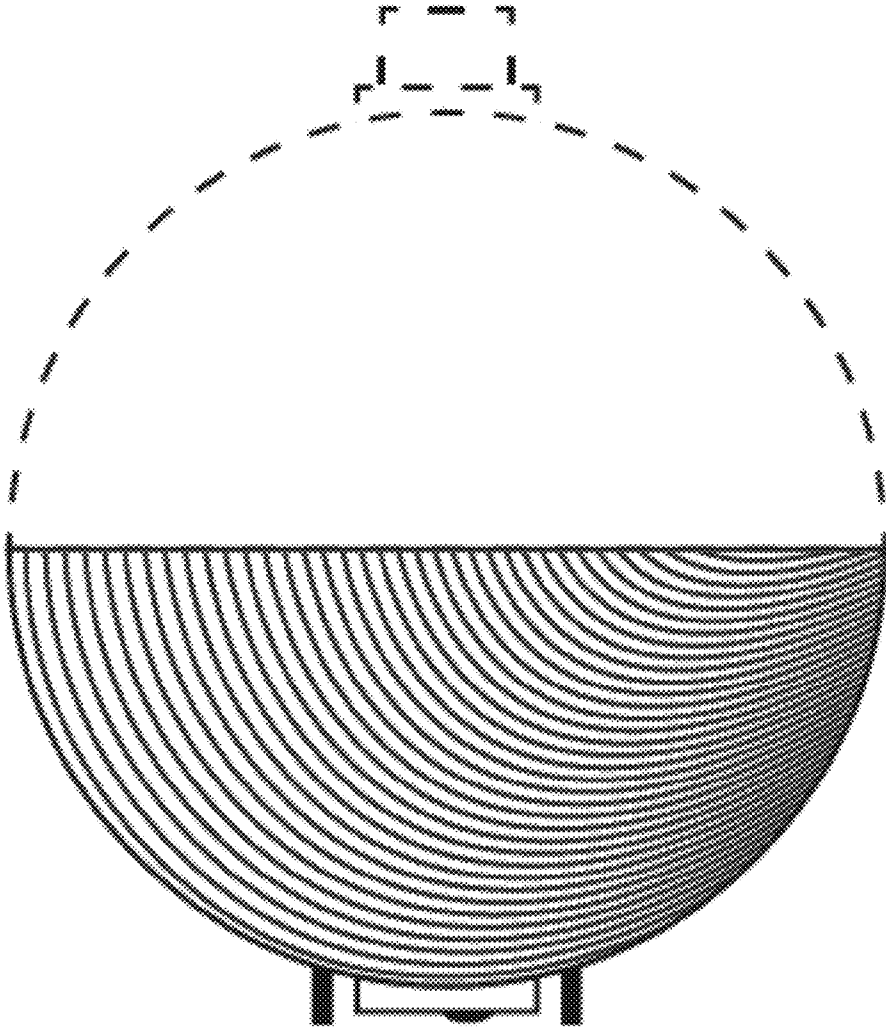


FIGURE 3

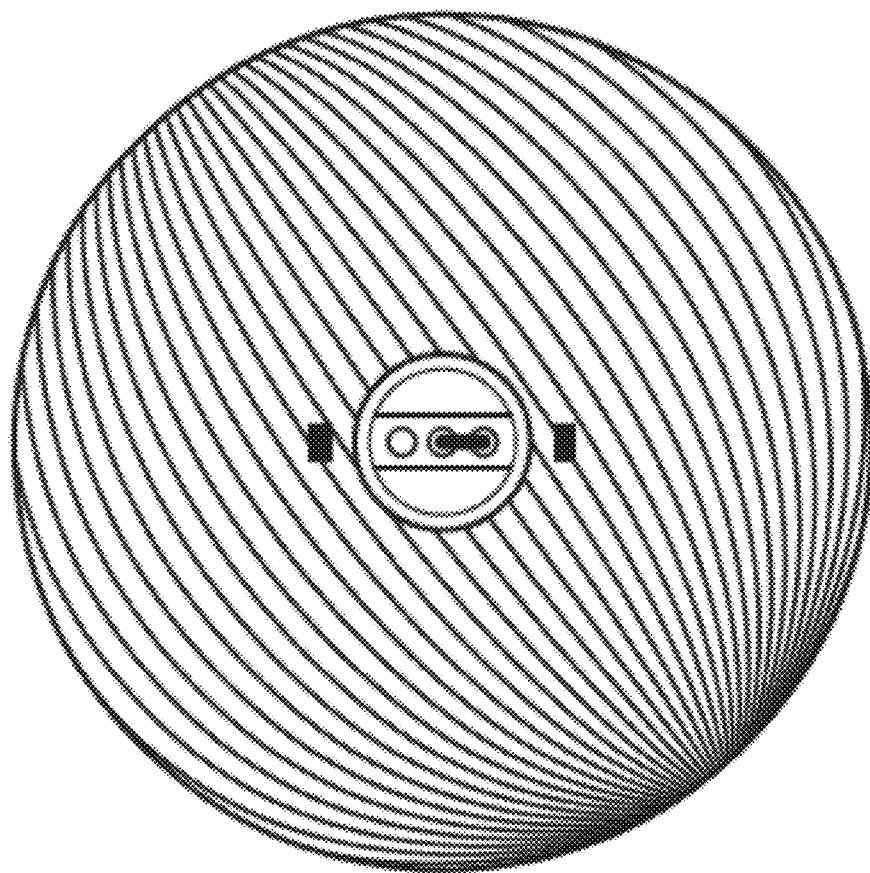


FIGURE 4