



US00D853917S

(12) **United States Design Patent**
Hamlin et al.

(10) **Patent No.:** **US D853,917 S**

(45) **Date of Patent:** **** Jul. 16, 2019**

- (54) **MIRROR ASSEMBLY**
- (71) Applicant: **Gentex Corporation**, Zeeland, MI (US)
- (72) Inventors: **Bradley R. Hamlin**, Allendale, MI (US); **Richard T. Fish, Jr.**, Hudsonville, MI (US); **Danny L. Minikey, Jr.**, Fenwick, MI (US)
- (73) Assignee: **GENTEX CORPORATION**, Zeeland, MI (US)
- (**) Term: **15 Years**
- (21) Appl. No.: **29/615,107**
- (22) Filed: **Aug. 25, 2017**

- D499,678 S 12/2004 Bradley
- 6,902,284 B2 6/2005 Hutzel et al.
- D553,061 S 10/2007 Schmidt et al.
- D729,713 S 5/2015 Hamlin et al.
- D730,255 S 5/2015 Roth
- D731,376 S 6/2015 Hamlin et al.
- D739,320 S 9/2015 Minikey, Jr. et al.
- D746,198 S 12/2015 Hamlin et al.
- D746,744 S 1/2016 Sloterbeek et al.
- D755,097 S 5/2016 Lin
- D755,689 S 5/2016 Suesse
- D761,170 S 7/2016 Roth
- D761,171 S 7/2016 Roth

(Continued)

Primary Examiner — Katrina A Betton

(74) *Attorney, Agent, or Firm* — Price Heneveld LLP; Bradley D. Johnson

Related U.S. Application Data

- (62) Division of application No. 29/515,131, filed on Jan. 20, 2015, now Pat. No. Des. 797,626.
- (51) **LOC (11) Cl.** **12-16**
- (52) **U.S. Cl.**
USPC **D12/187**
- (58) **Field of Classification Search**
USPC D12/187, 188-189; D6/300, 309
CPC .. G02B 7/182; G02B 7/18; G02B 5/08; B60R
1/076
See application file for complete search history.

References Cited

U.S. PATENT DOCUMENTS

- D283,998 S 5/1986 Tanaka
- 4,630,904 A 12/1986 Pastore
- D346,356 S 4/1994 Leu
- D400,481 S 11/1998 Stephens et al.
- D401,200 S 11/1998 Huang
- D451,869 S 12/2001 Knapp et al.
- D471,847 S 3/2003 Rumsey et al.
- D493,131 S 7/2004 Lawlor et al.
- D493,394 S 7/2004 Lawlor et al.

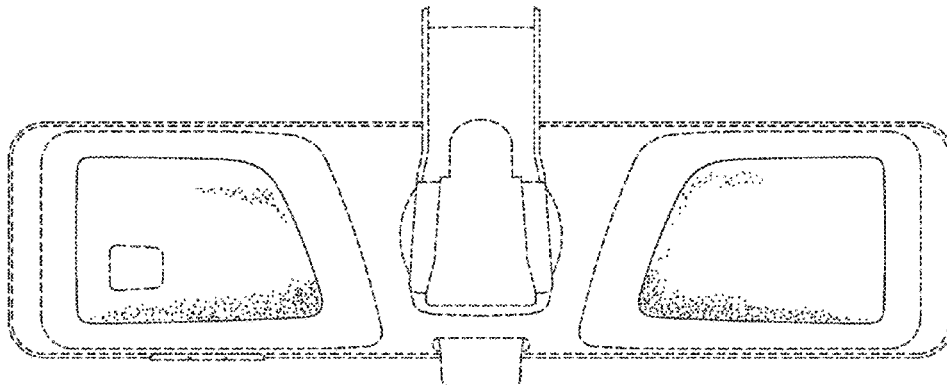
(57) **CLAIM**

We claim the ornamental design for a mirror assembly, as shown and described.

DESCRIPTION

FIG. 1 is a top rear perspective view of a mirror assembly of the present disclosure;
 FIG. 2 is a bottom rear perspective view of the mirror assembly of FIG. 1;
 FIG. 3 is a rear elevational view of the mirror assembly of FIG. 1;
 FIG. 4 is a first side elevational view of the mirror assembly of FIG. 1;
 FIG. 5 is a second side elevational view of the mirror assembly of FIG. 1;
 FIG. 6 is a top plan view of the mirror assembly of FIG. 1; and,
 FIG. 7 is a bottom plan view of the mirror assembly of FIG. 1.
 In the drawings, the broken lines depict portions of the article that form no part of the claimed design.

1 Claim, 6 Drawing Sheets



(56)

References Cited

U.S. PATENT DOCUMENTS

D797,626	S	9/2017	Hamlin et al.	
D800,618	S *	10/2017	Roth	D12/187
D809,984	S *	2/2018	Hamlin	D12/187
D817,238	S *	5/2018	Lock	D12/187
2012/0236388	A1 *	9/2012	De Wind	B60R 1/04 359/267
2013/0170013	A1 *	7/2013	Tonar	B60R 1/088 359/296
2013/0279014	A1 *	10/2013	Fish, Jr.	G02B 27/0149 359/630
2014/0022390	A1 *	1/2014	Blank	B60R 1/12 348/148
2014/0192431	A1 *	7/2014	Sloterbeek	B60R 1/12 359/871

* cited by examiner

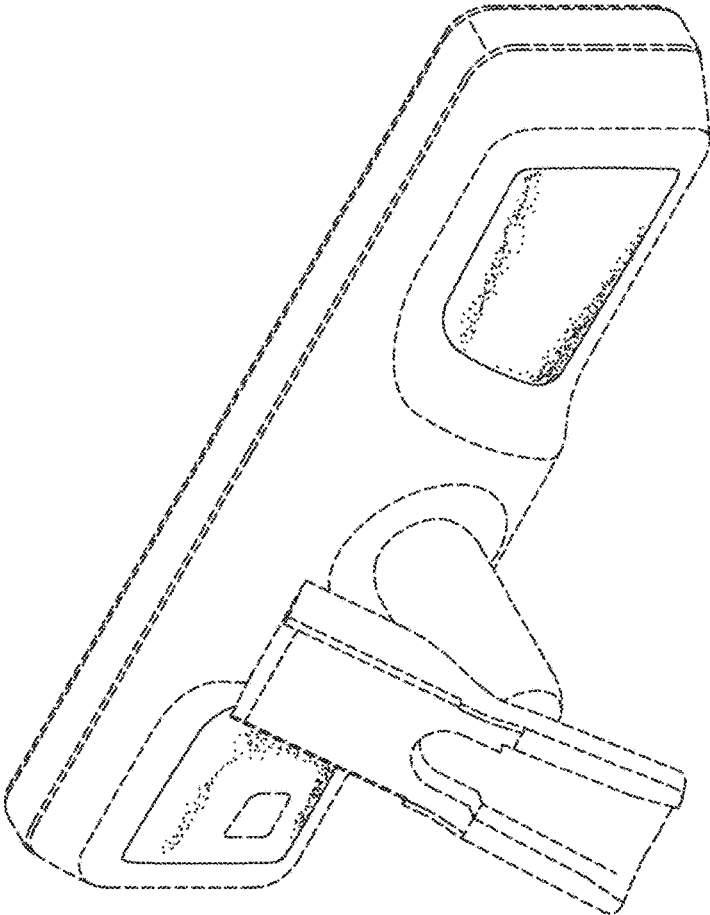


FIG. 1

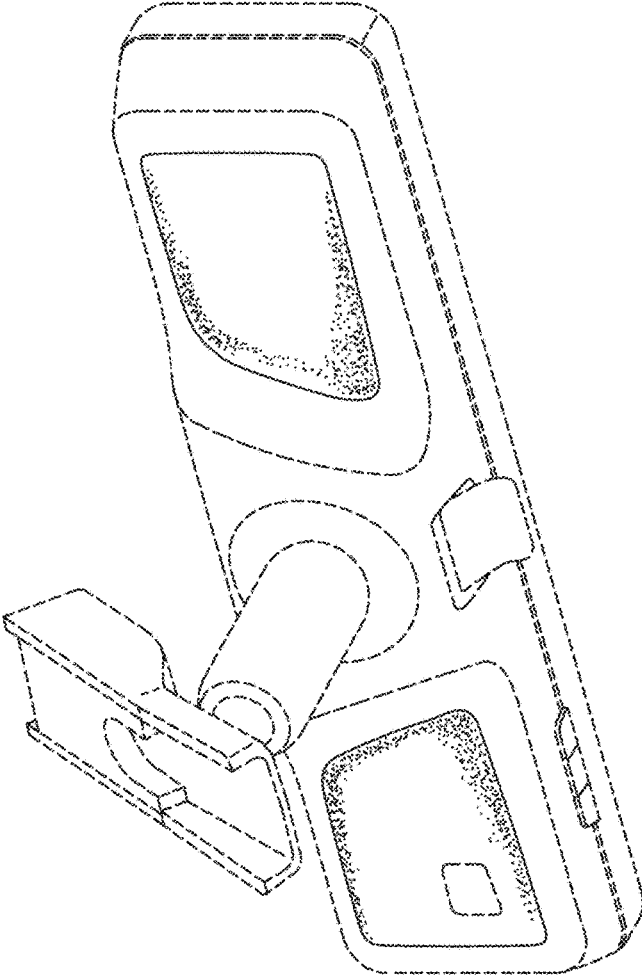


FIG. 2

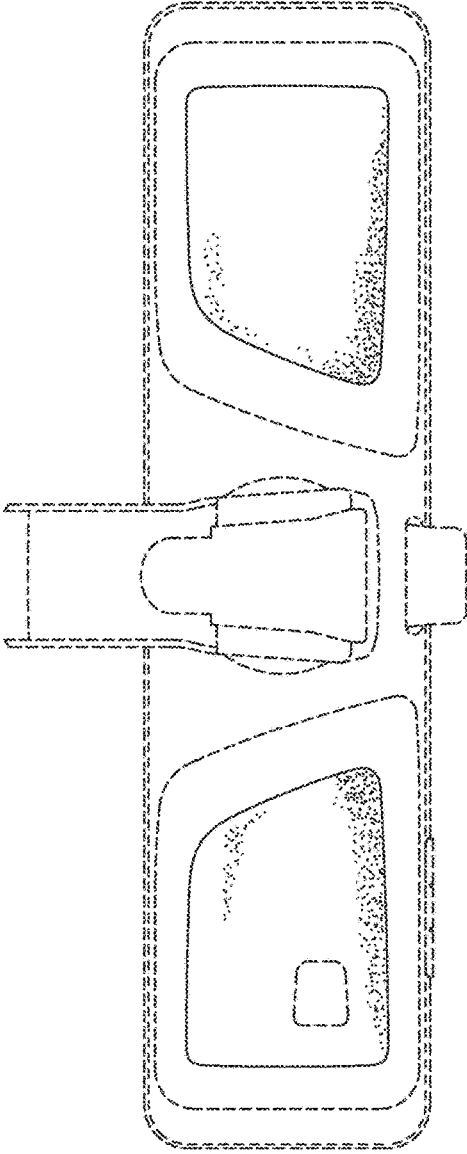


FIG. 3

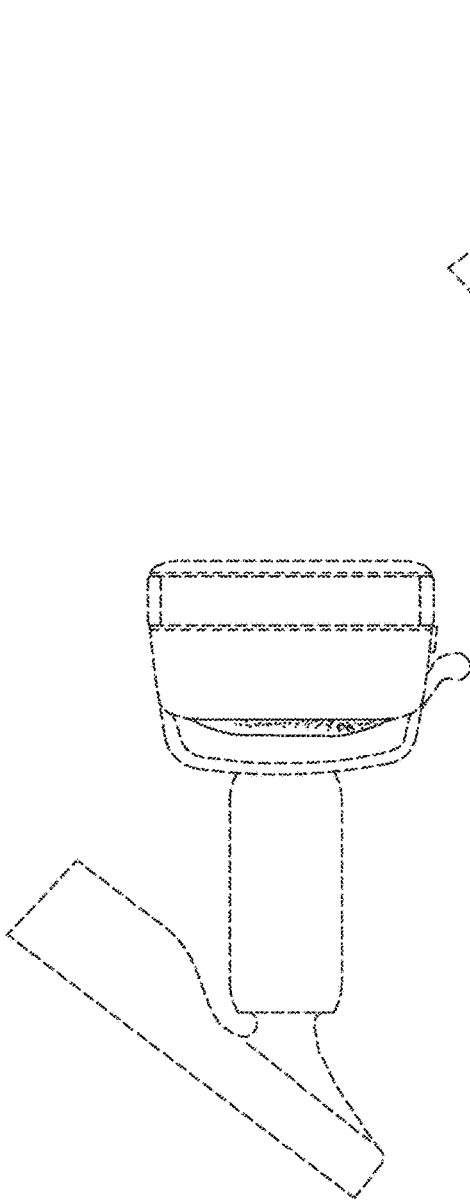


FIG. 4

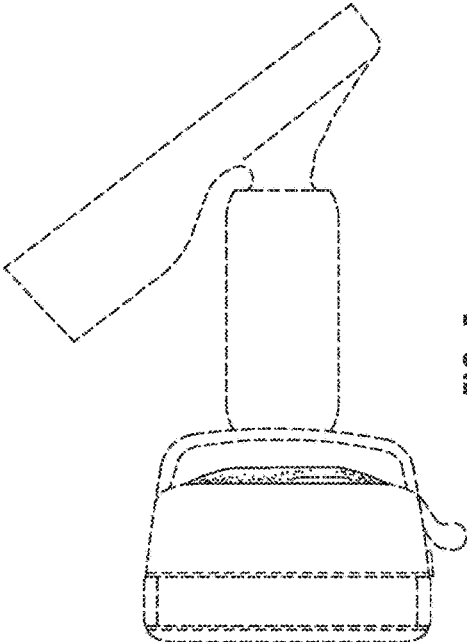


FIG. 5

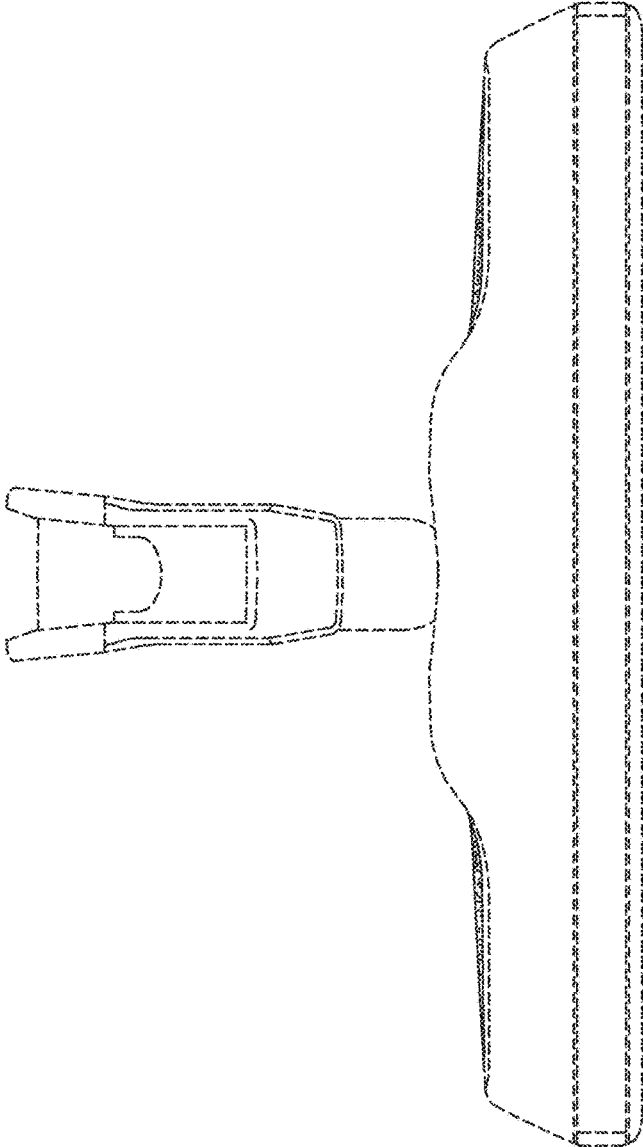


FIG. 6

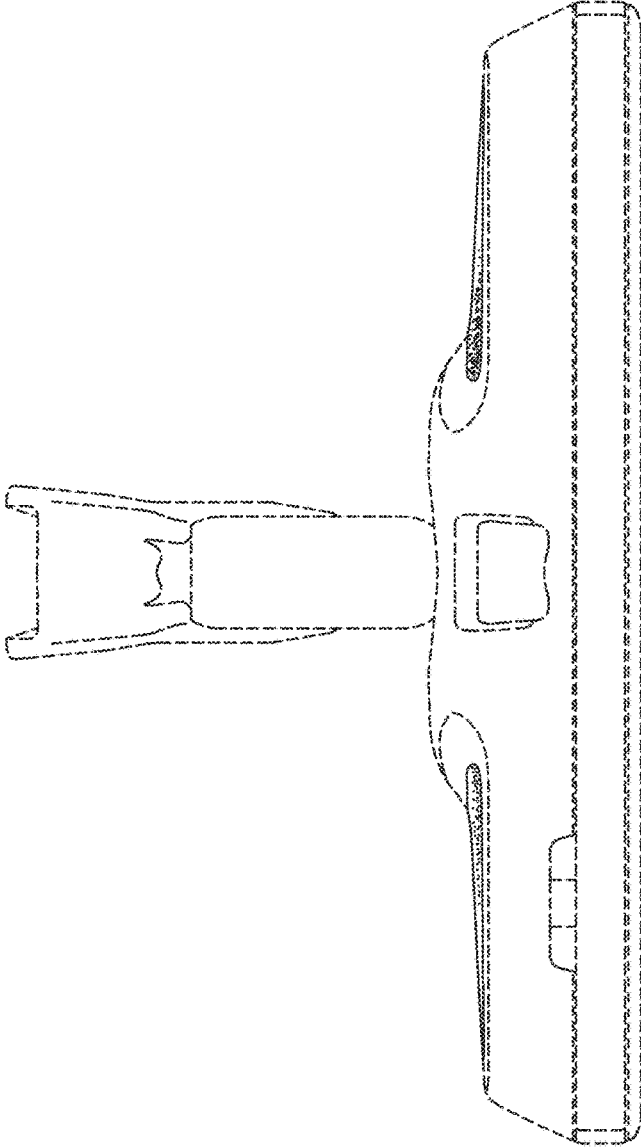


FIG. 7