



US00D395533S

# United States Patent [19]

[11] Patent Number: **Des. 395,533**

Morison et al.

[45] Date of Patent: **\*\*Jun. 23, 1998**

[54] **PALLET**

[75] Inventors: **Jim Morison**, Oshawa; **Paul Whittington**, Thornhill, both of Canada

[73] Assignee: **Gorrie Advertising Management Limited**, Mississauga, Canada

[\*\*] Term: **14 Years**

[21] Appl. No.: **47,112**

[22] Filed: **Nov. 24, 1995**

### [30] Foreign Application Priority Data

May 30, 1995	[CA]	Canada	1995-1155
Jun. 23, 1995	[CA]	Canada	1995-1418

[51] **LOC (6) Cl.** ..... **09-08**

[52] **U.S. Cl.** ..... **D34/38; D34/23**

[58] **Field of Search** ..... **D34/28, 38, 23; 108/51.1, 51.3, 55.1, 56.1; 280/35, 33.998**

### [56] References Cited

#### U.S. PATENT DOCUMENTS

D. 256,975 9/1980 Cummings ..... D34/38

D. 370,757	6/1996	Loftus et al.	.....	D34/23
1,747,352	2/1930	Devine	.....	108/51.1
1,777,694	10/1930	Halteman	.....	108/51.1
4,344,368	8/1982	Remington et al.	.....	108/51.1
5,445,396	8/1995	Sebor	.....	280/33.998

*Primary Examiner*—Alan P. Douglas  
*Assistant Examiner*—Robin V. Taylor  
*Attorney, Agent, or Firm*—Bereskin & Parr

### [57] CLAIM

The ornamental design for a pallet, shown and described.

### DESCRIPTION

FIG. 1 is a front perspective view of a pallet in accordance with the present invention;

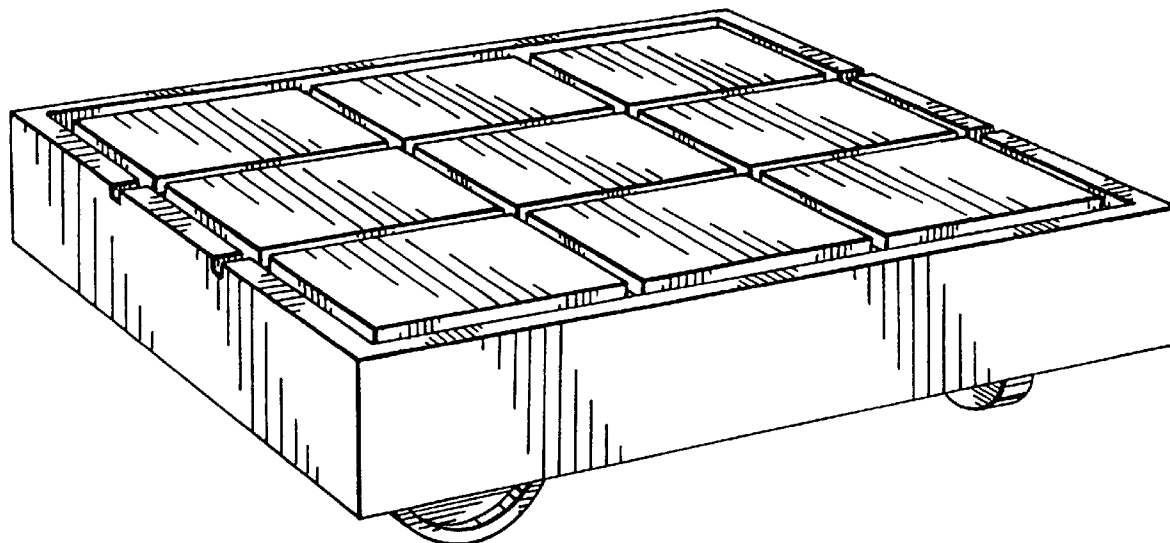
FIG. 2 is a top view of the pallet shown in FIG. 1;

FIG. 3 is a right side view of the pallet shown in FIG. 1, the other side being a mirror image;

FIG. 4 is a front view of the pallet shown in FIG. 1, the rear view being the same except for the front wheels being in horizontal position; and,

FIG. 5 is a bottom view of the pallet shown in FIG. 1.

**1 Claim, 4 Drawing Sheets**



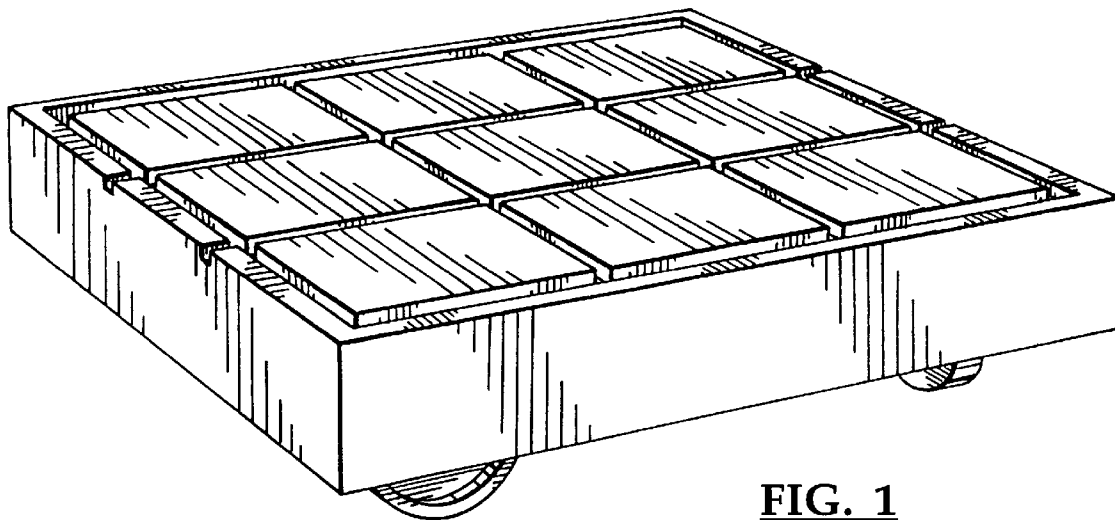


FIG. 1

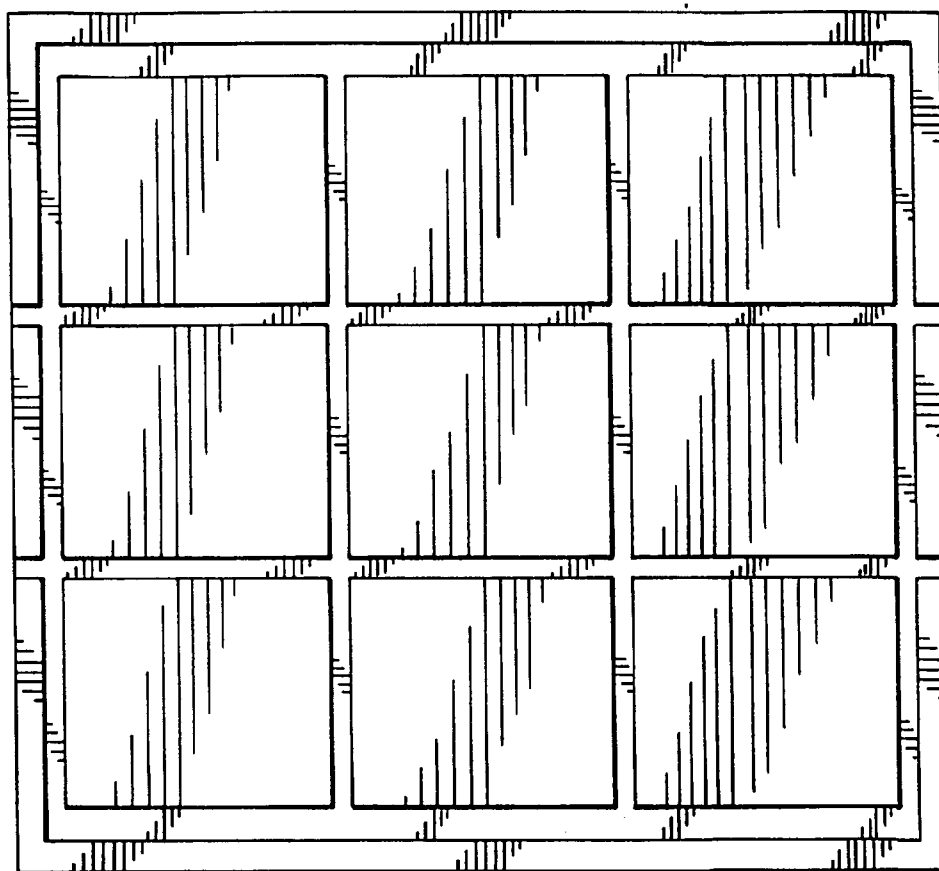


FIG. 2

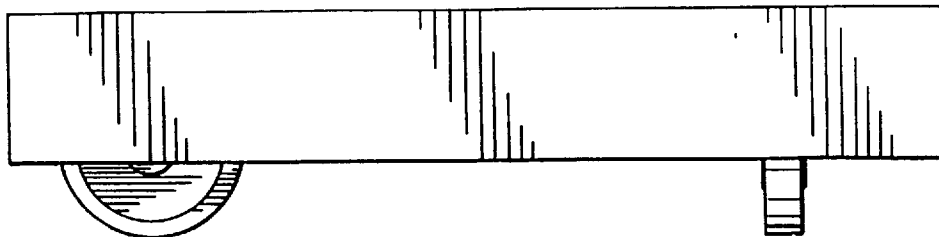


FIG. 3

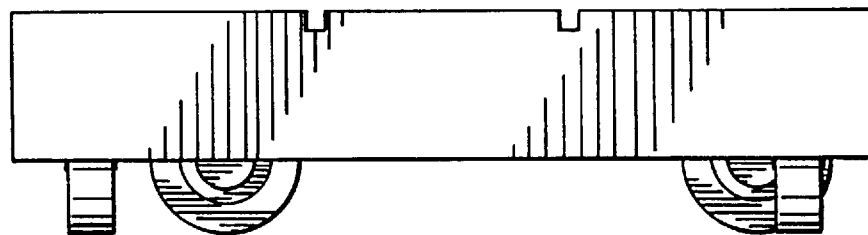


FIG. 4

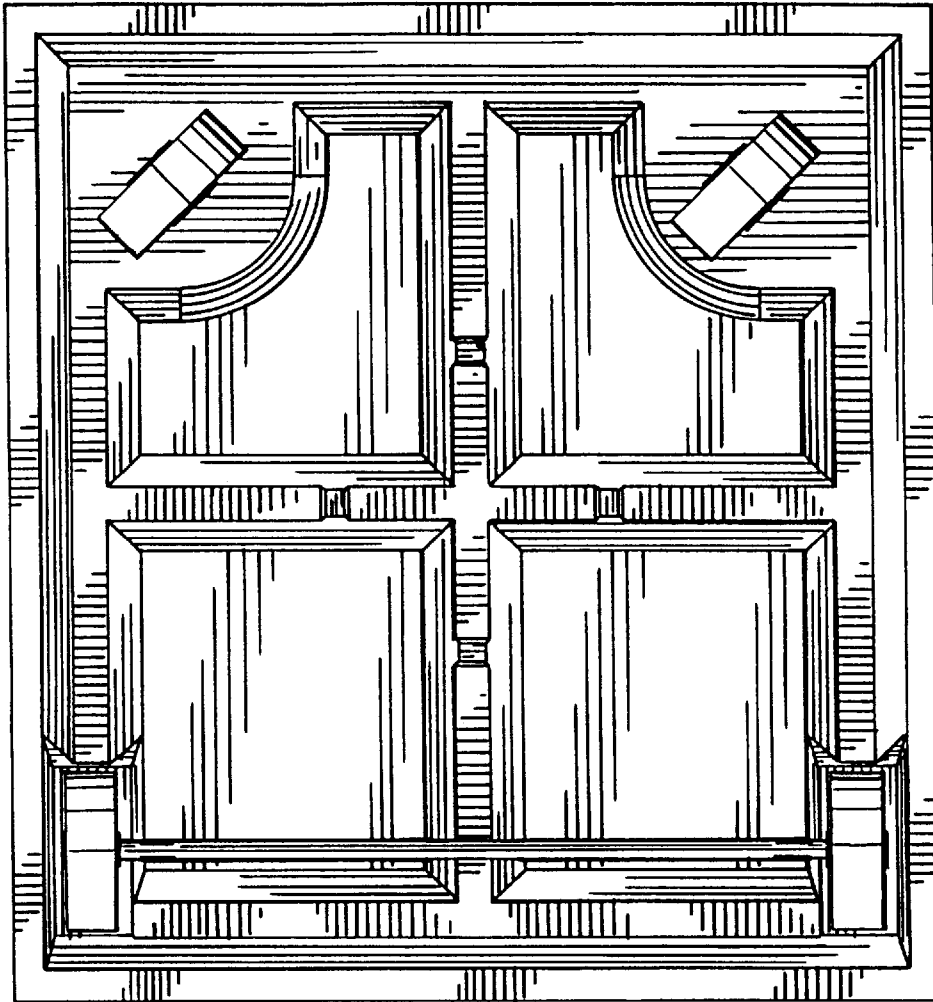


FIG. 5