

(12) NACH DEM VERTRAG ÜBER DIE INTERNATIONALE ZUSAMMENARBEIT AUF DEM GEBIET DES PATENTWESENS (PCT) VERÖFFENTLICHTE INTERNATIONALE ANMELDUNG

(19) Weltorganisation für geistiges Eigentum
Internationales Büro



(43) Internationales Veröffentlichungsdatum
21. Juli 2005 (21.07.2005)

PCT

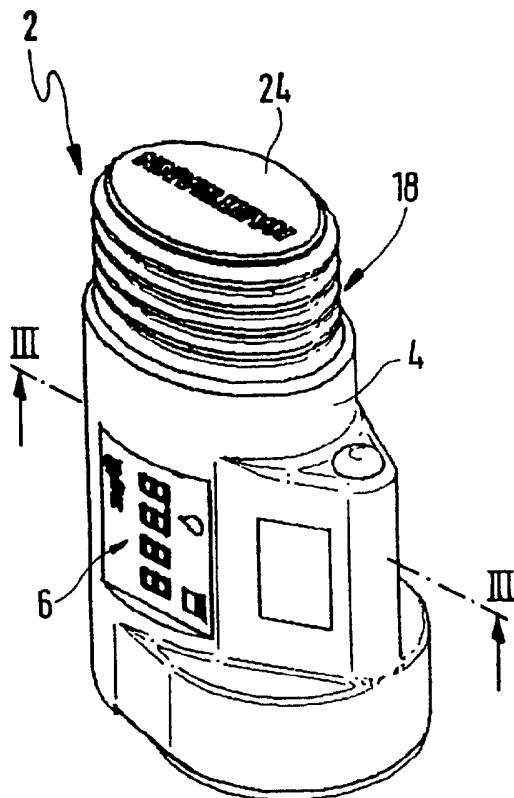
(10) Internationale Veröffentlichungsnummer
WO 2005/065545 A3

- (51) Internationale Patentklassifikation⁷: A61B 5/155
- (21) Internationales Aktenzeichen: PCT/EP2004/013825
- (22) Internationales Anmeldedatum:
4. Dezember 2004 (04.12.2004)
- (25) Einreichungssprache: Deutsch
- (26) Veröffentlichungssprache: Deutsch
- (30) Angaben zur Priorität:
103 61 562.8 23. Dezember 2003 (23.12.2003) DE
- (71) Anmelder (für alle Bestimmungsstaaten mit Ausnahme von US): PAUL HARTMANN AG [DE/DE]; Paul-Hartmann-Strasse 12, 89522 Heidenheim (DE).
- (72) Erfinder; und
- (75) Erfinder/Anmelder (nur für US): LOHRENHEL, Armin [DE/DE]; Hochfeldweg 21, 89555 Steinheim (DE). STÖHR, Herbert [DE/DE]; Signalstr. 9, 89520 Heidenheim (DE). OSTERTAG, Wolfgang [DE/DE]; Kiefernweg 2, 89547 Gerstetten (DE).
- (74) Anwalt: DREISS, FUHLENDORF, STEIMLE & BECKER; Postfach 10 37 62, 70032 Stuttgart (DE).
- (81) Bestimmungsstaaten (soweit nicht anders angegeben, für jede verfügbare nationale Schutzrechtsart): AE, AG, AL, AM, AT, AU, AZ, BA, BB, BG, BR, BW, BY, BZ, CA, CH, CN, CO, CR, CU, CZ, DE, DK, DM, DZ, EC, EE, EG, ES, FI, GB, GD, GE, GH, GM, HR, HU, ID, IL, IN, IS, JP, KE,

[Fortsetzung auf der nächsten Seite]

(54) Title: BLOOD ANALYSIS DEVICE FOR DETERMINING AN ANALYTE

(54) Bezeichnung: BLUTANALYSEGERÄT ZUR BESTIMMUNG EINES ANALYTEN



(57) Abstract: The invention relates to a blood analysis device (2) comprising a housing body (4), a blood withdrawal device (8) comprising a plurality of pricking elements (10), a plurality of testing means (14) which are used to analyse a minimal amount of blood, an evaluation device comprising an electronic evaluation system and a display device (6), which together form one complete hand-held system which is embodied as a single device. The housing body (4) can be arranged in a pricking position (12) corresponding to an operational position (30) of a respective pricking element (10) which is applied to the surface of the skin of a user. A plurality of testing means (14) and pricking elements (10) can be introduced into the device and can be arranged in a successive manner in an operational position (30) in order to carry out several measurements. When a pricking element (10) is positioned in an operational position (30), the pricking element can be inserted into the surface of the skin of a user in a pricking position (12). Blood emanating from the surface of the skin can reach a test means (14). The invention is characterised in that said blood analysis device comprises a device (18) which produces a low pressure, which can be applied to the surface of the skin immediately prior to the pricking or simultaneously with the pricking or immediately after the pricking in order to obtain a minimal amount of blood.

(57) Zusammenfassung: Die Erfindung betrifft ein Blutanalysegerät (2) mit einem Gehäusekörper (4), mit einer Mehrzahl von Stechelementen (10) aufweisenden Blutentnahmevorrichtung (8), mit einer Mehrzahl von Testmitteln (14) für die Analyse einer Minimalmenge von Blut, mit einer umfassenden Auswerteelektronik und mit einer Anzeigeeinrichtung (6), die ein als ein einziges Gerät handhabbares Komplettsystem

[Fortsetzung auf der nächsten Seite]

WO 2005/065545 A3



KG, KP, KR, KZ, LC, LK, LR, LS, LT, LU, LV, MA, MD, MG, MK, MN, MW, MX, MZ, NA, NI, NO, NZ, OM, PG, PH, PL, PT, RO, RU, SC, SD, SE, SG, SK, SL, SY, TJ, TM, TN, TR, TT, TZ, UA, UG, US, UZ, VC, VN, YU, ZA, ZM, ZW.

(84) Bestimmungsstaaten (soweit nicht anders angegeben, für jede verfügbare regionale Schutzrechtsart): ARIPO (BW, GH, GM, KE, LS, MW, MZ, NA, SD, SL, SZ, TZ, UG, ZM, ZW), eurasisches (AM, AZ, BY, KG, KZ, MD, RU, TJ, TM), europäisches (AT, BE, BG, CH, CY, CZ, DE, DK, EE, ES, FI, FR, GB, GR, HU, IE, IS, IT, LT, LU, MC, NL, PL, PT, RO, SE, SI, SK, TR), OAPI (BF, BJ, CF, CG, CI, CM, GA, GN, GQ, GW, ML, MR, NE, SN, TD, TG).

Veröffentlicht:

- mit internationalem Recherchenbericht
- vor Ablauf der für Änderungen der Ansprüche geltenden Frist; Veröffentlichung wird wiederholt, falls Änderungen eintreffen

**(88) Veröffentlichungsdatum des internationalen
Recherchenberichts:**

27. Oktober 2005

Zur Erklärung der Zweibuchstaben-Codes und der anderen Abkürzungen wird auf die Erklärungen ("Guidance Notes on Codes and Abbreviations") am Anfang jeder regulären Ausgabe der PCT-Gazette verwiesen.

bilden, wobei der Gehäusekörper (4) eine einer Arbeitsposition (30) eines jeweiligen Stechelements (10) zugeordnete Stechposition (12) zum Anlegen einer Hautoberfläche eines Benutzers aufweist, wobei eine Mehrzahl von Testmitteln (14) und Stechelementen (10) in das Gerät einsetzbar ist, die zur Durchführung mehrerer Messungen nacheinander in eine Arbeitsposition (30) bringbar sind, wobei bei Positionierung eines Stechelements (10) in seiner Arbeitsposition (30) das Stechelement (10) in die an der Stechposition (12) angelegte Hautoberfläche eines Benutzers einstechbar ist und aus der Hautoberfläche austretendes Blut auf ein Testmittel (14) gelangen kann, dadurch gekennzeichnet, dass eine Unterdruck erzeugende Einrichtung (18) vorgesehen ist, mittels derer schon unmittelbar vor der Ausführung oder gleichzeitig mit der Ausführung oder unmittelbar im Anschluss an die Ausführung des Stechvorgangs zur Unterstützung der Gewinnung einer Minimalmenge von Blut ein Unterdruck an die Hautoberfläche anlegbar ist.

INTERNATIONAL SEARCH REPORT

international Application No
PCT/EP2004/013825

<p>A. CLASSIFICATION OF SUBJECT MATTER IPC 7 A61B5/155</p> <p>According to International Patent Classification (IPC) or to both national classification and IPC</p>																	
<p>B. FIELDS SEARCHED</p> <p>Minimum documentation searched (classification system followed by classification symbols) IPC 7 A61B</p> <p>Documentation searched other than minimum documentation to the extent that such documents are included in the fields searched</p> <p>Electronic data base consulted during the international search (name of data base and, where practical, search terms used) EPO-Internal, WPI Data, PAJ</p>																	
<p>C. DOCUMENTS CONSIDERED TO BE RELEVANT</p> <table border="1"> <thead> <tr> <th>Category °</th> <th>Citation of document, with indication, where appropriate, of the relevant passages</th> <th>Relevant to claim No.</th> </tr> </thead> <tbody> <tr> <td>X Y</td> <td>EP 1 360 932 A (LIFESCAN, INC) 12 November 2003 (2003-11-12) paragraph [0074] - paragraph [0079] paragraph [0083] - paragraph [0086]; figure 5</td> <td>1-4, 13, 40 5-9, 41-45</td> </tr> <tr> <td>Y A</td> <td>US 6 364 890 B1 (LUM PAUL ET AL) 2 April 2002 (2002-04-02) column 11, line 32 - column 12, line 23 column 13, line 63 - column 14, line 40</td> <td>5-9, 41-45 1, 40</td> </tr> <tr> <td>A</td> <td>US 2003/083685 A1 (FREEMAN DOMINIQUE M ET AL) 1 May 2003 (2003-05-01) paragraph [0317] - paragraph [0327] paragraph [0346] - paragraph [0350] paragraph [0368]; figures 71-73</td> <td>1, 10-15, 40, 46-48</td> </tr> <tr> <td></td> <td style="text-align: center;">-/--</td> <td></td> </tr> </tbody> </table>			Category °	Citation of document, with indication, where appropriate, of the relevant passages	Relevant to claim No.	X Y	EP 1 360 932 A (LIFESCAN, INC) 12 November 2003 (2003-11-12) paragraph [0074] - paragraph [0079] paragraph [0083] - paragraph [0086]; figure 5	1-4, 13, 40 5-9, 41-45	Y A	US 6 364 890 B1 (LUM PAUL ET AL) 2 April 2002 (2002-04-02) column 11, line 32 - column 12, line 23 column 13, line 63 - column 14, line 40	5-9, 41-45 1, 40	A	US 2003/083685 A1 (FREEMAN DOMINIQUE M ET AL) 1 May 2003 (2003-05-01) paragraph [0317] - paragraph [0327] paragraph [0346] - paragraph [0350] paragraph [0368]; figures 71-73	1, 10-15, 40, 46-48		-/--	
Category °	Citation of document, with indication, where appropriate, of the relevant passages	Relevant to claim No.															
X Y	EP 1 360 932 A (LIFESCAN, INC) 12 November 2003 (2003-11-12) paragraph [0074] - paragraph [0079] paragraph [0083] - paragraph [0086]; figure 5	1-4, 13, 40 5-9, 41-45															
Y A	US 6 364 890 B1 (LUM PAUL ET AL) 2 April 2002 (2002-04-02) column 11, line 32 - column 12, line 23 column 13, line 63 - column 14, line 40	5-9, 41-45 1, 40															
A	US 2003/083685 A1 (FREEMAN DOMINIQUE M ET AL) 1 May 2003 (2003-05-01) paragraph [0317] - paragraph [0327] paragraph [0346] - paragraph [0350] paragraph [0368]; figures 71-73	1, 10-15, 40, 46-48															
	-/--																
<p><input checked="" type="checkbox"/> Further documents are listed in the continuation of box C. <input checked="" type="checkbox"/> Patent family members are listed in annex.</p>																	
<p>° Special categories of cited documents :</p> <table border="0"> <tr> <td style="vertical-align: top;"> <p>"A" document defining the general state of the art which is not considered to be of particular relevance</p> <p>"E" earlier document but published on or after the international filing date</p> <p>"L" document which may throw doubts on priority claim(s) or which is cited to establish the publication date of another citation or other special reason (as specified)</p> <p>"O" document referring to an oral disclosure, use, exhibition or other means</p> <p>"P" document published prior to the international filing date but later than the priority date claimed</p> </td> <td style="vertical-align: top;"> <p>"T" later document published after the international filing date or priority date and not in conflict with the application but cited to understand the principle or theory underlying the invention</p> <p>"X" document of particular relevance; the claimed invention cannot be considered novel or cannot be considered to involve an inventive step when the document is taken alone</p> <p>"Y" document of particular relevance; the claimed invention cannot be considered to involve an inventive step when the document is combined with one or more other such documents, such combination being obvious to a person skilled in the art.</p> <p>"&" document member of the same patent family</p> </td> </tr> </table>			<p>"A" document defining the general state of the art which is not considered to be of particular relevance</p> <p>"E" earlier document but published on or after the international filing date</p> <p>"L" document which may throw doubts on priority claim(s) or which is cited to establish the publication date of another citation or other special reason (as specified)</p> <p>"O" document referring to an oral disclosure, use, exhibition or other means</p> <p>"P" document published prior to the international filing date but later than the priority date claimed</p>	<p>"T" later document published after the international filing date or priority date and not in conflict with the application but cited to understand the principle or theory underlying the invention</p> <p>"X" document of particular relevance; the claimed invention cannot be considered novel or cannot be considered to involve an inventive step when the document is taken alone</p> <p>"Y" document of particular relevance; the claimed invention cannot be considered to involve an inventive step when the document is combined with one or more other such documents, such combination being obvious to a person skilled in the art.</p> <p>"&" document member of the same patent family</p>													
<p>"A" document defining the general state of the art which is not considered to be of particular relevance</p> <p>"E" earlier document but published on or after the international filing date</p> <p>"L" document which may throw doubts on priority claim(s) or which is cited to establish the publication date of another citation or other special reason (as specified)</p> <p>"O" document referring to an oral disclosure, use, exhibition or other means</p> <p>"P" document published prior to the international filing date but later than the priority date claimed</p>	<p>"T" later document published after the international filing date or priority date and not in conflict with the application but cited to understand the principle or theory underlying the invention</p> <p>"X" document of particular relevance; the claimed invention cannot be considered novel or cannot be considered to involve an inventive step when the document is taken alone</p> <p>"Y" document of particular relevance; the claimed invention cannot be considered to involve an inventive step when the document is combined with one or more other such documents, such combination being obvious to a person skilled in the art.</p> <p>"&" document member of the same patent family</p>																
<p>Date of the actual completion of the international search</p> <p style="text-align: center;">9 June 2005</p>		<p>Date of mailing of the international search report</p> <p style="text-align: center;">02.09.2005</p>															
<p>Name and mailing address of the ISA</p> <p>European Patent Office, P.B. 5818 Patentlaan 2 NL - 2280 HV Rijswijk Tel. (+31-70) 340-2040, Tx. 31 651 epo nl, Fax: (+31-70) 340-3016</p>		<p>Authorized officer</p> <p style="text-align: center;">Ruff, C</p>															

INTERNATIONAL SEARCH REPORT

International Application No
PCT/EP2004/013825

C.(Continuation) DOCUMENTS CONSIDERED TO BE RELEVANT

Category	Citation of document, with indication, where appropriate, of the relevant passages	Relevant to claim No.
A	EP 0 798 004 A (WAGNER, WOLFGANG, DR.MED) 1 October 1997 (1997-10-01) the whole document -----	1,5-15, 40-48

INTERNATIONAL SEARCH REPORT

International application No.
PCT/EP2004/013825

Box I Observations where certain claims were found unsearchable (Continuation of item 1 of first sheet)

This international search report has not been established in respect of certain claims under Article 17(2)(a) for the following reasons:

1. Claims Nos.:
because they relate to subject matter not required to be searched by this Authority, namely:

2. Claims Nos.:
because they relate to parts of the international application that do not comply with the prescribed requirements to such an extent that no meaningful international search can be carried out, specifically:

3. Claims Nos.:
because they are dependent claims and are not drafted in accordance with the second and third sentences of Rule 6.4(a).

Box II Observations where unity of invention is lacking (Continuation of item 2 of first sheet)

This International Searching Authority found multiple inventions in this international application, as follows:

see supplemental sheet

1. As all required additional search fees were timely paid by the applicant, this international search report covers all searchable claims.
2. As all searchable claims could be searched without effort justifying an additional fee, this Authority did not invite payment of any additional fee.
3. As only some of the required additional search fees were timely paid by the applicant, this international search report covers only those claims for which fees were paid, specifically claims Nos.:

4. No required additional search fees were timely paid by the applicant. Consequently, this international search report is restricted to the invention first mentioned in the claims; it is covered by claims Nos.:
1-15, 40-48

Remark on Protest

- The additional search fees were accompanied by the applicant's protest.
 No protest accompanied the payment of additional search fees.

The International Searching Authority has determined that this international application contains multiple (groups of) inventions, namely

1. Claims 1-15, 40-48

apparatus for hemanalysis with a device that generates a negative pressure.

2. Claims 16-39, 49-67

apparatus for hemanalysis with pricking elements displaceably held in a holding capsule.

INTERNATIONAL SEARCH REPORT

Information on patent family members

International Application No

PCT/EP2004/013825

Patent document cited in search report	A	Publication date	Patent family member(s)	Publication date
EP 1360932	A	12-11-2003	US 2003212346 A1	13-11-2003
			CA 2427861 A1	09-11-2003
			CN 1456886 A	19-11-2003
			EP 1360932 A1	12-11-2003
			JP 2004113772 A	15-04-2004
			SG 106686 A1	29-10-2004

US 6364890	B1	02-04-2002	US 6132449 A	17-10-2000

US 2003083685	A1	01-05-2003	AU 2002344767 A1	11-11-2003
			AU 2003231749 A1	03-11-2003
			EP 1501427 A1	02-02-2005
			EP 1501402 A2	02-02-2005
			WO 03094752 A1	20-11-2003
			WO 03088824 A2	30-10-2003
			CA 2448790 A1	19-12-2002
			EP 1395185 A2	10-03-2004
			JP 2005517463 T	16-06-2005
			WO 02100460 A2	19-12-2002
			WO 03088851 A1	30-10-2003
			US 2003083686 A1	01-05-2003
			EP 1404218 A2	07-04-2004
			WO 02101343 A2	19-12-2002
			EP 1404234 A2	07-04-2004
			WO 02100461 A2	19-12-2002
			US 2005101980 A1	12-05-2005
			CA 2448902 A1	19-12-2002
			EP 1404233 A2	07-04-2004
			JP 2005504564 T	17-02-2005
			WO 02100251 A2	19-12-2002
			CA 2448905 A1	19-12-2002
			EP 1404232 A2	07-04-2004
			JP 2004528936 T	24-09-2004
			WO 02100252 A2	19-12-2002
			US 2005101979 A1	12-05-2005
			CA 2448681 A1	19-12-2002
			EP 1406537 A2	14-04-2004
			JP 2005506857 T	10-03-2005
			WO 02101359 A2	19-12-2002
			EP 1404235 A2	07-04-2004
			WO 02100254 A2	19-12-2002
			US 2005101981 A1	12-05-2005

EP 0798004	A	01-10-1997	DE 19705091 A1	11-02-1999
			CA 2201530 A1	29-09-1997
			EP 0798004 A1	01-10-1997
			DE 19722852 A1	01-07-1999
			EP 0861670 A2	02-09-1998

INTERNATIONALE RESEARCHENBERICHT

Internationales Aktenzeichen

PCT/EP2004/013825

A. KLASSIFIZIERUNG DES ANMELDUNGSGEGENSTANDES
IPK 7 A61B5/155

Nach der Internationalen Patentklassifikation (IPK) oder nach der nationalen Klassifikation und der IPK

B. RESEARCHIERTE GEBIETE

Researchierter Mindestprüfstoff (Klassifikationssystem und Klassifikationssymbole)
IPK 7 A61B

Researchierte aber nicht zum Mindestprüfstoff gehörende Veröffentlichungen, soweit diese unter die researchierten Gebiete fallen

Während der internationalen Recherche konsultierte elektronische Datenbank (Name der Datenbank und evtl. verwendete Suchbegriffe)

EPO-Internal, WPI Data, PAJ

C. ALS WESENTLICH ANGESEHENE UNTERLAGEN

Kategorie*	Bezeichnung der Veröffentlichung, soweit erforderlich unter Angabe der in Betracht kommenden Teile	Betr. Anspruch Nr.
X	EP 1 360 932 A (LIFESCAN, INC) 12. November 2003 (2003-11-12)	1-4,13, 40
Y	Absatz [0074] - Absatz [0079] Absatz [0083] - Absatz [0086]; Abbildung 5 -----	5-9, 41-45
Y	US 6 364 890 B1 (LUM PAUL ET AL) 2. April 2002 (2002-04-02)	5-9, 41-45
A	Spalte 11, Zeile 32 - Spalte 12, Zeile 23 Spalte 13, Zeile 63 - Spalte 14, Zeile 40 -----	1,40
A	US 2003/083685 A1 (FREEMAN DOMINIQUE M ET AL) 1. Mai 2003 (2003-05-01) Absatz [0317] - Absatz [0327] Absatz [0346] - Absatz [0350] Absatz [0368]; Abbildungen 71-73 -----	1,10-15, 40,46-48
	-/--	

Weitere Veröffentlichungen sind der Fortsetzung von Feld C zu entnehmen

Siehe Anhang Patentfamilie

* Besondere Kategorien von angegebenen Veröffentlichungen :

"A" Veröffentlichung, die den allgemeinen Stand der Technik definiert, aber nicht als besonders bedeutsam anzusehen ist

"E" älteres Dokument, das jedoch erst am oder nach dem internationalen Anmeldedatum veröffentlicht worden ist

"L" Veröffentlichung, die geeignet ist, einen Prioritätsanspruch zweifelhaft erscheinen zu lassen, oder durch die das Veröffentlichungsdatum einer anderen im Recherchenbericht genannten Veröffentlichung belegt werden soll oder die aus einem anderen besonderen Grund angegeben ist (wie ausgeführt)

"O" Veröffentlichung, die sich auf eine mündliche Offenbarung, eine Benutzung, eine Ausstellung oder andere Maßnahmen bezieht

"P" Veröffentlichung, die vor dem internationalen Anmeldedatum, aber nach dem beanspruchten Prioritätsdatum veröffentlicht worden ist

"T" Spätere Veröffentlichung, die nach dem internationalen Anmeldedatum oder dem Prioritätsdatum veröffentlicht worden ist und mit der Anmeldung nicht kollidiert, sondern nur zum Verständnis des der Erfindung zugrundeliegenden Prinzips oder der ihr zugrundeliegenden Theorie angegeben ist

"X" Veröffentlichung von besonderer Bedeutung; die beanspruchte Erfindung kann allein aufgrund dieser Veröffentlichung nicht als neu oder auf erfinderischer Tätigkeit beruhend betrachtet werden

"Y" Veröffentlichung von besonderer Bedeutung; die beanspruchte Erfindung kann nicht als auf erfinderischer Tätigkeit beruhend betrachtet werden, wenn die Veröffentlichung mit einer oder mehreren anderen Veröffentlichungen dieser Kategorie in Verbindung gebracht wird und diese Verbindung für einen Fachmann naheliegend ist

"&" Veröffentlichung, die Mitglied derselben Patentfamilie ist

Datum des Abschlusses der internationalen Recherche

9. Juni 2005

Absenddatum des internationalen Recherchenberichts

02.09.2005

Name und Postanschrift der Internationalen Recherchenbehörde
Europäisches Patentamt, P.B. 5818 Patentlaan 2
NL - 2280 HV Rijswijk
Tel. (+31-70) 340-2040, Tx. 31 651 epo nl,
Fax: (+31-70) 340-3016

Bevollmächtigter Bediensteter

Ruff, C

C.(Fortsetzung) ALS WESENTLICH ANGESEHENE UNTERLAGEN		
Kategorie°	Bezeichnung der Veröffentlichung, soweit erforderlich unter Angabe der in Betracht kommenden Teile	Betr. Anspruch Nr.
A	EP 0 798 004 A (WAGNER, WOLFGANG, DR.MED) 1. Oktober 1997 (1997-10-01) das ganze Dokument -----	1,5-15, 40-48

Feld II Bemerkungen zu den Ansprüchen, die sich als nicht recherchierbar erwiesen haben (Fortsetzung von Punkt 2 auf Blatt 1)

Gemäß Artikel 17(2)a) wurde aus folgenden Gründen für bestimmte Ansprüche kein Recherchenbericht erstellt:

1. Ansprüche Nr.
weil sie sich auf Gegenstände beziehen, zu deren Recherche die Behörde nicht verpflichtet ist, nämlich

2. Ansprüche Nr.
weil sie sich auf Teile der internationalen Anmeldung beziehen, die den vorgeschriebenen Anforderungen so wenig entsprechen, daß eine sinnvolle internationale Recherche nicht durchgeführt werden kann, nämlich

3. Ansprüche Nr.
weil es sich dabei um abhängige Ansprüche handelt, die nicht entsprechend Satz 2 und 3 der Regel 6.4 a) abgefaßt sind.

Feld III Bemerkungen bei mangelnder Einheitlichkeit der Erfindung (Fortsetzung von Punkt 3 auf Blatt 1)

Die internationale Recherchenbehörde hat festgestellt, daß diese internationale Anmeldung mehrere Erfindungen enthält:

siehe Zusatzblatt

1. Da der Anmelder alle erforderlichen zusätzlichen Recherchegebühren rechtzeitig entrichtet hat, erstreckt sich dieser internationale Recherchenbericht auf alle recherchierbaren Ansprüche.

2. Da für alle recherchierbaren Ansprüche die Recherche ohne einen Arbeitsaufwand durchgeführt werden konnte, der eine zusätzliche Recherchegebühr gerechtfertigt hätte, hat die Behörde nicht zur Zahlung einer solchen Gebühr aufgefordert.

3. Da der Anmelder nur einige der erforderlichen zusätzlichen Recherchegebühren rechtzeitig entrichtet hat, erstreckt sich dieser internationale Recherchenbericht nur auf die Ansprüche, für die Gebühren entrichtet worden sind, nämlich auf die Ansprüche Nr.

4. Der Anmelder hat die erforderlichen zusätzlichen Recherchegebühren nicht rechtzeitig entrichtet. Der internationale Recherchenbericht beschränkt sich daher auf die in den Ansprüchen zuerst erwähnte Erfindung; diese ist in folgenden Ansprüchen erfaßt:
1-15, 40-48

Bemerkungen hinsichtlich eines Widerspruchs

- Die zusätzlichen Gebühren wurden vom Anmelder unter Widerspruch gezahlt.
- Die Zahlung zusätzlicher Recherchegebühren erfolgte ohne Widerspruch.

WEITERE ANGABEN

PCT/ISA/ 210

Die internationale Recherchenbehörde hat festgestellt, dass diese internationale Anmeldung mehrere (Gruppen von) Erfindungen enthält, nämlich:

1. Ansprüche: 1-15, 40-48

Blutanalysegerät mit einer eine Unterdruck erzeugende Einrichtung.

2. Ansprüche: 16-39, 49-67

Blutanalysegerät mit in einer Aufnahmhülse verschieblich aufgenommenen Stechelementen.

INTERNATIONALE RESEARCHENBERICHT

Angaben zu Veröffentlichungen, die zur selben Patentfamilie gehören

Internationales Aktenzeichen

PCT/EP2004/013825

Im Recherchenbericht angeführtes Patentdokument	Datum der Veröffentlichung	Mitglied(er) der Patentfamilie	Datum der Veröffentlichung
EP 1360932	A	12-11-2003	US 2003212346 A1 13-11-2003
			CA 2427861 A1 09-11-2003
			CN 1456886 A 19-11-2003
			EP 1360932 A1 12-11-2003
			JP 2004113772 A 15-04-2004
			SG 106686 A1 29-10-2004

US 6364890	B1	02-04-2002	US 6132449 A 17-10-2000

US 2003083685	A1	01-05-2003	AU 2002344767 A1 11-11-2003
			AU 2003231749 A1 03-11-2003
			EP 1501427 A1 02-02-2005
			EP 1501402 A2 02-02-2005
			WO 03094752 A1 20-11-2003
			WO 03088824 A2 30-10-2003
			CA 2448790 A1 19-12-2002
			EP 1395185 A2 10-03-2004
			JP 2005517463 T 16-06-2005
			WO 02100460 A2 19-12-2002
			WO 03088851 A1 30-10-2003
			US 2003083686 A1 01-05-2003
			EP 1404218 A2 07-04-2004
			WO 02101343 A2 19-12-2002
			EP 1404234 A2 07-04-2004
			WO 02100461 A2 19-12-2002
			US 2005101980 A1 12-05-2005
			CA 2448902 A1 19-12-2002
			EP 1404233 A2 07-04-2004
			JP 2005504564 T 17-02-2005
			WO 02100251 A2 19-12-2002
			CA 2448905 A1 19-12-2002
			EP 1404232 A2 07-04-2004
			JP 2004528936 T 24-09-2004
			WO 02100252 A2 19-12-2002
			US 2005101979 A1 12-05-2005
			CA 2448681 A1 19-12-2002
EP 1406537 A2 14-04-2004			
JP 2005506857 T 10-03-2005			
WO 02101359 A2 19-12-2002			
EP 1404235 A2 07-04-2004			
WO 02100254 A2 19-12-2002			
US 2005101981 A1 12-05-2005			

EP 0798004	A	01-10-1997	DE 19705091 A1 11-02-1999
			CA 2201530 A1 29-09-1997
			EP 0798004 A1 01-10-1997
			DE 19722852 A1 01-07-1999
			EP 0861670 A2 02-09-1998
