



US00D921194S

(12) **United States Design Patent**  
**Fugo**

(10) **Patent No.:** **US D921,194 S**  
(45) **Date of Patent:** **\*\* Jun. 1, 2021**

- (54) **TRIANGULAR HYPODERMIC NEEDLE ARRAY**
- (71) Applicant: **Jonathan Robin Fugo**, Wappingers Falls, NY (US)
- (72) Inventor: **Jonathan Robin Fugo**, Wappingers Falls, NY (US)
- (73) Assignee: **GRAVITY HOLDINGS, LLC**, Wappingers Falls, NY (US)
- (\*\*) Term: **15 Years**
- (21) Appl. No.: **29/736,612**
- (22) Filed: **Jun. 2, 2020**

8,696,637	B2 *	4/2014	Ross	.....	A61M 5/14248
					604/173
2004/0072105	A1 *	4/2004	Yeshurun	.....	A61M 37/0015
					430/313
2004/0249405	A1 *	12/2004	Watanabe	.....	A61B 5/150503
					606/181
2005/0034200	A1 *	2/2005	Montemagno	....	A61M 37/0015
					427/2.28
2010/0048744	A1 *	2/2010	Park	.....	B29C 35/0261
					521/50
2011/0005669	A1 *	1/2011	Lee	.....	A61B 5/685
					156/256
2014/0142492	A1 *	5/2014	Jung	.....	A61M 37/0015
					604/21
2014/0257188	A1 *	9/2014	Kendall	.....	A61M 37/0015
					604/173
2015/0112283	A1 *	4/2015	Tagami	.....	A61M 37/0015
					604/272

(Continued)

**Related U.S. Application Data**

- (63) Continuation-in-part of application No. 15/931,631, filed on May 14, 2020.

- (51) **LOC (13) Cl.** ..... **24-02**
- (52) **U.S. Cl.** ..... **D24/130**

- (58) **Field of Classification Search**
- USPC ..... D24/112-114, 108, 133, 130, 127, 186; 606/181, 185; 604/264, 272, 187, 181, 604/184, 227
- CPC .... A61M 37/0015; A61M 5/178; A61M 3/00; A61M 5/20; A61M 5/31; A61M 5/3146; A61M 5/3129; A61M 5/3148; A61M 5/315; B29C 35/0261
- See application file for complete search history.

(56) **References Cited**

**U.S. PATENT DOCUMENTS**

- 6,132,449 A \* 10/2000 Lum ..... A61B 5/150022 606/181
- 6,551,338 B1 \* 4/2003 Chiu ..... A61B 17/34 128/898

*Primary Examiner* — David G Muller

(74) *Attorney, Agent, or Firm* — Bryan Cave Leighton Paisner, LLP

(57) **CLAIM**

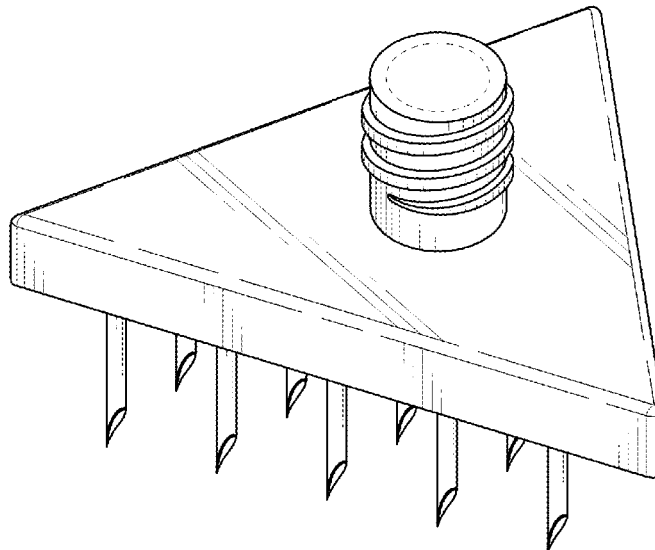
The ornamental design for a triangular hypodermic needle array, as shown and described.

**DESCRIPTION**

FIG. 1 is a top perspective view of a triangular hypodermic needle array;  
 FIG. 2 is a bottom perspective view thereof;  
 FIG. 3 is a front view thereof;  
 FIG. 4 is a rear view thereof;  
 FIG. 5 is a left side view thereof;  
 FIG. 6 is a right side view thereof;  
 FIG. 7 is a top view thereof; and,  
 FIG. 8 is a bottom view thereof.

The broken line showing of parts of the drawings is included for the purpose of illustrating use and environment and forms no part of the claimed design.

**1 Claim, 8 Drawing Sheets**



(56)

**References Cited**

## U.S. PATENT DOCUMENTS

2016/0325081	A1*	11/2016	Kato .....	A61M 37/0015
2017/0021025	A1*	1/2017	Naheed .....	A61M 37/0015
2017/0266427	A1*	9/2017	Nishimura .....	A61K 9/0021
2018/0161252	A1*	6/2018	Francis .....	A61K 8/732
2018/0161563	A1*	6/2018	Renlund .....	A61B 5/150282
2018/0369136	A1*	12/2018	Narayan .....	A61K 31/593
2019/0030309	A1*	1/2019	Kwon .....	B29C 39/02
2019/0090811	A1*	3/2019	Reitz .....	A61B 5/6839
2019/0091455	A1*	3/2019	Reitz .....	B21D 17/02
2019/0351588	A1*	11/2019	Sakazaki .....	B29C 39/26
2019/0381300	A1*	12/2019	Kobayashi .....	A61K 47/183
2020/0029981	A1*	1/2020	Park .....	A61K 9/0021
2020/0129746	A1*	4/2020	Niitsu .....	B29C 65/48
2020/0147359	A1*	5/2020	Groop .....	A61B 17/3417
2020/0164193	A1*	5/2020	Williams .....	A01K 11/001
2020/0246602	A1*	8/2020	Tamaki .....	A61M 37/0015
2020/0282604	A1*	9/2020	Mochizuki .....	B29C 33/40
2020/0331691	A1*	10/2020	Sakazaki .....	A61M 37/0015

\* cited by examiner

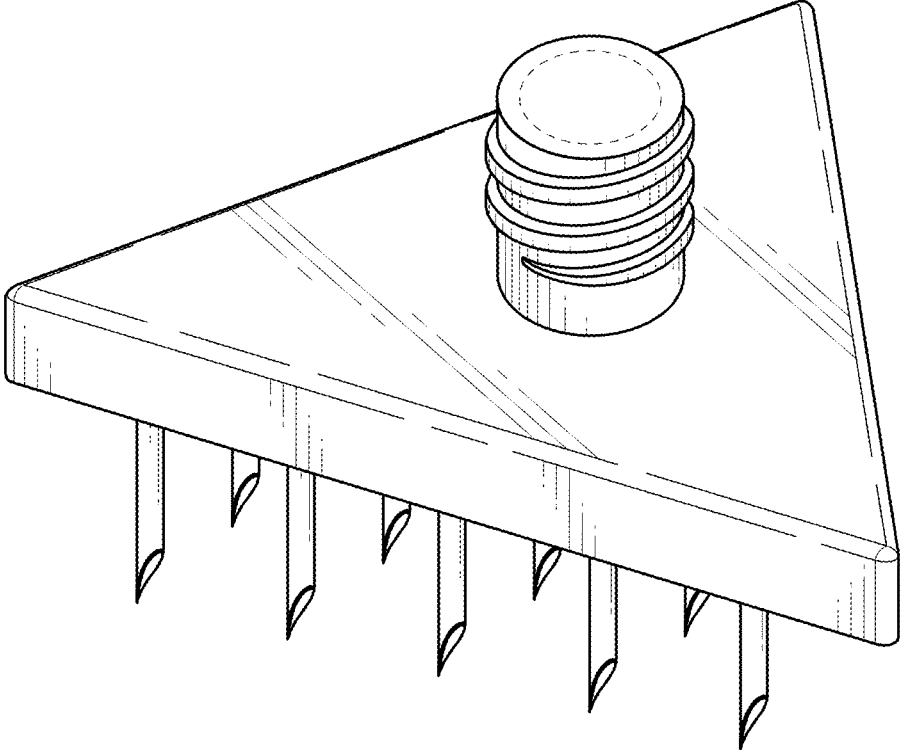


FIG. 1

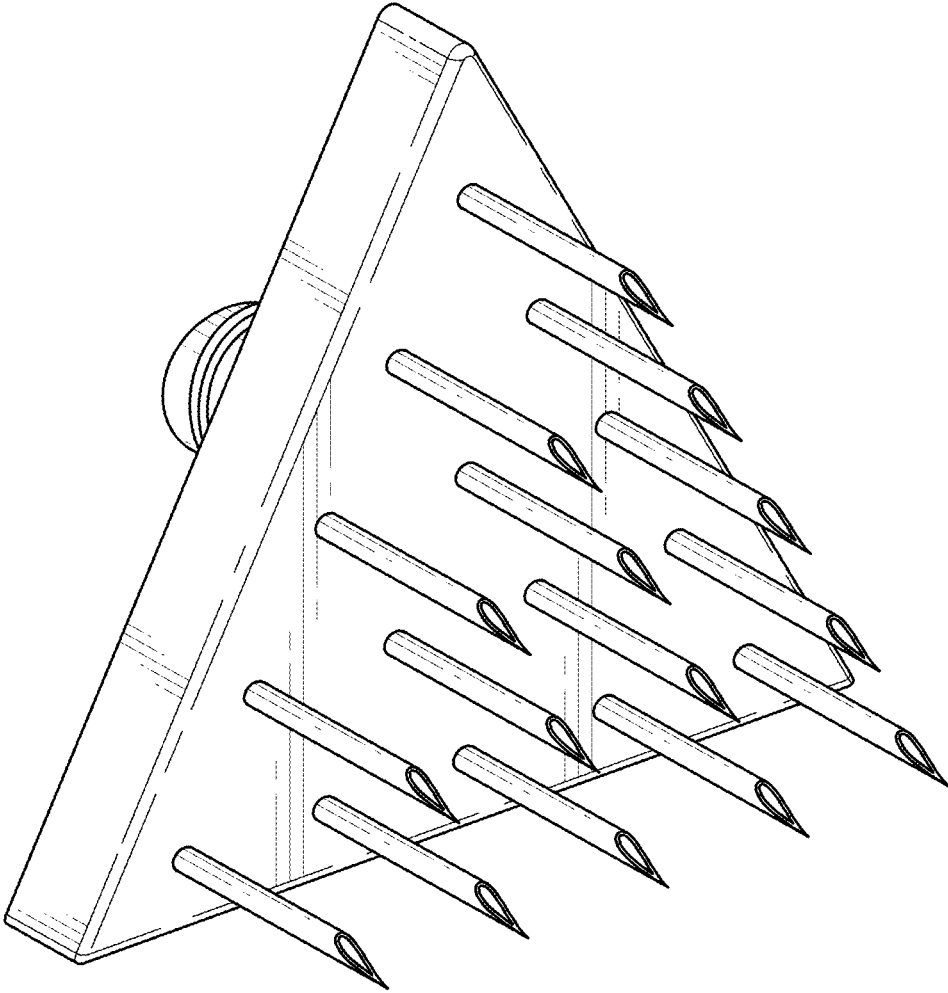


FIG. 2

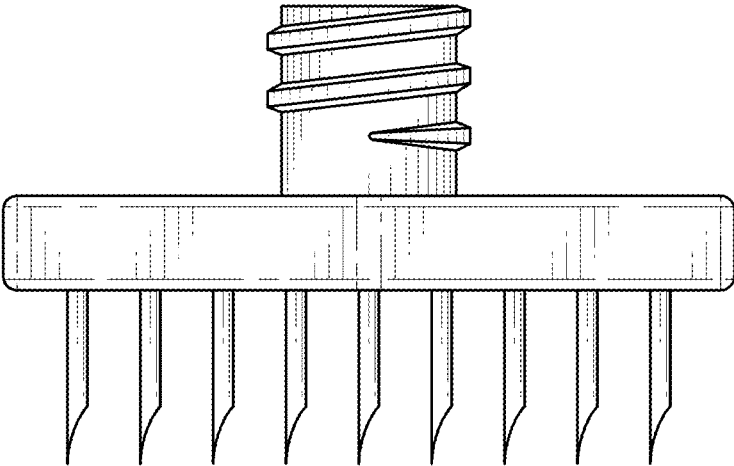


FIG. 3

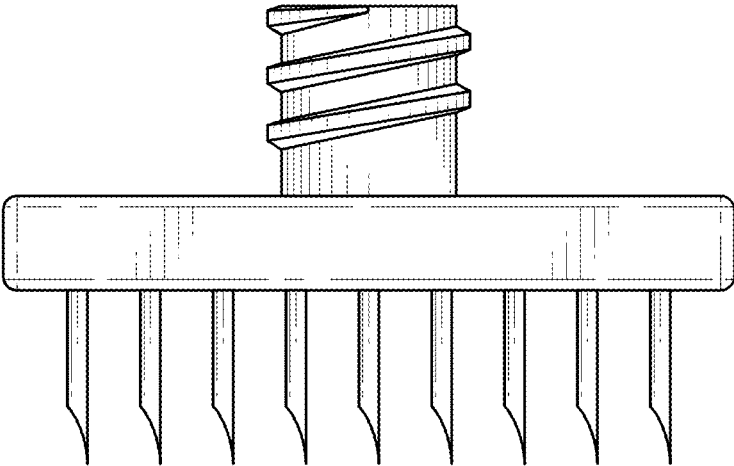


FIG. 4

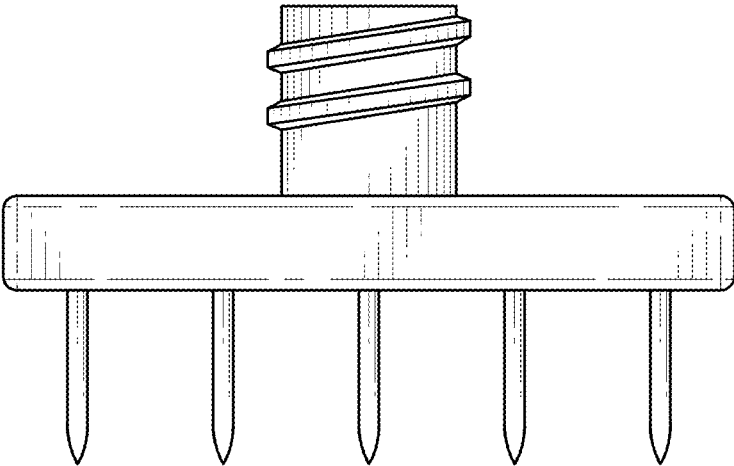


FIG. 5

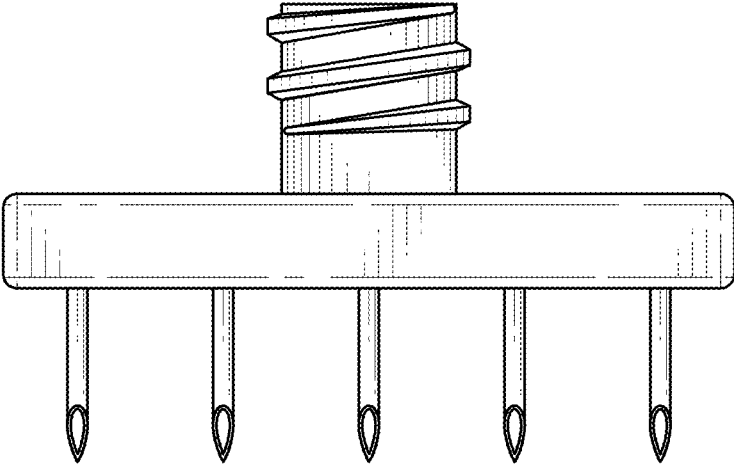


FIG. 6



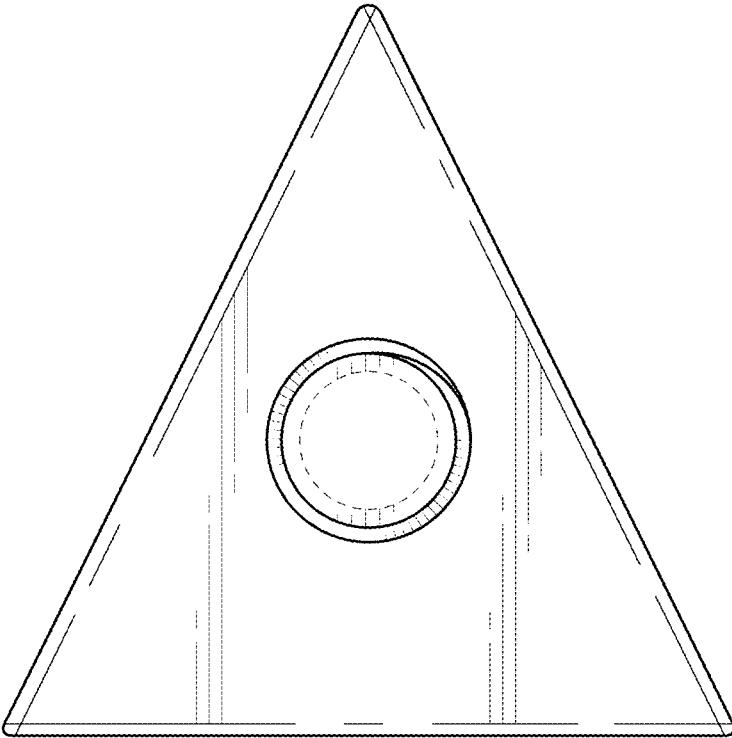


FIG. 7

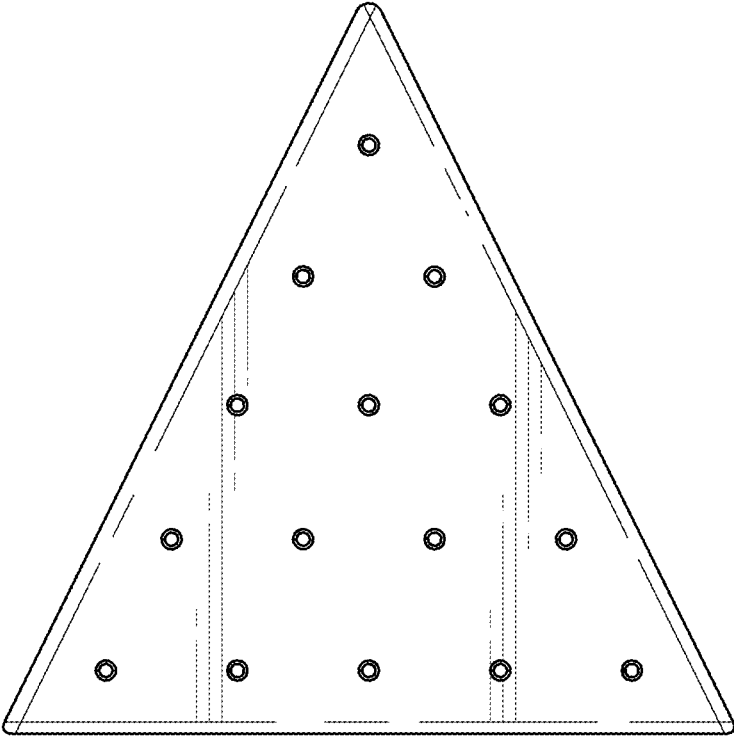


FIG. 8