



US00D735813S

(12) **United States Design Patent**  
**Delgatty**

(10) **Patent No.:** **US D735,813 S**

(45) **Date of Patent:** **\*\* Aug. 4, 2015**

(54) **MOTORIZED SCOOTER**

(71) Applicant: **Egological Mobility Solutions Inc.**,  
Agoura Hills, CA (US)

(72) Inventor: **Grant Delgatty**, Agoura Hills, CA (US)

(73) Assignee: **URBAN626, LLC**, Pasadena, CA (US)

(\*\*) Term: **14 Years**

(21) Appl. No.: **29/495,831**

(22) Filed: **Jul. 3, 2014**

(51) **LOC (10) Cl.** ..... **21-01**

(52) **U.S. Cl.**  
USPC ..... **D21/423**

(58) **Field of Classification Search**

USPC ..... D21/419, 421, 423, 426-428, 435,  
D21/668-671, 760, 765, 771; D12/1, 8,  
D12/108, 111, 112, 113; 280/8, 14.21,  
280/14.25, 14.26, 87.041, 87.042, 200, 214,  
280/220, 221, 239, 263, 278, 287, 288.1,  
280/288.2, 288.4, 809; 180/180, 181, 227,  
180/228

CPC ..... B62K 3/002; B62K 9/00; B62K 9/02;  
B62K 13/00; B62K 2202/00

See application file for complete search history.

(56) **References Cited**

**U.S. PATENT DOCUMENTS**

3,486,765	A	*	12/1969	Turner	.....	280/278
4,653,767	A	*	3/1987	Gajewski	.....	280/278
D457,197	S	*	5/2002	Becker	.....	D21/423
D464,379	S	*	10/2002	Lin	.....	D21/423
D466,839	S	*	12/2002	Ou	.....	D12/110
6,588,787	B2	*	7/2003	Ou	.....	280/287
D483,821	S	*	12/2003	Yang	.....	D21/662
D487,908	S	*	3/2004	Mayer et al.	.....	D21/423

D503,362	S	*	3/2005	Zhu et al.	.....	D12/111
D511,719	S	*	11/2005	Chung	.....	D12/111
D513,629	S	*	1/2006	Sramek	.....	D21/423
D513,772	S	*	1/2006	Otis et al.	.....	D21/423
6,986,522	B2	*	1/2006	Sinclair et al.	.....	280/287
D522,076	S	*	5/2006	Casey	.....	D21/687
D586,265	S	*	2/2009	Lin et al.	.....	D12/111
D641,667	S	*	7/2011	Ryan et al.	.....	D12/111
D668,586	S	*	10/2012	Golias et al.	.....	D12/111

\* cited by examiner

*Primary Examiner* — Cynthia M Chin

(74) *Attorney, Agent, or Firm* — KPPB LLP

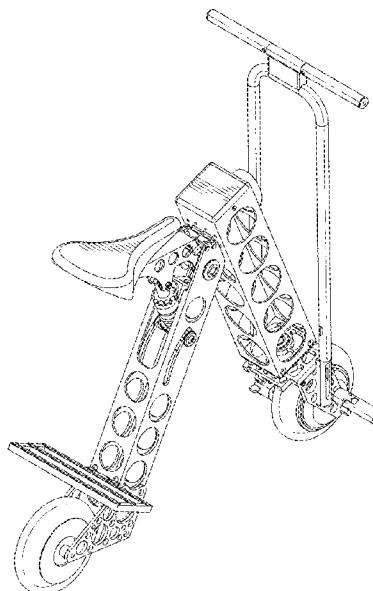
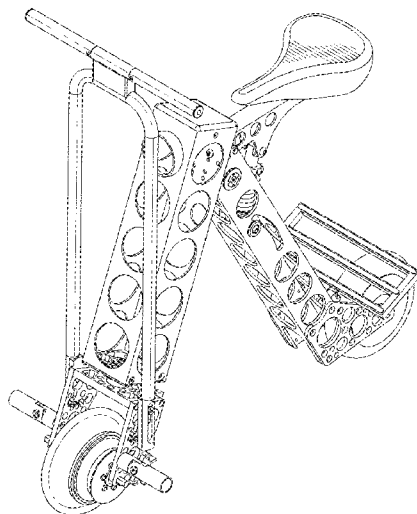
(57) **CLAIM**

The ornamental design for a motorized scooter, as shown and described.

**DESCRIPTION**

FIG. 1 is a front perspective view of a motorized scooter in accordance with my new design;  
 FIG. 2 is a rear perspective view thereof;  
 FIG. 3 is a first side view thereof;  
 FIG. 4 is a second side view thereof;  
 FIG. 5 is a front view thereof;  
 FIG. 6 is rear view thereof;  
 FIG. 7 is a top view thereof;  
 FIG. 8 is a bottom view thereof;  
 FIG. 9 is a front perspective view of a motorized scooter in accordance with a second embodiment of our design;  
 FIG. 10 is a rear perspective view thereof;  
 FIG. 11 is a first side view thereof;  
 FIG. 12 is a second side view thereof;  
 FIG. 13 is a front view thereof;  
 FIG. 14 is rear view thereof;  
 FIG. 15 is a top view thereof; and,  
 FIG. 16 is a bottom view thereof.

**1 Claim, 10 Drawing Sheets**



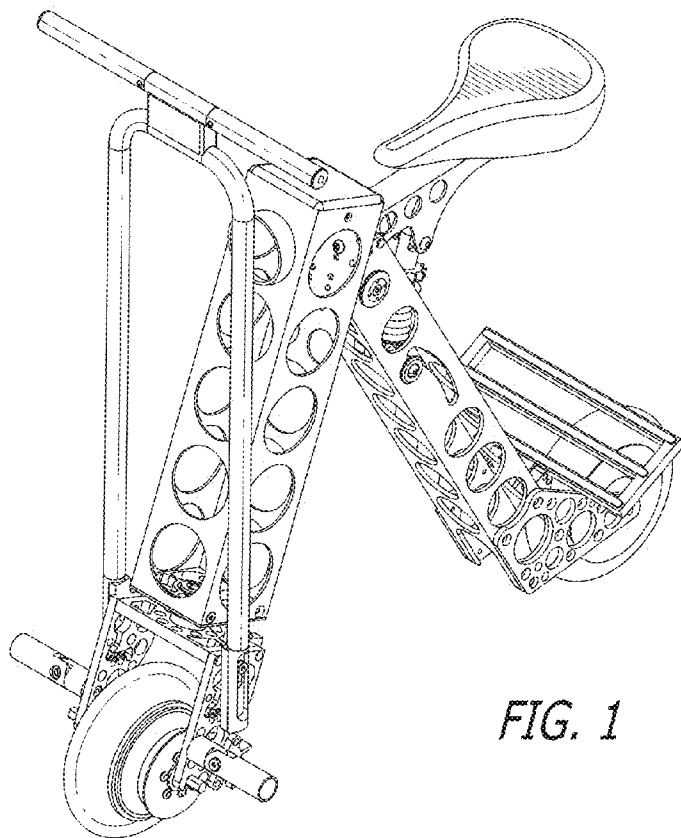


FIG. 1

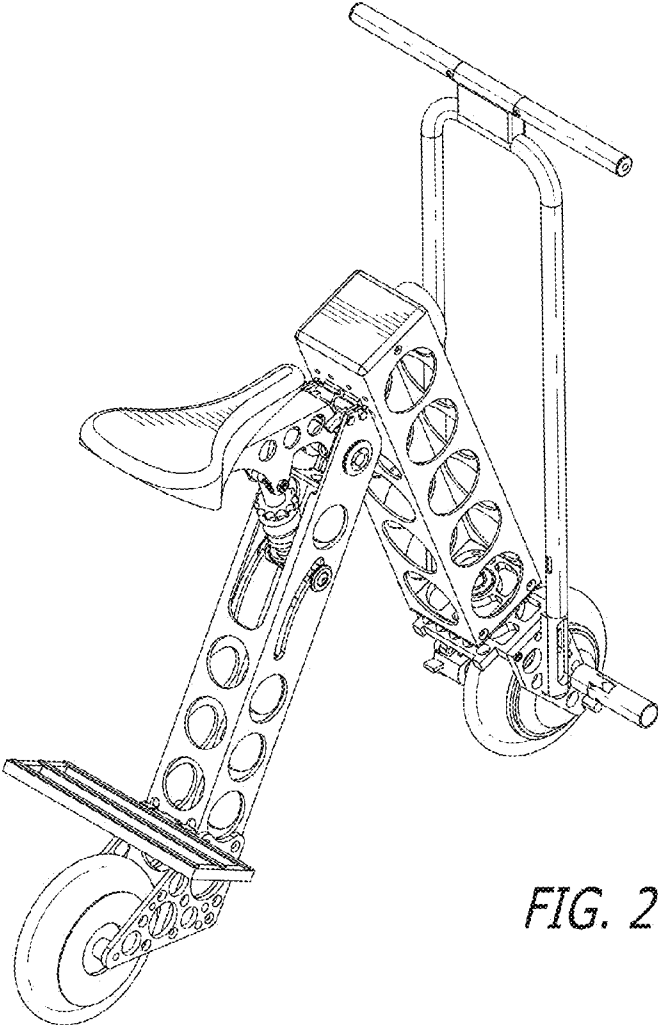


FIG. 2

FIG. 3

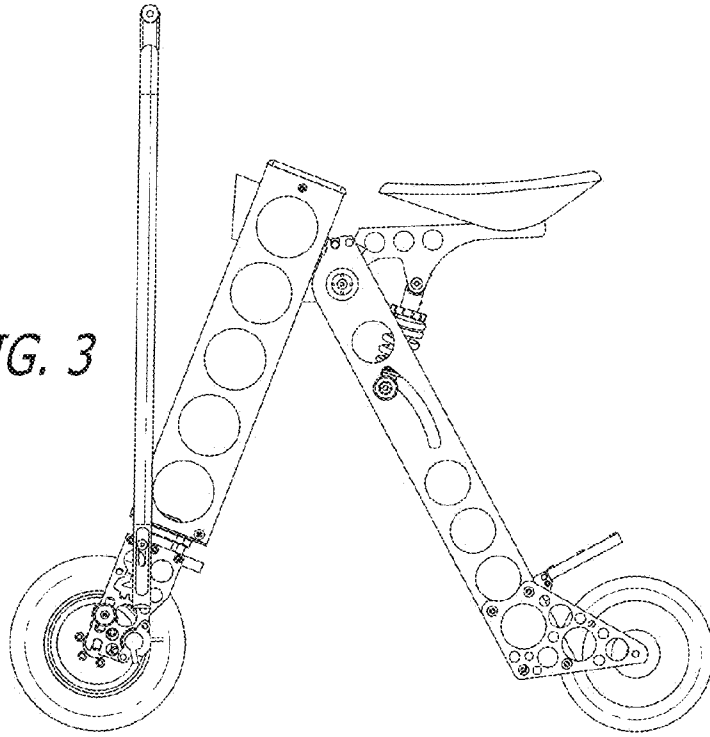
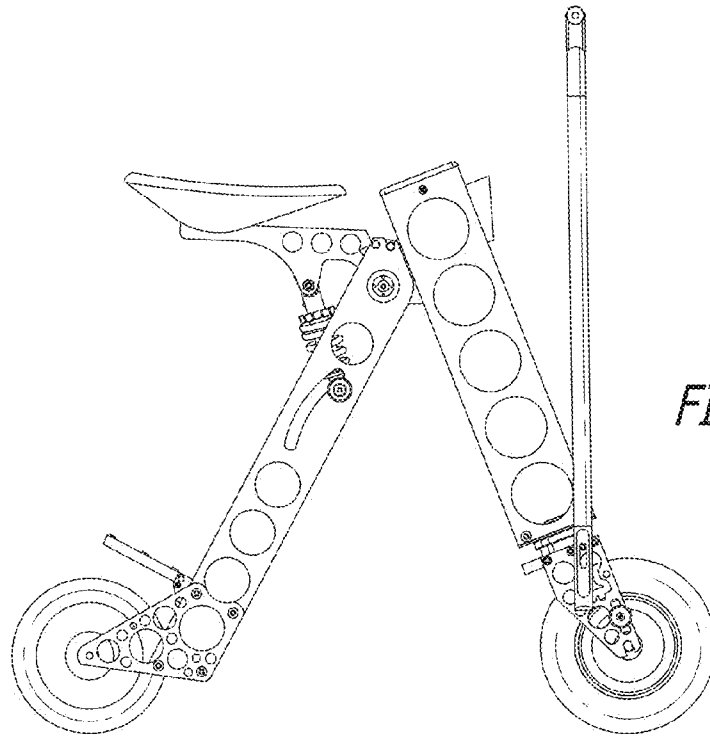


FIG. 4



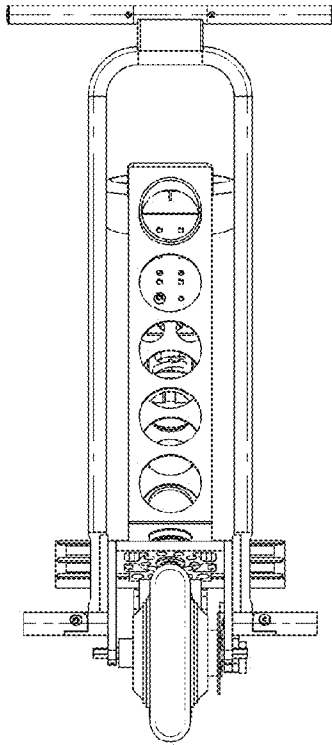


FIG. 5

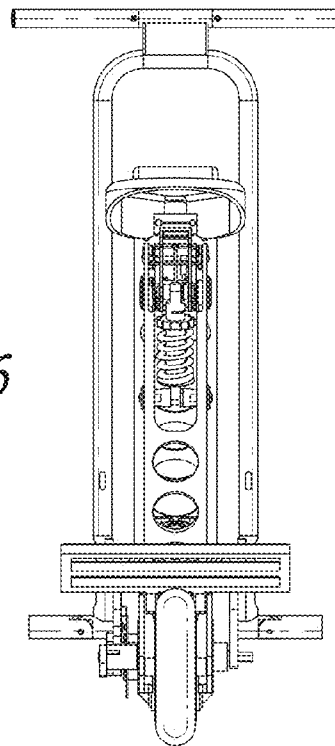
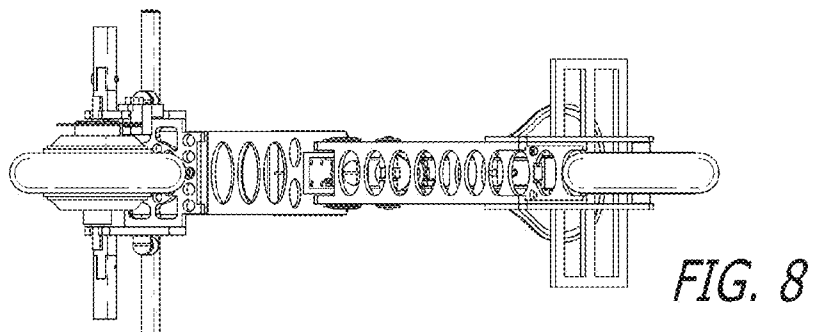
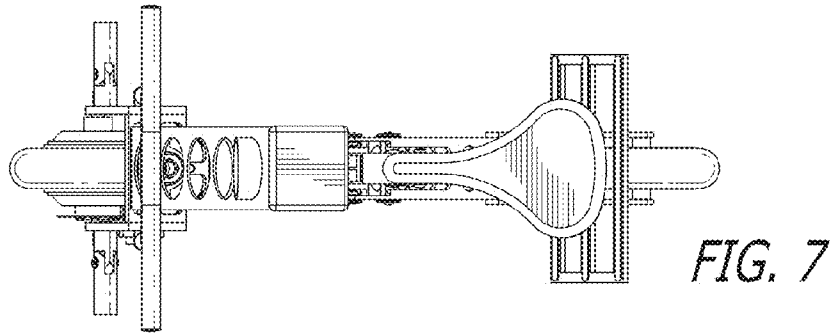


FIG. 6



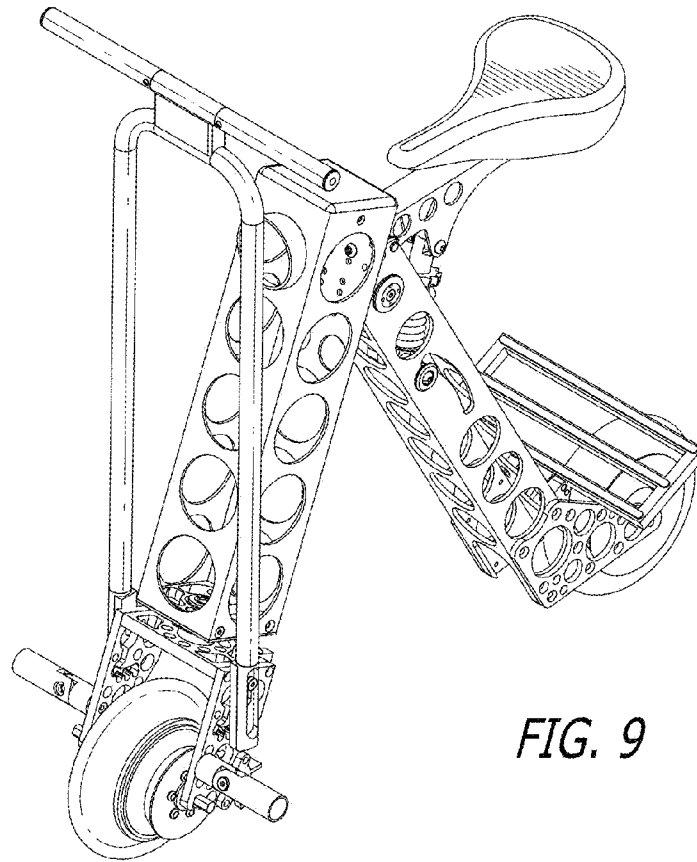


FIG. 9

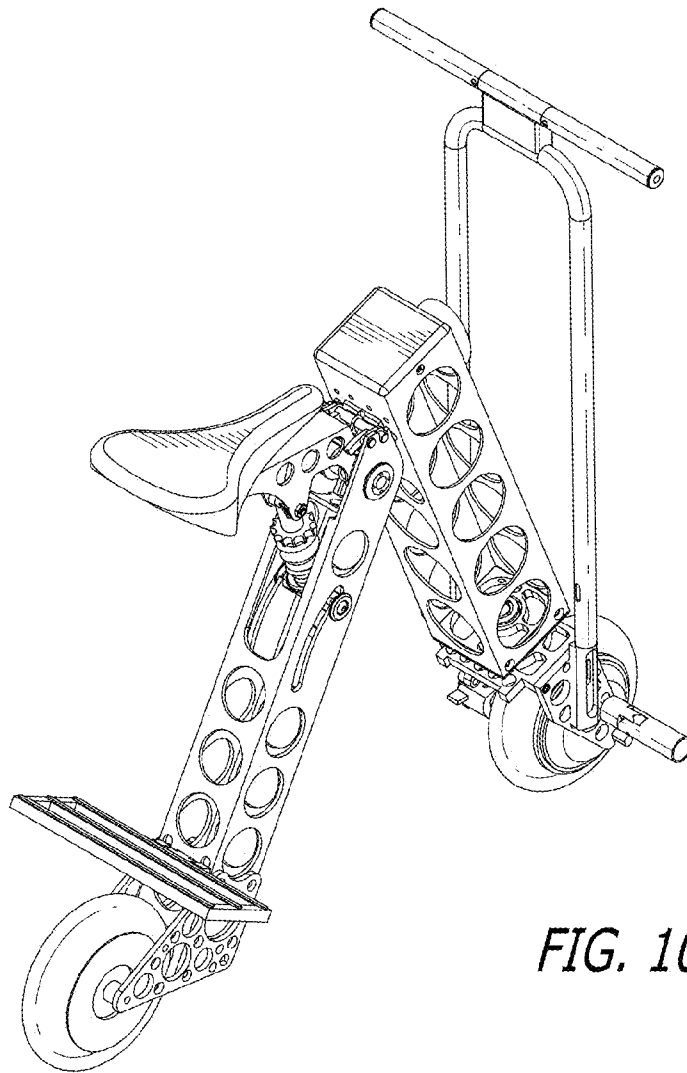
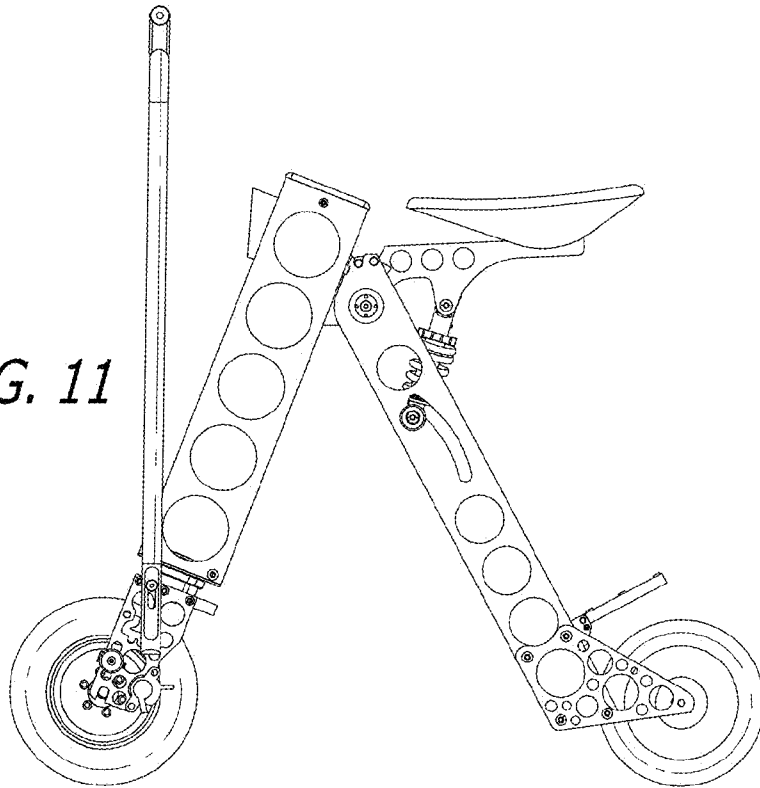


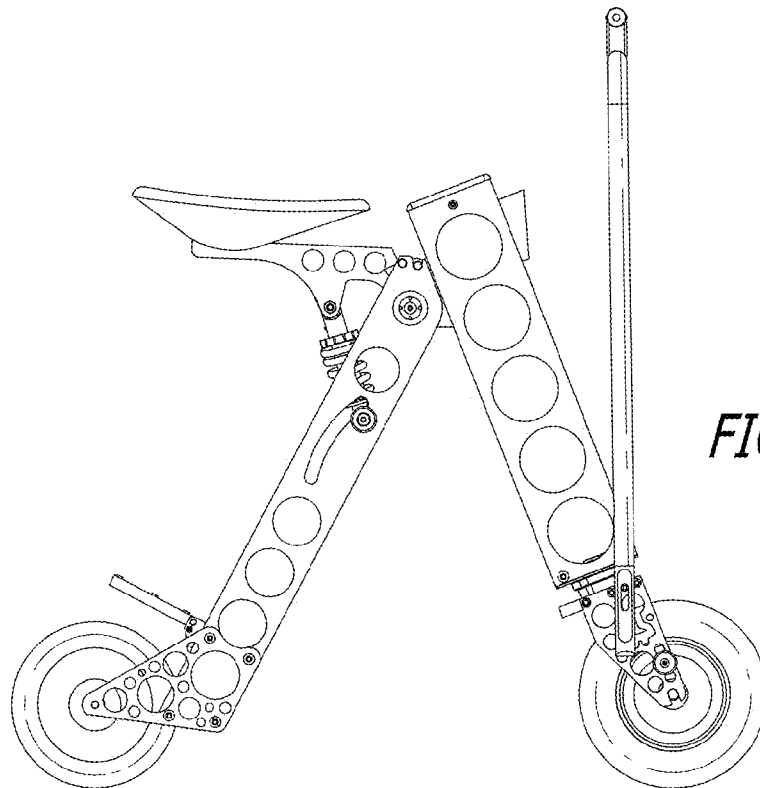
FIG. 10



*FIG. 11*



*FIG. 12*



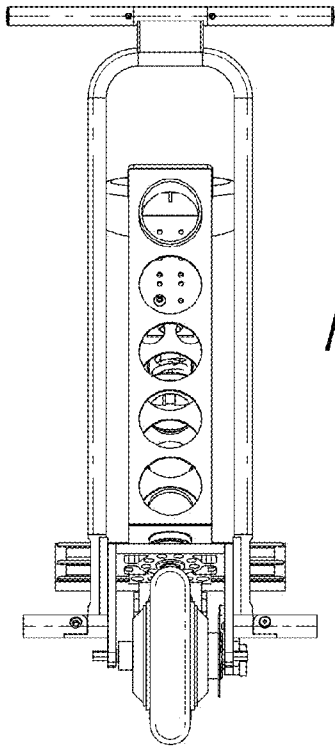


FIG. 13

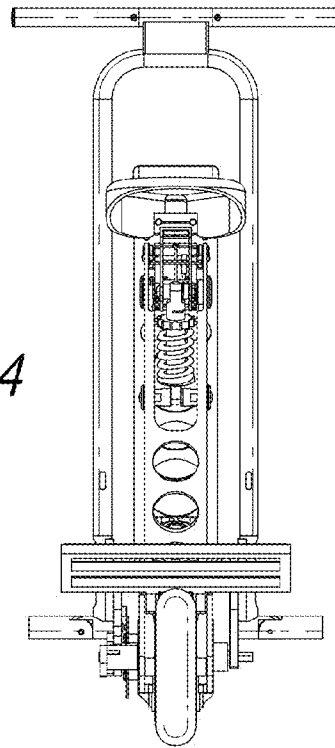
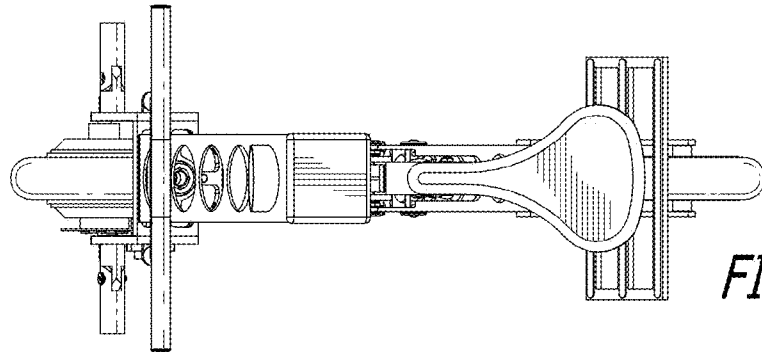
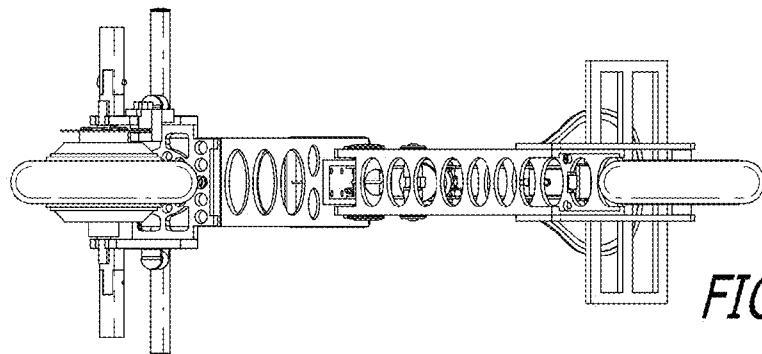


FIG. 14



*FIG. 15*



*FIG. 16*