

[54] **ANTENNA**

[75] **Inventor: John Lonczak, Newburgh, N.Y.**

[73] **Assignee: Terk Technologies Corporation, New Rochelle, N.Y.**

[\*\*] **Term: 14 Years**

[21] **Appl. No.: 155,683**

[22] **Filed: Feb. 16, 1988**

[52] **U.S. Cl. .... D14/230; D14/235**

[58] **Field of Search .... D14/230-238, D14/299; 343/702, 741, 872, 828, 830, 908, 870, 720**

D. 170,203	8/1953	Leonard .....	D26/14
D. 180,158	4/1957	Raftis et al. ....	D14/234
D. 210,223	2/1968	Booker .....	D14/234
D. 211,028	5/1968	Zucconi .....	D26/14
D. 221,554	8/1971	Kahn .....	D14/235
D. 227,676	7/1973	Okada .....	D26/14 F
D. 283,129	3/1986	Fourcher et al. ....	D14/90
D. 300,531	4/1989	Higgins .....	D14/230
3,176,302	3/1965	Tipton .....	343/872

*Primary Examiner*—Theodore M. Shooman  
*Attorney, Agent, or Firm*—Martin A. Levitin

[57] **CLAIM**

The ornamental design for an antenna, as shown.

**DESCRIPTION**

FIG. 1 is a top, front and right side perspective view of an antenna showing my new design; FIG. 2 is a left side elevational view thereof; FIG. 3 is a rear elevational view thereof; and FIG. 4 is a bottom plan view thereof.

[56] **References Cited**

**U.S. PATENT DOCUMENTS**

D. 128,025	7/1941	Emde .	
D. 160,016	9/1950	Reid .....	D26/14

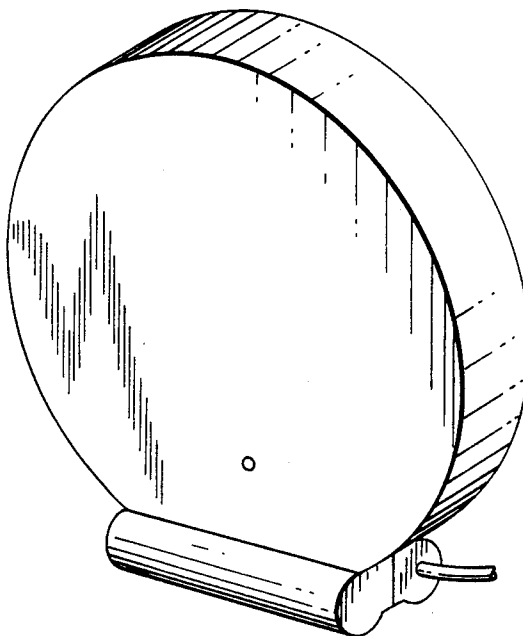


FIG. 1

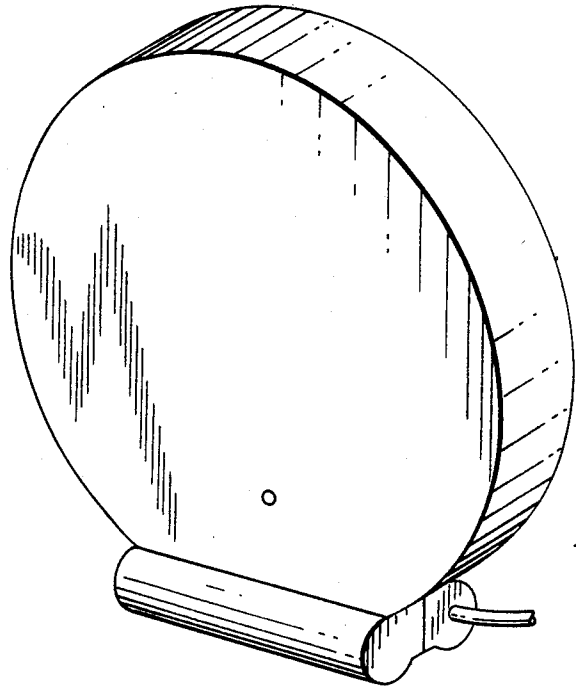


FIG. 2

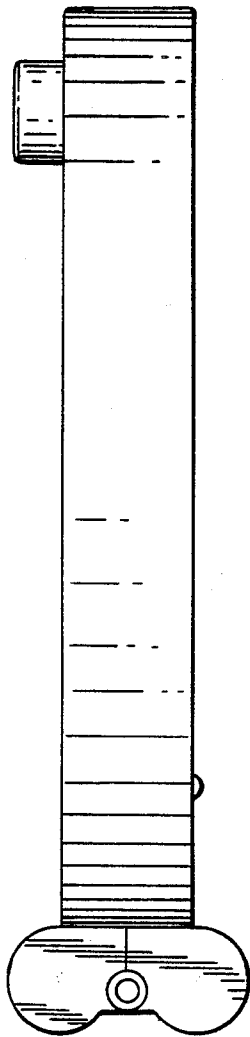


FIG. 3

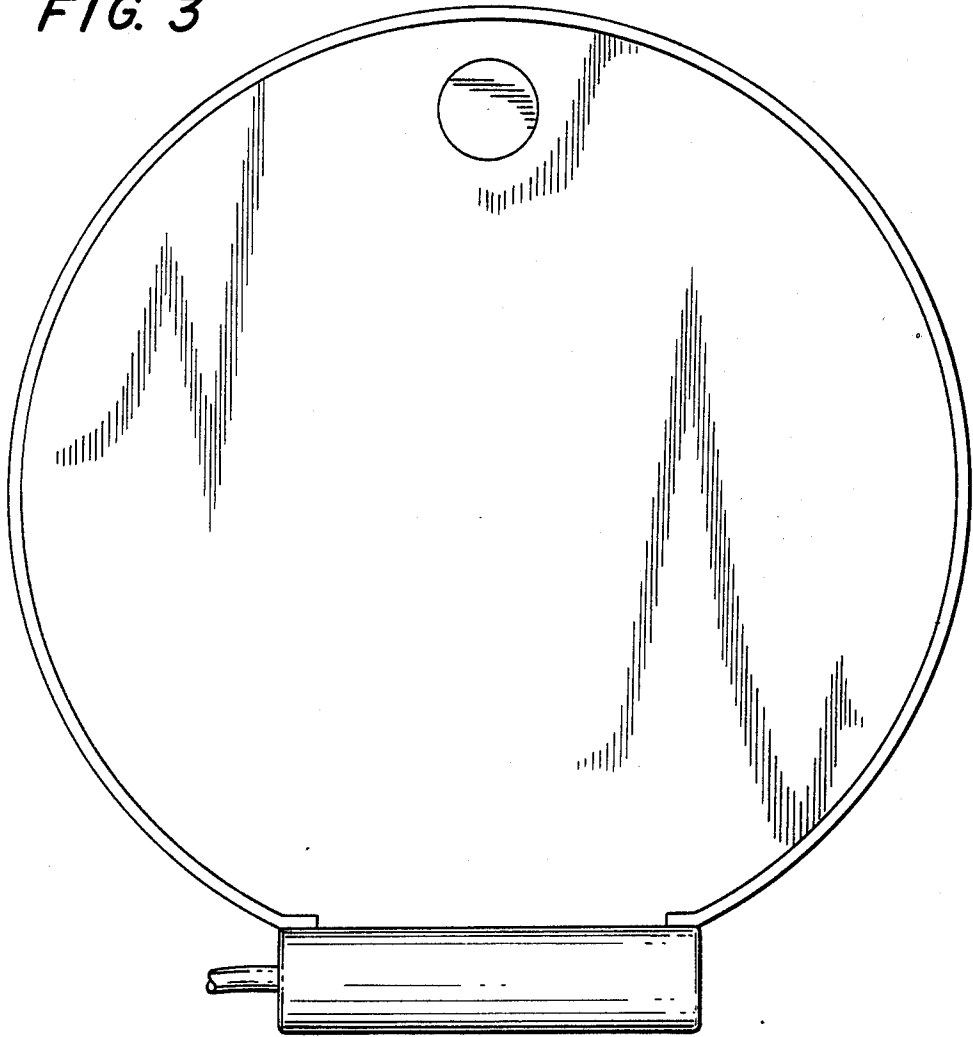


FIG. 4

