

(19) World Intellectual Property Organization
International Bureau



(43) International Publication Date
19 October 2000 (19.10.2000)

PCT

(10) International Publication Number
WO 00/61976 A3

(51) International Patent Classification⁷: **F16L 17/00**,
21/05, 5/02, F16J 15/08, B25G 3/00, E04C 5/08, F16B
21/18, H02G 3/18, H01R 11/22, 13/627

(81) Designated States (*national*): AE, AG, AL, AM, AT, AU,
AZ, BA, BB, BG, BR, BY, CA, CH, CN, CR, CU, CZ, DE,
DK, DM, DZ, EE, ES, FI, GB, GD, GE, GH, GM, HR, HU,
ID, IL, IN, IS, JP, KE, KG, KP, KR, KZ, LC, LK, LR, LS,
LT, LU, LV, MA, MD, MG, MK, MN, MW, MX, NO, NZ,
PL, PT, RO, RU, SD, SE, SG, SI, SK, SL, TJ, TM, TR, TT,
TZ, UA, UG, UZ, VN, YU, ZA, ZW.

(21) International Application Number: PCT/US00/09716

(22) International Filing Date: 11 April 2000 (11.04.2000)

(25) Filing Language: English

(84) Designated States (*regional*): ARIPO patent (GH, GM,
KE, LS, MW, SD, SL, SZ, TZ, UG, ZW), Eurasian patent
(AM, AZ, BY, KG, KZ, MD, RU, TJ, TM), European patent
(AT, BE, CH, CY, DE, DK, ES, FI, FR, GB, GR, IE, IT, LU,
MC, NL, PT, SE), OAPI patent (BF, BJ, CF, CG, CI, CM,
GA, GN, GW, ML, MR, NE, SN, TD, TG).

(26) Publication Language: English

(30) Priority Data:
60/129,259 14 April 1999 (14.04.1999) US

Published:
— With international search report.

(71) Applicant and

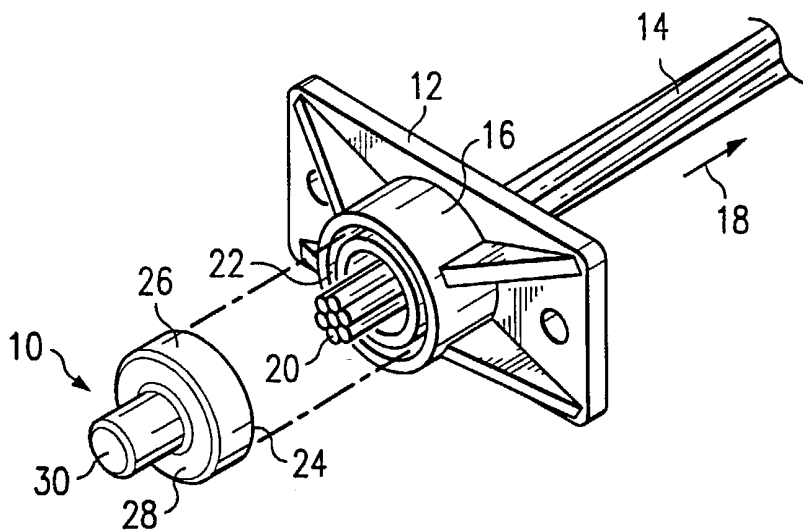
(72) Inventor: RODRIGUEZ, Alan, F. [US/US]; 3722 Tarry-
town Place, Carrollton, TX 75007 (US).

(88) Date of publication of the international search report:
8 February 2001

(74) Agent: CHAUZA, Roger, N.; Howison, Chauza, Handley
& Arnott, L.L.P., P.O. Box 741715, Dallas, TX 75374-1715
(US).

For two-letter codes and other abbreviations, refer to the "Guid-
ance Notes on Codes and Abbreviations" appearing at the begin-
ning of each regular issue of the PCT Gazette.

(54) Title: POST-TENSION ANCHOR SEAL CAP



(57) Abstract: A seal cap (10) for use in sealing an end (20) of a tendon (14) anchored to an anchor plate (12). The seal cap (10) includes a receptacle (32) for holding therein a sealing agent (37). The seal cap (10) further includes a push nut (34) that grips to the tendon end (20) when forced thereon. A foam washer (35) is held in the front part of the seal cap (10). When the seal cap (10) is forced, such as by hammering, on the end (20) of the tendon (14), the sealant is displaced onto the tendon (14), and the foam washer (35) is squeezed against the anchor plate (12). A high quality moisture seal is formed.

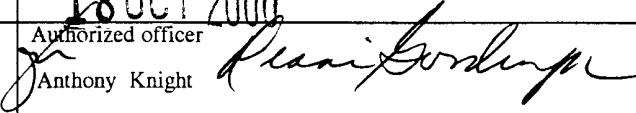


WO 00/61976 A3

INTERNATIONAL SEARCH REPORT

International application No.

PCT/US00/09716

A. CLASSIFICATION OF SUBJECT MATTER		
IPC(7) : F16L 17/00, 21/05, 5/02; F16J 15/08; B25G 3/00; E04C 5/08; F16B 21/18; H02G 3/18; H01R 11/22, 13/627 US CL : 277/314, 603, 605, 607, 616, 624, 627, 904, 919; 403/248, 249, 280, 282; 52/223.13; 411/525, 526, 527; 174/65G, 152G, 153G, 655F; 439/345, 346, 271, 274, 275		
B. FIELDS SEARCHED		
Minimum documentation searched (classification system followed by classification symbols) U.S. : 277/314, 603, 605, 607, 616, 624, 627, 904, 919; 403/248, 249, 280, 282; 52/223.13; 411/525, 526, 527; 174/65G, 152G, 153G, 655F; 439/345, 346, 271, 274, 275		
Documentation searched other than minimum documentation to the extent that such documents are included in the fields searched		
Electronic data base consulted during the international search (name of data base and, where practicable, search terms used) East Search: Cap, Seal, Cable, Cover (in combination with the word seal)		
C. DOCUMENTS CONSIDERED TO BE RELEVANT		
Category *	Citation of document, with indication, where appropriate, of the relevant passages	Relevant to claim No.
X ---	US 5,755,065 A (SORKIN) 26 May 1998 (26.05.1998), see figure 1	1, 7-10
Y		11, 12, 2-4, and 13-16
X ---	US 4,918,887 A (DAVIS et al) 24 April 1990 (24.04.1990), See figure 1 and 5	1, 7
Y		11, 12
X	US 4,773,198 A (REINHARDT) 27 September 1988 (27.09.1988), See figure 1	1
Y	US 5,321,220 A (SEKIGUCHI) 14 June 1994 (14.06.1994), See figure 1 (part 15)	2-5, 13-16
Y	US 5,079,879 A (RODRIGUEZ) 14 January 1992 (14.01.1992), See figure 1 (part 38)	12
A	US 5,024,032 A (RODRIGUEZ) 18 June 1991 (18.06.1991), See figures 1-4	1-16
A	US 5,072,558 A (SORKIN et al) 17 December 1991 (17.12.1991), See figures 1-3	1-16
A	US 5,263,291 A (KNIGHT) 23 November 1993 (23.11.1993), See figures 4	1-16
A	US 5,347,777 A (SUDDUTH) 20 September 1994 (20.09.1994), See figures 1-3	1-16
A	US 5,440,842 A (SORKIN) 15 August 1995 (15.08.1995), See figures 3-4	1-16
A	US 4,812,624 A (KERN) 14 March 1989 (14.03.1989), See figure 4 (push nut)	1-16
A, P	US 5,961,265 A (KATO) 5 October 1999 (5.10.1999), see figure 14 (part 114)	2-5 and 13-14
A	US 5,704,771 A (FUJISAWA et al) 6 January 1998 (6.01.1998), see figures 3-4	2-5 and 13-14
<input type="checkbox"/> Further documents are listed in the continuation of Box C. <input type="checkbox"/> See patent family annex.		
* Special categories of cited documents:		
"A" document defining the general state of the art which is not considered to be of particular relevance "E" earlier application or patent published on or after the international filing date "L" document which may throw doubts on priority claim(s) or which is cited to establish the publication date of another citation or other special reason (as specified) "O" document referring to an oral disclosure, use, exhibition or other means "P" document published prior to the international filing date but later than the priority date claimed	"T" later document published after the international filing date or priority date and not in conflict with the application but cited to understand the principle or theory underlying the invention "X" document of particular relevance; the claimed invention cannot be considered novel or cannot be considered to involve an inventive step when the document is taken alone "Y" document of particular relevance; the claimed invention cannot be considered to involve an inventive step when the document is combined with one or more other such documents, such combination being obvious to a person skilled in the art "&" document member of the same patent family	
Date of the actual completion of the international search	Date of mailing of the international search report	
20 June 2000 (20.06.2000)	18 OCT 2000	
Name and mailing address of the ISA/US Commissioner of Patents and Trademarks Box PCT Washington, D.C. 20231 Facsimile No. (703)305-3230	Authorized officer  Anthony Knight Telephone No. 703-308-2168	