



US0D1022466S

(12) **United States Design Patent**
Szegedy

(10) **Patent No.:** **US D1,022,466 S**

(45) **Date of Patent:** **** Apr. 16, 2024**

(54) **STORAGE BOX**

(71) Applicant: **Joe Michael Szegedy**, Winnetka, CA (US)

(72) Inventor: **Joe Michael Szegedy**, Winnetka, CA (US)

(**) Term: **15 Years**

(21) Appl. No.: **29/834,728**

(22) Filed: **Apr. 13, 2022**

(51) **LOC (14) Cl.** **09-04**

(52) **U.S. Cl.**
USPC **D3/305**

(58) **Field of Classification Search**
USPC D3/201, 272, 304, 305, 315; D9/414, D9/430, 431, 432
CPC A45C 7/0004; A45C 7/0022; B65D 21/0212; B65D 11/1873; B65D 25/30
See application file for complete search history.

(56) **References Cited**

U.S. PATENT DOCUMENTS

D307,109	S	*	4/1990	Dasher	D3/307
6,070,743	A	*	6/2000	Hsueh	A47B 81/068
						211/40
D747,608	S	*	1/2016	White	D3/305
2016/0101897	A1	*	4/2016	Allen	B65D 21/0212
						220/660

FOREIGN PATENT DOCUMENTS

CN	307208767	*	3/2022
WO	WOD094751-001	*	2/2017

OTHER PUBLICATIONS

[Frcctre 12 Pack Unfinished Small Wooden Box], posted Sep. 15, 2021 [online], [retrieved Date]. Retrieved from internet, <https://a.co/d/9sQ9xyy> (Year: 2021).*
[Punks Not Dead LP Record Box], posted Sep. 15, 2021 [online], [retrieved Date]. Retrieved from internet, <https://www.applevintage.co.uk/punks-not-dead-lp-record-box-vinyl-album-storage-crates-5865-p.asp> (Year: 2021).*

* cited by examiner

Primary Examiner — Cynthia Ramirez

Assistant Examiner — Darcy Fabre

(74) *Attorney, Agent, or Firm* — QuickPatents; Kevin Prince

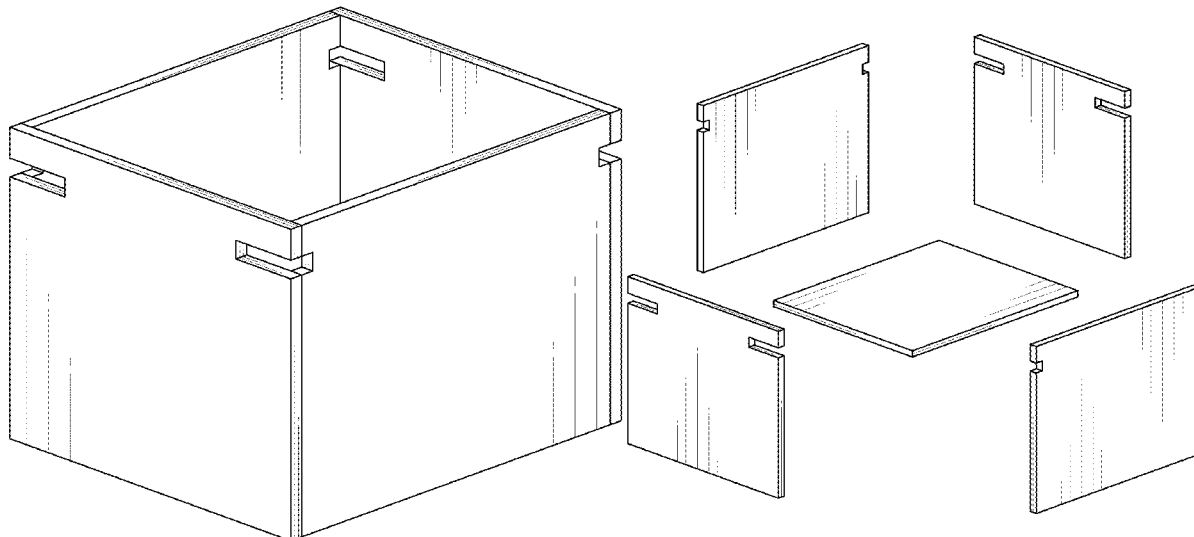
(57) **CLAIM**

The ornamental design for a storage box, as shown and described.

DESCRIPTION

FIG. 1 is a top perspective view of a storage box, showing my new design;
FIG. 2 is an exploded top perspective view thereof;
FIG. 3 is a front elevational view of FIG. 1, the rear elevational view being a mirror image thereof;
FIG. 4 is a left-side elevational view of FIG. 1, the right-side elevational view being a mirror image thereof;
FIG. 5 is a top plan view thereof; and,
FIG. 6 is a bottom plan view thereof.

1 Claim, 4 Drawing Sheets



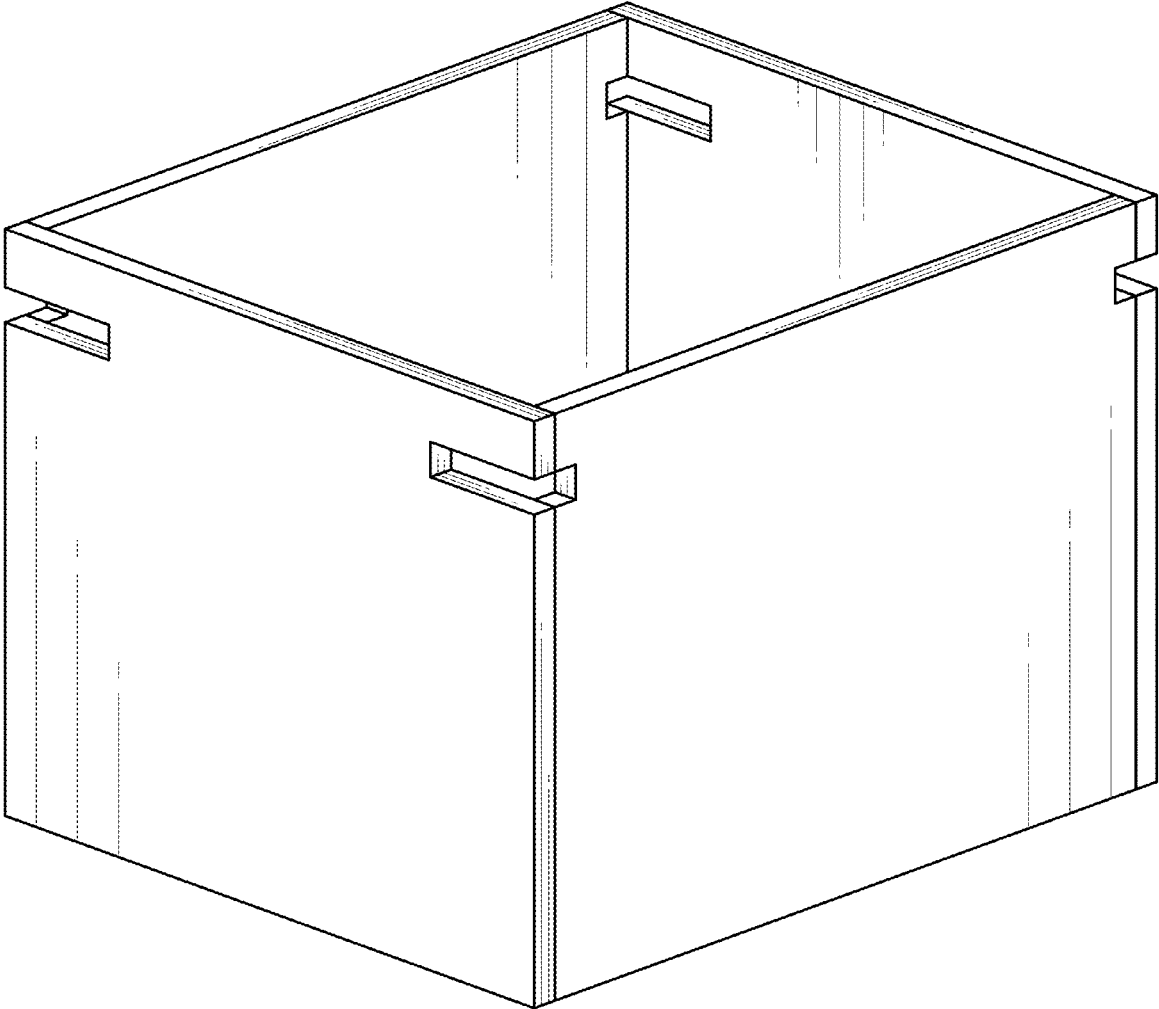


FIG. 1

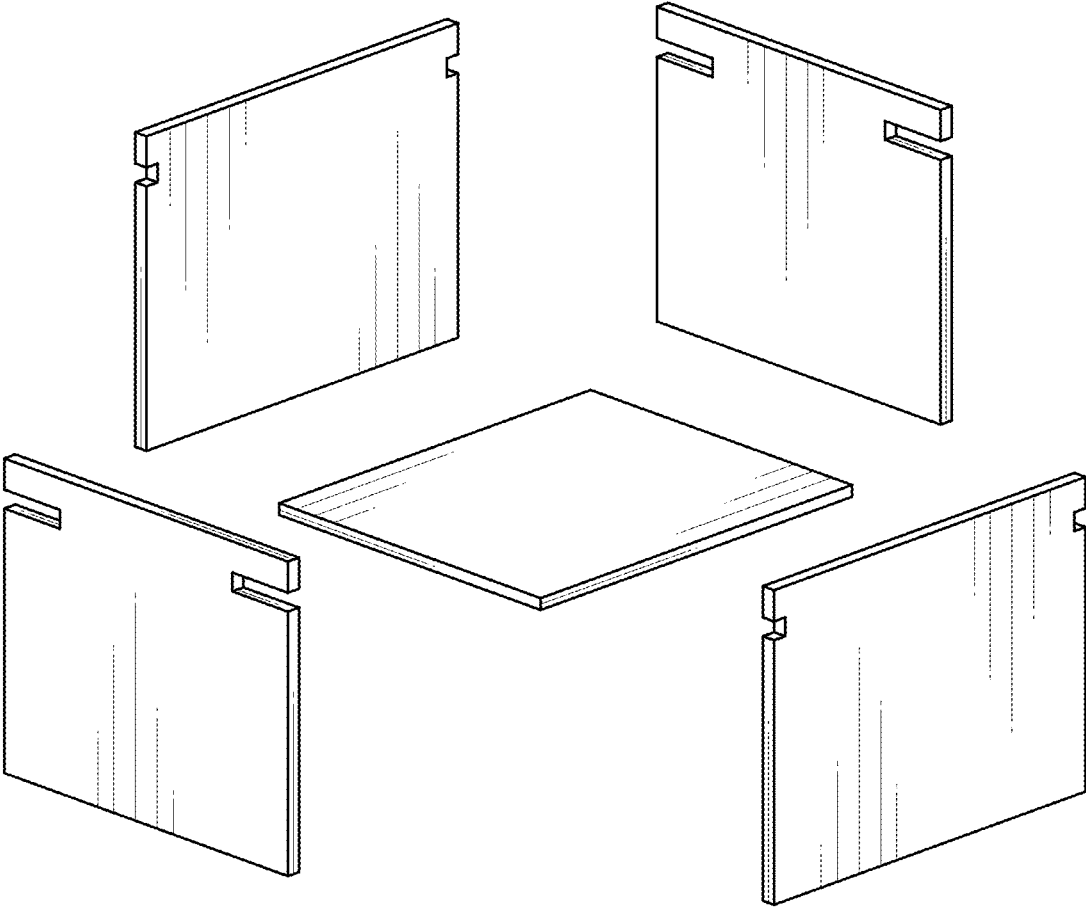


FIG. 2

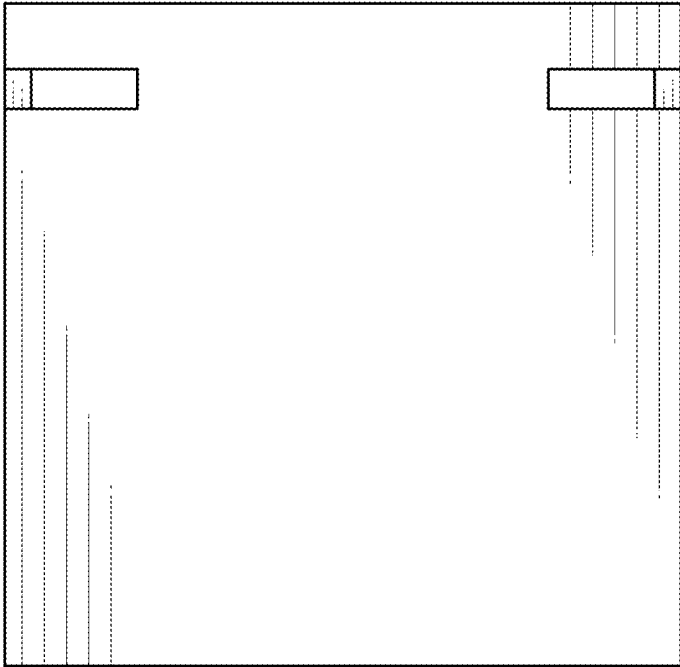


FIG. 3

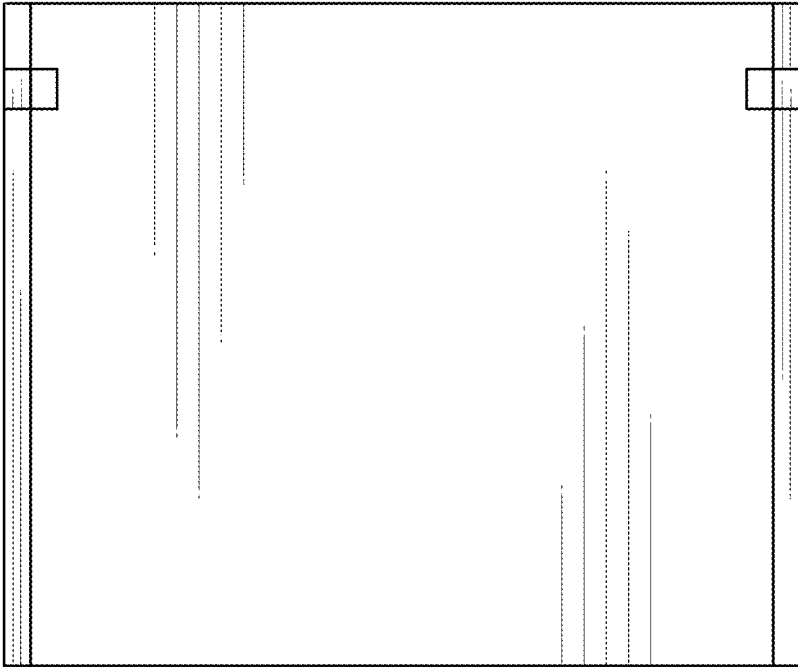


FIG. 4

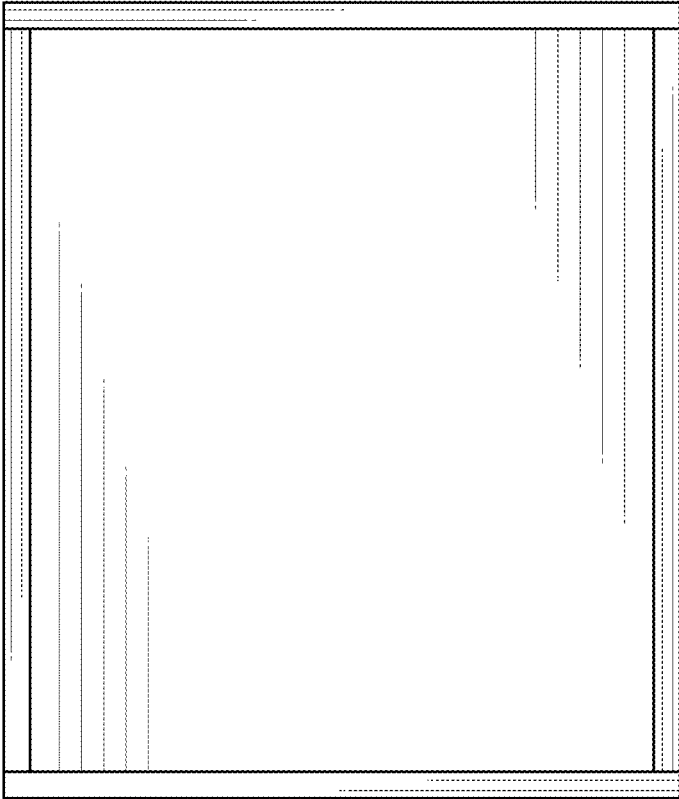


FIG. 5

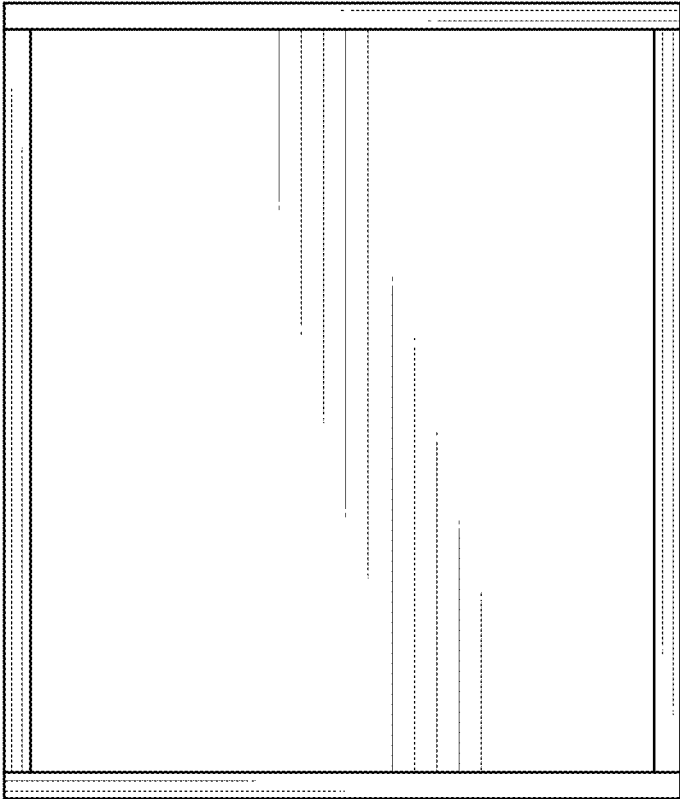


FIG. 6