



US00D912860S

(12) **United States Design Patent**
Wu

(10) **Patent No.:** **US D912,860 S**

(45) **Date of Patent:** **** Mar. 9, 2021**

(54) **VEHICLE LIGHT**

(71) Applicant: **COPLUS INC.,** Tainan (TW)

(72) Inventor: **Po-Hua Wu,** Tainan (TW)

(73) Assignee: **Coplus Inc.,** Tainan (TW)

(**) Term: **15 Years**

(21) Appl. No.: **29/666,682**

(22) Filed: **Oct. 15, 2018**

(30) **Foreign Application Priority Data**

Apr. 27, 2018 (TW) 107302385

(51) **LOC (13) Cl.** **26-06**

(52) **U.S. Cl.**

USPC **D26/28**

(58) **Field of Classification Search**

USPC D26/28, 29, 30, 31, 32, 33, 34, 35, 36

CPC F21S 48/00; F21S 48/10; F21S 48/115;

F21S 48/225; F21S 48/1233; F21S

48/1266; F21S 48/1388; F21S 48/2268;

F21V 21/04; F21W 2103/35; F21W 3/40;

F21W 2102/17; F21W 2102/30; F21W

2103/00; F21W 2103/55; F21W 2104/00;

F21W 2107/17; F21W 2107/13

See application file for complete search history.

(56) **References Cited**

U.S. PATENT DOCUMENTS

D677,812 S * 3/2013 Nakamura D26/28

D707,860 S * 6/2014 Futschik D26/28

D776,310 S * 1/2017 Mackay D26/28

D797,324 S * 9/2017 Lai D26/28

D797,970 S * 9/2017 Mainville D26/28

D838,020 S * 1/2019 Lin D26/28

D844,864 S * 4/2019 Lin D26/28

D868,316 S * 11/2019 Lin D26/28

D878,644 S * 3/2020 Lai D26/28

D892,371 S * 8/2020 Badstuebner D26/28

D893,776 S * 8/2020 Lin D26/28

* cited by examiner

Primary Examiner — Angela J Lee

(74) *Attorney, Agent, or Firm* — Lewis Roca Rothgerber
Christie LLP

(57) **CLAIM**

The ornamental design for a vehicle light, as shown and described.

DESCRIPTION

FIG. 1 is a front perspective view of a vehicle light;

FIG. 2 is a left side view thereof;

FIG. 3 is a right side view thereof;

FIG. 4 is a rear view thereof;

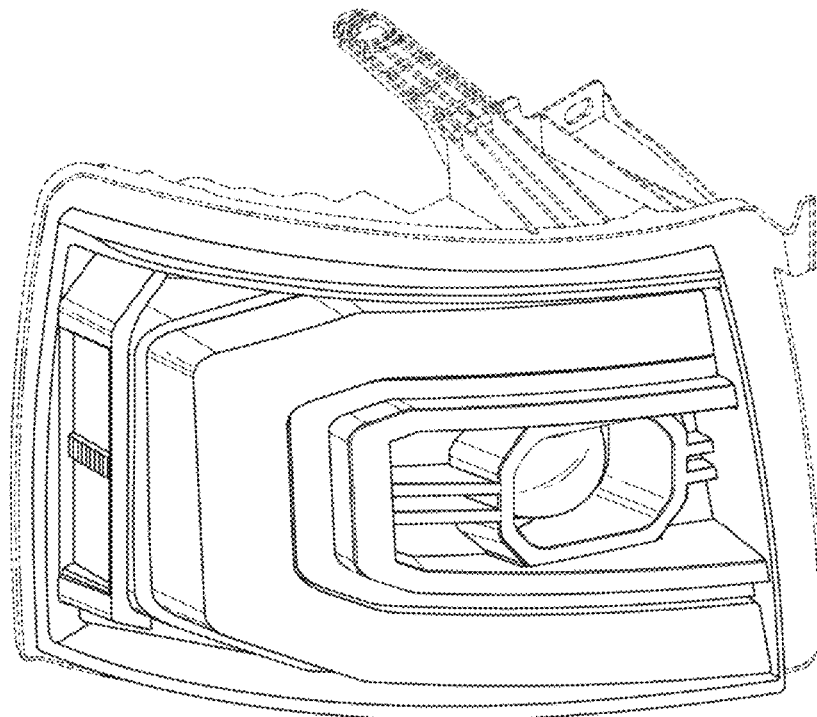
FIG. 5 is a front view thereof;

FIG. 6 is a top view thereof; and,

FIG. 7 is a bottom view thereof.

The broken lines in the drawings are for illustrative purpose only and form no part of the claimed design.

1 Claim, 7 Drawing Sheets



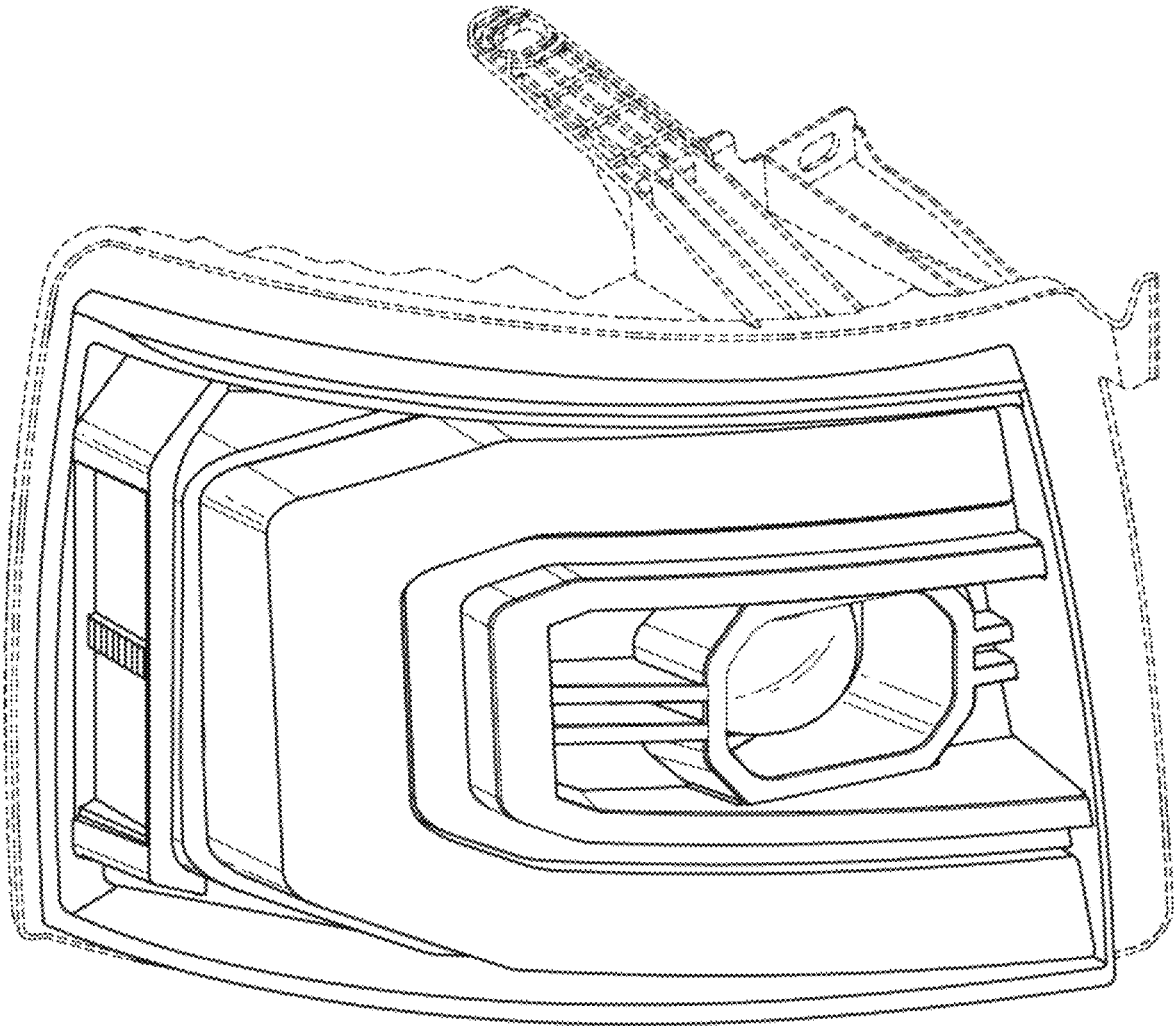


FIG. 1

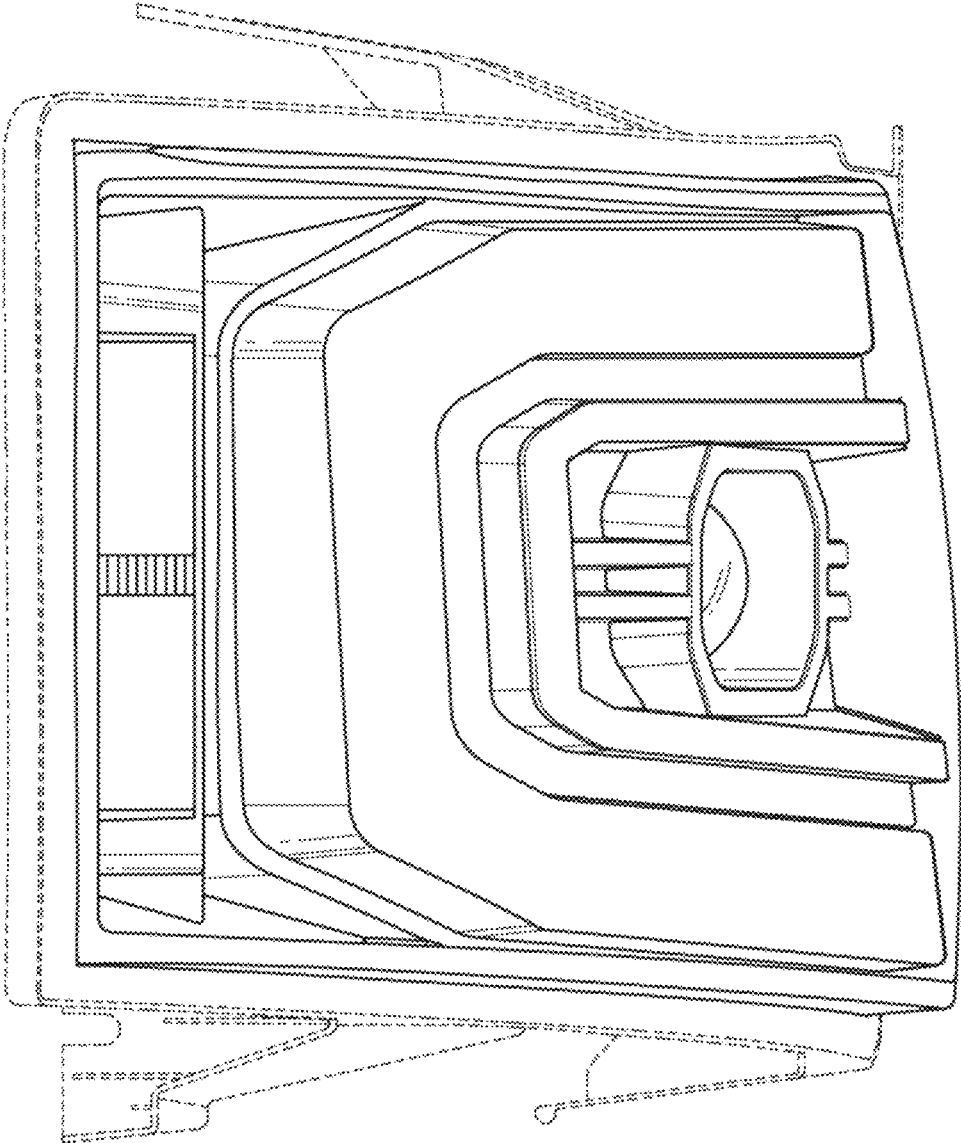


FIG. 2

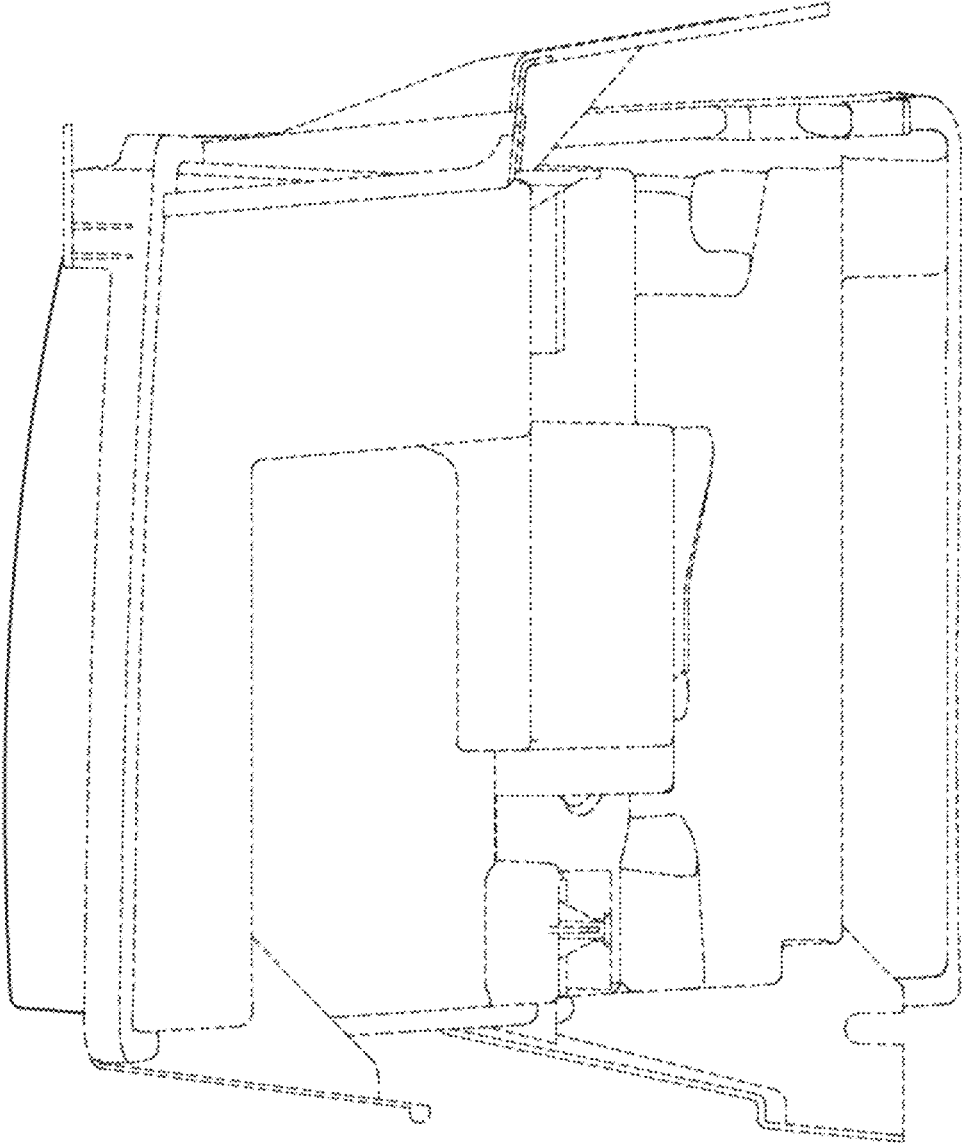


FIG. 3

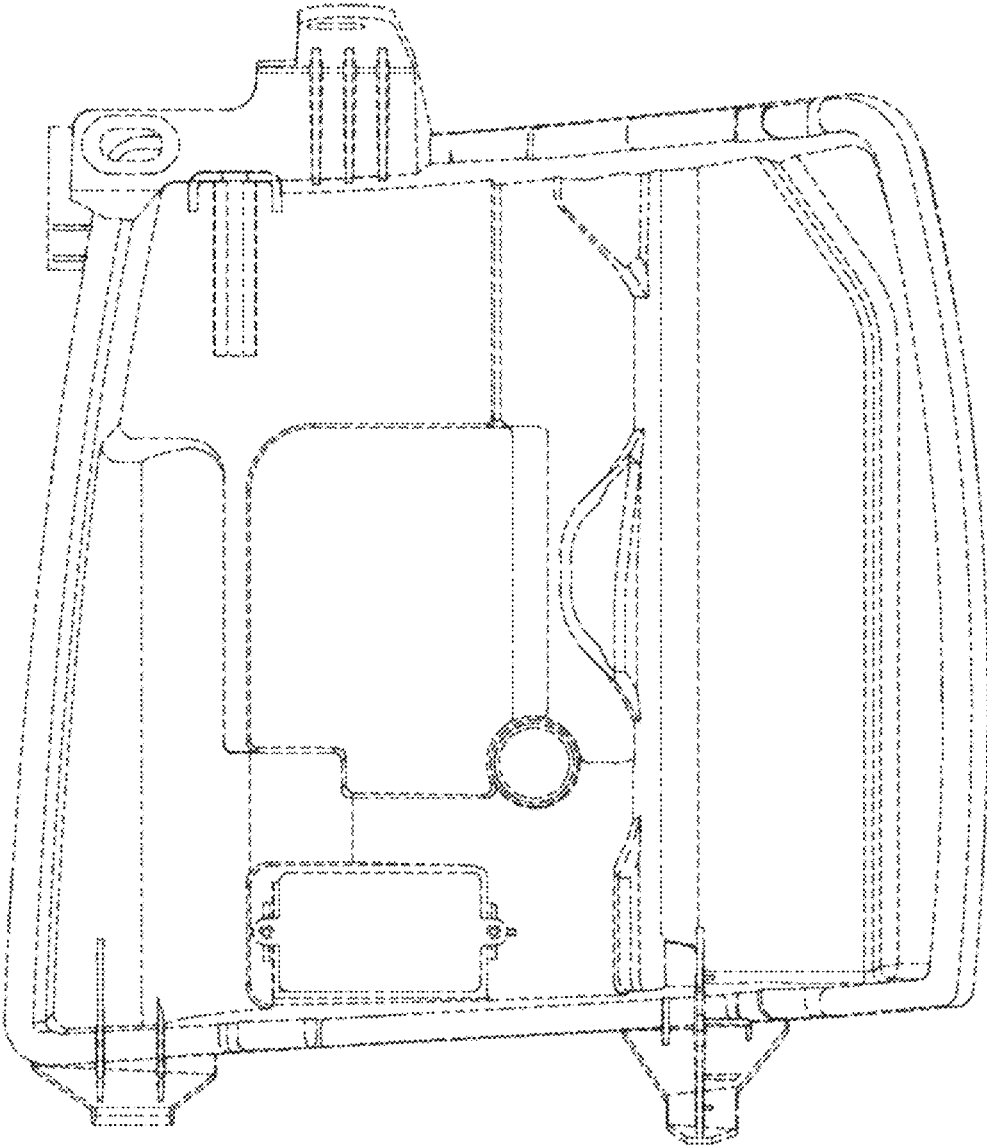


FIG. 4

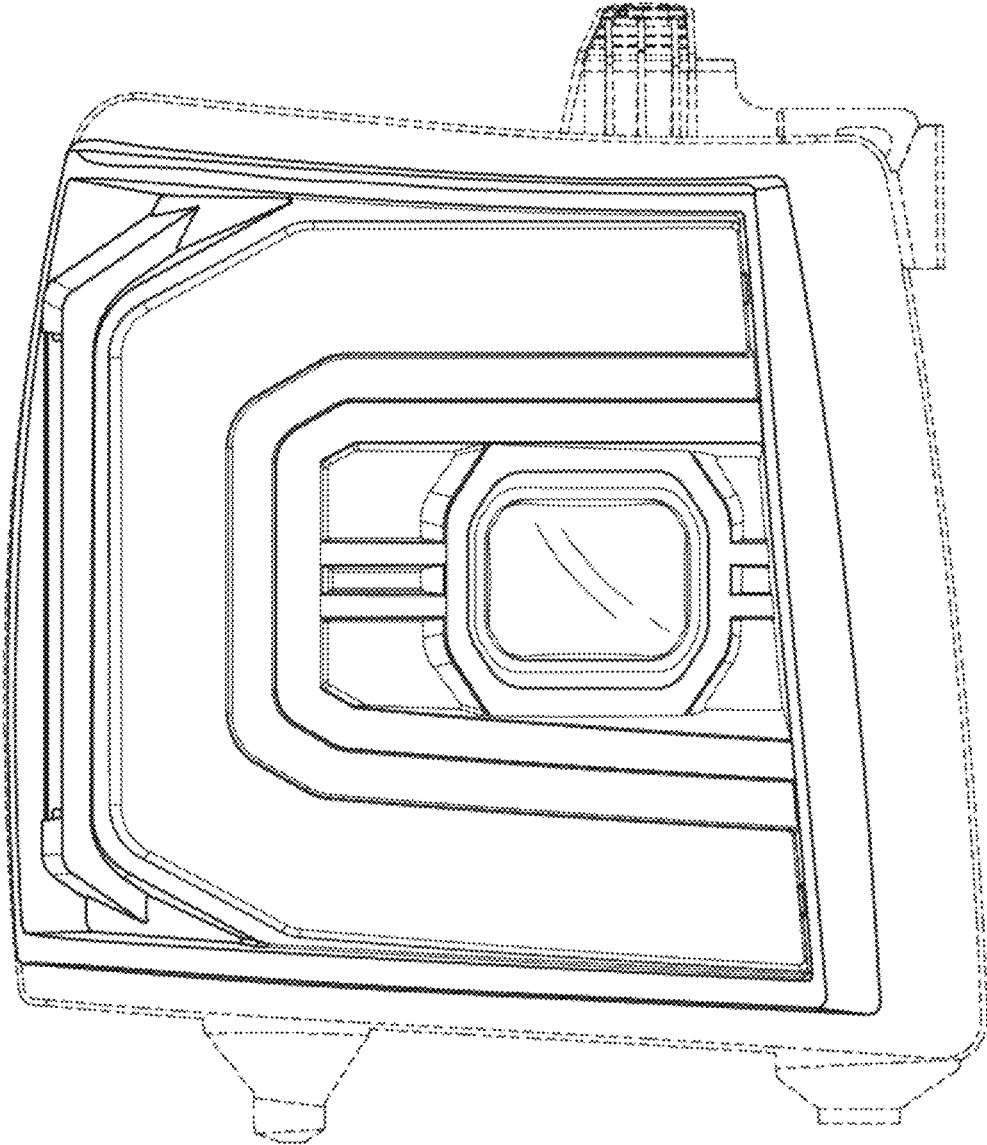


FIG. 5

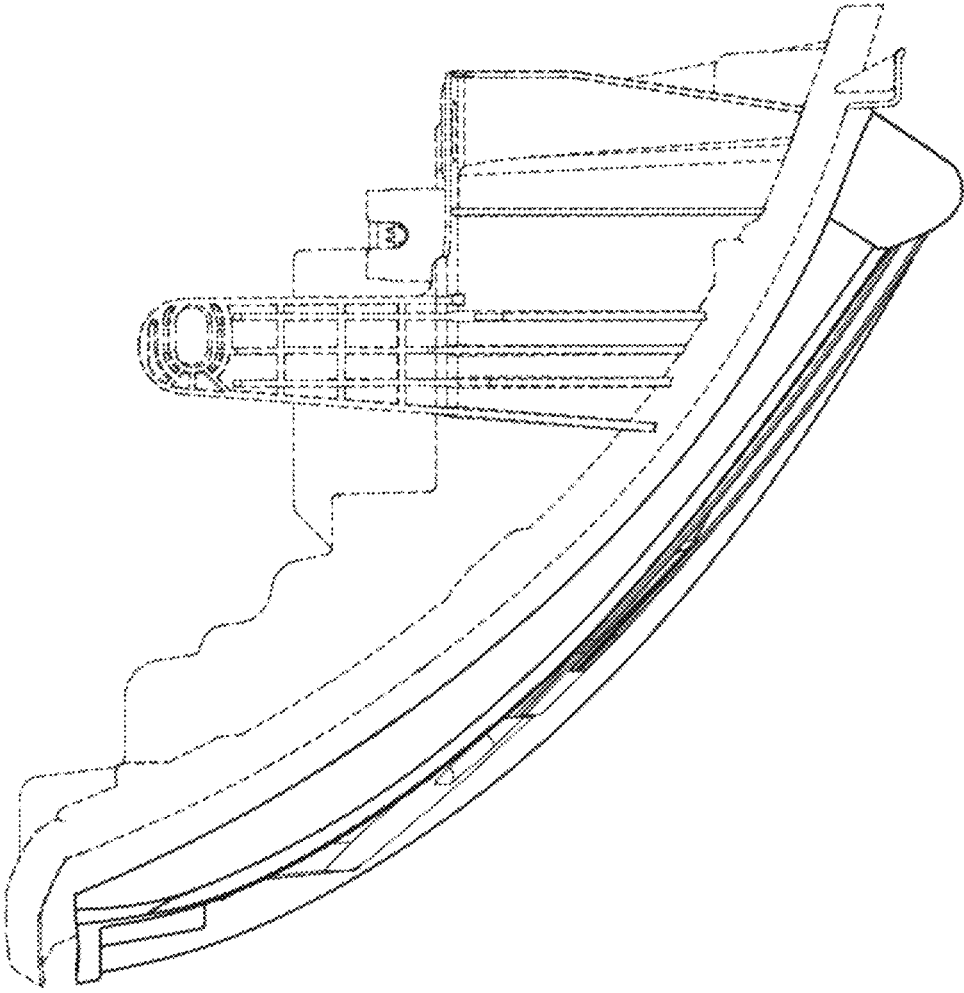


FIG. 6

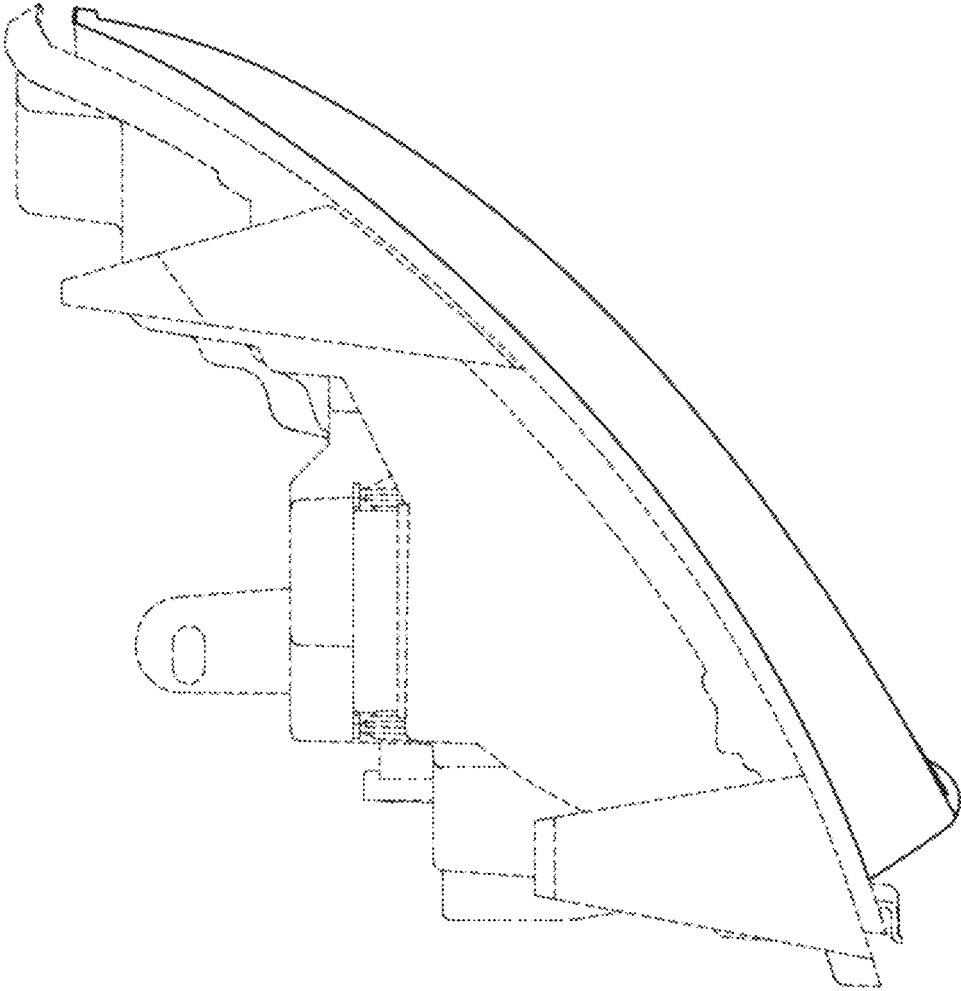


FIG. 7