



(12) **United States Design Patent**
Cinar et al.

(10) **Patent No.:** **US D997,161 S**
(45) **Date of Patent:** **** Aug. 29, 2023**

(54) **SOLID STATE DRIVE MEMORY DEVICE**

H05K 5/0214; H05K 5/0086; H05K 5/0256; H05K 5/026; H05K 5/0269; H05K 5/0278; H05K

(71) Applicant: **SAMSUNG ELECTRONICS CO., LTD.**, Suwon-si (KR)

(Continued)

(72) Inventors: **Yusuf Cinar**, Suwon-si (KR); **Jae Hong Park**, Suwon-si (KR); **Han Hong Lee**, Suwon-si (KR); **Seon Gyun Baek**, Suwon-si (KR); **Won-Gi Hong**, Suwon-si (KR)

(56) **References Cited**

U.S. PATENT DOCUMENTS

6,287,143 B1 9/2001 Lwee
D570,795 S * 6/2008 Horng D13/179
(Continued)

(73) Assignee: **SAMSUNG ELECTRONICS CO., LTD.**, Suwon-si (KR)

FOREIGN PATENT DOCUMENTS

(**) Term: **15 Years**

CN 111988944 A * 11/2020 H05K 5/03
CN 113939144 A * 1/2022 H01L 23/3672
(Continued)

(21) Appl. No.: **29/805,545**

(22) Filed: **Aug. 27, 2021**

OTHER PUBLICATIONS

Byiski B-NVME-CT M.2 SSD Aluminum Hard Disk Armor (Black), posted Jun. 11, 2020 [online], [retrieved Feb. 17, 2023]. Retrieved from internet, <https://www.amazon.com/Byiski-B-NVME-CT-Aluminum-Armor-Black/dp/B08B2G83LV> (Year: 2020).*

Related U.S. Application Data

(63) Continuation of application No. 17/217,759, filed on Mar. 30, 2021.

Primary Examiner — Marie D. Fast Horse

Assistant Examiner — Josiah D. Parsons

(74) *Attorney, Agent, or Firm* — Sughrue Mion, PLLC

(30) **Foreign Application Priority Data**

Sep. 10, 2020 (KR) 10-2020-0115976

(51) **LOC (14) Cl.** **14-02**

(52) **U.S. Cl.**

USPC **D14/435**

(58) **Field of Classification Search**

USPC D13/103, 107, 177, 179, 184; D14/301, D14/356, 432, 434, 435, 436, 437, 438, D14/363, 365, 474, 480.1, 484.1, 299, D14/300

CPC G06F 1/1658; G06F 1/1684; G06F 1/185; G06F 1/187; G06F 1/186; G06K 19/04; G06K 19/041; G06K 19/07728; G06K 19/07732; G06K 19/07747; G06K 19/077; G06K 19/0772; G11B 2220/60; H01L 23/34; H01L 23/40; H05K 5/03; H05K 5/04; H05K 5/06; H05K 5/061;

(57) **CLAIM**

The ornamental design for a solid state drive memory device, as shown and described.

DESCRIPTION

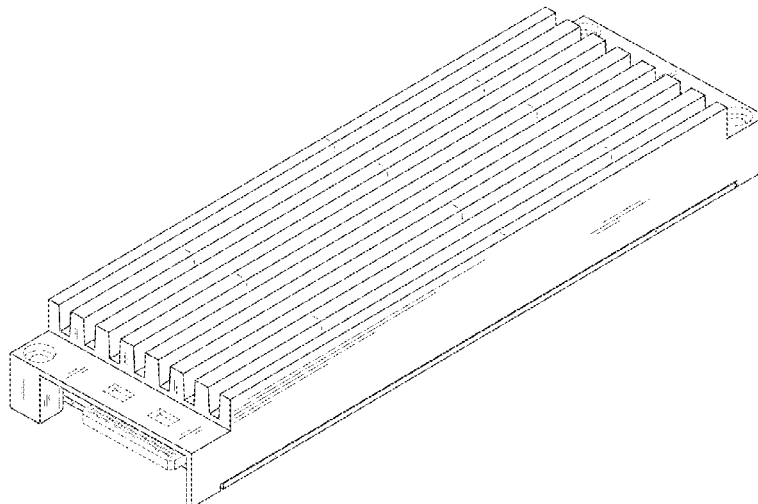
FIG. 1 is a front perspective view of a solid state drive memory device showing my new design;

FIG. 2 is a front view thereof; and,

FIG. 3 is a top plan view thereof.

The evenly dashed broken lines in the figures depict portions of the solid state drive memory device that form no part of the claimed design.

1 Claim, 3 Drawing Sheets



US D997,161 S

Page 2

(58) **Field of Classification Search**

CPC .. 5/0243; H05K 5/0004; H05K 5/0008; H05K
5/0039; H05K 5/0043; H05K 5/0047;
G11C 5/00

See application file for complete search history.

(56)

References Cited

U.S. PATENT DOCUMENTS

9,135,957 B2 9/2015 Grobe et al.
D743,399 S * 11/2015 Frank D14/435
D768,134 S * 10/2016 Andre D14/436
9,501,110 B2 11/2016 Heyd et al.
9,607,914 B2 3/2017 Gwin
D826,944 S * 8/2018 Lim D14/435
10,140,063 B2 11/2018 Worley et al.
10,349,542 B2 7/2019 Chen et al.
10,416,731 B2 9/2019 Heyd et al.
D896,229 S * 9/2020 Jun D14/435

D907,031 S * 1/2021 Fitzgerald D14/299
D943,586 S * 2/2022 Jun D14/435
D967,823 S * 10/2022 Crisp D14/435
11,585,359 B2 * 2/2023 Lu F16B 5/0635
11,632,878 B2 * 4/2023 Li H01L 23/4006
361/704
2017/0351304 A1 * 12/2017 Mundt H05K 7/1474
2018/0321715 A1 * 11/2018 Gopalakrishna G06F 1/20
2020/0174533 A1 6/2020 Long
2020/0375064 A1 * 11/2020 Chen H05K 7/20172
2021/0034124 A1 * 2/2021 Adrian G06F 1/263
2022/0015267 A1 * 1/2022 Bucher H05K 7/2049

FOREIGN PATENT DOCUMENTS

DE 202020003265 U1 * 1/2021
EP 0710955 A2 5/1996
JP 2018195436 A 12/2018
WO WO-2014123774 A1 * 8/2014 F28F 3/02

* cited by examiner

FIG. 1

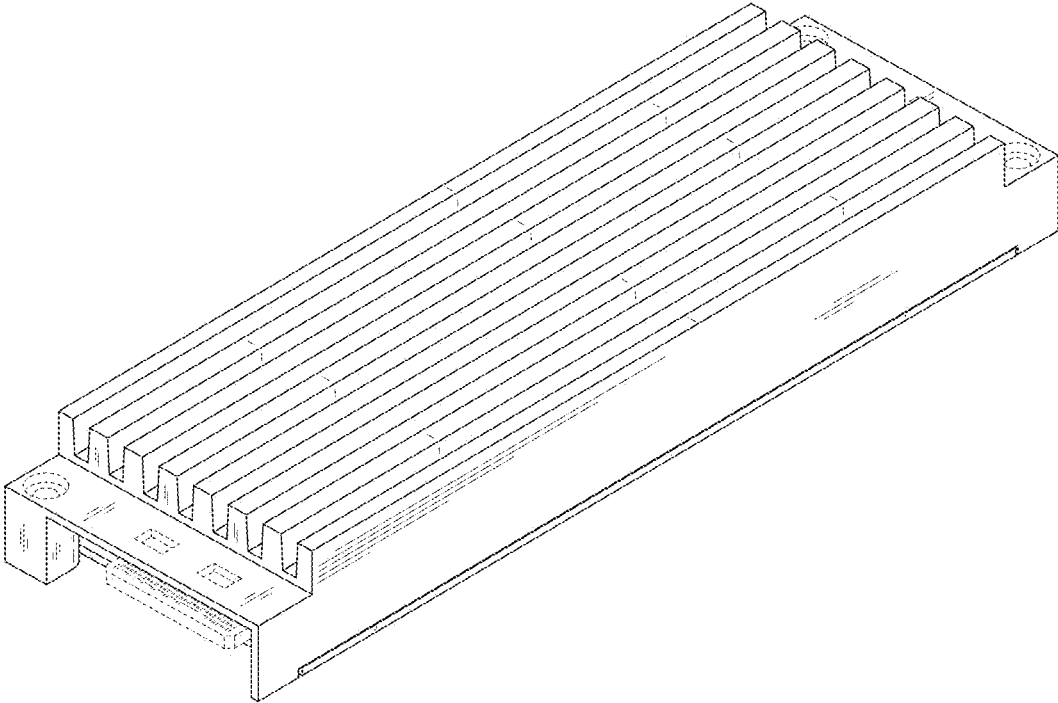


FIG. 2



FIG. 3

