



US00D676468S

(12) **United States Design Patent**
Lee et al.

(10) **Patent No.:** **US D676,468 S**
(45) **Date of Patent:** **** Feb. 19, 2013**

(54) **DRAWER FOR REFRIGERATOR**

(75) Inventors: **Hangbok Lee**, Gyeonggi-do (KR);
Hyokku Kwon, Seoul (KR); **Eunjoo Lee**, Gyeonggi-do (KR); **Hyosung Kim**, Seoul (KR)

(73) Assignee: **LG Electronics Inc.**, Seoul (KR)

(**) Term: **14 Years**

(21) Appl. No.: **29/405,468**

(22) Filed: **Nov. 2, 2011**

(30) **Foreign Application Priority Data**

May 4, 2011 (KR) 30-2011-0018440

(51) **LOC (9) Cl.** **15-07**

(52) **U.S. Cl.** **D15/89**

(58) **Field of Classification Search** D15/79-89;
62/440-449, 457, 246-255, 337, 3.6; 312/116,
312/247, 270.3, 302, 400-409

See application file for complete search history.

(56) **References Cited**

U.S. PATENT DOCUMENTS

2,104,939 A * 1/1938 Whalen 312/302
5,299,863 A * 4/1994 Albright, Jr. 312/404
D483,384 S * 12/2003 Becke D15/89

D511,535 S * 11/2005 Grobleben D15/89
D513,017 S * 12/2005 Grobleben D15/89
D513,757 S * 1/2006 Grobleben D15/89
D515,114 S * 2/2006 Grobleben D15/89

* cited by examiner

Primary Examiner — Mitchell Siegel

(74) *Attorney, Agent, or Firm* — Birch, Stewart, Kolasch & Birch, LLP

(57) **CLAIM**

The ornamental design for a drawer for refrigerator, as shown and described.

DESCRIPTION

FIG. 1 is a perspective view of a drawer for refrigerator showing our new design; FIG. 2 is a front view thereof; FIG. 3 is a rear view thereof; FIG. 4 is a left side view thereof; FIG. 5 is a right side view thereof; FIG. 6 is a top plan view thereof; FIG. 7 is a bottom plan view thereof; FIG. 8 is a reduced perspective view thereof; and, FIG. 9 is a perspective view thereof, the front panel of the drawer shown in an alternate position. The broken lines are for illustrative purposes only and form no part of the claimed design.

1 Claim, 9 Drawing Sheets

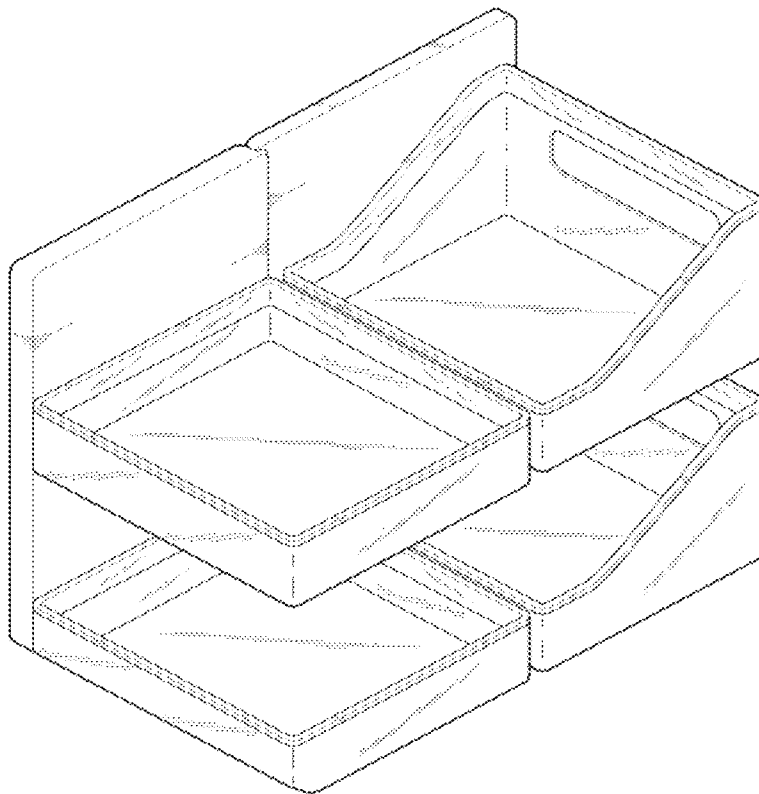


FIG. 1

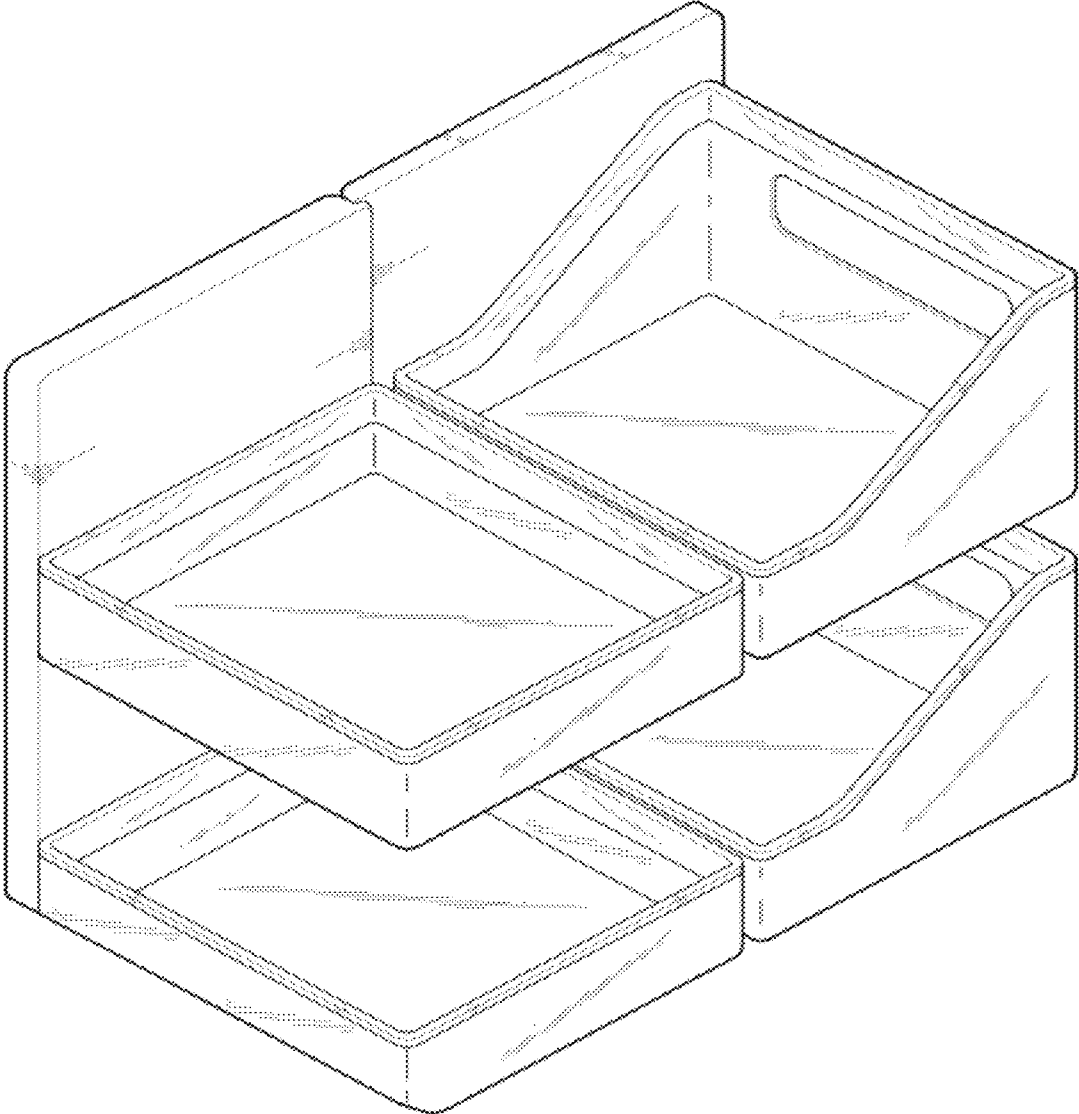


FIG. 2

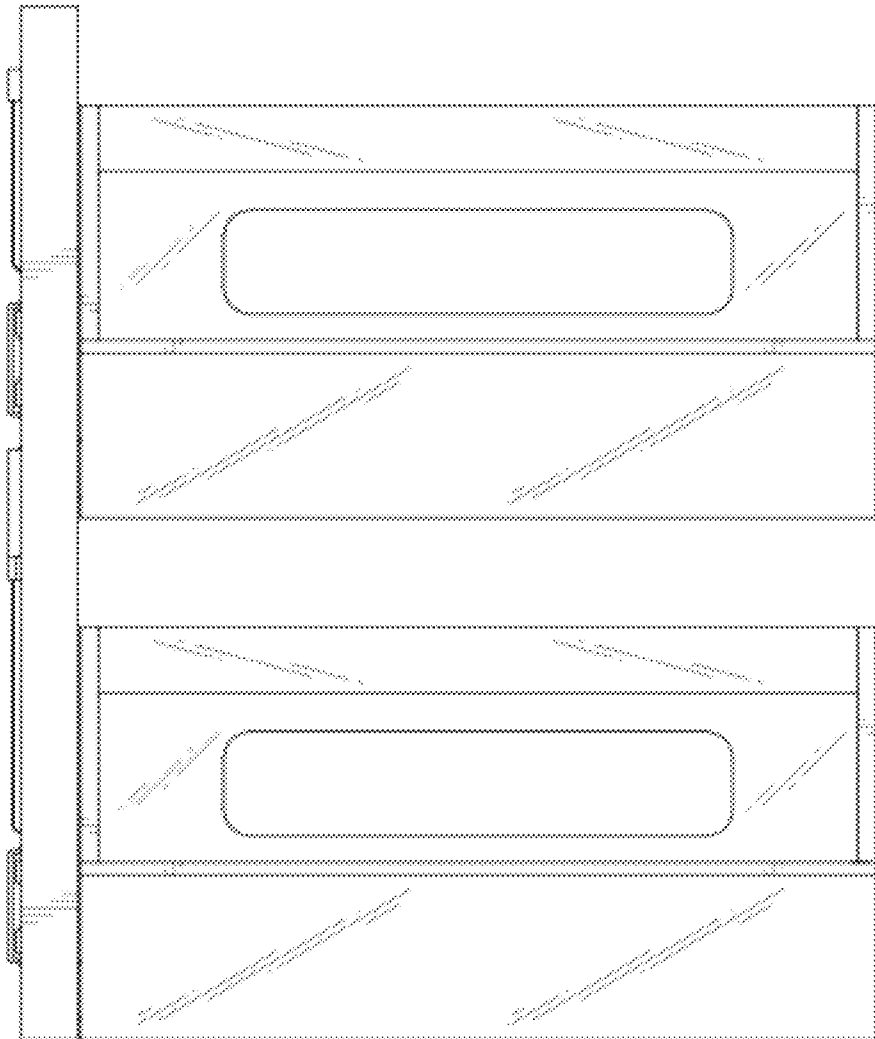


FIG. 3

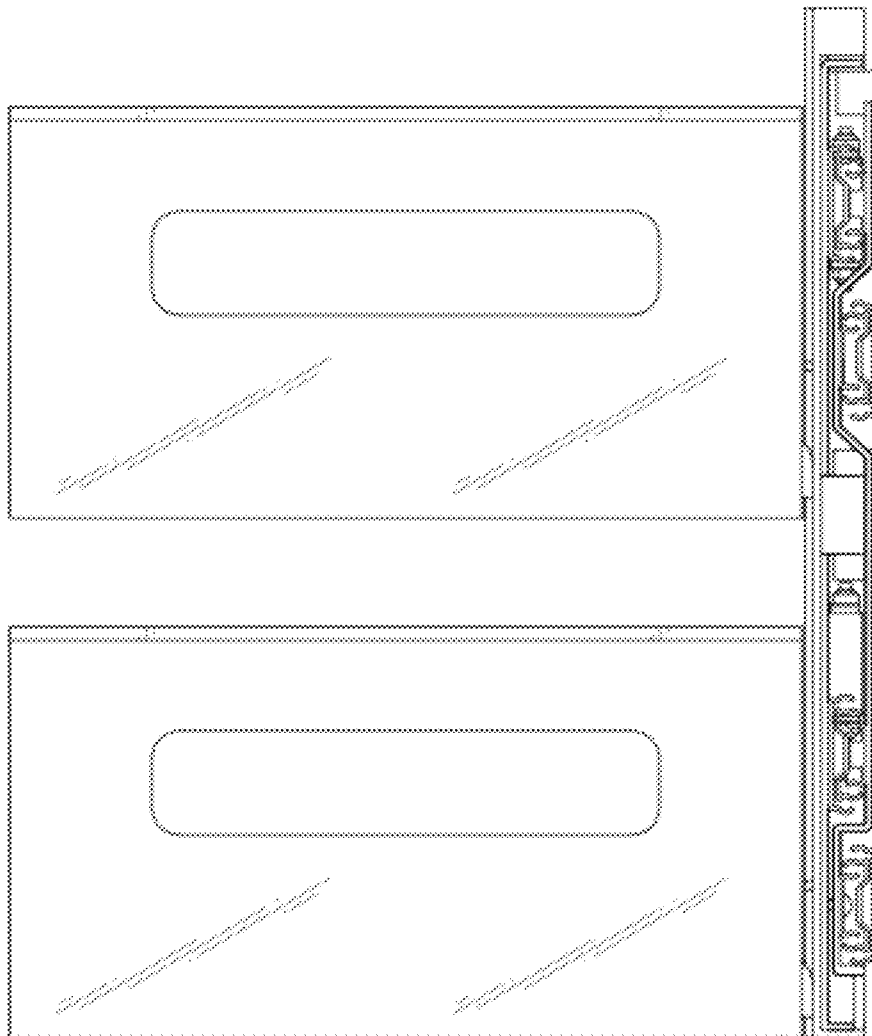


FIG. 4

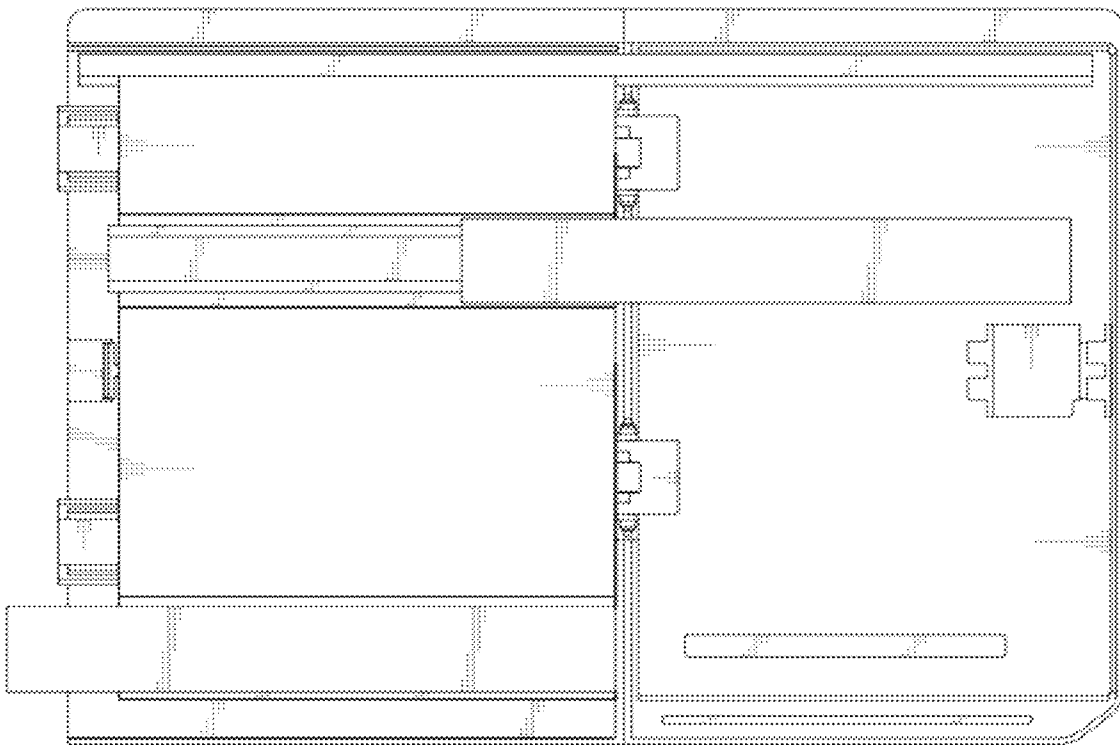


FIG. 5

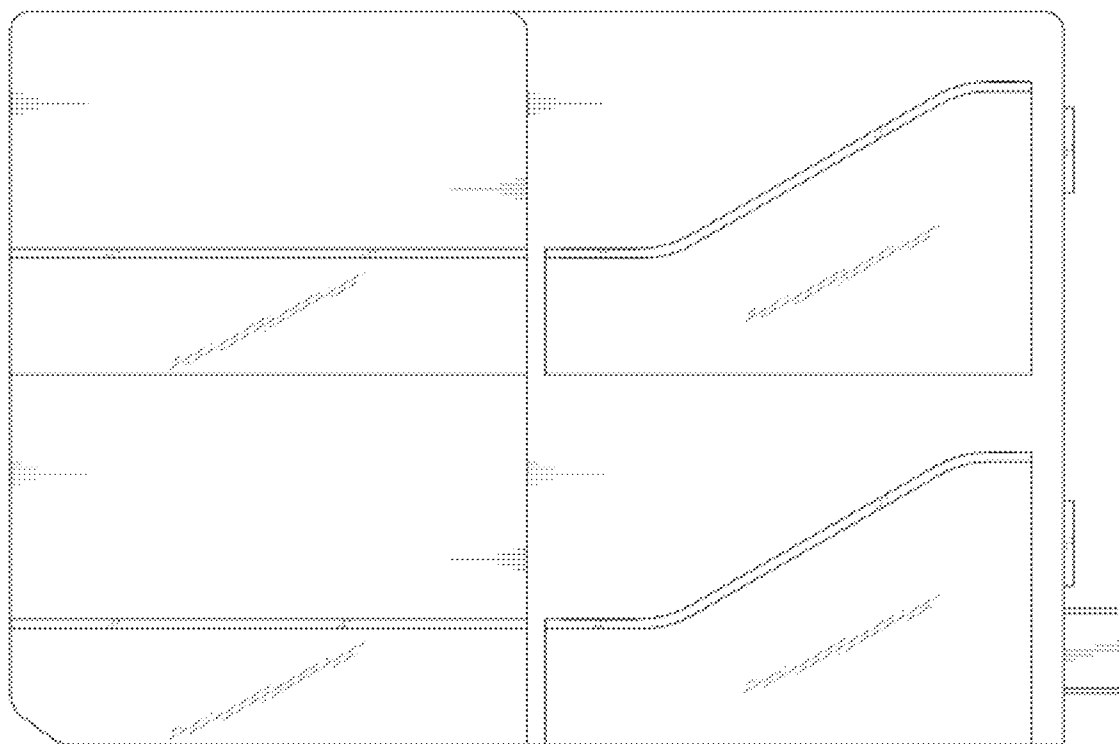


FIG. 6

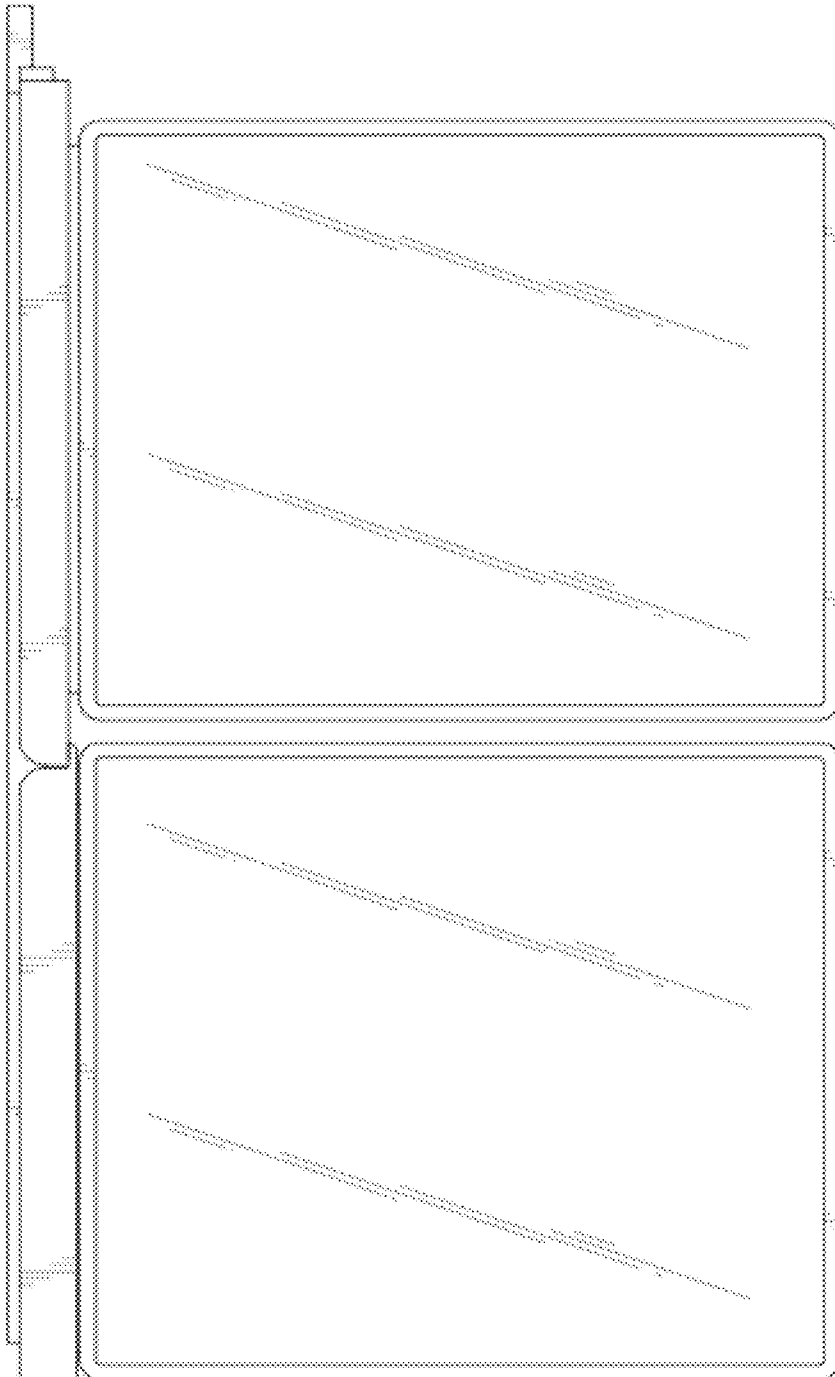


FIG. 7

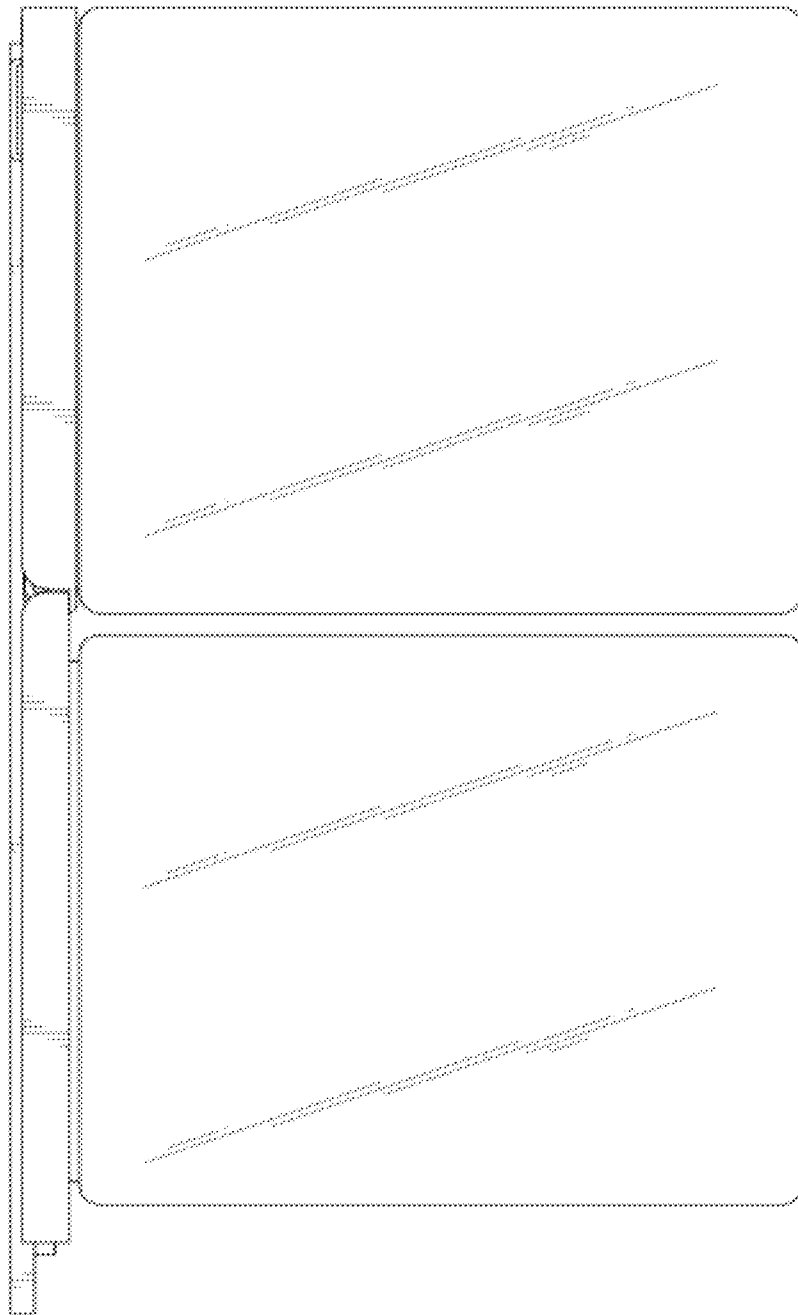


FIG. 8

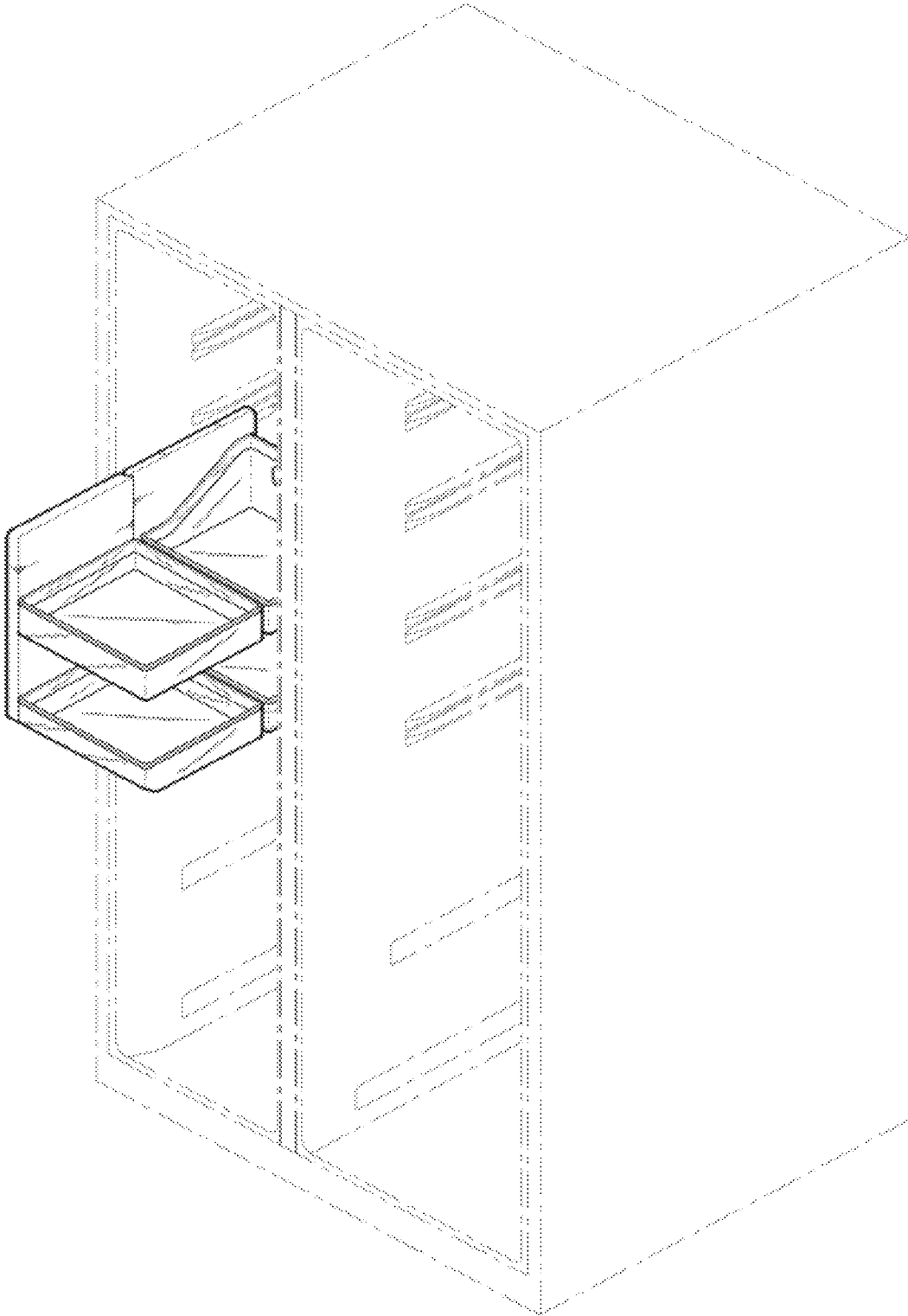


FIG. 9

