



US00D769164S

(12) **United States Design Patent**
Valencia Pollex

(10) **Patent No.:** **US D769,164 S**

(45) **Date of Patent:** **** Oct. 18, 2016**

(54) **VEHICLE WHEEL RIM**

(71) Applicant: **AUDI AG**, Ingolstadt (DE)

(72) Inventor: **Andreas Valencia Pollex**, Ingolstadt (DE)

(73) Assignee: **AUDI AG**, Ingolstadt (DE)

(**) Term: **14 Years**

(21) Appl. No.: **29/526,584**

(22) Filed: **May 11, 2015**

(30) **Foreign Application Priority Data**

Nov. 10, 2014 (EM) 002575316-0005

(51) **LOC (10) Cl.** **12-16**

(52) **U.S. Cl.**
USPC **D12/209**

(58) **Field of Classification Search**
USPC D12/204–213
CPC B60B 7/00; B60B 7/02; B60B 7/04;
B60B 7/01; B60B 7/06; B60B 3/02; B60B
3/04; B60B 3/06; B60B 3/10; B60B 1/00;
B60B 1/08; B60B 1/10; B60B 1/12
See application file for complete search history.

(56) **References Cited**

U.S. PATENT DOCUMENTS

D451,065 S * 11/2001 Braun D12/211
D455,693 S * 4/2002 Sato et al. D12/209
D461,757 S * 8/2002 Taneoka D12/211
D502,909 S * 3/2005 Pfeiffer D12/211
D504,096 S * 4/2005 Nakagawa D12/209

D581,852 S * 12/2008 Scheu D12/211
D584,208 S * 1/2009 Markefka D12/209
D589,863 S * 4/2009 Huet D12/209
D619,524 S * 7/2010 Gabath D12/209
D626,905 S * 11/2010 Camacho D12/209
D644,589 S * 9/2011 Fisker D12/211
D648,255 S * 11/2011 Scheinhutte D12/209
D655,660 S * 3/2012 Stucki D12/209
D663,248 S * 7/2012 Kogawa D12/209
D671,877 S * 12/2012 Roura D12/209
D672,303 S * 12/2012 Roura D12/209
D673,097 S * 12/2012 Lemke D12/209
D682,176 S * 5/2013 Badstuebner D12/209
D684,516 S * 6/2013 Bennon D12/209
D689,808 S * 9/2013 Buck D12/209
D695,191 S * 12/2013 Kogawa D12/209
D705,714 S * 5/2014 Hanaoka D12/209
D706,194 S * 6/2014 Hanaoka D12/209
D707,171 S * 6/2014 Hammerbeck D12/211
D740,197 S * 10/2015 Valencia Pollex D12/209
D747,256 S * 1/2016 Johnson D12/211
D751,016 S * 3/2016 Valencia Pollex D12/209
D751,021 S * 3/2016 Vaya D12/211

* cited by examiner

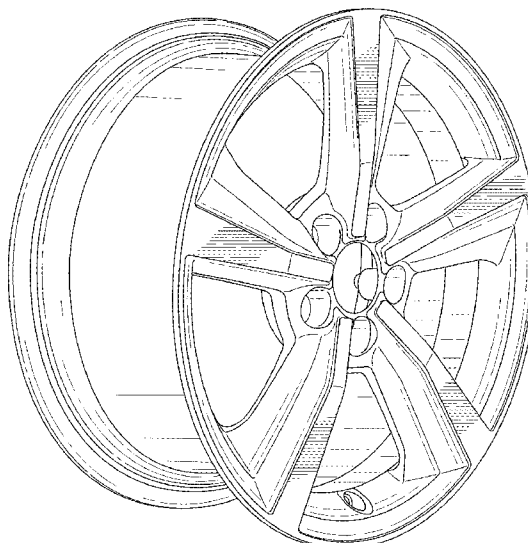
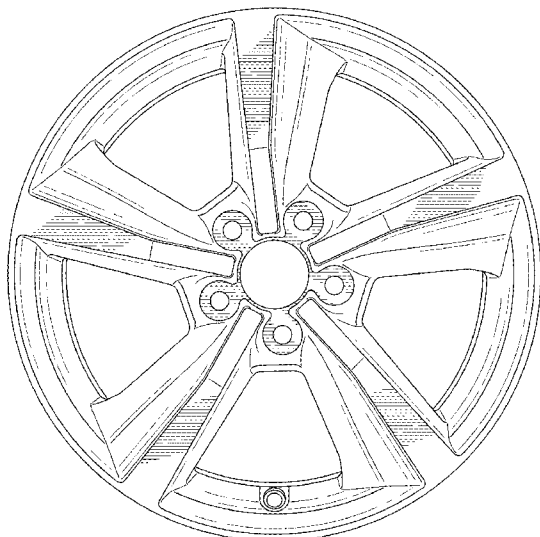
Primary Examiner — Stacia Cadmus
(74) *Attorney, Agent, or Firm* — Lucas & Mercanti, LLP;
Klaus P. Stoffel

(57) **CLAIM**
The ornamental design for a vehicle wheel rim, as shown and described.

DESCRIPTION

FIG. 1 is a front view of the vehicle wheel rim of the present invention; and,
FIG. 2 is a front, side perspective view thereof.

1 Claim, 2 Drawing Sheets



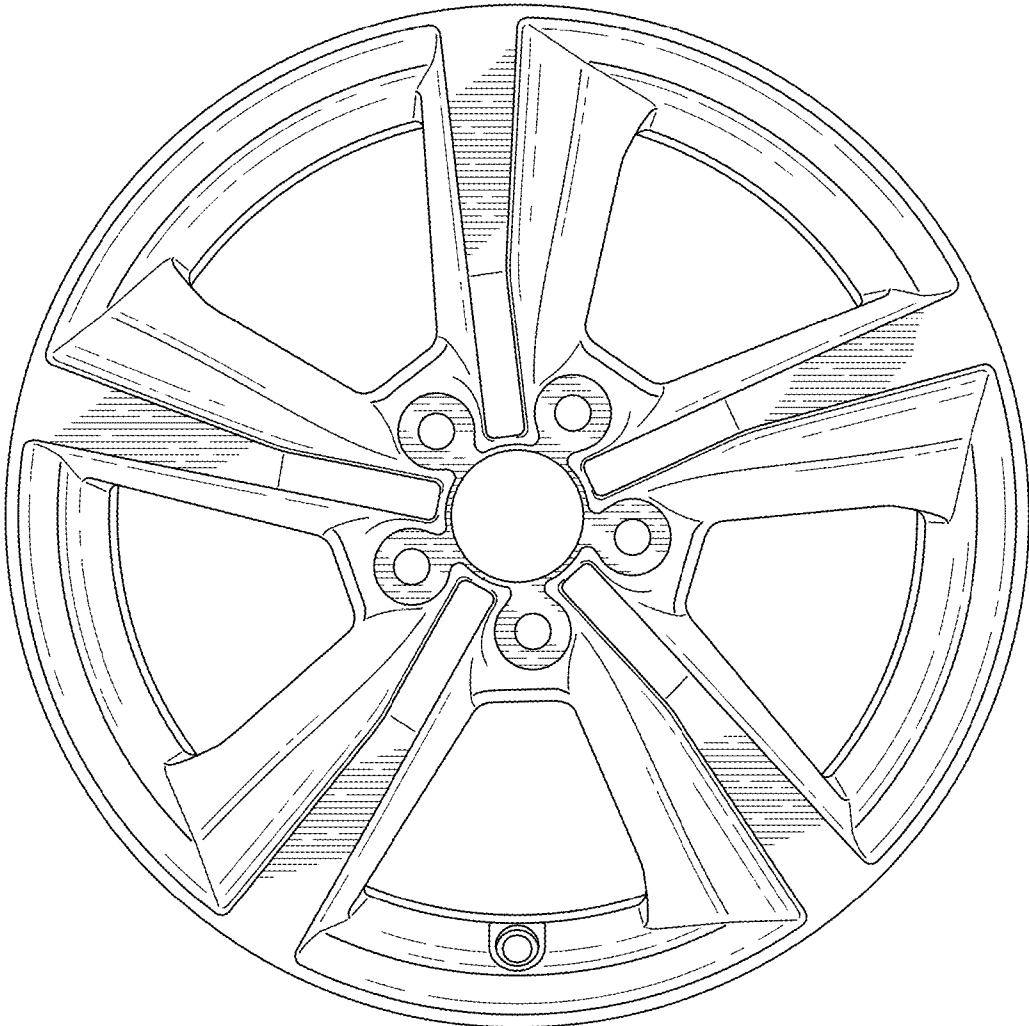


FIG. 1

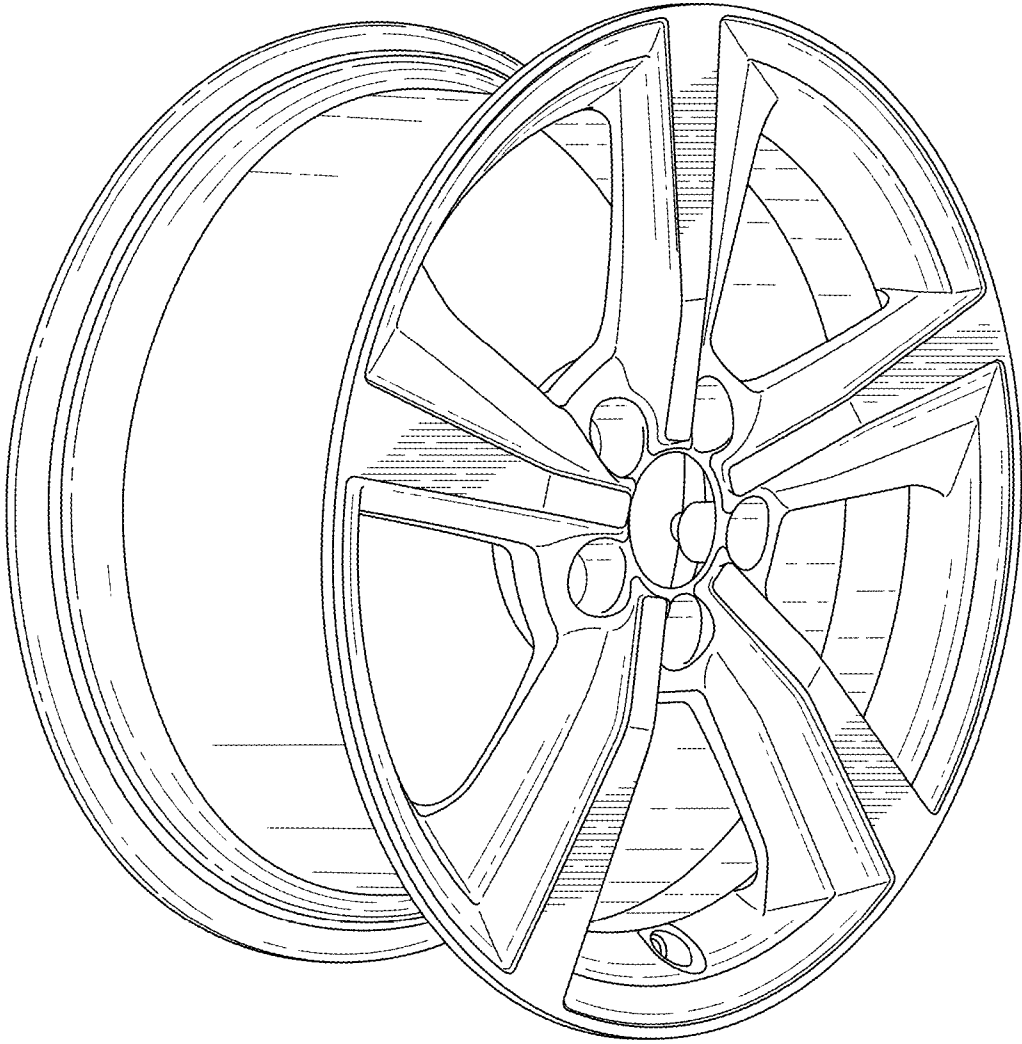


FIG. 2