



(12) **United States Design Patent**  
**Reivo et al.**

(10) **Patent No.:** **US D890,750 S**  
(45) **Date of Patent:** **\*\* \*Jul. 21, 2020**

(54) **HOUSING OF A WRIST-TOP COMPUTER**

(71) Applicant: **Suunto Oy**, Vantaa (FI)

(72) Inventors: **Tuomas Reivo**, Helsinki (FI); **Antti Kujala**, Helsinki (FI); **Jere Lallo**, Helsinki (FI)

(73) Assignee: **Suunto Oy**, Vantaa (FI)

(\* ) Notice: This patent is subject to a terminal disclaimer.

(\*\*) Term: **15 Years**

(21) Appl. No.: **29/606,364**

(22) Filed: **Jun. 3, 2017**

(51) **LOC (12) Cl.** ..... **14-02**

(52) **U.S. Cl.**  
USPC ..... **D14/344**

(58) **Field of Classification Search**  
USPC .. D14/138 R, 144, 341, 344, 358, 388, 218;  
D10/30-39, 70, 98; D11/3, 4, 26, 93-94,  
D11/78.1, 79, 86; D24/167, 169,  
D24/186-187, 164  
CPC ..... A41D 1/002; A41D 19/0034; G06F 1/04;  
G06F 1/08; G06F 1/10; G06F 1/14; G06F  
1/1626; G06F 1/1628; G06F 1/163; G06F  
1/1635; G06F 1/3203; G06Q 20/10;  
G06Q 20/12; G06Q 20/108; G06Q  
20/145; H04B 1/3833; H04B 1/385;  
H04B 1/3888; H04M 1/02; H04M 1/03;  
H04M 1/04; H04M 1/05; H04M 1/667;  
H04M 1/6058; Y02B 60/1217

See application file for complete search history.

(56) **References Cited**

**U.S. PATENT DOCUMENTS**

D245,074 S \* 7/1977 Karibe ..... D10/124  
D390,475 S \* 2/1998 Campilan ..... D10/30

D391,499 S \* 3/1998 Houlihan ..... D10/30  
D438,122 S \* 2/2001 Lai ..... D10/30  
D445,343 S \* 7/2001 Schneider ..... D10/30  
D473,480 S \* 4/2003 Jarvis ..... D10/30  
7,210,845 B2 \* 5/2007 Oesch ..... H01R 13/6485  
368/319  
D605,533 S \* 12/2009 Schoepfer ..... D10/38  
D607,361 S \* 1/2010 Ahlstrom ..... D10/126  
D613,737 S \* 4/2010 Ahlstrom ..... D14/344  
D621,399 S \* 8/2010 Ahlstrom ..... D14/344  
D652,744 S \* 1/2012 Nandha ..... D10/39

(Continued)

**OTHER PUBLICATIONS**

Suunto Spartan Ultra In-Depth Review, posted Oct. 25, 2016, [retrieved Aug. 16, 2019]. Retrieved from Internet, <URL: https://www.dcrainmaker.com/2016/10/suunto-spartan-ultra-review.html >.\*

(Continued)

*Primary Examiner* — Shannon W Morgan  
*Assistant Examiner* — Kristin E Reed  
(74) *Attorney, Agent, or Firm* — Terence P. O'Brien

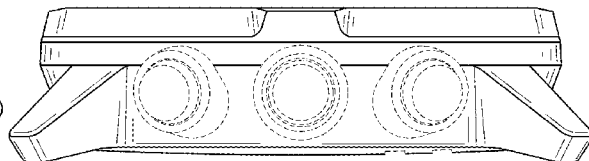
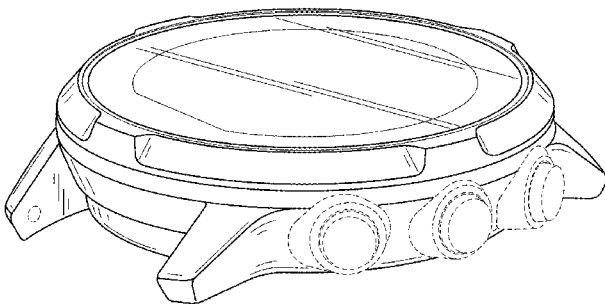
(57) **CLAIM**

We claim the ornamental design for a housing of a wrist-top computer, as shown and described.

**DESCRIPTION**

FIG. 1 is top, side perspective view of a housing of a wrist-top computer;  
FIG. 2 is a first end view of the housing of FIG. 1;  
FIG. 3 is a second end view of the housing of FIG. 1;  
FIG. 4 is a first side view of the housing of FIG. 1;  
FIG. 5 is a second side view of the housing of FIG. 1;  
FIG. 6 is a top view of the housing of FIG. 1; and,  
FIG. 7 is a bottom view of the housing of FIG. 1.  
The broken lines shown in the drawings depict portions of the housing of a wrist-top computer that form no part of the claimed design.

**1 Claim, 4 Drawing Sheets**



(56)

**References Cited**

U.S. PATENT DOCUMENTS

D673,464 S \* 1/2013 Perko ..... D10/38  
D677,596 S \* 3/2013 Hinskens ..... D10/128  
D772,868 S \* 11/2016 Park ..... D10/39  
D868,778 S \* 12/2019 Reivo ..... D14/344  
D868,779 S \* 12/2019 Reivo ..... D14/344

OTHER PUBLICATIONS

Kailash: Suunto unveils smartwatch for avid travelers, posted Oct. 16, 2015, [retrieved Aug. 16, 2019]. Retrieved from Internet, <URL: <http://www.mycoolbin.com/2015/10/16/kailash-suunto-unveils-smartwatch-for-avid-travelers/>>.\*

Home > Sports Watches > Suunto Spartan Sport Sakura, posted as early as Oct. 25, 2016, [retrieved Aug. 16, 2019]. Retrieved from Internet, <URL: <https://www.suunto.com/Products/sports-watches/Suunto-Spartan-Sport/Suunto-Spartan-Sport-Sakura/>>.\*

\* cited by examiner

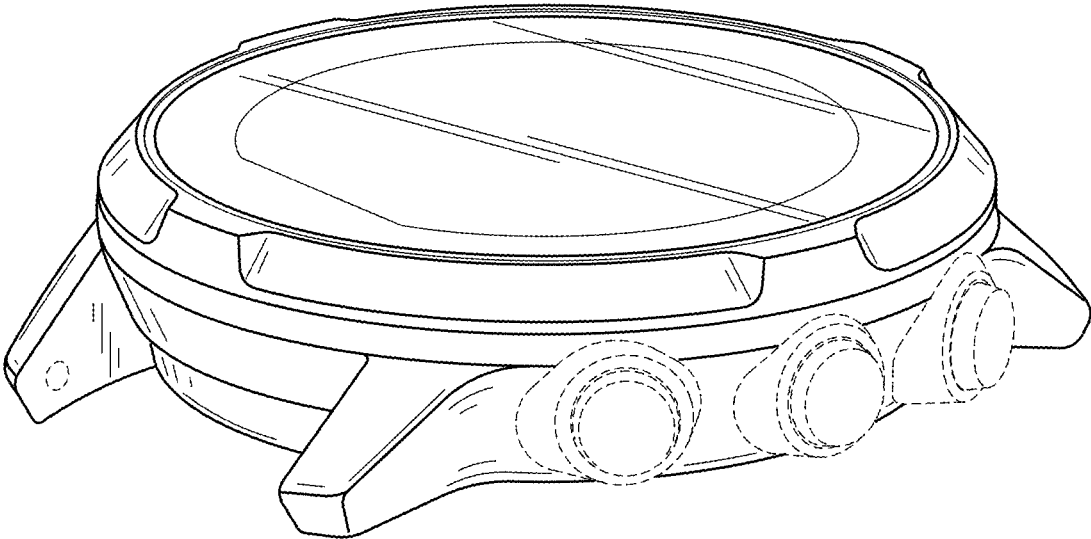


FIG. 1

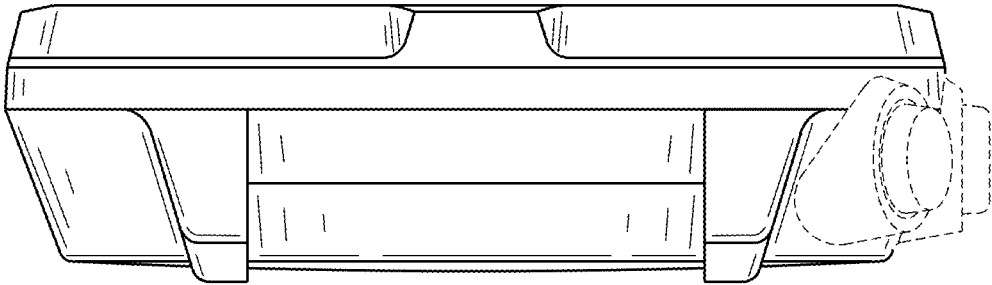


FIG. 2

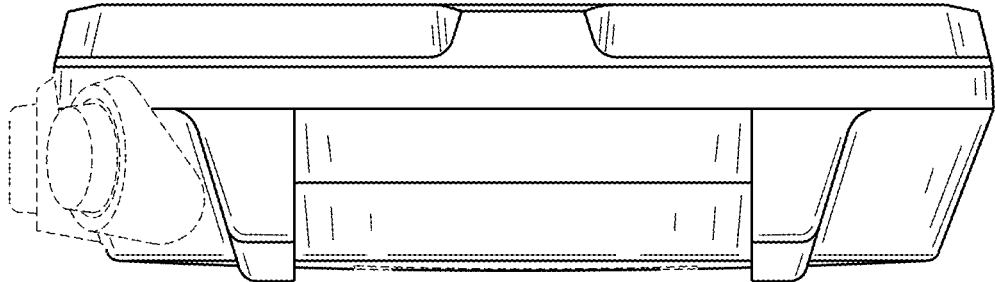


FIG. 3

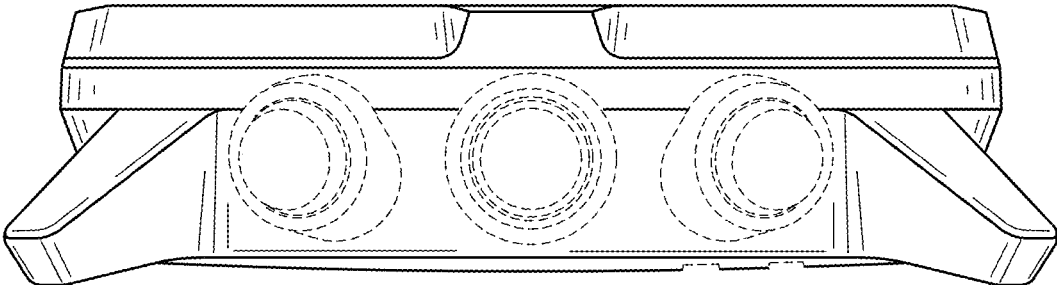


FIG. 4

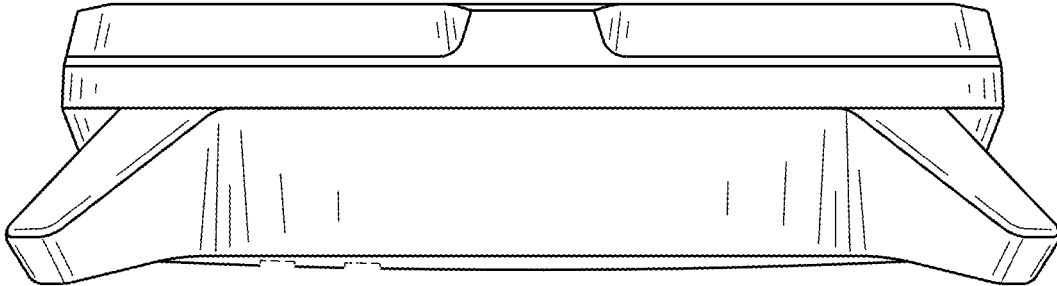


FIG. 5

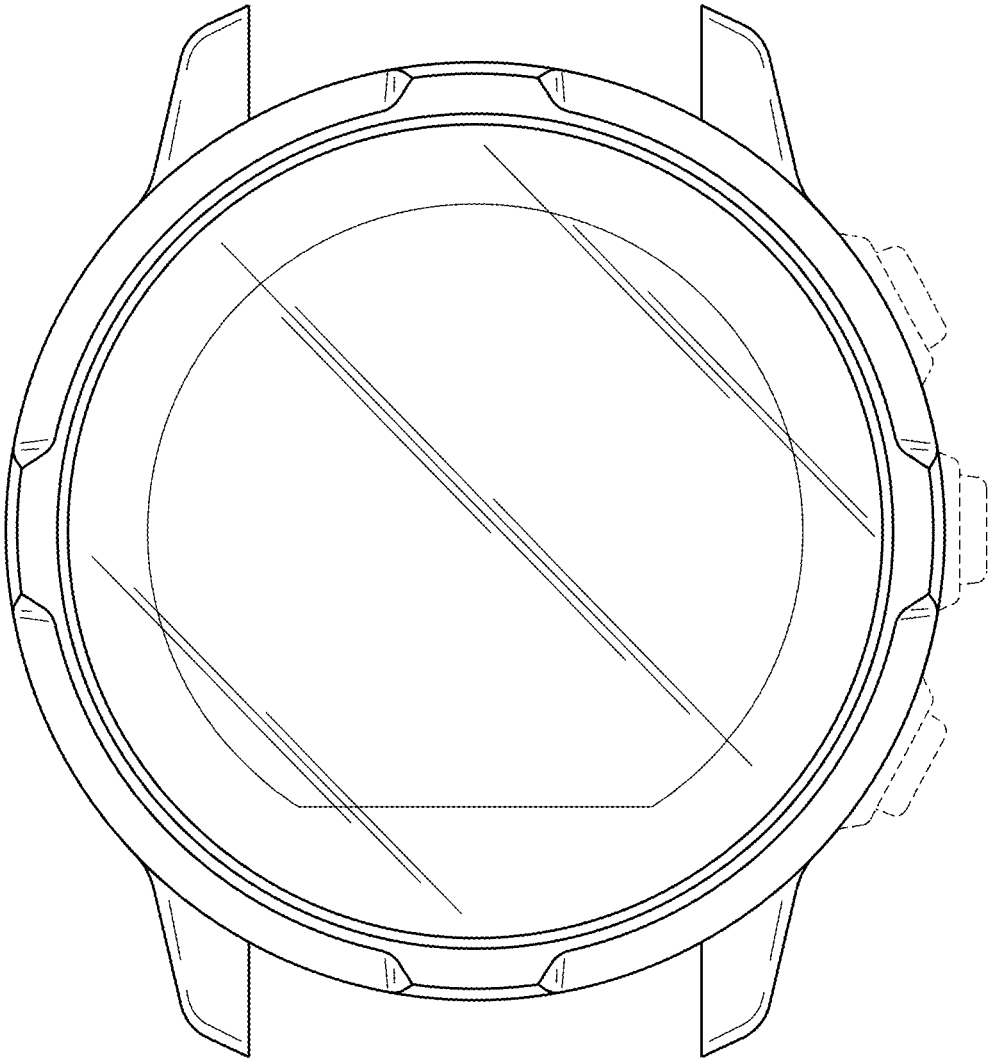


FIG. 6

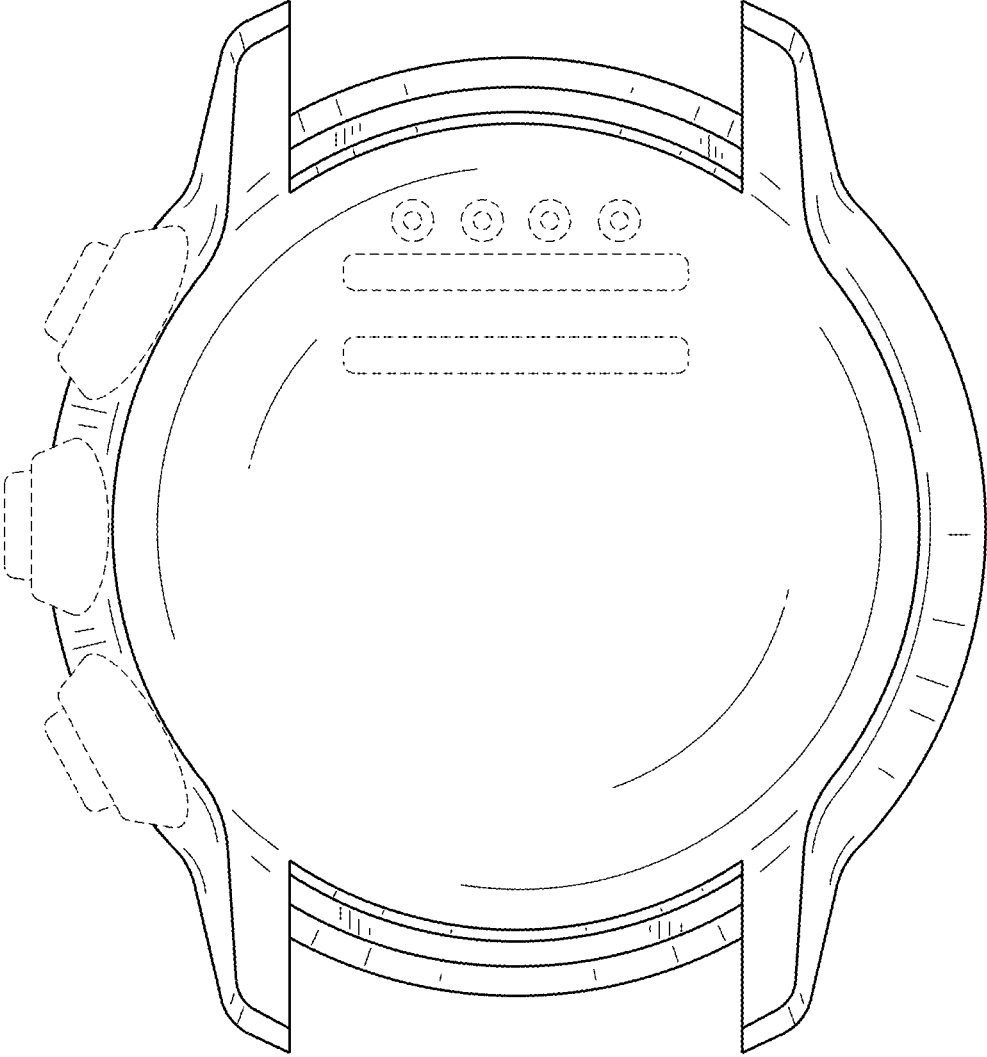


FIG. 7