



US00D994759S

(12) **United States Design Patent**
Klepp et al.

(10) **Patent No.:** **US D994,759 S**

(45) **Date of Patent:** **** Aug. 8, 2023**

(54) **FRAME COMPONENTS FOR EYEGLASSES**

Primary Examiner — Bao-Yen T Nguyen

(71) Applicant: **Stewart Charley Ventures, LLC**, San Francisco, CA (US)

Assistant Examiner — Loryn K. LeBlanc

(74) *Attorney, Agent, or Firm* — K&L Gates LLP

(72) Inventors: **Sindre Klepp**, Oslo (NO); **Tom Stewart**, San Francisco, CA (US)

(73) Assignee: **STEWART CHARLEY VENTURES, LLC**, San Francisco, CA (US)

(**) Term: **15 Years**

(57) **CLAIM**

The ornamental design for frame components for eyeglasses, as shown and described.

(21) Appl. No.: **29/774,978**

(22) Filed: **Mar. 19, 2021**

(51) **LOC (14) Cl.** **16-06**

(52) **U.S. Cl.**

USPC **D16/300**

(58) **Field of Classification Search**

USPC D14/372; D16/100, 101, 300–342; D21/658–661; D24/110.2; D29/104–110
CPC ... G02C 7/02; G02C 1/10; G02C 3/00; G02C 5/124; G02C 7/022; G02C 1/00; G02C 1/02; G02C 1/023; G02C 5/00; G02C 5/001; G02C 5/02; G02C 5/04; G02C 5/10; G02C 5/12; G02C 5/146; G02C 5/22;

(Continued)

DESCRIPTION

FIG. 1 is a perspective view of frame components for eyeglasses.

FIG. 2 is a front view of the frame components for eyeglasses of FIG. 1.

FIG. 3 is a rear view of the frame components for eyeglasses of FIG. 1.

FIG. 4 is a left view of the frame components for eyeglasses of FIG. 1.

FIG. 5 is a right view of the frame components for eyeglasses of FIG. 1.

FIG. 6 is a top view of the frame components for eyeglasses of FIG. 1.

FIG. 7 is a bottom view of the frame components for eyeglasses of FIG. 1.

FIG. 8 is a detailed view of the frame components for eyeglasses of FIG. 1 as indicated in FIG. 1.

FIG. 9 is a detailed view of the frame components for eyeglasses of FIG. 1 as indicated in FIG. 1.

FIG. 10 is a detailed view of the frame components for eyeglasses of FIG. 1 as indicated in FIG. 2; and,

FIG. 11 is a front view of the frame components for eyeglasses of FIG. 1 as indicated in FIG. 4.

The broken lines shown in the drawings depict portions of the frame components for eyeglasses and form no part of the claimed design. The broken lines in the form of dash-dot-dash are for the purpose of disclosing enlarged detailed views and form no part of the claimed design.

(56) **References Cited**

U.S. PATENT DOCUMENTS

D134,485 S * 12/1942 Lewis D16/303
D186,630 S * 11/1959 Corrigan D16/303

(Continued)

FOREIGN PATENT DOCUMENTS

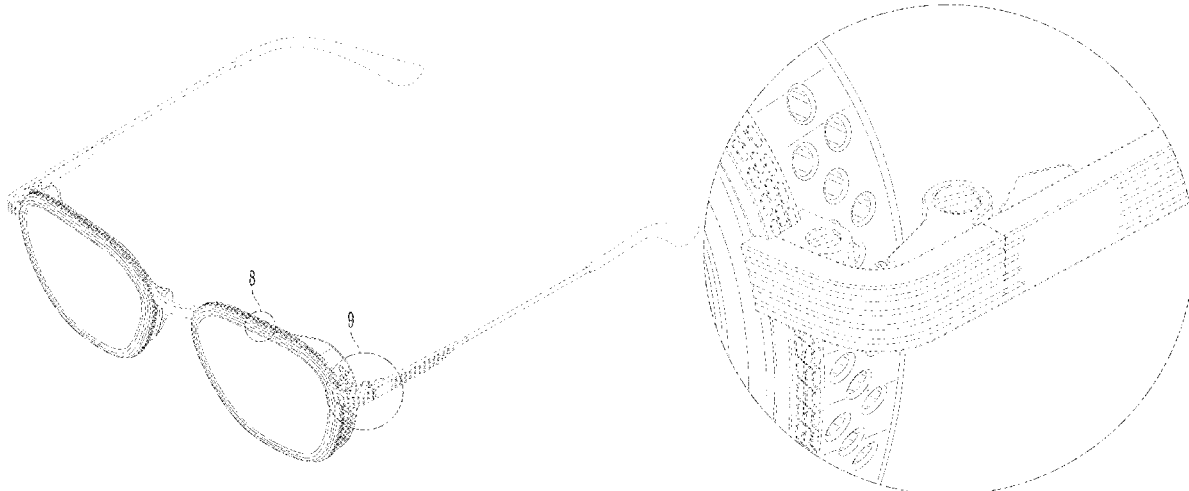
KR 301187366.0000 * 10/2022

OTHER PUBLICATIONS

Bernina, product availability unknown [online], review Aug. 19, 2020 [online], [site visited Nov. 4, 2022]; URL:<<https://sunski.com/products/bernina?variant=31439983837250>> (Year: 2020).*

(Continued)

1 Claim, 11 Drawing Sheets



(58) **Field of Classification Search**

CPC G02C 7/061; G02C 7/063; G02C 7/10;
 G02C 2200/02; G02C 2200/04; G02C
 2200/06; G02C 2200/08; G02C 2200/18;
 G02C 2200/20; B29D 11/00; B29D
 11/00009; B29D 11/00028; B29D
 11/00019; A61F 2009/021; A61F 9/025;
 A61F 9/045; A61F 9/02; A63B 33/002;
 A63B 33/004; A63B 33/006; A63B
 33/008

See application file for complete search history.

(56)

References Cited

U.S. PATENT DOCUMENTS

D202,444 S * 9/1965 Hoffmaster D16/330
 D210,622 S * 3/1968 Simpson 16/108
 D382,892 S * 8/1997 Murai D16/335

5,980,036 A * 11/1999 Solomon G02C 9/00
 351/57
 D423,551 S * 4/2000 Lamy D16/326
 D591,333 S * 4/2009 Flanagan D16/326
 D892,916 S * 8/2020 Renon D16/323

OTHER PUBLICATIONS

Vincent Chase, product availability unknown [online], review Oct.
 4, 2022 [online], [site visited Nov. 4, 2022]; URL:<[https://www.
 flipkart.com/vincent-chase-lenskart-aviator-sunglasses/p/
 itmebd9c68c82e2f?pid=SGLGFYDUUTWDRZFB&lid=
 LSTSGLGFYDUUTWDRZFB6SB01A&marketplace=
 FLIPKART](https://www.flipkart.com/vincent-chase-lenskart-aviator-sunglasses/p/itmebd9c68c82e2f?pid=SGLGFYDUUTWDRZFB&lid=LSTSGLGFYDUUTWDRZFB6SB01A&marketplace=FLIPKART)> (Year: 2022).
 Author Unknown; Treeline Images; Retrieved from [https://sunski.
 com/products/treeline?variant=40791993516201](https://sunski.com/products/treeline?variant=40791993516201); 1st on sale Mar.
 2018; 1 pg.

* cited by examiner

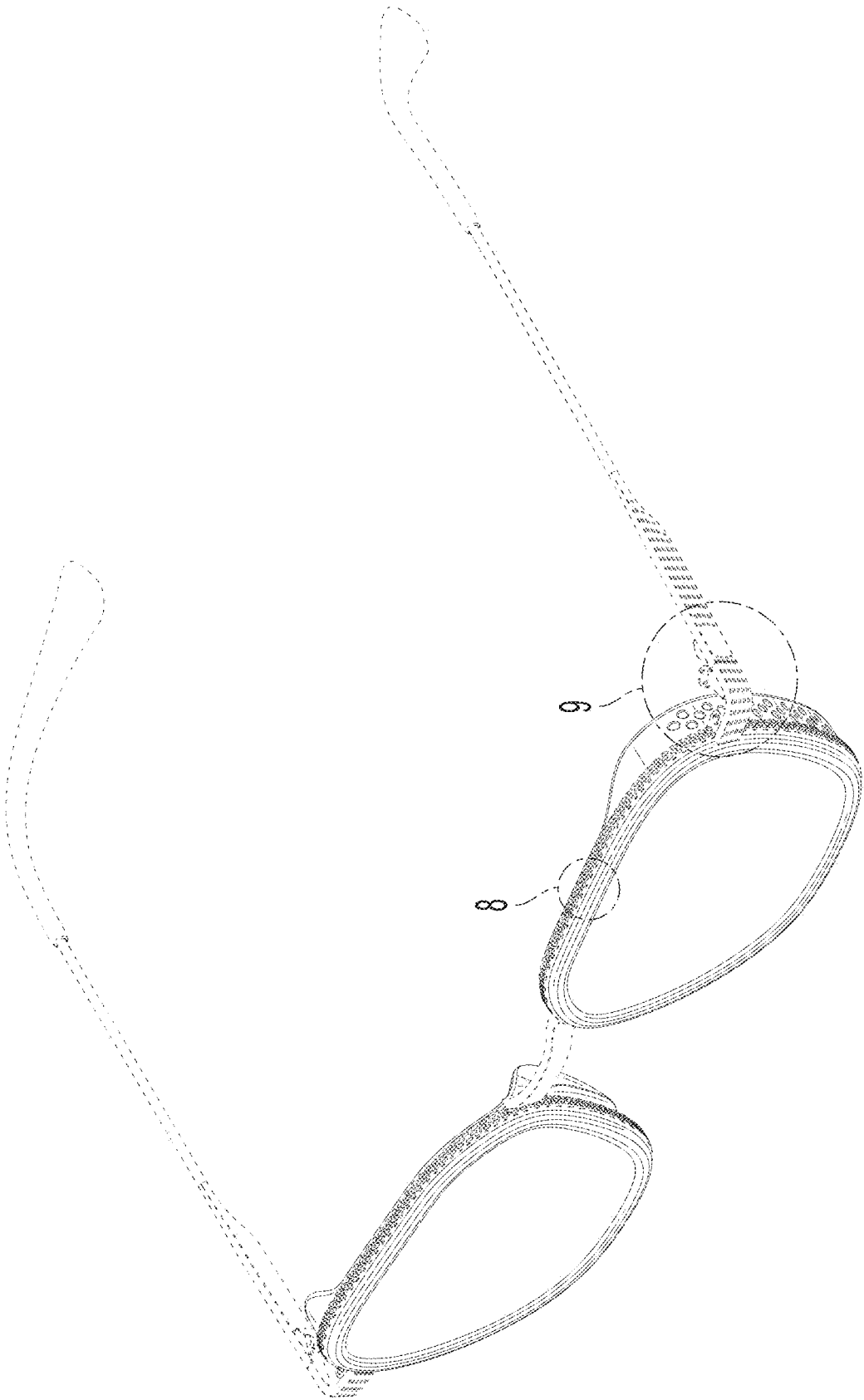


FIG. 1

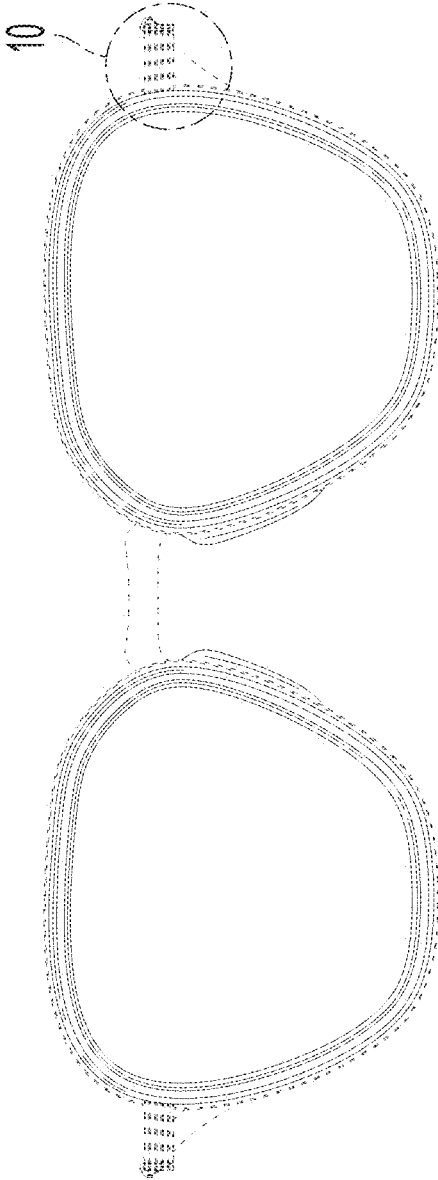


FIG. 2

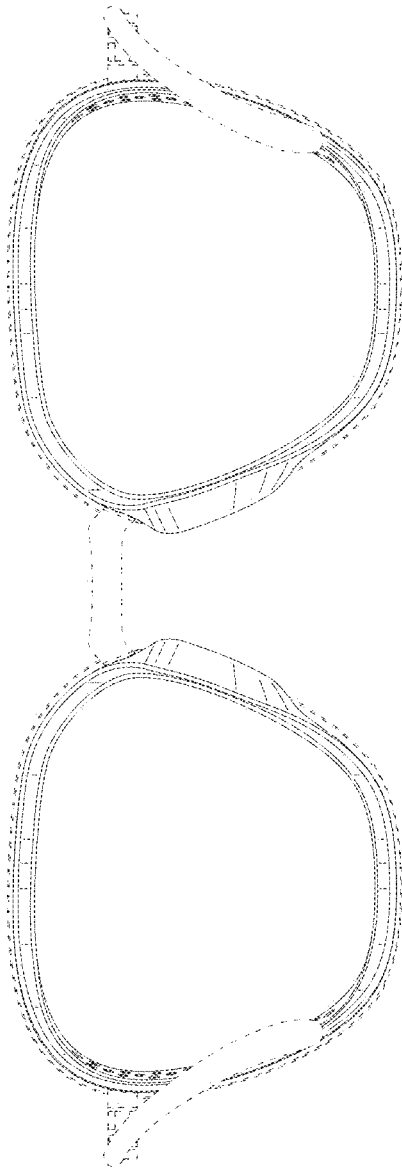


FIG. 3

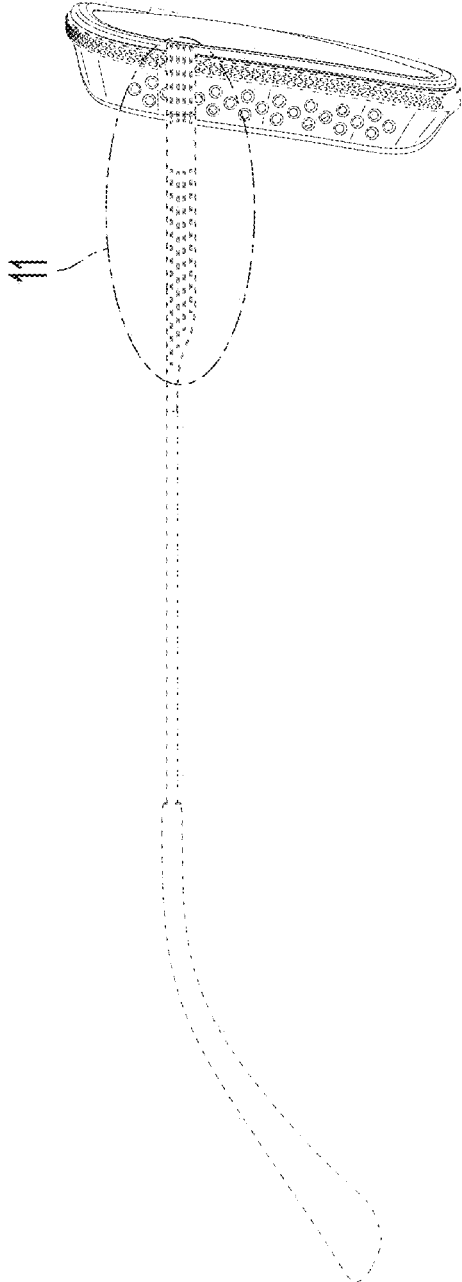


FIG. 4

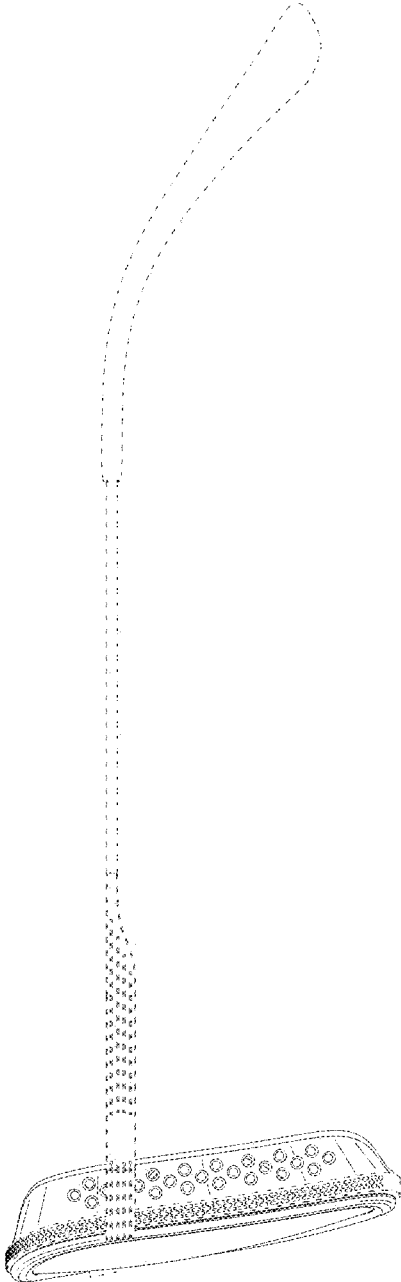


FIG. 5

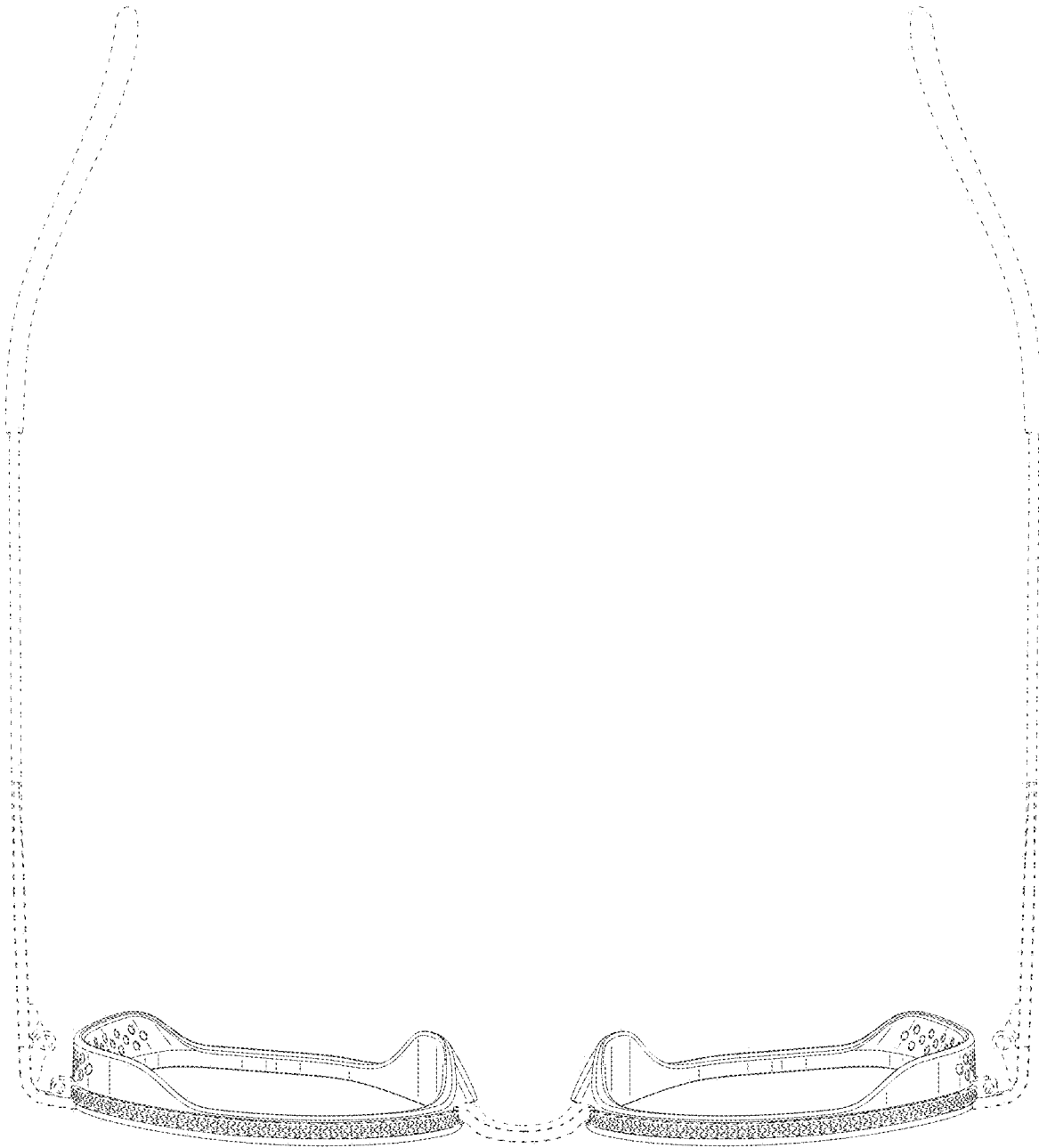


FIG. 6

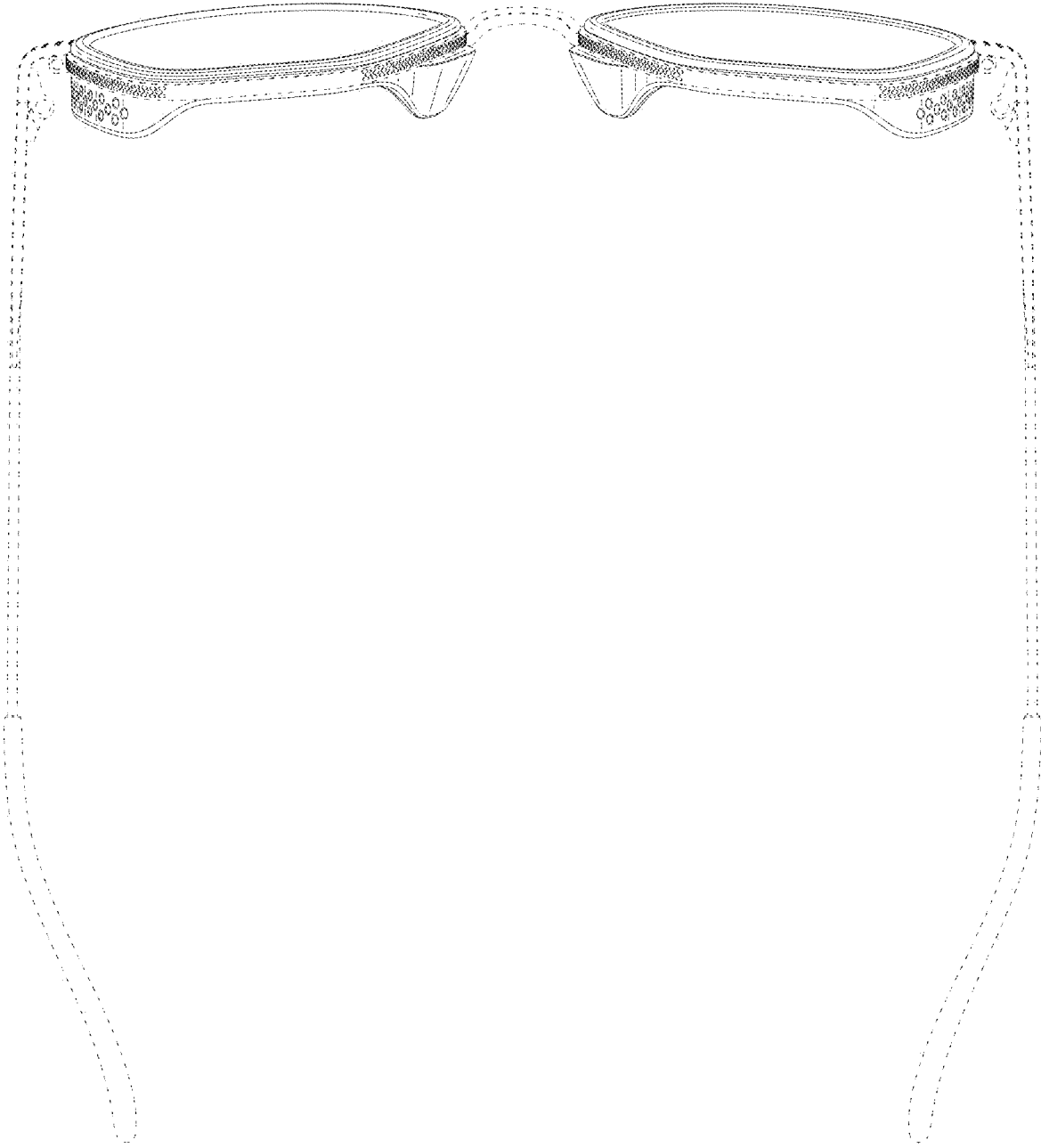


FIG. 7

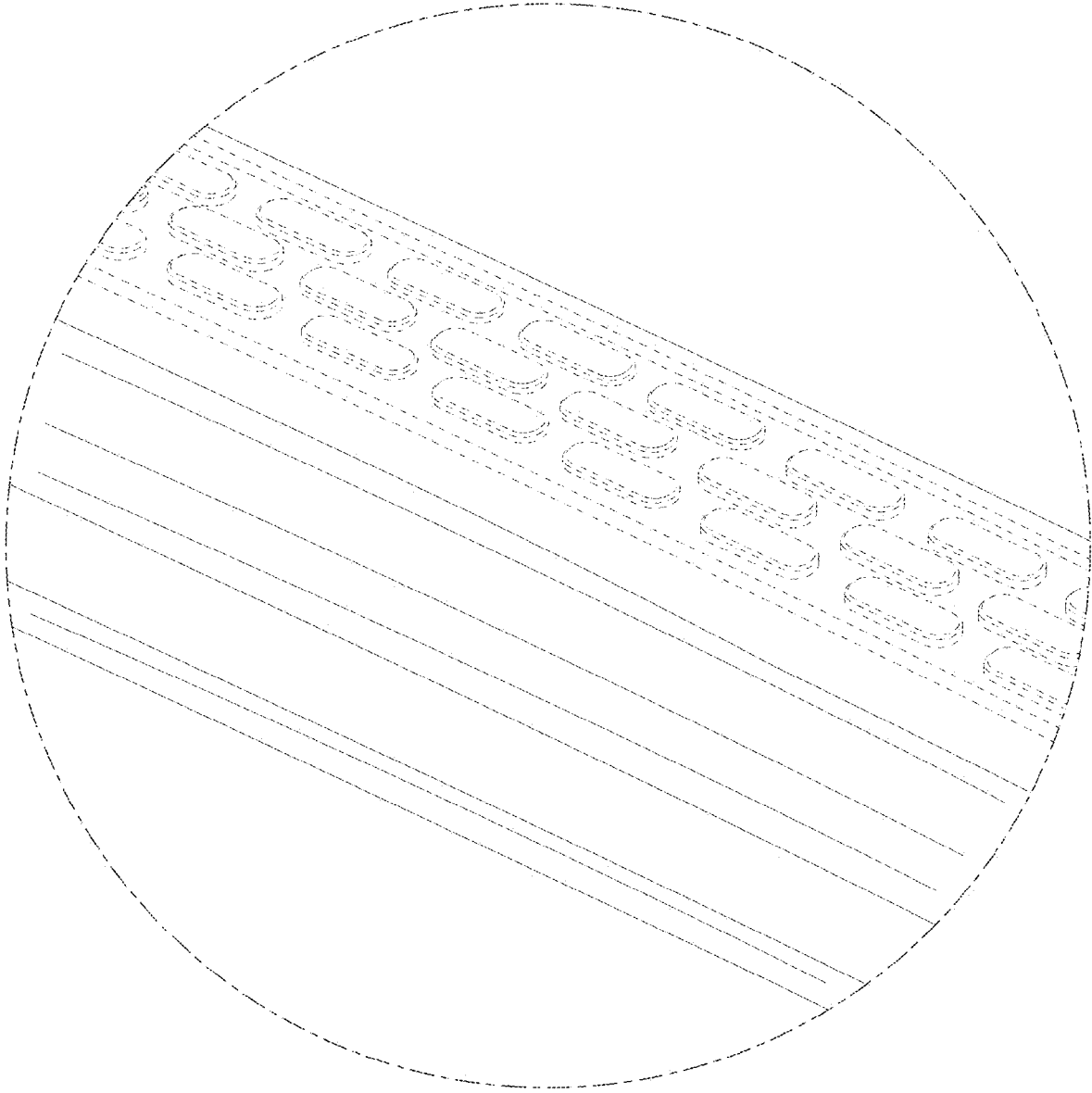


FIG. 8

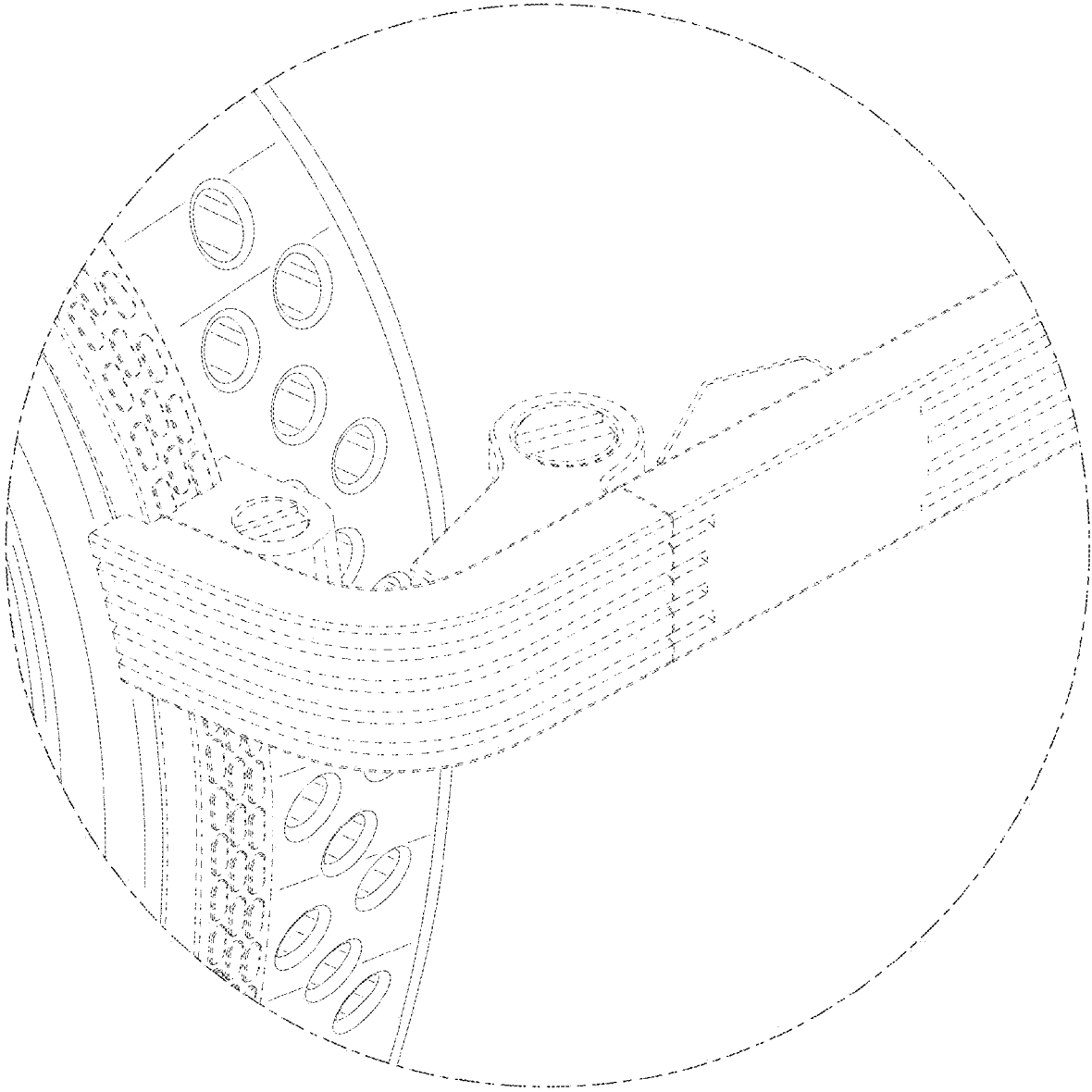


FIG. 9

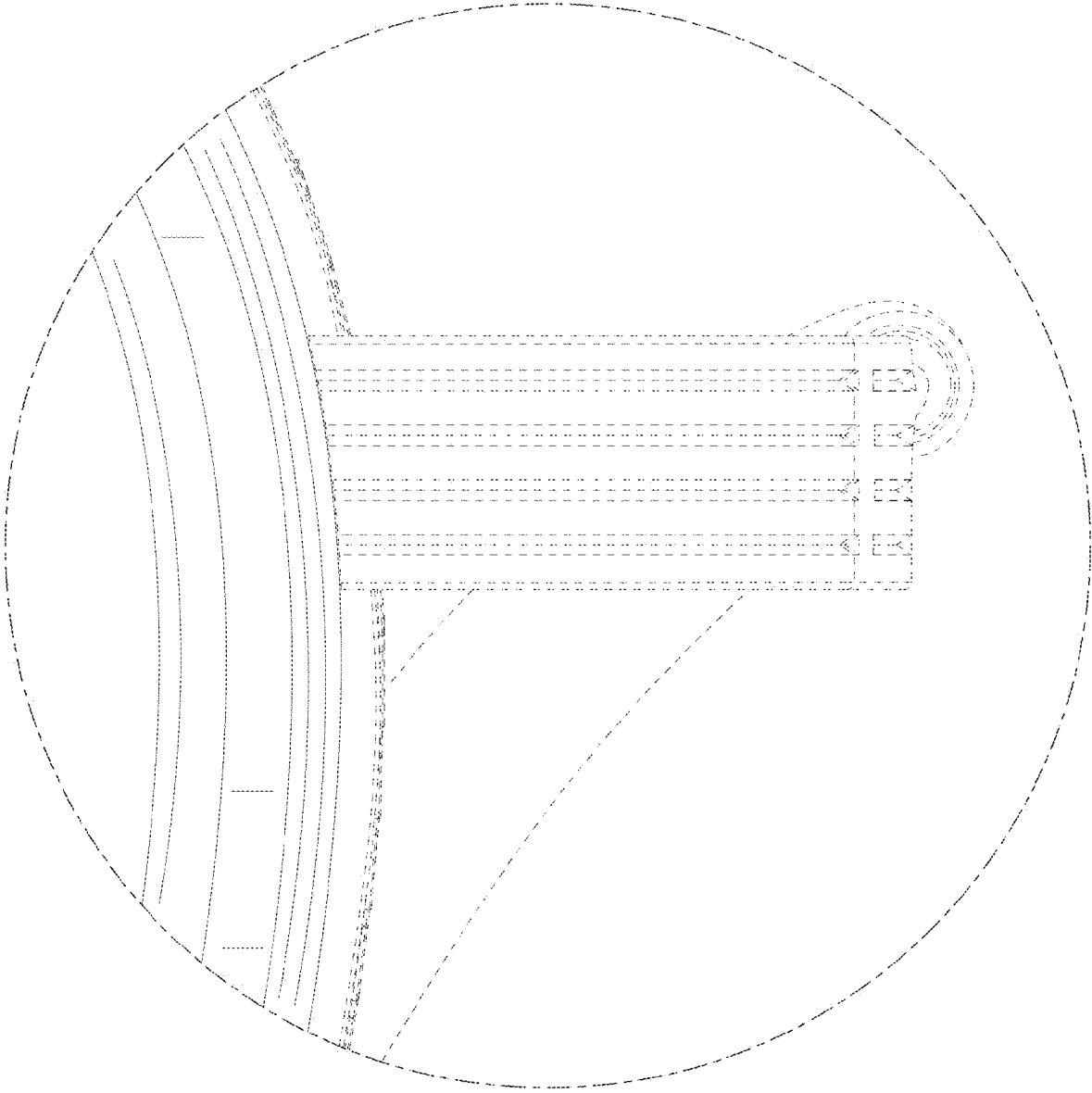


FIG. 10

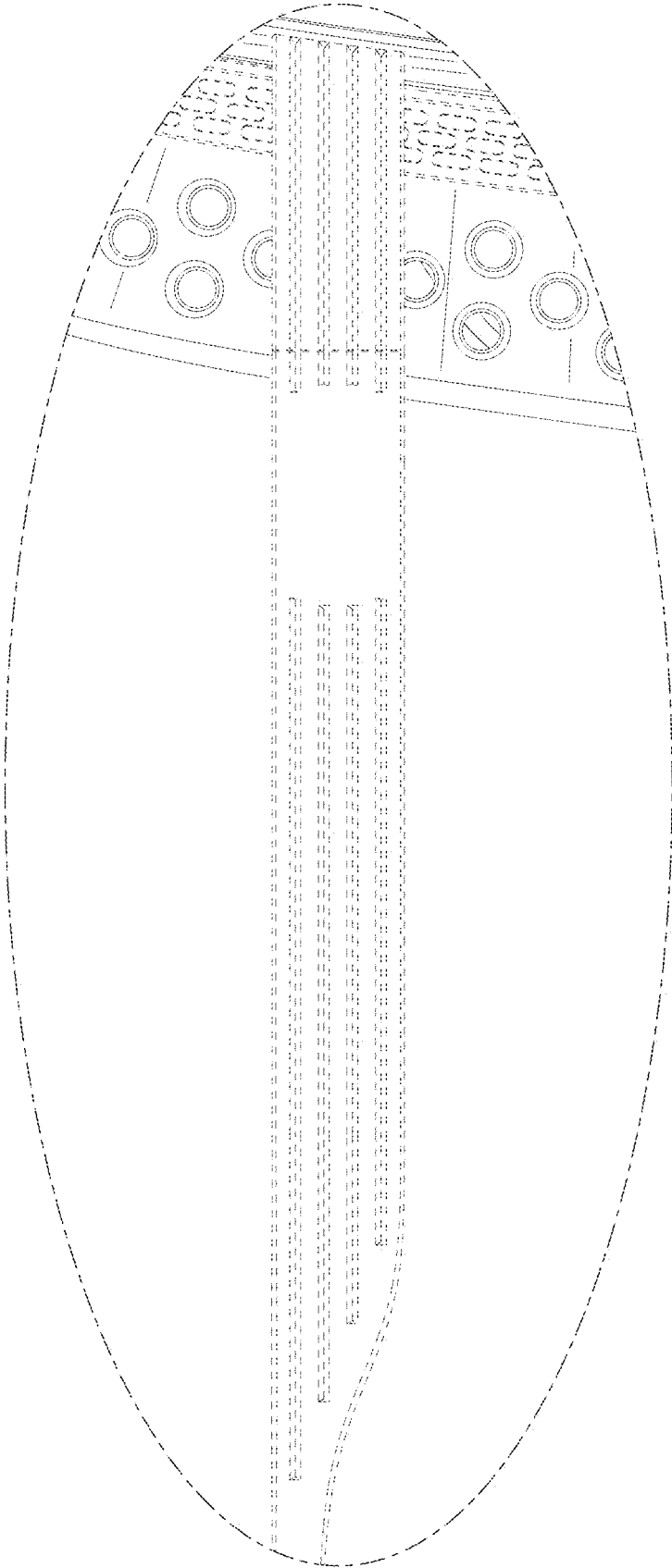


FIG. 11