



US00D979052S

(12) **United States Design Patent** (10) **Patent No.:** **US D979,052 S**  
**Heynes et al.** (45) **Date of Patent:** **\*\* Feb. 21, 2023**

(54) **FIXATION DEVICE FOR A MEDICAL TUBE**

(71) Applicant: **GBUK Group Limited**, Selby (GB)

(72) Inventors: **Mark David Heynes**, Stafford (GB);  
**Phil Anthony Sampey**, Stafford (GB);  
**William Charles Morris**, Stafford  
(GB); **Lee Thomas Smith**, Stafford  
(GB)

(73) Assignee: **GBUK Group Limited**, Selby (GB)

(\*\*) Term: **15 Years**

(21) Appl. No.: **35/512,314**

(22) Filed: **Jul. 23, 2021**

(80) **Hague Agreement Data**

Int. Filing Date: **Jul. 23, 2021**

Int. Reg. No.: **DM/215576**

Int. Reg. Date: **Jul. 23, 2021**

Int. Reg. Pub. Date: **Aug. 6, 2021**

(51) **LOC (14) Cl.** ..... **24-02**

(52) **U.S. Cl.**

USPC ..... **D24/129**

(58) **Field of Classification Search**

USPC ..... D24/127-129, 133, 108, 110.4; D8/396,  
D8/499, 394, 354, 349, 72

CPC ..... A61J 15/0026; A61J 15/0092; A61J  
15/0015; A61J 15/0065

See application file for complete search history.

(56) **References Cited**

**U.S. PATENT DOCUMENTS**

D328,346 S \* 7/1992 Dye ..... D24/129  
D586,649 S \* 2/2009 Fleischman ..... D8/396  
7,520,867 B2 4/2009 Bowman et al.  
D616,092 S \* 5/2010 Domkowski ..... D24/129  
D636,077 S 4/2011 Dale et al.  
D649,241 S \* 11/2011 Kunishige ..... D24/129  
D676,309 S \* 2/2013 Bailey ..... D8/354

D716,444 S 10/2014 Khaiaj  
D759,816 S \* 6/2016 Ingram ..... D24/137  
9,364,652 B2 6/2016 Griffith et al.  
D777,025 S \* 1/2017 Turksu ..... D14/218  
D783,160 S 4/2017 Griffith  
D783,161 S 4/2017 Griffith  
D783,162 S 4/2017 Griffith  
D783,163 S 4/2017 Griffith  
D815,277 S \* 4/2018 Eury ..... D24/129  
D859,971 S \* 9/2019 Tenander ..... D8/394  
D883,070 S \* 5/2020 Zhang ..... D8/349  
D899,241 S \* 10/2020 Gridley ..... D8/396

(Continued)

**FOREIGN PATENT DOCUMENTS**

WO WO-98/58693 A1 12/1998

**OTHER PUBLICATIONS**

APC17006 In-Line Hose Barb Coupling Body 3/8 ID Barb, APC, Fresh water systems, [Post date: Sep. 25, 2020], [Site seen Jul. 25, 2022], Seen at URL: <https://www.freshwatersystems.com/products/apc17006-in-line-hose-barb-coupling-body-3-8-id-barb> (Year: 2020).\*

*Primary Examiner* — Natasha Vujcic

*Assistant Examiner* — Gilbert G Ford

(74) *Attorney, Agent, or Firm* — Blank Rome LLP

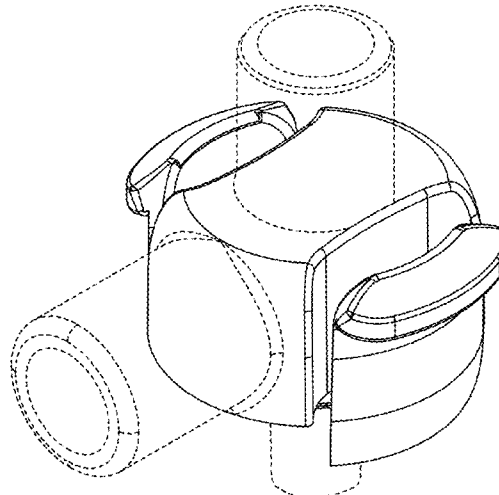
(57) **CLAIM**

The ornamental design for a fixation device for a medical tube, as shown and described.

**DESCRIPTION**

FIG. 1.1 is a front view;  
FIG. 1.2 is a rear view;  
FIG. 1.3 is a right-side view;  
FIG. 1.4 is an enlarged top view;  
FIG. 1.5 is an enlarged bottom view;  
FIG. 1.6 is a front perspective view; and  
FIG. 1.7 is an enlarged partial view of the side wing.  
The broken lines illustrate structure or features which form no part of the claimed design.

**1 Claim, 7 Drawing Sheets**



(56)

**References Cited**

U.S. PATENT DOCUMENTS

D925,033 S \* 7/2021 Uridil ..... D24/128  
11,191,941 B2 \* 12/2021 Marquis-Gravel ... A61M 39/10  
D943,407 S \* 2/2022 Buckley ..... D8/399  
D948,714 S \* 4/2022 Dadachanji ..... D24/129  
D957,630 S \* 7/2022 Punim ..... D24/127  
2020/0368115 A1 11/2020 Heynes et al.

\* cited by examiner

Figure 1.1

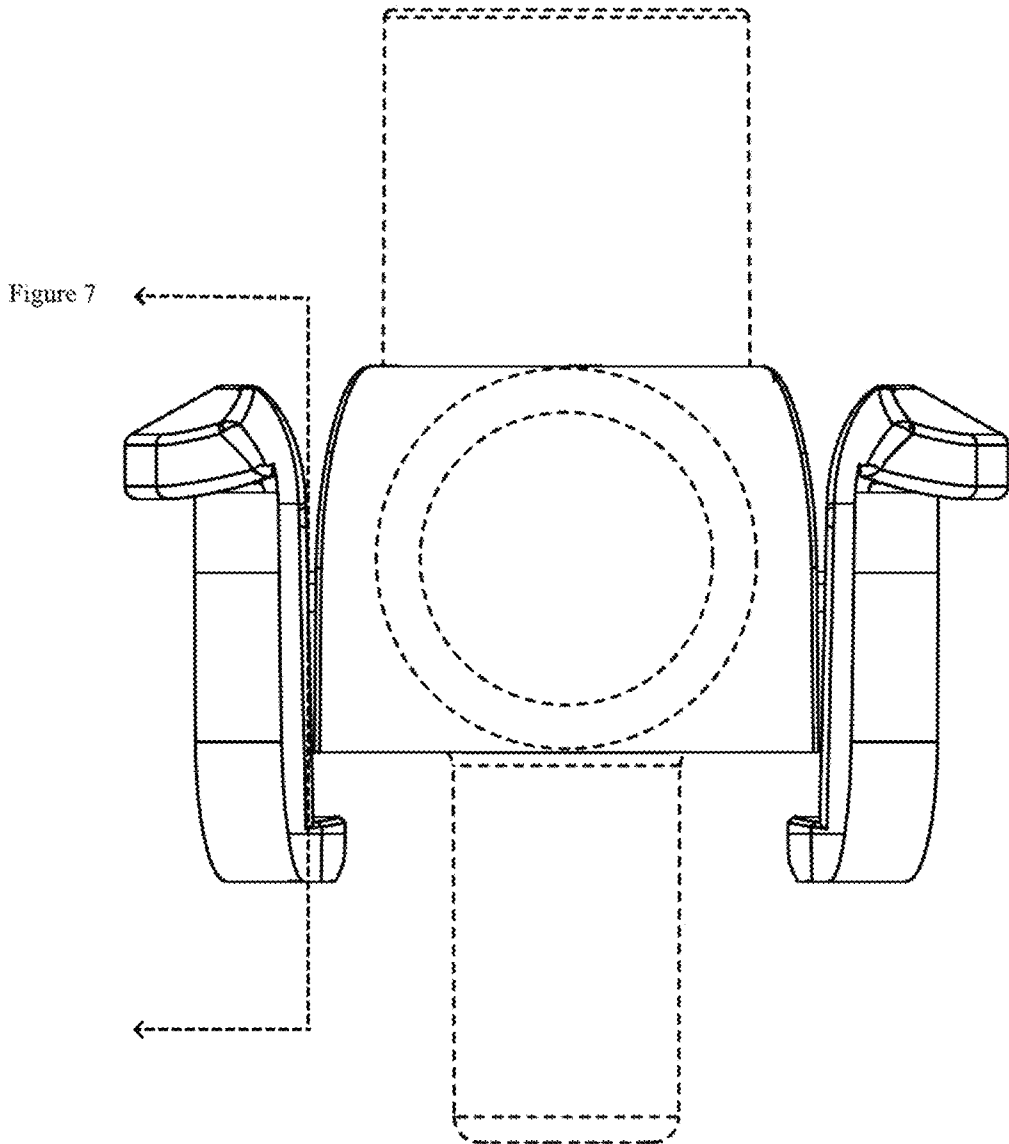


Figure 1.2

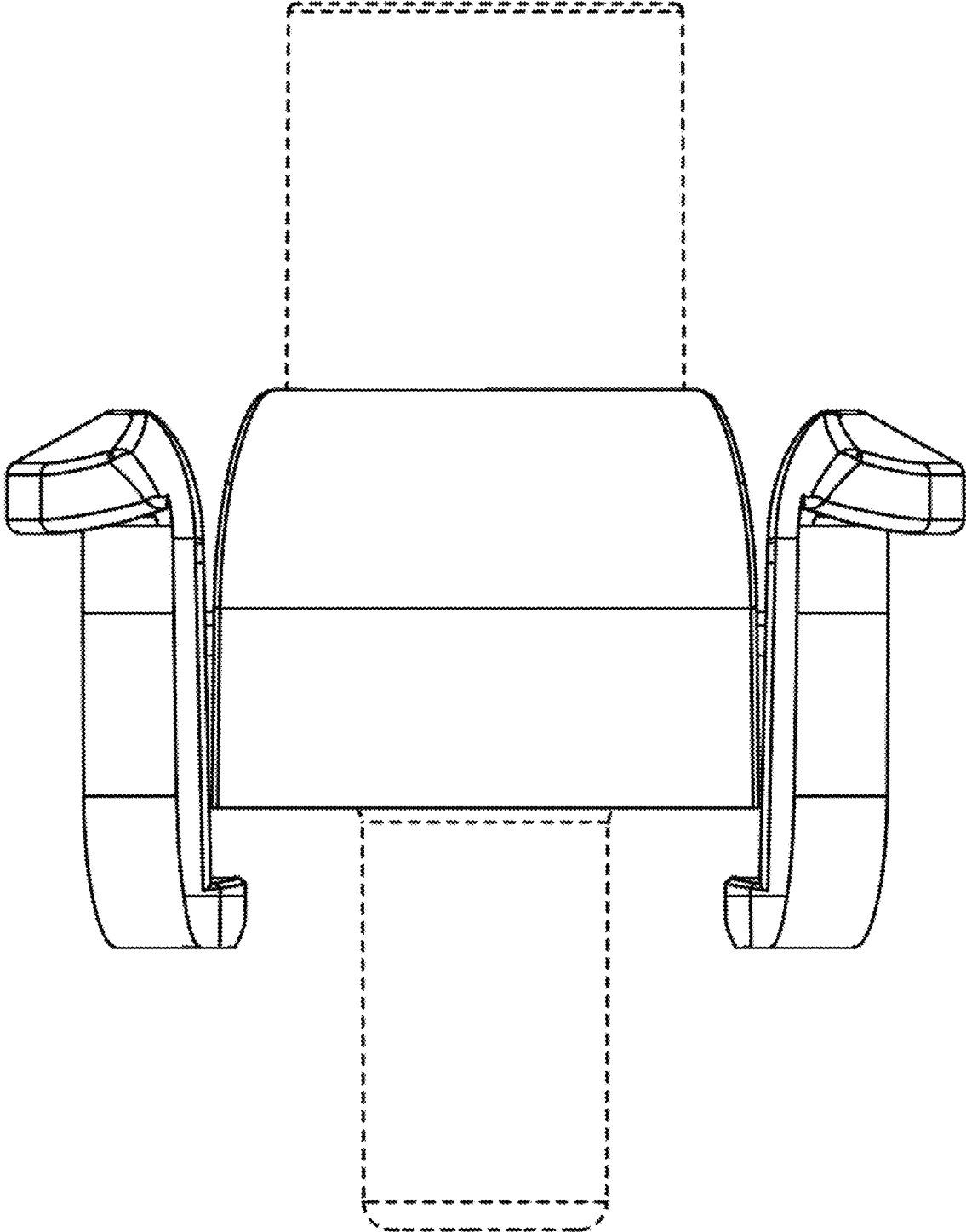


Figure 1.3

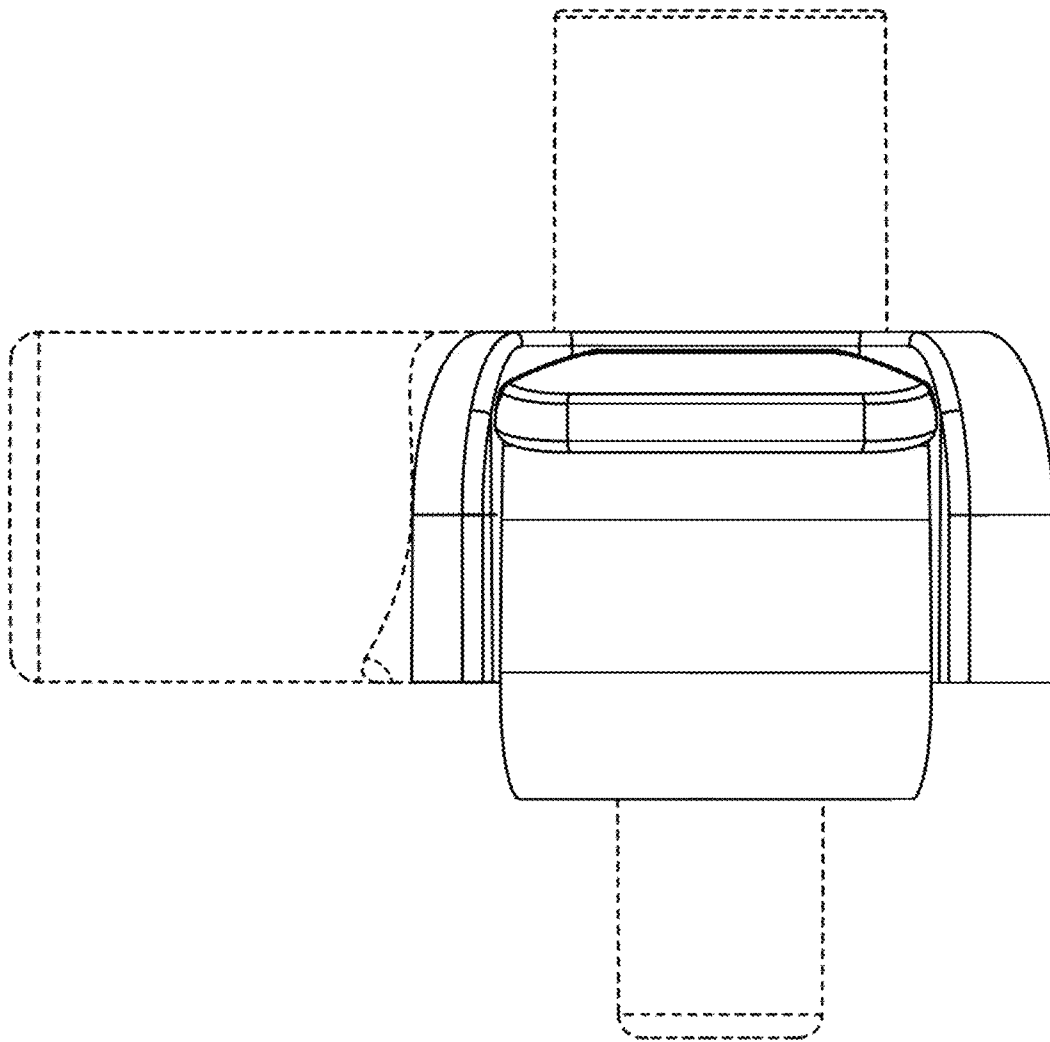


Figure 1.4

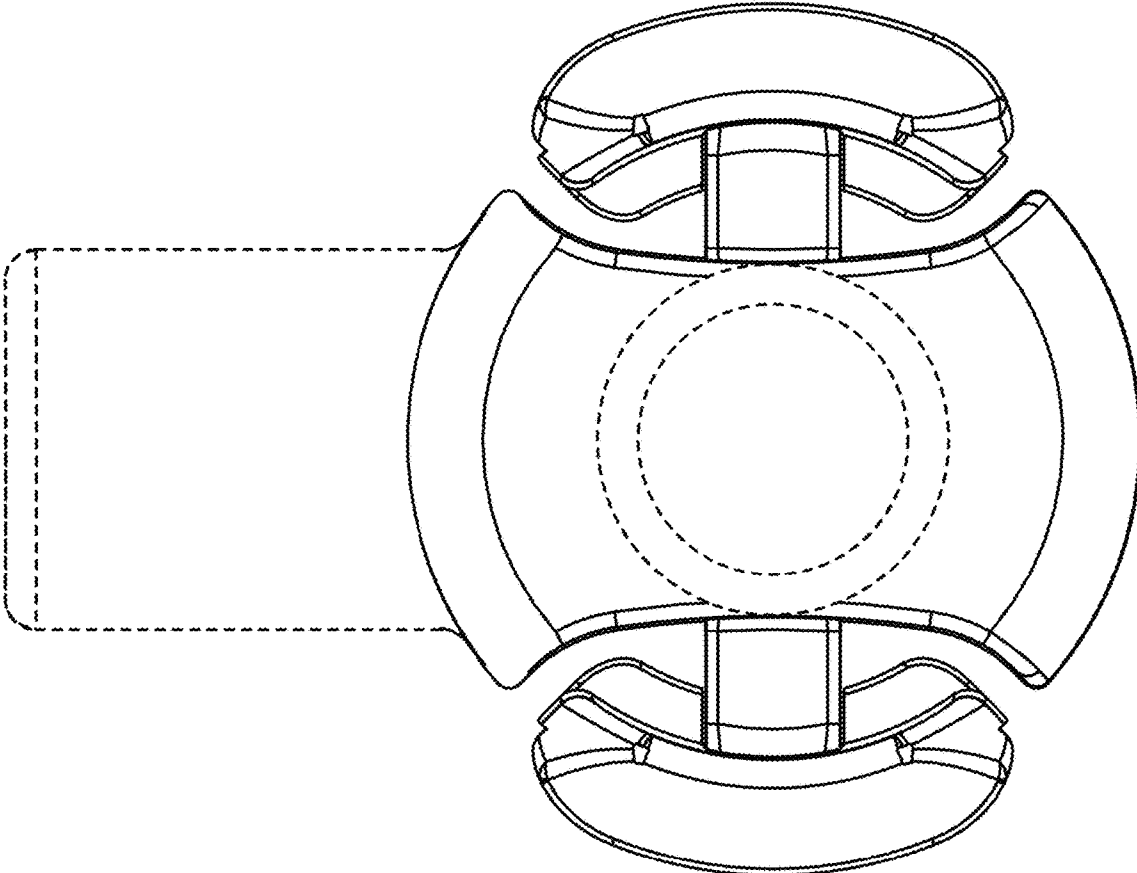


Figure 1.5

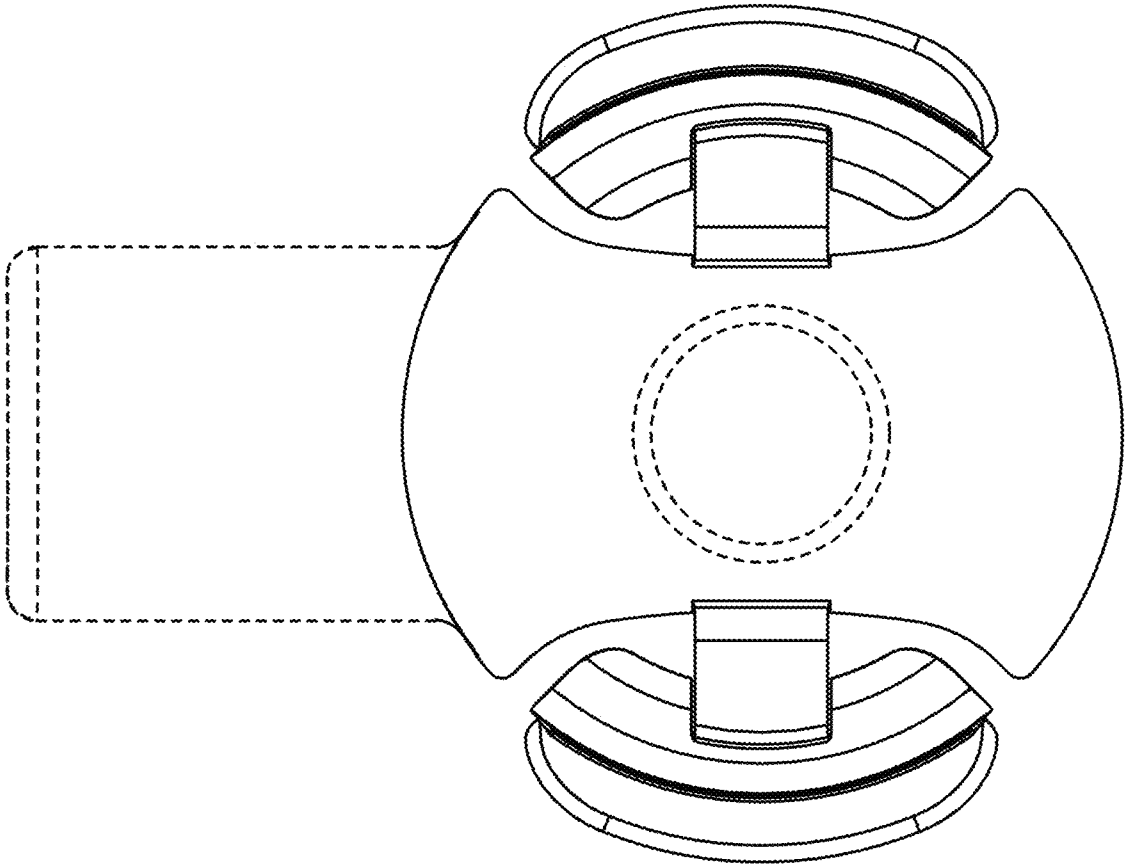


Figure 1.6

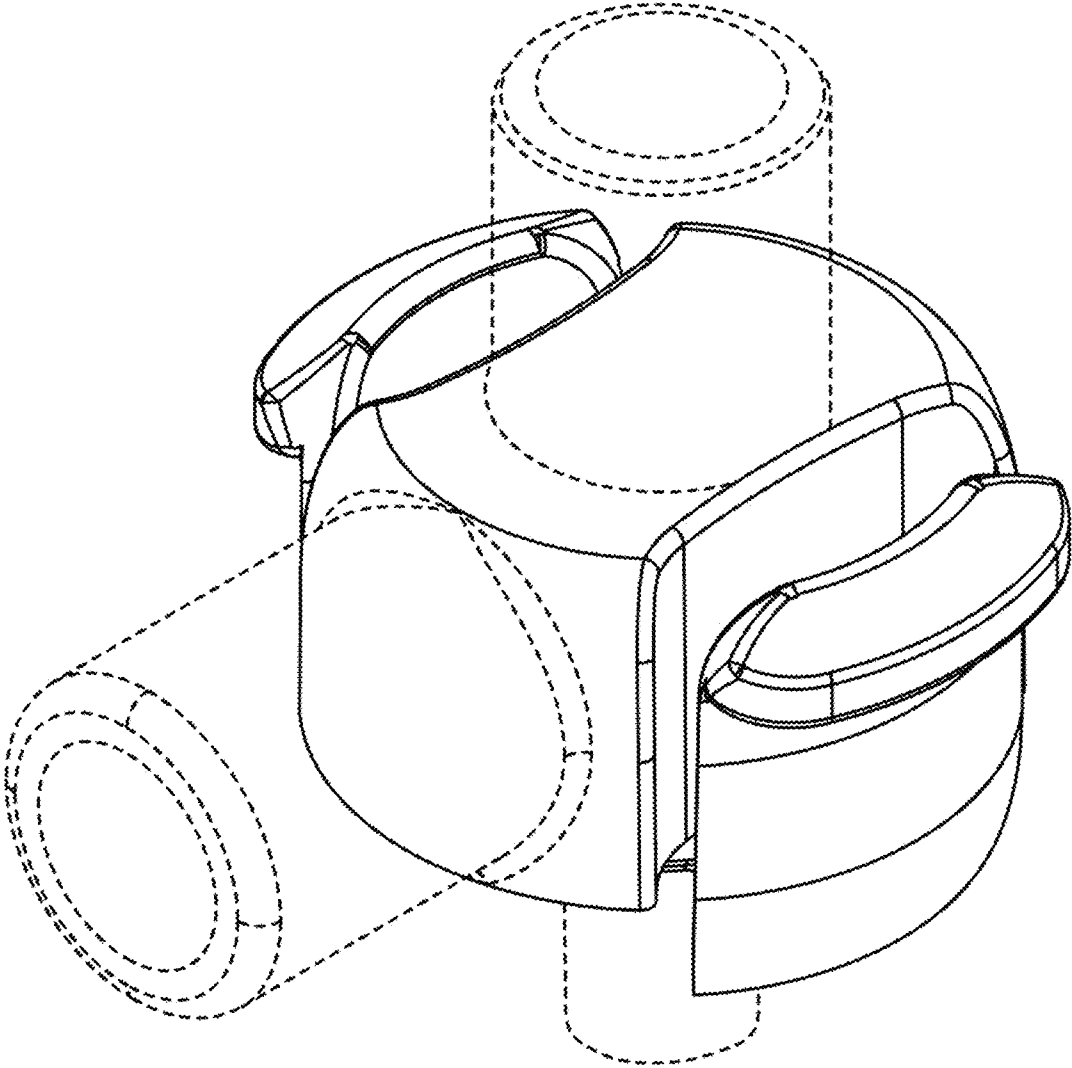




Figure 1.7

