



US00D802839S

(12) **United States Design Patent**  
**Scott**

(10) **Patent No.:** **US D802,839 S**

(45) **Date of Patent:** **\*\* Nov. 14, 2017**

(54) **E-LIQUID DISPENSING ACCESSORY FOR REFILLING ELECTRONIC CIGARETTES**

(71) Applicant: **Nerudia Limited**, Liverpool (GB)

(72) Inventor: **Kenneth Scott**, Liverpool (GB)

(73) Assignee: **Nerudia Limited**, Liverpool (GB)

(\*\*) Term: **15 Years**

(21) Appl. No.: **29/543,345**

(22) Filed: **Oct. 23, 2015**

(30) **Foreign Application Priority Data**

Apr. 24, 2015	(EM)	002688838-0002
Apr. 24, 2015	(EM)	002688838-0003
Apr. 24, 2015	(EM)	002688838-0004
Apr. 24, 2015	(EM)	002688853-0001

(51) **LOC (10) Cl.** ..... **27-99**

(52) **U.S. Cl.**  
USPC ..... **D27/194**

(58) **Field of Classification Search**  
USPC ..... D27/100, 101, 162, 163-167, 169, 170,  
D27/171, 193, 194; D23/202; D13/103  
CPC ..... A24F 47/008; A24F 47/002; A24F 15/12;  
A24F 47/00  
See application file for complete search history.

(56) **References Cited**

**U.S. PATENT DOCUMENTS**

D644,375 S *	8/2011	Zhou	D27/101
D653,803 S *	2/2012	Timmermans	D27/163

D695,450 S *	12/2013	Benassayag	D24/110.5
D720,095 S *	12/2014	Alima	D27/101
D720,496 S *	12/2014	Alima	D27/101
D725,310 S *	3/2015	Eksouzian	D27/101
D732,239 S *	6/2015	Chen	D27/101
D751,249 S *	3/2016	Chen	D27/101
D759,303 S *	6/2016	Afridi	D27/101
D760,948 S *	7/2016	Eksouzian	D27/101
2014/0290677 A1 *	10/2014	Liu	A61M 15/06 131/329
2015/0090253 A1 *	4/2015	Farrow	A24F 47/008 128/200.14
2015/0342255 A1 *	12/2015	Wu	A61M 15/06 131/329

\* cited by examiner

*Primary Examiner* — Robert M Spear

*Assistant Examiner* — Marissa J Cash

(74) *Attorney, Agent, or Firm* — McDonnell Boehnen  
Hulbert & Berghoff LLP

(57) **CLAIM**

The ornamental design for an e-liquid dispensing accessory for refilling electronic cigarettes, as shown and described.

**DESCRIPTION**

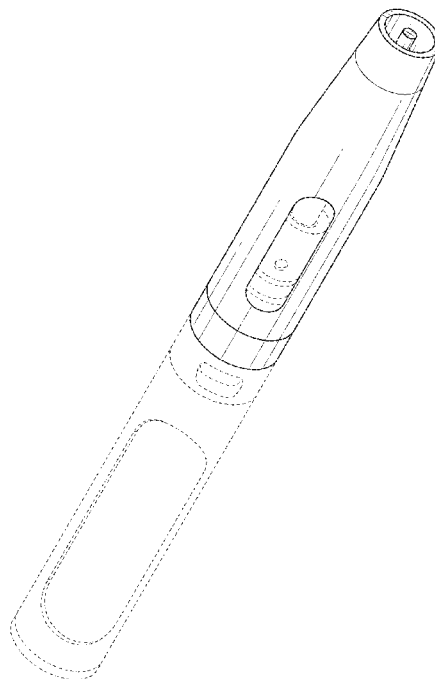
FIG. 1 is a perspective view of an e-liquid dispensing accessory for refilling electronic cigarettes of the present design;

FIG. 2 is a top view thereof;

FIG. 3 is a bottom view thereof; and,

FIG. 4 is a perspective view of the e-liquid dispensing accessory for refilling electronic cigarettes of FIG. 1, shown in an environment of use.

**1 Claim, 4 Drawing Sheets**



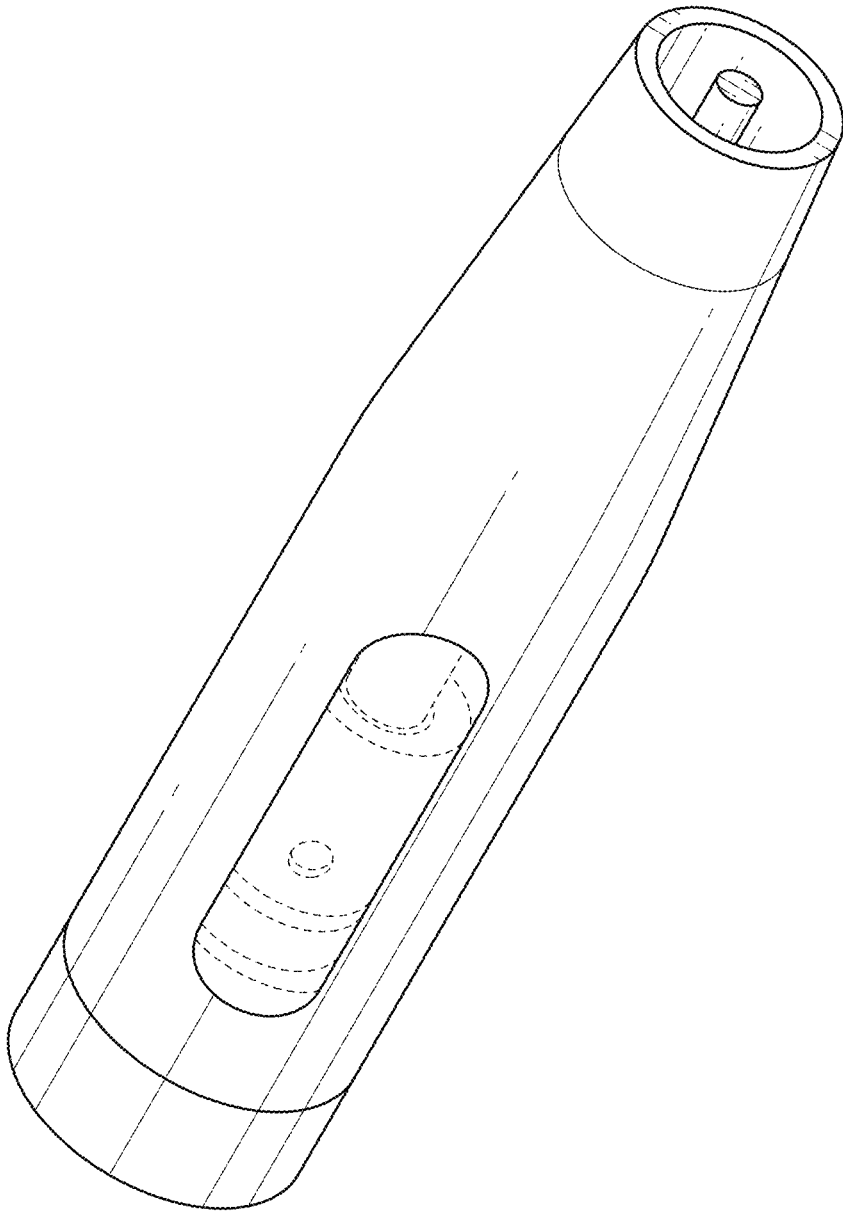


FIG. 1

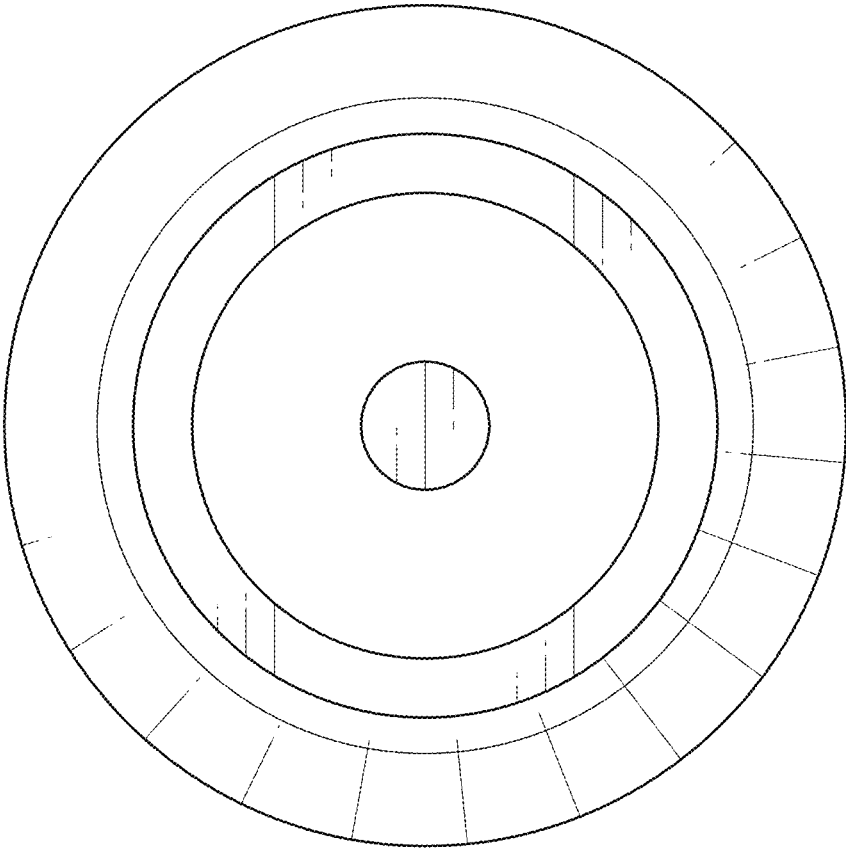


FIG. 2

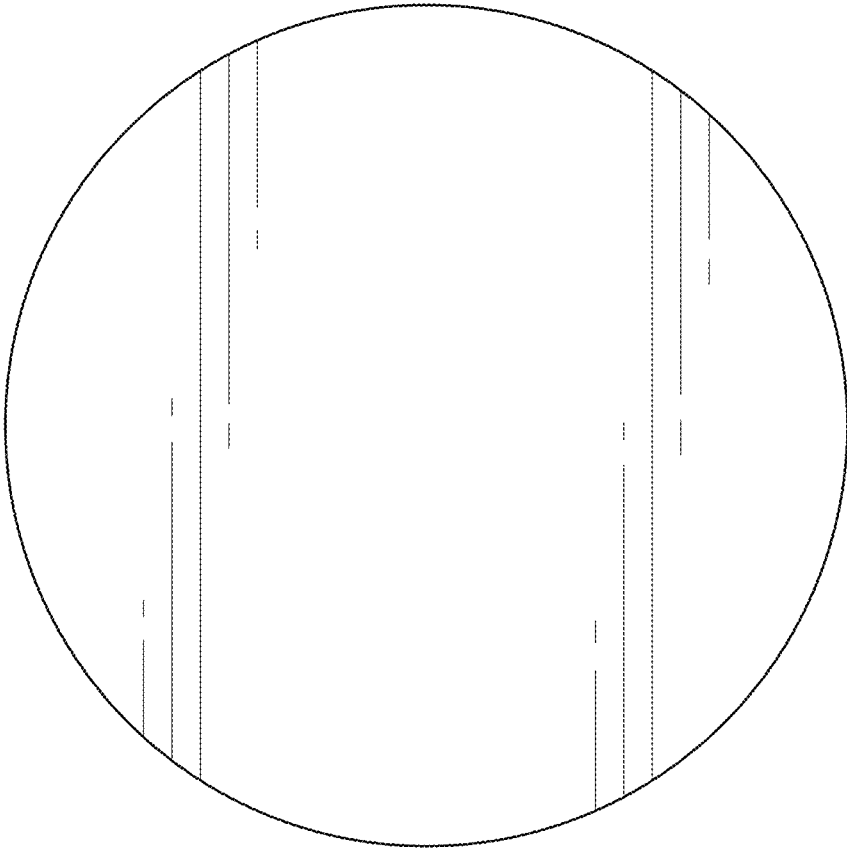


FIG. 3

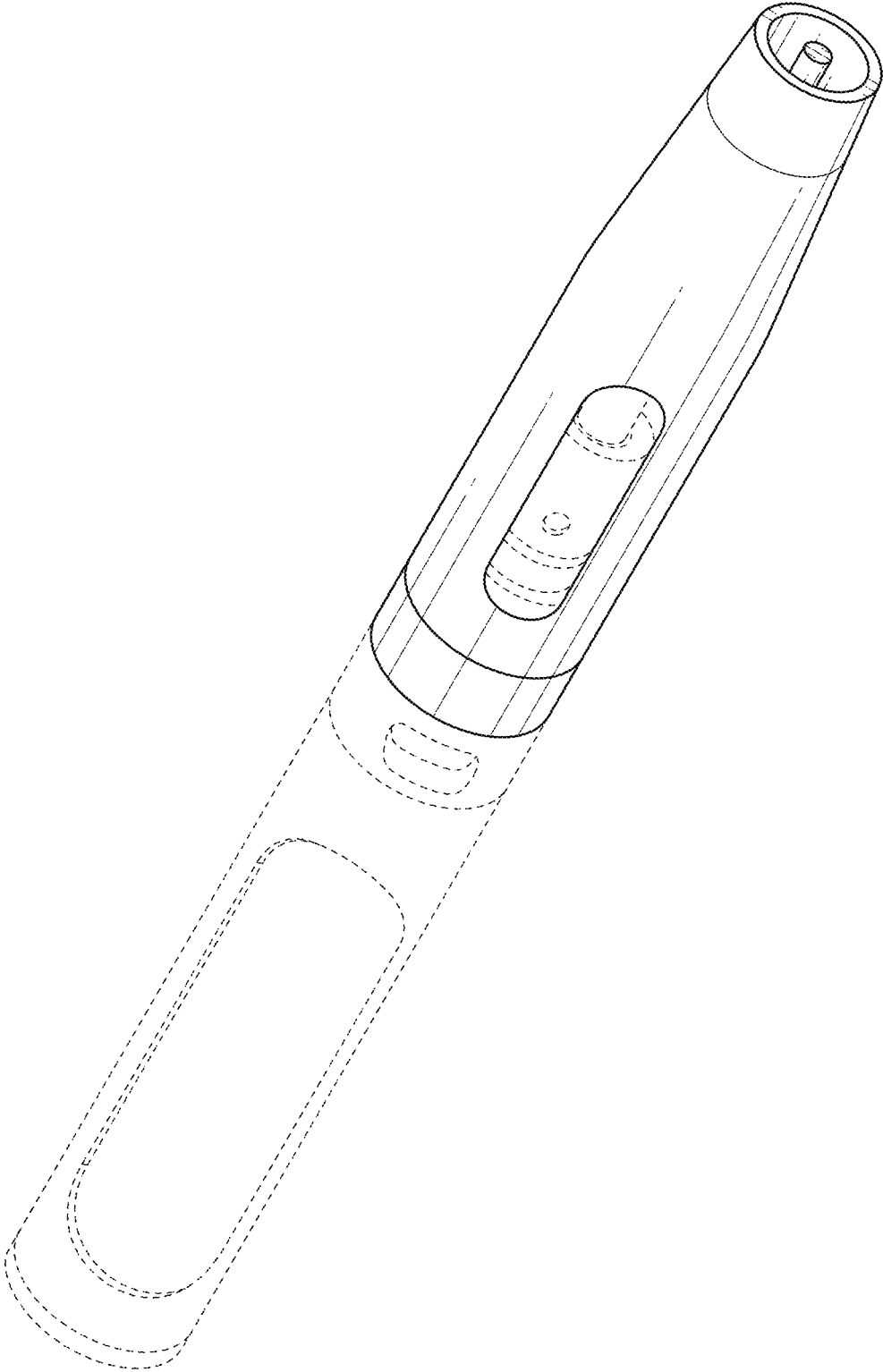


FIG. 4