

[54] BUFFER POLISHER

[75] Inventors: Robert H. Huber, Easley; Terrell L. Campbell, Salem, both of S.C.

[73] Assignee: The Singer Company, Stamford, Conn.

[**] Term: 14 Years

[21] Appl. No.: 105,048

[22] Filed: Dec. 18, 1979

[51] Int. Cl. D8-05

[52] U.S. Cl. D8/67; D8/62

[58] Field of Search 15/22 R, 23, 24, 28, 15/29, 97 R; 51/119, 170 R, 170 MT, 170 PT, 170 T, 170 TL, 177, 4; D8/61, 62, 67, 69; D15/48, 50

[56] References Cited

U.S. PATENT DOCUMENTS

D. 153,174	3/1949	Riddle et al.	D8/62
2,668,968	2/1954	Dobrowolski	15/28
3,579,915	5/1971	Satterthwaite	51/170 T X

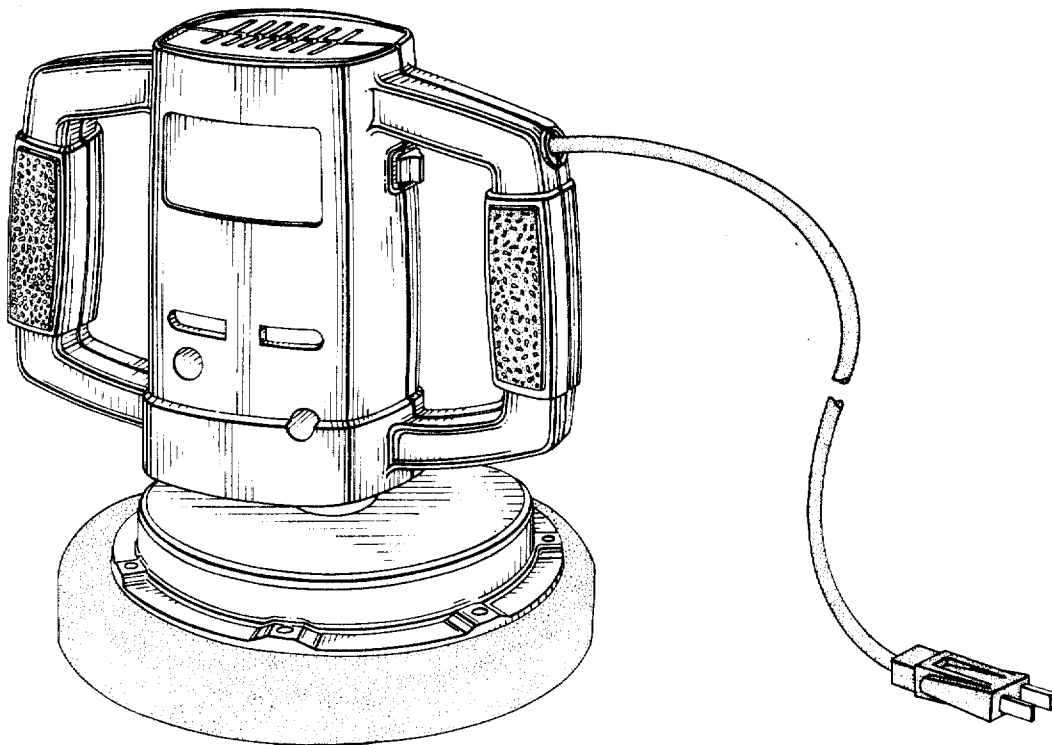
Primary Examiner—A. Hugo Word
Attorney, Agent, or Firm—Elliot A. Lackenbach; Robert E. Smith; Edward L. Bell

[57] CLAIM

The ornamental design for a buffer polisher, substantially as shown.

DESCRIPTION

FIG. 1 is a perspective illustration of a buffer polisher incorporating our new design, viewed from one side thereof; and
FIG. 2 is a perspective illustration of the buffer polisher of FIG. 1 viewed from the opposite side thereof.



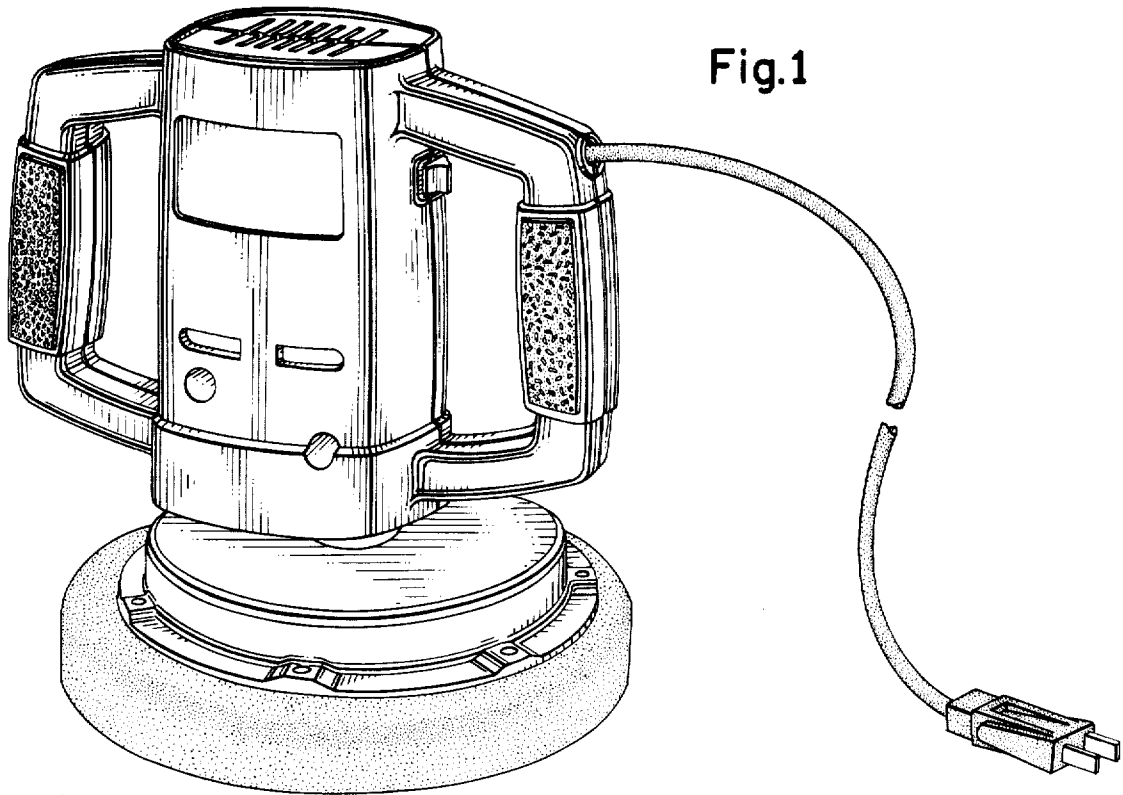


Fig.1

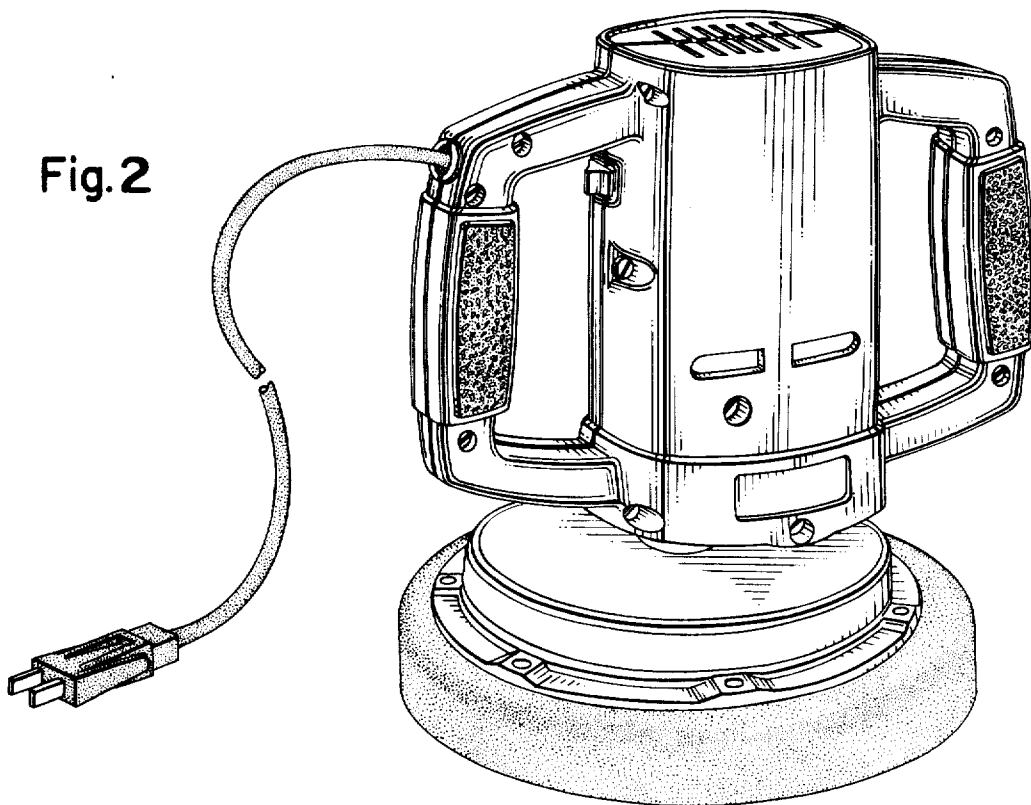


Fig.2